

Fig. 1, Push rod assembly for PML, sizes 32 to 65

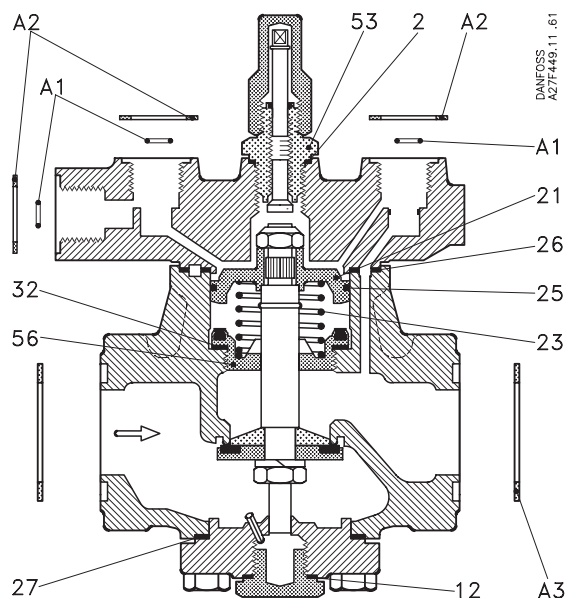


Fig. 2, PML, sizes 32 to 65

Spare parts for EVM pilot valves, see RX4XB

Description	Qty	Size 32	Size 40	Size 50	Size 65
		Code no.	Code no.	Code no.	Code no.
<b>Push rod assembly, fig. 1</b>		<b>027F0266</b>	<b>027F0267</b>	<b>027F0268</b>	<b>027F0269</b>
Pos. 1 Push rod	1				
2 Cone	1				
3 Valve plate	1				
4 Clamping plate	1				
5 Nut	1				
6 Spring washer	1				
7 Nut	1				
8 Locking ring	1				
<b>Valve plate, fig. 1</b>		<b>027F0685</b>	<b>027F0686</b>	<b>027F0687</b>	<b>027F0688</b>
Pos. 3 Valve plate	1				
<b>Manual operation, fig. 2</b>		<b>027F2130</b>	<b>027F2130</b>	<b>027F2130</b>	<b>027F2130</b>
Pos. 2 Alu gasket	1				
53 Manual operation	1				
<b>Piston ring, fig. 2</b>		<b>027F0651</b>	<b>027F0652</b>	<b>027F0653</b>	<b>027F0654</b>
Pos. 25 Piston ring	1				
<b>Piston assembly, fig. 2</b>		<b>027F2153</b>	<b>027F2154</b>	<b>027F2155</b>	<b>027F2156</b>
Pos. 21 Piston	1				
25 Piston ring	1				
<b>Main spring, fig. 2</b>		<b>027F0906</b>	<b>027F0907</b>	<b>027F0908</b>	<b>027F0909</b>
Pos. 23 Spring	1				

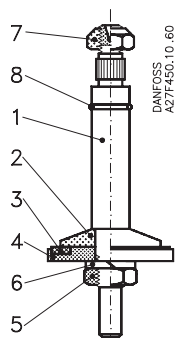


Fig. 1, Push rod assembly for PML, sizes 32 to 65

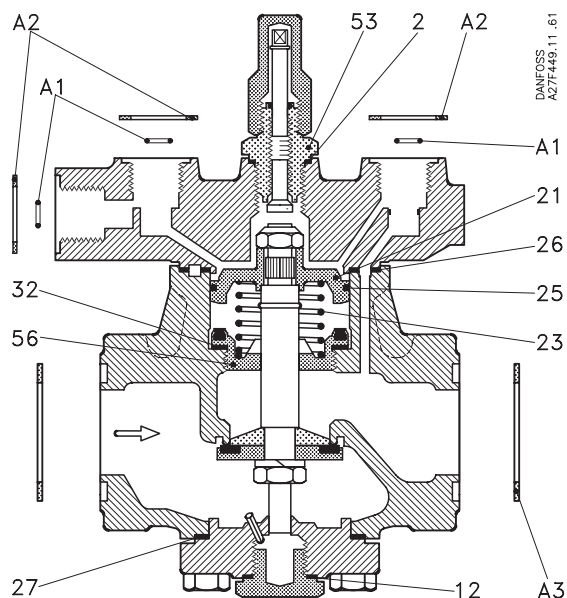


Fig. 2, PML, sizes 32 to 65

Spare parts for EVM pilot valves, see RX4XB

Description	Qty	Size 32	Size 40	Size 50	Size 65
		Code no.	Code no.	Code no.	Code no.
<b>Gasket set, fig. 2</b>		<b>027F2171</b>	<b>027F2172</b>	<b>027F2173</b>	<b>027F2174</b>
Pos. 26 Gasket	1				
27 Gasket	1				
<b>Seal kit, fig. 2</b>		<b>027F0087</b>	<b>027F0088</b>	<b>027F0089</b>	<b>027F0090</b>
Pos. 2 Alu gasket	1				
12 Gasket	1				
26 Gasket	1				
27 Gasket	1				
A1 O-ring	3				
A2 Gasket	3				
A3 Gasket	2				
<b>Intermediate plate, fig. 2</b>		<b>027F0106</b>	<b>027F0107</b>	<b>027F0108</b>	<b>027F0109</b>
Pos. 32 Gasket	1				
56 Intermediate plate	1				
<b>Flange gaskets, fig. 2</b>		<b>027F2176</b>	<b>027F2177</b>	<b>027F2178</b>	<b>027F2179</b>
Pos. A3 Gasket	2				

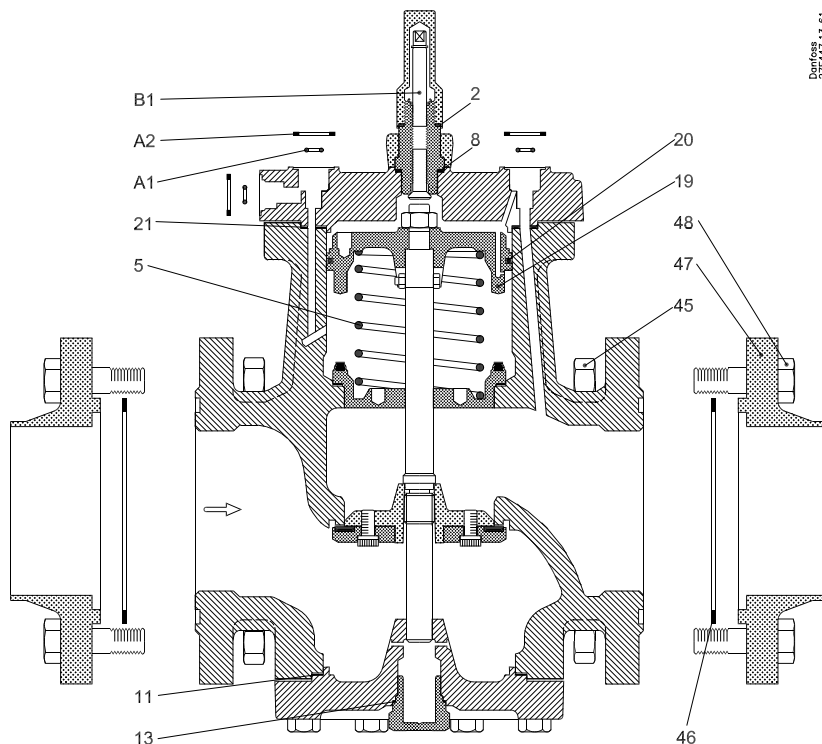
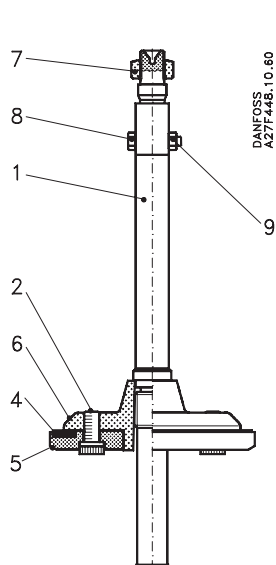


Fig. 3, Push rod assembly for PML, sizes 80 to 125

Fig. 4, PML, sizes 80 to 125

Spare parts for EVM pilot valves, see RX4XB

Description	Qty	Size 80	Size 100	Size 125
		Code no.	Code no.	Code no.
<b>Push rod assembly, fig. 3</b>		<b>027F1209</b>	<b>027F1210</b>	<b>027F1211</b>
Pos. 1 Push rod	1			
2 Screw	6			
4 Valve plate	1			
5 Clamping plate	1			
6 Cone	1			
7 Nut	1			
8 Screw	1			
9 Nut	1			
<b>Valve plate, fig. 3</b>		<b>027F0695</b>	<b>027F0696</b>	<b>027F0697</b>
Pos. 4 Valve plate	1			
<b>Manual operation, fig. 4</b>		<b>027F2134</b>	<b>027F2134</b>	<b>027F2134</b>
Pos. 8 Gasket	1			
B1 Manual operation	1			
<b>Piston ring, fig. 4</b>		<b>027F1246</b>	<b>027F1247</b>	<b>027F1248</b>
Pos. 20 Piston ring	1			
<b>Piston assembly, fig. 4</b>		<b>027F2157</b>	<b>027F2158</b>	<b>027F2159</b>
Pos. 19 Piston	1			
20 Piston ring	1			
<b>Main spring, fig. 4</b>		<b>027F2143</b>	<b>027F2144</b>	<b>027F2145</b>
Pos. 5 Spring	1			

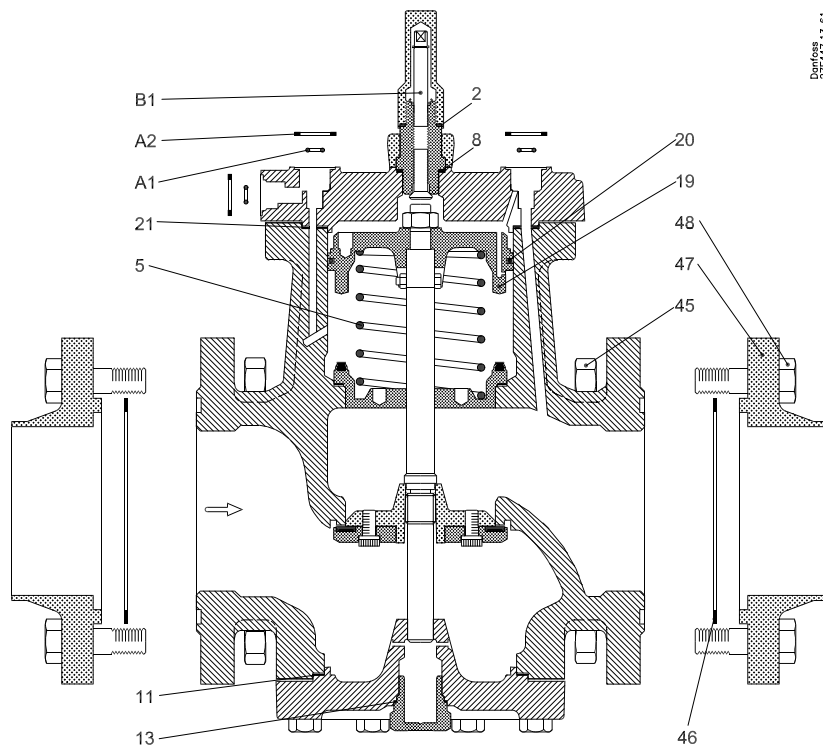
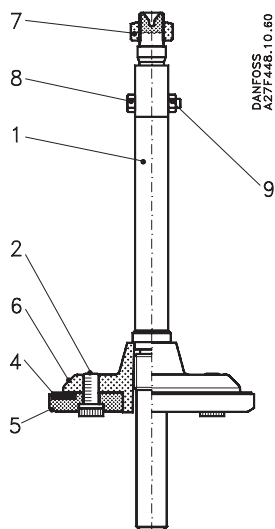


Fig. 3, Push rod assembly for PML, sizes 80 to 125

Fig. 4, PML, sizes 80 to 125

Spare parts for EVM pilot valves, see RX4XB

Description	Qty	Size 80	Size 100	Size 125
		Code no.	Code no.	Code no.
<b>Gasket set, fig. 4</b>		<b>027F2183</b>	<b>027F2184</b>	<b>027F2185</b>
Pos. 11 Gasket	1			
21 Gasket	1			
<b>Seal kit, fig. 4</b>		<b>027F1233</b>	<b>027F1234</b>	<b>027F1235</b>
Pos. 2 Alu gasket	1			
8 Gasket	1			
11 Gasket	1			
13 Alu gasket	1			
21 Gasket	1			
46 Flange gasket	2			
A1 O-ring	3			
A2 Gasket	2			
<b>Flange set, fig. 4</b>		<b>027F2123</b>	<b>027F2124</b>	<b>027F2125</b>
Pos. 47 Flange	2			
<b>Flange gaskets, fig. 4</b>		<b>027F2120</b>	<b>027F2121</b>	<b>027F2122</b>
Pos. 46 Gasket	2			
<b>Flange bolts and nuts, fig. 4</b>		<b>027F2126</b>	<b>027F2127</b>	<b>027F2128</b>
Pos. 45 Nut	16			
48 Bolt	16			

Description	Qty	Code no.
	<b>External pilot connector</b>	<b>027F1048</b>
Weld, PML 32 to PML 65, ID 12.7 mm/OD 18 mm		<b>027F1049</b>
Weld, PML 80 to PML 125, ID 12.7 mm/OD 18 mm		<b>027B2065</b>
1/4 NPT, PML 32 to PML 65		<b>027B2066</b>
1/4 NPT, PML 80 to PML 125		
Nipple assembly	1	
Damping orifice, dia. 1.0 mm	1	
O-ring	1	
Gasket	1	
	<b>Seal kit for external pilot connector</b>	<b>027F1004</b>
Alu gasket	4	
Gasket	4	
O-ring	4	