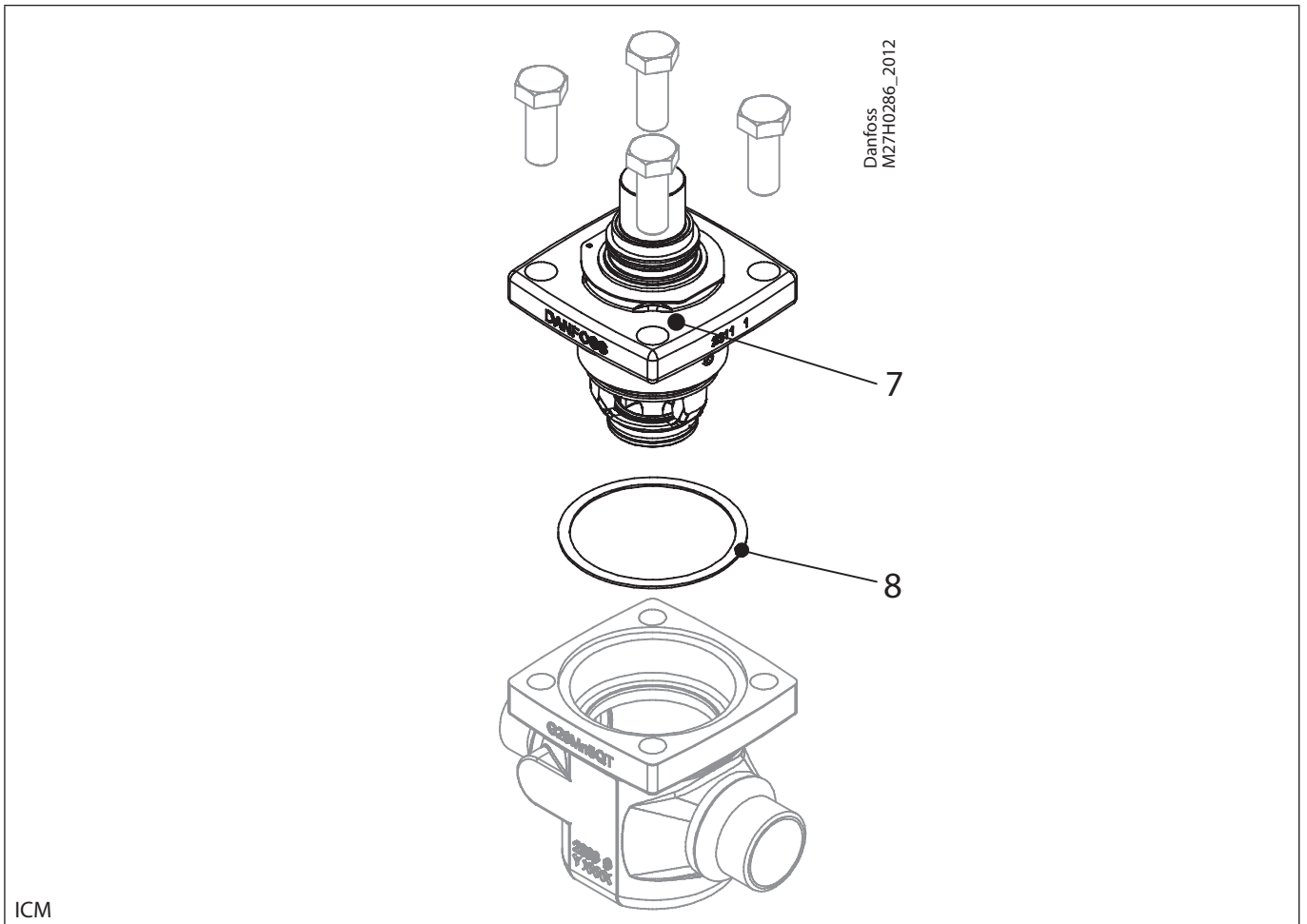


Installation guide – Spare parts and accessories

Overhaul kit | Code number 027H5180  
 ICM, size 50A



ICM

