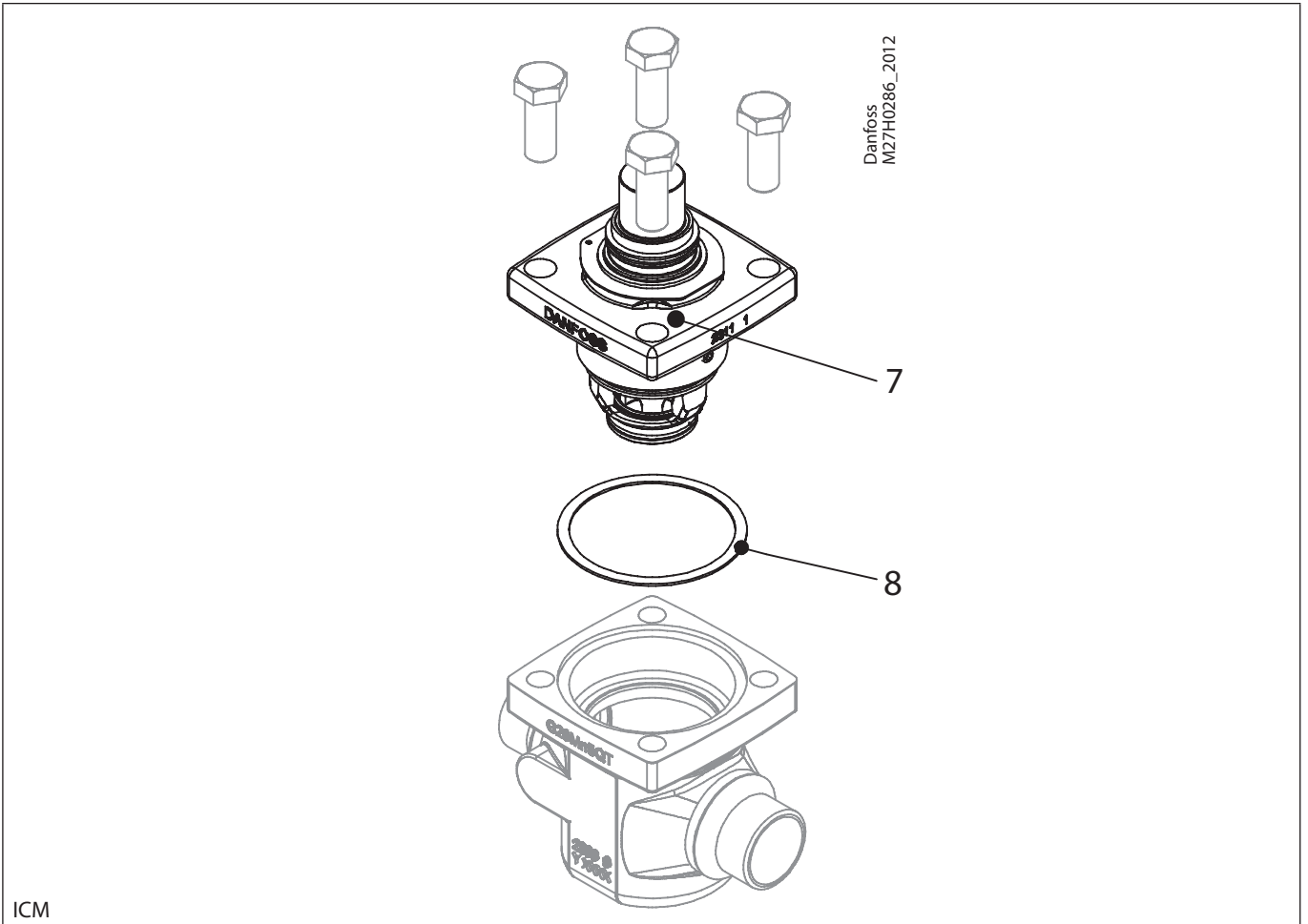


Installation guide – Spare parts and accessories

Overhaul kit | Code number 027H5181  
 ICM, size 50B



ICM

