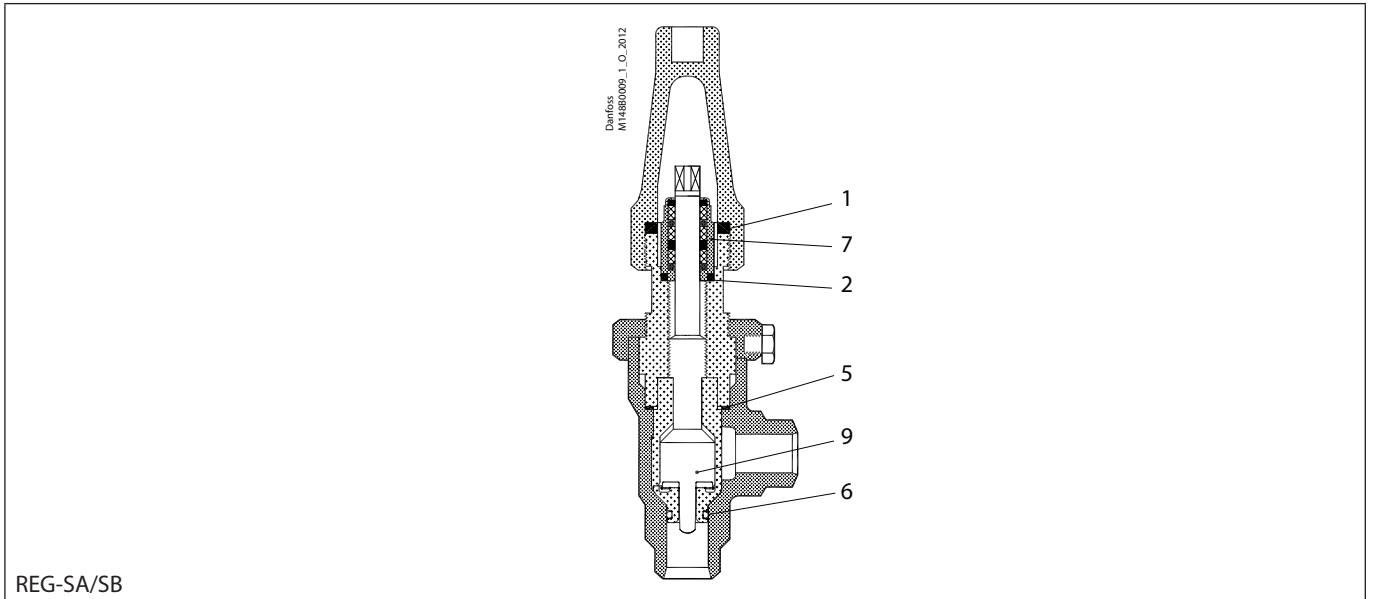


Installation guide – Spare parts and accessories

Overhaul kit | Code number 148B6174
REG-SA/SB size 10



<p>1</p> <p> = Nylon</p> <p>Total no. = 1</p>	<p>2</p> <p> = Alu.</p> <p>Total no. = 1</p>	<p>5</p> <p> = Alu.</p> <p>Total no. = 1</p>	<p>9</p> <p>Total no. = 1</p>	<p>9</p> <p>Total no. = 1</p>
<p>6</p> <p>Total no. = 1</p>	<p>7</p> <p>Total no. = 1</p>			

NOTE:
When replacing the packing gland (pos. 7) in REG-SA/B or REG the aluminium gasket (pos. 2) is needed.