

NAVAC Inc.

1099 Wall Street West, Suite 179
Lyndhurst, NJ 07071

Tel/Fax: +1 877 MY-NAVAC
877 696 2822

Info@NavacGlobal.com
www.NavacGlobal.com



Empowering you to work smarter

BREAKFREE
CORDLESS SERIES



Commercial & Industrial



Delivering unsurpassed customer value at every opportunity defines the mission of NAVAC. We empower HVAC technicians to get jobs done with more accuracy, ease and efficiency by offering highly differentiated products with leading technology and superior quality. NAVAC products include the industry's first Brushless DC-Driven Vacuum Pump, North America's first Cordless Vacuum Pump, a 2019 Dealer Design Award (DDA) Gold Winner, the world's first 4-Cylinder Digital DC Recovery Unit, a 2020 DDA Gold Winner, Smart Refrigerant Charging Machine and our unique Cordless Flaring Tools. Those award-winning, innovative tools serve contractors well in delivering unprecedented performances while saving their time and effort.
NAVAC Empowering You to Work Smarter.

NP2DLM
Cordless Vacuum Pump



Cordless · Compact · Convenient

High Performance Lithium Battery

- High capacity
- Up to 1 hour running time

Twin Cylinder

- Ultimate vacuum down to 23 microns

Brushless DC Technology

- Light weight at 8.4 lbs
- Highly efficient

Other Features

- Backflow prevention check valve
- Isolation valve

Compact Design

- Easy to carry
- Easy to store

Model	NP2DLM	
Li-ion Battery		NB1, 18V, 5Ah
Flow Rate	CFM	2
Ultimate Vacuum	micron	23
Pump Design	Dual stage	
Inlet Port	in	1/4", 3/8" flare
Oil Capacity	oz	5.1
Dimension	in	9.2 x 3.5 x 7.5
Weight	lbs	8.4 (with battery)
Accessory	Carry bag, NB1 Battery, NC2 Battery Charger	

NP4DLM
Cordless Vacuum Pump



World's Highest Capacity Cordless Vacuum Pump
Cordless · Compact · Convenient

Highest Capacity Cordless Pump

- 4CFM
- Residential and light commercial applications

Compact Design

- Easy to carry
- Easy to store

High Performance Lithium Battery

- High capacity
- Up to 1 hour running time

Twin Cylinder

- High ultimate vacuum down to 15 microns

Brushless DC Technology

- Light weight at 15.4 lbs
- Highly efficient

Other Features

- Backflow prevention check valve
- Isolation valve & Lifting hook

Model	NP4DLM	
Li-ion Battery		NBP2, 18V, 9Ah
Flow Rate	CFM	4
Ultimate Vacuum	micron	15
Pump Design	Dual stage	
Inlet Port	in	1/4", 3/8", 1/2" flare
Oil Capacity	oz	8.8
Dimension	in	12.4 x 4.4 x 9.4
Weight	lbs	15.4 (with battery)
Accessory	Carry bag, NBP2 Battery, NC2 Battery Charger	

NB1
NBP2
NAPS1
NC2
Battery Power Accessories

NB1
Battery for NP2DLM



NBP2
Battery for NP2DLM & NP4DLM



NAPS1
Power Supply Adapter

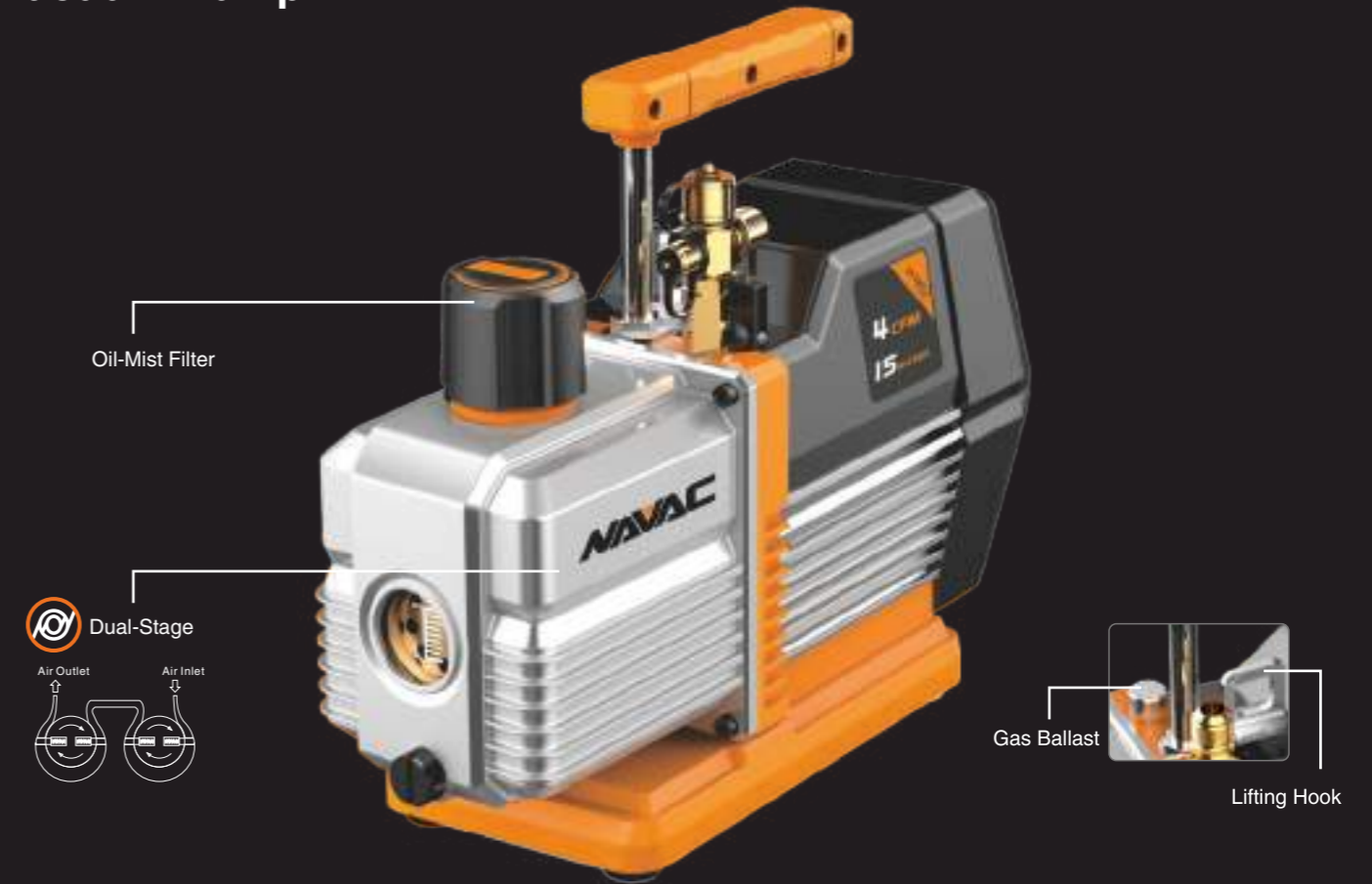


NC2
Battery Charger for NB1 & NBP2



Model	Item	Description
NB1	Battery Pack	Li-ion 18V 5.0Ah 90Wh
NBP2	Battery Pack	Li-ion 18V 9.0Ah 162Wh
NC2	Charger	Input: 100V-240V~50/60Hz 180W Output: 18V 6A
NAPS1	Power Supply Adapter	Input: 100V-240V~50/60Hz, 4.5A, 450VA Output: 21V 20A

NP4DP
Vacuum Pump



PRO
SERIES

Performance • Reliability

Dual-Stage Integrated Cylinder Design

- High ultimate vacuum
- High reliability

Forced Oil Circulation

- Improved efficiency and durability

Internal Check Valve

- Prevent oil backflow

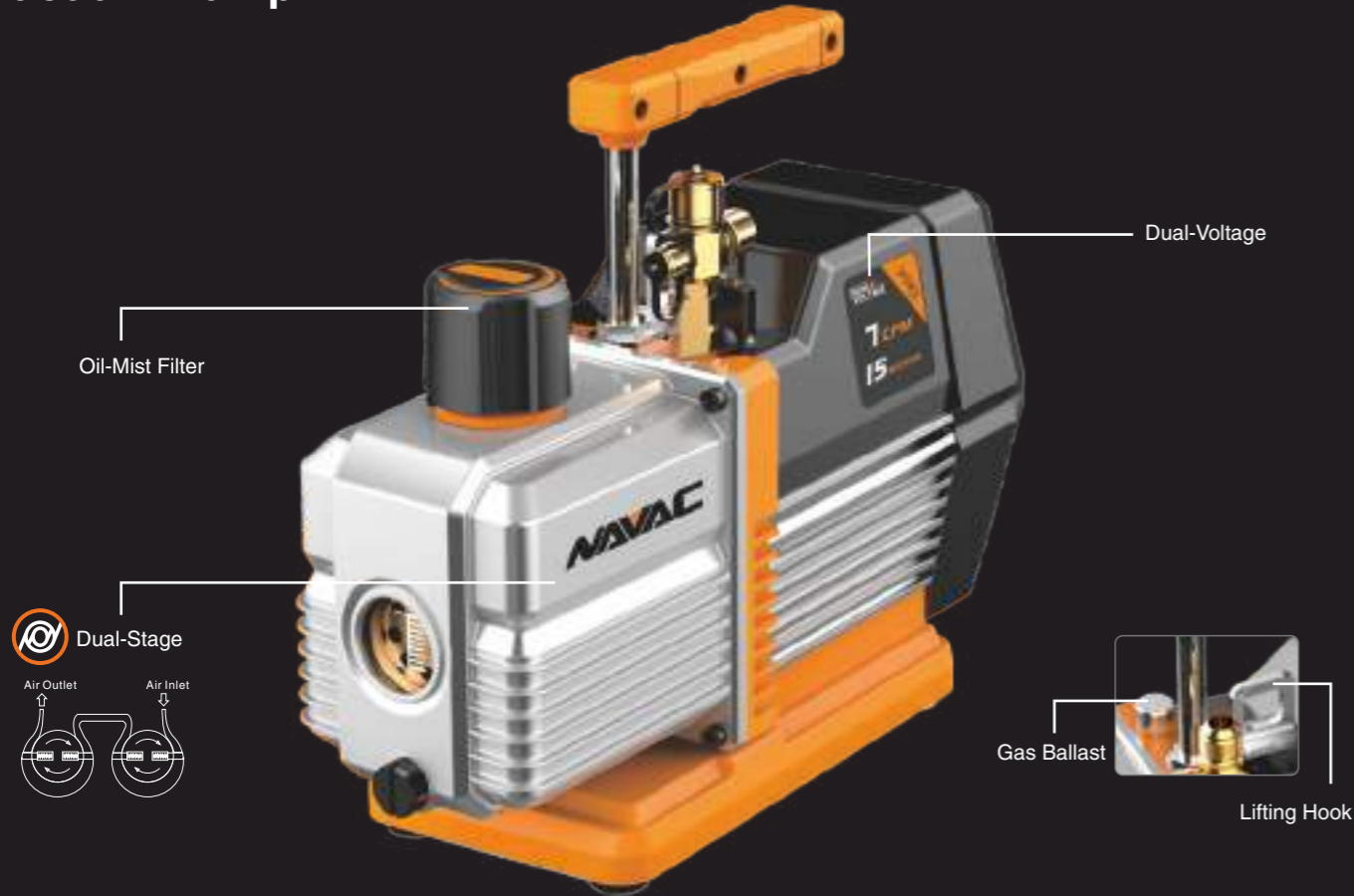
Lifting Hook

- Safe & convenient for roof top use

Model	NP4DP	
Power Supply	V / Hz	115V / 60Hz
Flow Rate	CFM	4
Run Load Amps	A	4.3
Ultimate Vacuum	micron	15
Pump Design		Dual stage
Motor Power	HP	3/4
Inlet Port	in	1/4", 3/8", 1/2" Flare
Oil Capacity	oz	17
Dimension	in	14" x 5" x 11.3"
Weight	lbs	24.3

NP7DP
Vacuum Pump

PRO
SERIES



Performance • Reliability

Dual-Voltage

- Expanded application

Dual-Stage Integrated Cylinder Design

- High ultimate vacuum
- High reliability

Lifting Hook

- Safe & convenient for roof top use

Internal Check Valve

- Prevent oil backflow

Forced Oil Circulation

- Improved efficiency and durability

Model	NP7DP	
Power Supply	V/Hz	115V / 60Hz 230V / 60Hz
Flow Rate	CFM	7
Run Load Amps	A	4A (115V), 1.8A (230V)
Ultimate Vacuum	micron	15
Pump Design		Dual stage
Motor Power	HP	3/4
Inlet Port	in	1/4", 3/8", 1/2" Flare
Oil Capacity	oz	15
Dimension	in	14" x 5" x 11.3"
Weight	lbs	26

NRP6Di
NRP8Di

Smart Evacuation

The Industry's First
Brushless DC Vacuum Pump

The era of smart refrigerant evacuation begins here with the combination of inverter, vacuum measurement and smart control in one unit, the **NRP6Di** and **NRP8Di**. The light-weight, inverter-driven, dual-stage vacuum pump delivers high-speed evacuation along with high ultimate vacuum. Vacuum measurement technology precisely measures the system pressure. A digital display provides a comprehensive view of the system's internal vacuum condition. Smart control assures the system's vacuum by automatically extending the evacuation time after the system reaches the preset vacuum level. A built-in solenoid valve prevents oil back flow and seals the system to preserve the vacuum during power outage or accidental disconnect. Upon completion of operation, the unit will beep to remind the technician that evacuation is complete, so they can move on to the next job.

Leading Technology, Superior Quality, Best Experience.

Empowering You to Work Smarter



**NRP6Di
NRP8Di**
Smart Vacuum Pump



Brushless DC with Smart Control

Brushless DC Technology

- Light
- More efficient

Smart Control

- Extended evacuation for better vacuum
- Automatic control
- Task reminder

Built-In Micron Vacuum Gauge

- Precise vacuum measurement
- Digital display

Dual-Stage

- High ultimate vacuum

Solenoid Valve

- Prevent oil backflow
- Preserve vacuum

Model		NRP6D	NRP8D
Power Supply	V/Hz	115V / 60Hz	115V / 60Hz
Flow Rate	CFM	6	8
Ultimate Vacuum	micron	15	15
Pump Design		Dual stage	Dual stage
Motor Power	HP	3/4	3/4
Inlet Port	in	1/4", 3/8", 1/2" Flare	1/4", 3/8", 1/2" Flare
Oil Capacity	oz	17.6	17.6
Dimension	in	14 x 5.3 x 11.9	14 x 5.3 x 11.9
Weight	lbs	25.35	25.35

NP12DM
Vacuum Pump

Suitable for evacuation of large commercial refrigeration, central AC systems. With industrial grade technology, NP12DM solves the problems of long-time evacuation and inadequate vacuum level in working with large HVAC systems. The dual stage rotary vane pump and DC inverter motor lead to faster evacuation and a deeper vacuum. Integrated pump cylinder and built-in oil backflow prevention assure the superior performance and reliability. The combination of enhanced technology and aesthetic design make NP12DM a top class product.

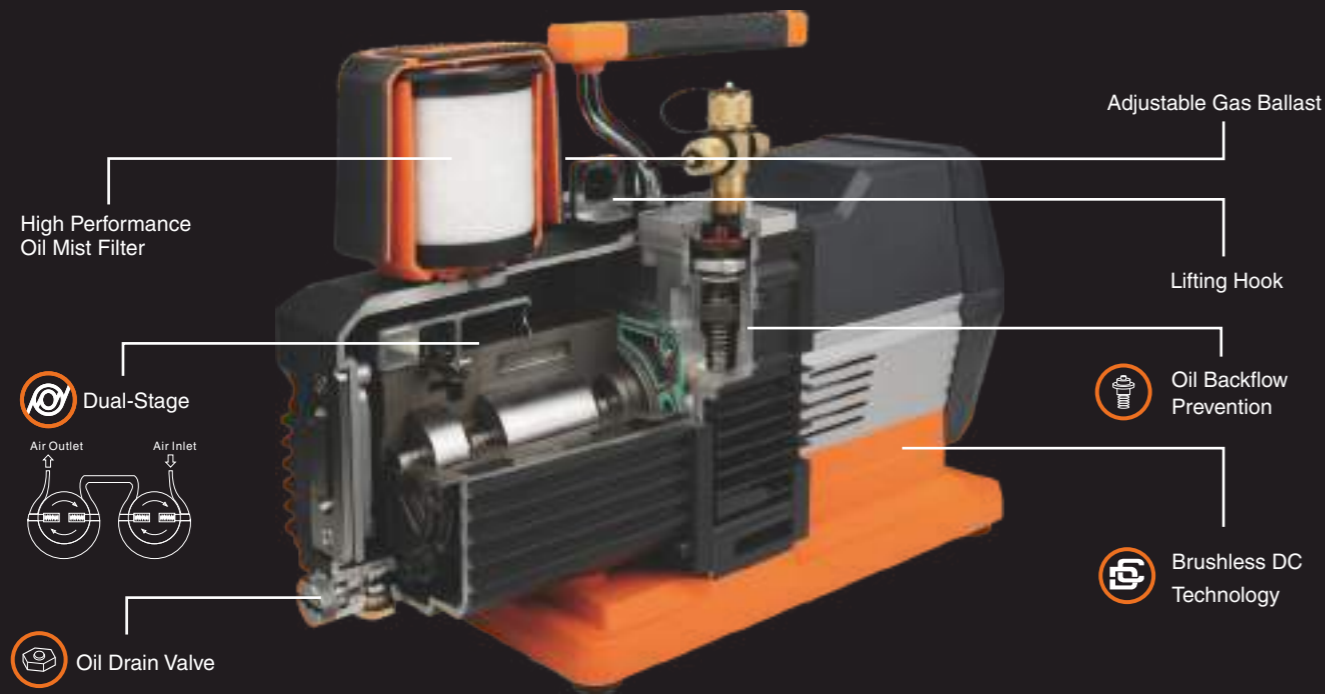
Leading Technology, Superior Quality, Best Experience.

Empowering You to Work Smarter



NP12DM
Vacuum Pump

5 micron **12** CFM



NP12DA1
Ammonia Vacuum Pump

5 micron **12** CFM

NEW



Indoor Application



Fast • Robust • Powerful

Industrial Grade Design

- High quality, super high vacuum
- High evacuation performance

Oil Backflow Prevention

- No system oil contamination during power failure

Brushless DC Technology

- Light
- More efficient

Oil Drain Valve

- Ball valve design, easier to drain

Integrated Dual-Stage Pump

- High vacuum level down to 5 microns

Large Oil Sight Glass

- Better view of oil level

Model		NP12DM
Power Supply	V/Hz	115V / 60Hz
Flow Rate	CFM	12
Ultimate Vacuum	micron	5
Pump Design		Dual stage
Motor Power	HP	1/2
Inlet Port	in	1/4", 3/8", 1/2" Flare
Oil Capacity	oz	28
Dimension	in	16.3 × 6 × 12.1
Weight	lbs	32

Robust and Corrosion Resistant

Corrosion Resistant for Ammonia (R-717)

- Special corrosion resistant pump parts
- Stainless steel inlet port

Ignition-Proof Design

- Electronic starter for ignition prevention

Brushless DC Technology

- Light
- More efficient

Oil Drain Valve

- Ball valve design, easier to drain

Industrial Grade Design

- Super high vacuum level down to 5 microns
- Heavy duty for industrial applications

Large Oil Sight Glass

- Better view of oil level

Model		NP12DA1
Power Supply	V/Hz	115V / 60Hz
Flow Rate	CFM	12
Ultimate Vacuum	micron	5
Pump Design		Dual stage
Motor Power	HP	1/2
Inlet Port	in	KF25
Oil Capacity	oz	28
Dimension	in	16.3 × 6 × 12.1
Weight	lbs	32
Accessory		KF25 (for indoor application)

**VO1Q
VO1G
Vacuum Pump Oil**



Premium Oil

Widely Applicable

- Suitable for most vacuum pumps available in the market

High Quality

- Clean and free of contaminants

Model	VO1Q	VO1G
Capacity	1 Liquid Quart	1 Liquid Gallon

**NRD16T
Vacuum Pump**



**Suitable for Heavy Commercial Applications
Industry-Leading Ultimate Vacuum down to 3 Microns
Fast Evacuation with Power and Reliability**

Adjustable Gas Ballast Valve

Oil Backflow Prevention

Integrated Cylinder Structure

Forced Oil Circulation

Model	NRD16T	
Flow Rate	CFM	12
Ultimate Vacuum	micron	3
Ultimate Vacuum Gas Ballast	micron	6
Water Vapor Capacity	lbs/h	0.7
Motor Power	hp	1
Oil Capacity	Quart	1.6
Inlet and Exhaust Flange		Inlet KF16 Exhaust KF25
Noise Level	dB	58
Net Weight	lbs	98 (with cart)
Dimensions	in	20.5 x 7.4 x 10.7
Accessory		Cart, NPO68 Pump Oil, NOT30B Oil Mist Filter, Adapter, KF16 & KF25 Clamps

**NRD24M
NRD30M
Vacuum Pump**



Fast • Powerful • Reliable

Adjustable Gas Ballast Valve

Oil Backflow Prevention

Integrated Cylinder Structure

Forced Oil Circulation

Corrosion-Resistant

Model		NRD24M	NRD30M
Flow Rate	CFM	18	23
Ultimate Vacuum	micron	3	3
Ultimate Vacuum Gas Ballast	micron	6	6
Water Vapor Capacity	lbs/h	1.1	1.1
Motor Power	hp	1.5	1.5
Oil Capacity	Quart	2.1	2.1
Inlet and Exhaust Flange		Inlet KF25 Exhaust KF25	Inlet KF25 Exhaust KF25
Noise Level	dB	58	58
Net Weight	lbs	77	77
Dimensions	in	20.5 x 7.4 x 10.7	20.5 x 7.4 x 10.7
Accessory		NPO68 Pump Oil, Adapter, KF25 Clamp	

**CART1
NOT30B
NPO68
Industrial Pump Accessories**

**CART1
Cart for NRD16T/24M/30M**



**NOT30B
Oil Mist Filter for NRD16T/24M/30M**



**NPO68
Industrial Grade Vacuum Pump Oil
1 Liquid Quart**





Empowering you to work smarter

The Industry's First Smart Refrigerant Charging Machine

NRC62D Smart Charging

Automatic operation for easy, reliable evacuation and refrigerant charging



MASTER SERIES



2020
DEALER DESIGN
AWARDS
theNEWS | BRONZE

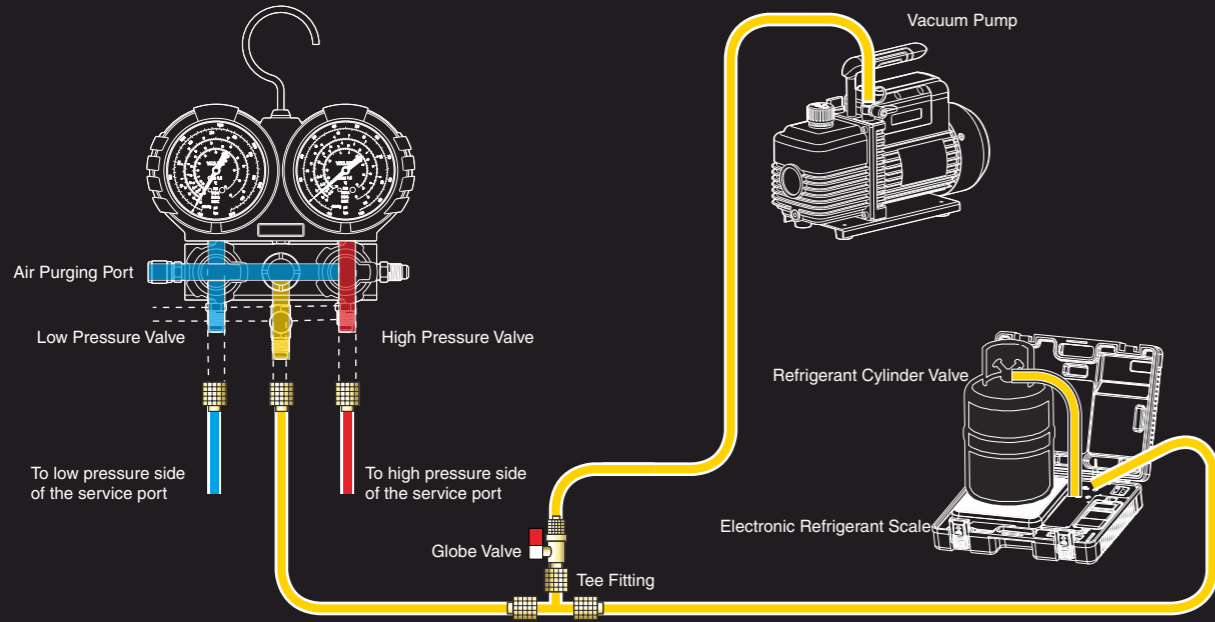
The industry's first smart charging machine, with never before seen features and advanced technology, NAVAC brings smart charging products to the HVAC industry. Conventional refrigerant charging operations use vacuum pump, manifold gauges, electronic charging scale, refrigerant tubing and other connection devices. It is dependent on the technician's experience level and judgement to evacuate and charge refrigeration systems. The conventional method is inconvenient, labor intensive, and it is difficult to ensure accuracy of the refrigerant charge.

The high-power twin-cylinder vacuum pump, with ultra-high vacuum capability, rapidly evacuates the system to the preset vacuum level. The smart control precisely measures the system's vacuum and digitally displays the vacuum level. After reaching the preset vacuum level, it automatically conducts the dry operation and leak detection. When the unit confirms the system is under proper conditions, the smart control automatically starts the charging function with precise control of the predetermined refrigerant charge, and turns off the system once charging is complete. The NAVAC smart charging machine enables you to automatically, accurately, and efficiently complete HVAC system charging.

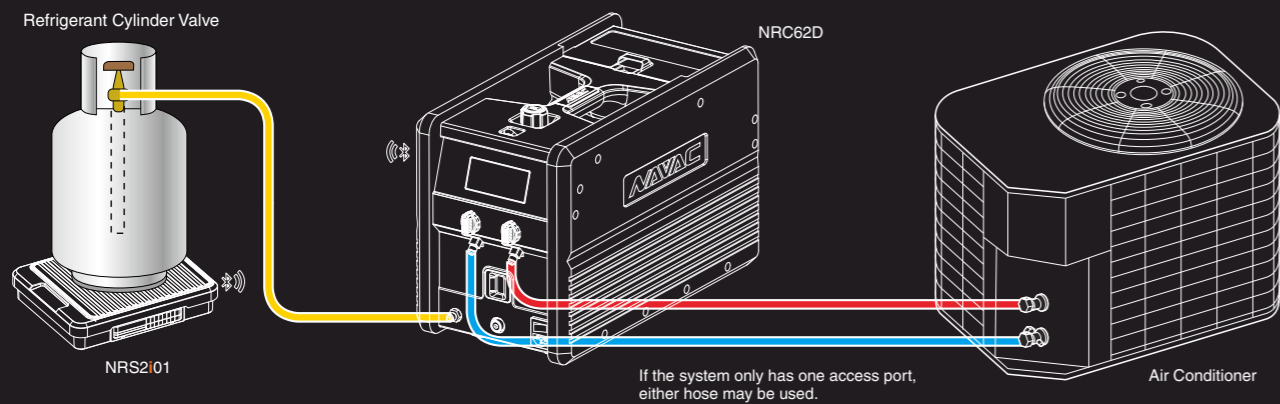
Leading Technology, Superior Quality, Best Experience.

Empowering You to Work Smarter

Traditional Refrigerant Charging:



Smart Refrigerant Charging:



The innovative design and advanced technology of the Smart Refrigerant Charging Machine delivers automatic, accurate and efficient refrigerant charging experience for HVAC service technicians.

Leading Technology, Superior Quality, Best Experience.

Empowering You to Work Smarter

**NRC62D
Smart Refrigerant Charging Machine**



Smart Charging

High Performance DC Vacuum Pump

- More efficient
- High ultimate vacuum

Wireless Refrigerant Scale

- Precision charging
- Accuracy 0.05%

Smart Control

- Automatic operation
- Built-in leak detection
- Real time status display and warning
- Internal micron sensor

Wireless Temperature Probes

- Accurate temperature measurement

Model	NRC62D	
Power Supply	V/Hz	115V / 60Hz
Evacuation Rate	CFM	6
Charge Rate	lbs/min	4
Motor Power	HP	1/3
Dimension	in	19.7 x 10 x 14.5
Weight	lbs	39.6
Accessory Included	NRS2.01 (Scale), NRHH53 (Hoses), NMT1 (High Temp Probe), NMT2 (Low Temp Probe)	

**NRRD
Recovery Unit**



Light • Fast

One Key Operation

- Easy to use

Purge Function

- Prevent mixing of various refrigerants

Twin Cylinder

- Fast recovery

High Pressure Protection

- Added safety

Oil-Free Compressor

- Suitable for all commonly used refrigerants

Model		NRRD			
Refrigerant Type		Category III: R-12, R-134a, R-401C, R-500 Category IV: R-22, R-401A, R-401B, R-402B, R-407C, R-407D, R-408A, R-409A, R-411A, R-411B, R-412A, R-502, R-509 Category V: R-402A, R-404A, R-407A, R-407B, R-410A, R-507			
Power Supply	V/Hz	115V/60Hz			
Motor	HP	1			
Max Current Draw	A	10			
Compressor		Oil-less, Air-cooled, Piston style			
Automatic Safety Shut-Off		558 psi / 38.5 bar			
Recovery Rate	lbs/min		R-22	R-134a	R-410a
		Direct Vapor	0.49	0.31	0.44
		Direct Liquid	6.17	4.7	6.06
		Push/Pull Liquid	11.60	10.8	12.61
Dimension	in	18 x 10 x 14			
Weight	lbs	30			

**NRDD
Recovery Unit**



Lighter • Faster • Compact

Brushless DC Motor

- Light
- More efficient

Oil-Free Compressor

- Suitable for all commonly used refrigerants

Large Backlit Display

- Easy-to-read large LCD display
- Backlit for clarity

Purge Function

- Prevent mixing of various refrigerants

Twin Cylinder with 2-Row Oversized Condenser

- Fast recovery

Model		NRDD			
Refrigerant Type		Category III: R-12, R-134a, R-401C, R-500 Category IV: R-22, R-401A, R-401B, R-402B, R-407C, R-407D, R-408A, R-409A, R-411A, R-411B, R-412A, R-502, R-509 Category V: R-402A, R-404A, R-407A, R-407B, R-410A, R-507			
Power Supply	V/Hz	115V/60Hz			
Motor	HP	1			
Max Current Draw	A	10			
Compressor		Oil-less, Air-cooled, Piston style			
Automatic Safety Shut-Off		558 psi / 38.5 bar			
Recovery Rate	lbs/min		R-22	R-134a	R-410a
		Direct Vapor	0.55	0.37	0.49
		Direct Liquid	6.88	5.34	7.98
		Push/Pull Liquid	14.2	11.00	15.1
Dimension	in	16 x 10 x 14			
Weight	lbs	25.4			

3-YEAR WARRANTY*

* NAVAC offers a 2-year over the counter warranty, but you can extend to 3 years with registration on navacglobal.com/product-registration within 30 days of purchase

NRDC4M
Recovery Unit **4**-Cylinder



World's First DC Inverter 4-Cylinder Recovery Unit
Fastest · Most Powerful

4-Cylinder for Powerful Recovery

- Up to 40% faster than 2-cylinder unit
- Oversized inlet port for faster recovery

Large Digital Display

- Easy-to-read large LCD display
- Backlit for clarity

Super-Efficient Condenser

- Over-sized micro-channel coil
- 3 cooling fans

Dual Oil-Free Compressors

- Suitable for all commonly used refrigerants

Brushless DC Motor

- More efficient

Acceleration Knob Design

- To achieve faster vapor recovery

Model		NRDC4M			
Refrigerant Type		Category III: R-12, R-134a, R-401C, R-500 Category IV: R-22, R-401A, R-401B, R-402B, R-407C, R-407D, R-408A, R-409A, R-502, R-509 Category V: R-402A, R-404A, R-407A, R-407B, R-410A, R-507			
Power Supply	V/Hz	115V/60Hz			
Motor	HP	1.5			
Max Current Draw	A	12			
Compressor		Oil-less, Air-cooled, Piston style			
Automatic Safety Shut-Off		558 psi/38.5 bar			
Recovery Rate	lbs/min		R-22	R-134a	R-410A
		Direct Vapor	0.93	0.34	1.02
		Direct Liquid	7.16	4.95	9.20
		Push/Pull Liquid	13.29	10.20	18.41
Inlet/Outlet Port	in	Inlet 3/8", Outlet 1/4"			
Dimension	in	17" x 10.7" x 12.2"			
Weight	lbs	41.9			

NRDDF
Recovery Unit



Fast · Compact · Explosion Proof

Explosion-Proof Design

- Designed and tested to UL 121201, CSA C22.2 No. 213-17 and IEC 60079-0 Standards
- Suitable for A2L, A2 and A3 refrigerants

Twin Cylinder with 2-Row Oversized Condenser

- Fast recovery

Brushless DC Motor

- Light
- More efficient

Oil-Free Compressor

- Suitable for all commonly used refrigerants

Large Backlit Display

- Easy-to-read large LCD display
- Backlit for clarity

Purge Function

- Prevent mixing of various refrigerants

Model		NRDDF			
Refrigerant Type		Category III: R-12, R-134a, R-401C, R-500, R-1234YF, R-600a Category IV: R-22, R-401A, R-401B, R-402B, R-407C, R-407D, R-408A, R-409A, R-411A, R-411B, R-412A, R-502, R-509, R-290 Category V: R-32, R-402A, R-404A, R-407A, R-407B, R-410A, R-507			
Power Supply	V/Hz	115V/60Hz			
Motor	HP	1			
Max Current Draw	A	10			
Compressor		Oil-less, Air-cooled, Piston style			
Automatic Safety Shut-Off		558 psi/38.5 bar			
Recovery Rate	lbs/min		R-22	R-134a	R-410a
		Direct Vapor	0.55	0.37	0.49
		Direct Liquid	6.88	5.34	7.98
		Push/Pull Liquid	14.2	11.00	15.1
Dimension	in	16" x 10" x 14"			
Weight	lbs	25.4			

* For recovering only HVAC/R refrigerants from sealed HVAC/R systems. Warranty Voided if used for any other purposes.

NVR1
Valve Core Removal Tool

2 sizes in 1 tool



Fast Recovery and Evacuation

For Use With Both 1/4" and 5/16" Flare Fittings

Rated For R410A Systems

Vacuum Rated to 20 Microns

Metal Handle for Durability

NMV1
Micron Vacuum Gauge

It uses the Pirani high-precision vacuum sensor to precisely measure vacuum levels. Digital display affords a comprehensive view of vacuum conditions. When reaching the preset vacuum level, it will buzz as a reminder. When the vacuum level increases from the preset vacuum level, it will buzz rapidly and flash the backlight to warn of leaks.

Leading Technology, Superior Quality, Best Experience.

Empowering You to Work Smarter



Precise Measurement

Pirani Vacuum Sensor

- Professional grade
- More precise

Large Backlit Display

- Easy-to-read large digital display
- Backlit for clarity
- Auto power off

Buzzing Alert

- Vacuum level reminder
- Vacuum leakage warning

Ergonomic Design

- Easy to carry

Model	NMV1
Maximum overload pressure	14 psi
Range	0-10000 Pa, 0-100 mBar, 0-75 mmHg, 0-75000 microns
Resolution	0.01 (10 Pa), 0.0001 (10 mBar), 0.0001 (10 mmHg), 1 (30000 microns)
Accuracy	15-750 micron: ±5% of reading (at 68°F)
Operating temperature	32-122°F (0-50°C)
Unit	Pa, mBar, mmHg, microns
Sensor	Pirani sensor
Buzzer alarm	90 dB, shut down after 10 seconds
Weight	4.5 oz
Accessory	Storage Bag

NML1 Leak Detector

Featuring a semiconductor sensor and a high-performance rechargeable lithium battery, it is precise, durable and easy to carry.

Leading Technology, Superior Quality, Best Experience.

Empowering You to Work Smarter



Accurate Detection

Semiconductor Sensor

- Precise measurement
- Extended service life

Lithium Battery

- Rechargeable

Ergonomic Design

- Easy to carry

Sniffing Fan

- 2 CFM ball bearing fan for very small leaks

Model	NML1
Refrigerants	CFC, HCFC, HFC refrigerants
Minimum of leakage	≤ 0.1 oz / year (R-134a)
Response time	≤ 3 s (depending on the size and location of leak)
Battery life	≥ 8 hours
System pressure	≥ 50 psi
Sensor life	≥ 1 year under normal usage (1500 h)
Length of probe	15.7 in
Weight	0.77 lbs
Calibration	Auto
Fan	2 CFM
Accessory	Carry Case

NRS2i01 Wireless Refrigerant Scale



The NAVAC NRS2i01 series bluetooth wireless electronic refrigerant scale is designed and reinforced with advanced technology, providing more precise and portable refrigerant charging technology.

Through the bluetooth connection between handheld device and electronic charging scale, you can perform other tasks while charging.

While real-time refrigerant charge is transmitted to the handheld device, it will buzz when the charge is within 2 oz of the setting, to alert the operator to stop the charging once the setting is reached.

The magnesium alloy weighing pan and ergonomic, one-piece, portable design makes it lighter and easier to carry.

Leading Technology, Superior Quality, Best Experience.

Empowering You to Work Smarter

NRS2i01 Wireless Refrigerant Scale



Precise Charging

Wireless Bluetooth Control

- More convenient
- Auto power off

Large Backlit Display

- Large screen digital display, better readability

Precision Sensor

- Precision measurement
- Accuracy 0.05%

Integrated Handle Design

- Convenient hide-away storage for hand-held device

Magnesium Alloy Weighing Pan

- 3.3 lbs only, easy to carry

Model	NRS2i01	
Range	lbs	220
Resolution	oz	0.2
Accuracy	%	0.05%
Power	4 x AA (scale), 4 x AAA (controller)	
Dimension	in	8.25 x 10.2
Weight	lbs	3.3
Accessory	Storage Bag	

N2D4H Manifold Gauge with Digital Display

NEW



Precision • Impact-Resistant

Accurate

- Class 0.4 accuracy
- Over 100% improvement vs. analog gauges

Folding Hook

- Hidden hook design, easy to transport

Aluminum Body with 1/4 Turn Ball Valve Handle

- Reliable, efficient and durable
- Better work experience

Digital Display

- Easy to read
- Auto power off

Impact-Resistant

- Impact-resistant design
- Durable rubber cover

22 Programmed Refrigerant Types

Model	N2D4H	
Refrigerant Type	R-22, R-32, R-134A, R-290, R-404A, R-407A, R-407C, R-410A, R-426A, R-427A, R-434A, R-442A, R-448A, R-449A, R-450A, R-452A, R-453A, R-507A, R-513A, R-600A, R-744, R-1234YF	
Pressure Range	psi	-30 inHg to 720 psi
Hose	in	Red 1/4" - 1/4" Yellow 1/4" - 1/4" Blue 1/4" - 1/4"
Standard Length	ft	3x5'
Accessory	Carry Case	

N2A4
Manifold Gauge

NEW



Precision • Impact-Resistant

- Accurate**
 - Precision pressure gauge with Class 1.0 accuracy
- Impact-Resistant**
 - Impact-resistant design
 - Durable rubber cover
- Aluminum Body with 1/4 Turn Ball Valve Handle**
 - Reliable, efficient and durable
 - Better work experience
- Folding Hook**
 - Hidden hook design, easy to transport
- 4-Refrigerants for Wider Applications**
 - Φ3-1/8 larger dial for easy reading
 - Commonly used refrigerants on outer rings for better reading

Model	N2A4	
Refrigerant Type	R-22, R-404A, R-134a, R-410A	
Gauge Diameter	in	Φ 3-1/8
Pressure Range	psi	-30 inHg to 800 psi -30 inHg to 500 psi
Hose	No	
Accessory	Carry Case	

N4A4H
Manifold Gauge

NEW

4 Valve

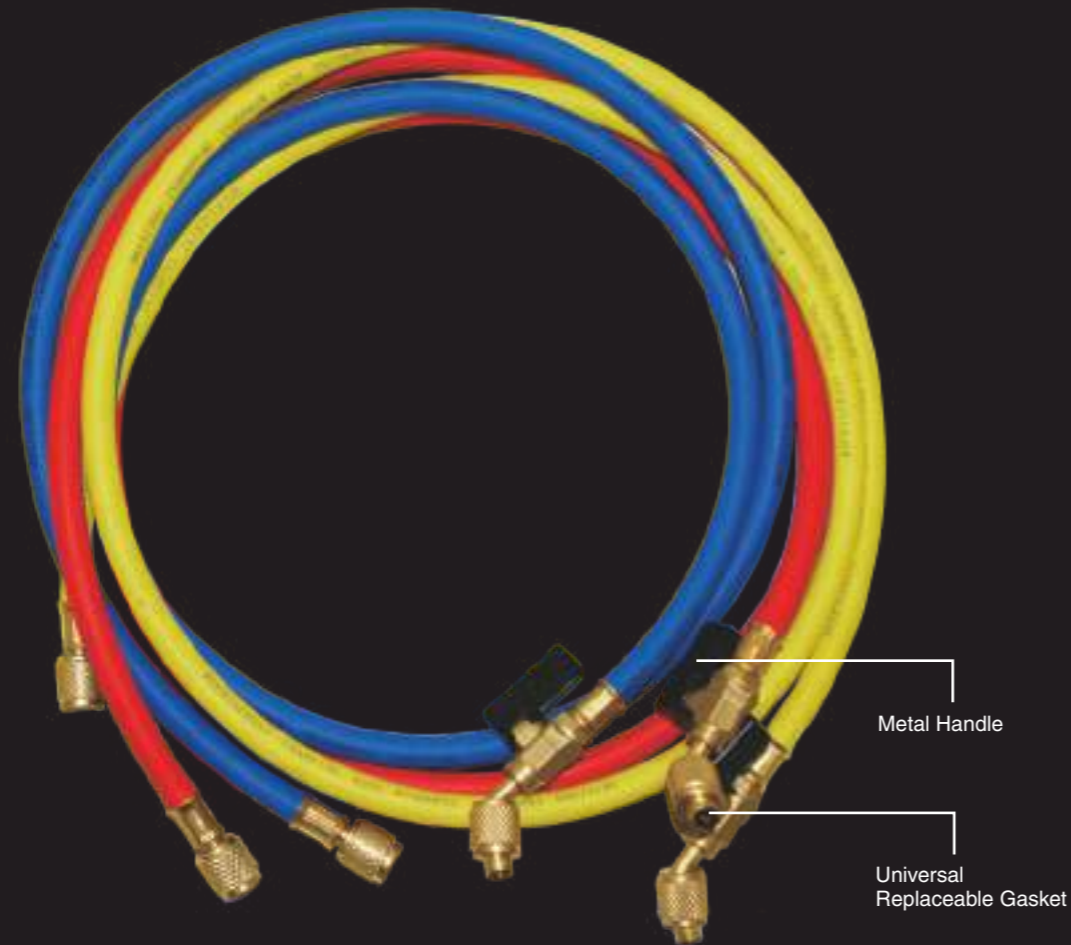


Precision • Impact-Resistant

- Accurate**
 - Precision pressure gauge with Class 1.0 accuracy
- Impact-Resistant**
 - Impact-resistant design
 - Durable rubber cover
- Aluminum Body with 1/4 Turn Ball Valve Handle**
 - Reliable, efficient and durable
 - Better work experience
- Folding Hook**
 - Hidden hook design, easy to transport
- 4-Refrigerants for Wider Applications**
 - Φ3-1/8 larger dial for easy reading
 - Commonly used refrigerants on outer rings
- 4 Valve**
 - Easy to use

Model	N4A4H	
Refrigerant Type	R-22, R-404A, R-134a, R-410A	
Gauge Diameter	in	Φ 3-1/8
Pressure Range	psi	-30 inHg to 800 psi -30 inHg to 500 psi
Hose	in	Black 3/8" - 3/8" Red 1/4" - 1/4" Yellow 1/4" - 1/4" Blue 1/4" - 1/4"
Hose Length	ft	4x5'
Accessory	Carry Case	

NH5SC
Refrigerant Hose



1/4" Charging Hoses with Ball Valve, 5 Ft Long

High Strength

- Ball valve to prevent refrigerant loss
- Suitable for R-410A, R-134a, R-22 and other refrigerants
- 1/4" SAE fittings with 45° bend on one end
- Leak-proof eight-sided crimp
- 800 psi working pressure, 4000 psi burst pressure

Improved Design

- Metal valve handle
- Universal, replaceable gasket

Model	NH5SC		
Type	Red	Yellow	Blue
Pressure Scale	psi	0-800 psi	
Length	ft	5	
Connector	in	1/4" - 1/4"	

NHB1
NHB2
Big Boy High-Flow Evacuation Hoses



Evacuation Hose

Fast & Efficient

- 1/2" large diameter for fast evacuation
- 4-layer construction for low permeation
- 3200 psi burst pressure, 640 psi working pressure
- Vacuum rated to 20 microns

Model	NHB1		NHB2	
Length	feet	6'	feet	6'
Diameter	in	1/2"	in	1/2"
Fitting		3/8" to 1/4"		1/2" to 1/4"

NKS1
Mini-Split Tool Kit



NAVAC Advanced Tool Kit for Mini-Split Installation

NEF6LM Cordless Flaring Tool

- Quick accurate flaring
- Ultra light at 2.9 lbs

NTW1 Digital Torque Wrench

- Digital readout
- Adjustable jaw

Manifold Gauge with Digital Display

- Large LCD screen for clarity
- Doubling accuracy vs. analog gauge

Model	Item	Specification	Quantity
NEF6LM	Cordless Power Flaring Tool	Lithium battery: 7.4V 2Ah 14.8Wh Tube OD: 1/4", 3/8", 1/2", 5/8", 3/4"	1
NTW1	Digital Torque Wrench	3.1 - 62.7 ft·lb (4.2 - 85 N·m)	1
NRM1D	Manifold Gauge with Digital Display	Refrigerant type: R-22, R-134a, R-1234yf, R-290, R-404A, R-407C, R-410A, R-32, R-507	1
NHK1	Hex Wrench Set	30-Piece Hex Key Set SAE: 7/250"-3/8" Metric: 0.7-10 mm	1
NTC6	Tube Cutter	Tube OD 1/8" - 3/4"	1
NTC12	Tube Cutter	Tube OD 1/8" - 1-1/4"	1
NTR14	Internal/External Reamer	Tube OD 1/8" - 1-1/2"	1
NTD28	Tube Deburrer	2 spare blades included	1
NFG1	Flare Gauge	Tube sizes: 1/4", 5/16", 3/8", 1/2", 5/8", 3/4"	1

NTF66
NTF66C
Flaring Tool

NAVAC Flaring Tools, with axial spacing and patented rivet connection, deliver consistent, accurate flaring each and every time. Nitride treatment makes them more robust and durable.

Leading Technology, Superior Quality, Best Experience.

Empowering You to Work Smarter



Accurate Flaring

Axial Spacing

- Ensuring accurate and consistent flaring

Nitride Treatment

- Longer service life
- Robust and durable

Patented Annular Rivet Connection

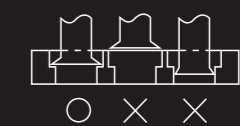
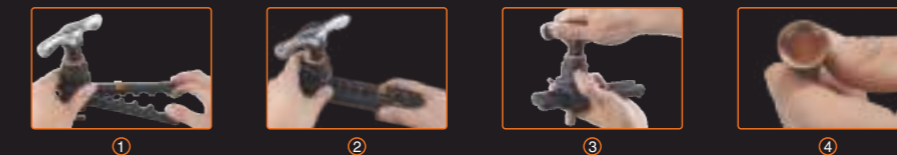
Internal Clutch

- Preventing over-torquing

Eccentric Cone

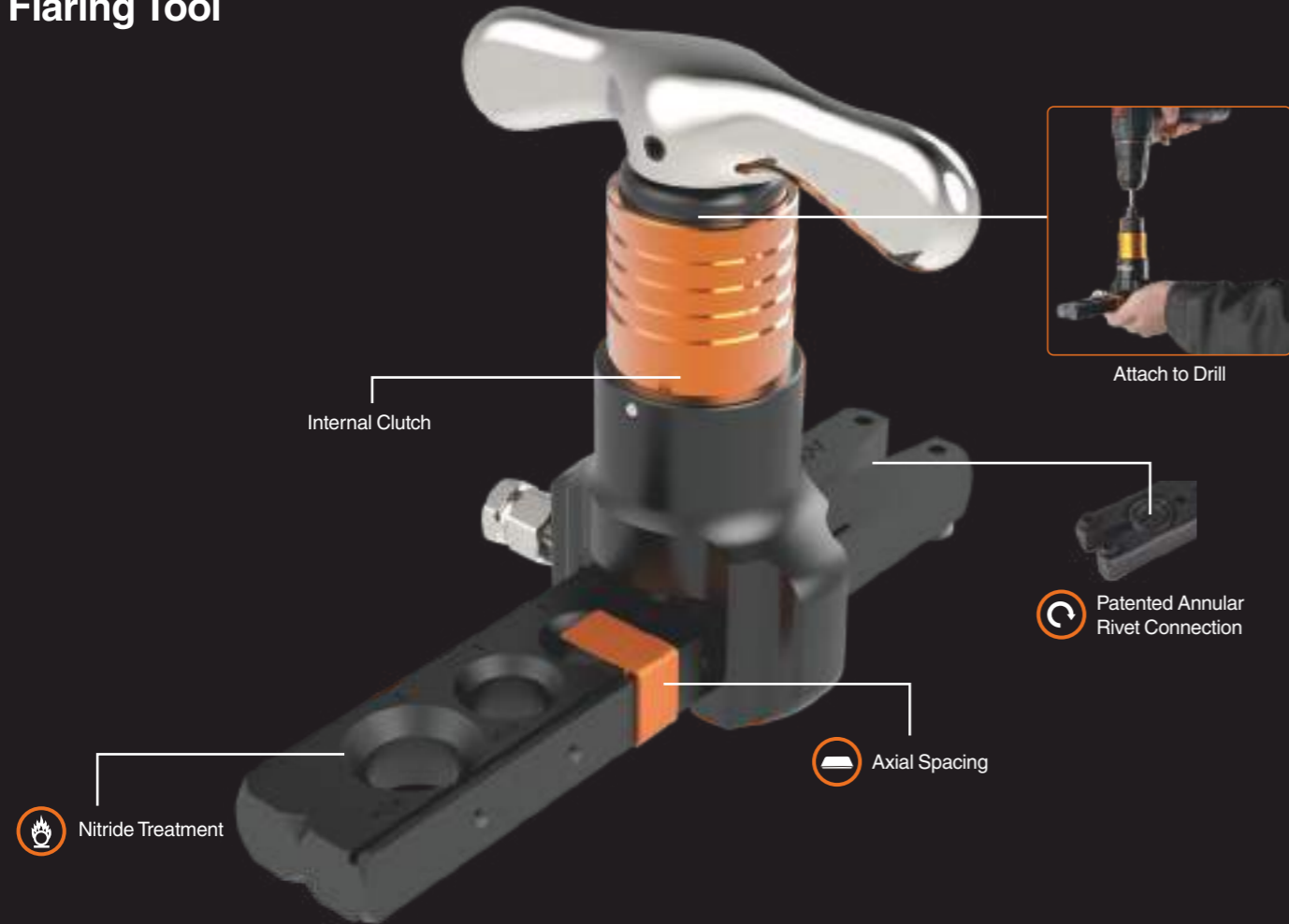
- 45° flare for R410A system

Heavy-Duty Handle & Shaft



Model	NTF66	NTF66C
Tube OD	1/4", 5/16", 3/8", 1/2", 5/8", 3/4"	1/4", 5/16", 3/8", 1/2", 5/8", 3/4"
Accessory	Carry Case	Carry Case, NTC12 (Cutter)

NTF67D
Hand and Drill-Powered
Flaring Tool



Accurate Flaring

Hand or Drill-Powered

- Efficient and labor-saving with drill attached

Axial Spacing

- Axial spacing for accurate and consistent flaring
- Eccentric cone with 45° flare

Nitride Treatment

- Longer service life
- Robust and durable

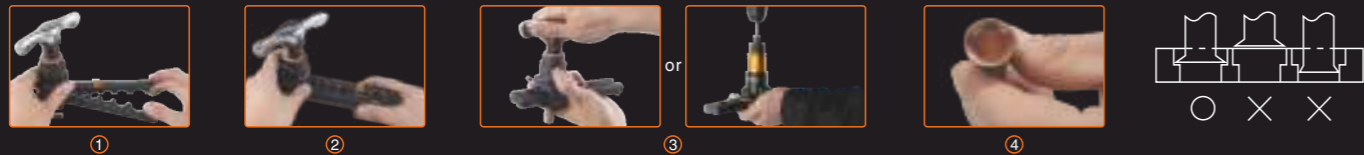
Patented Annular Rivet Connection

Internal Clutch

- Preventing over-torquing

Eccentric Cone

- 45° flare for R410A system



Model	NTF67D
Tube OD	3/16", 1/4", 5/16", 3/8", 1/2", 5/8", 3/4"
Accessory	Carry Case, NFG1 Flare Gauge

NEF6LM
Cordless Power Flaring Tool

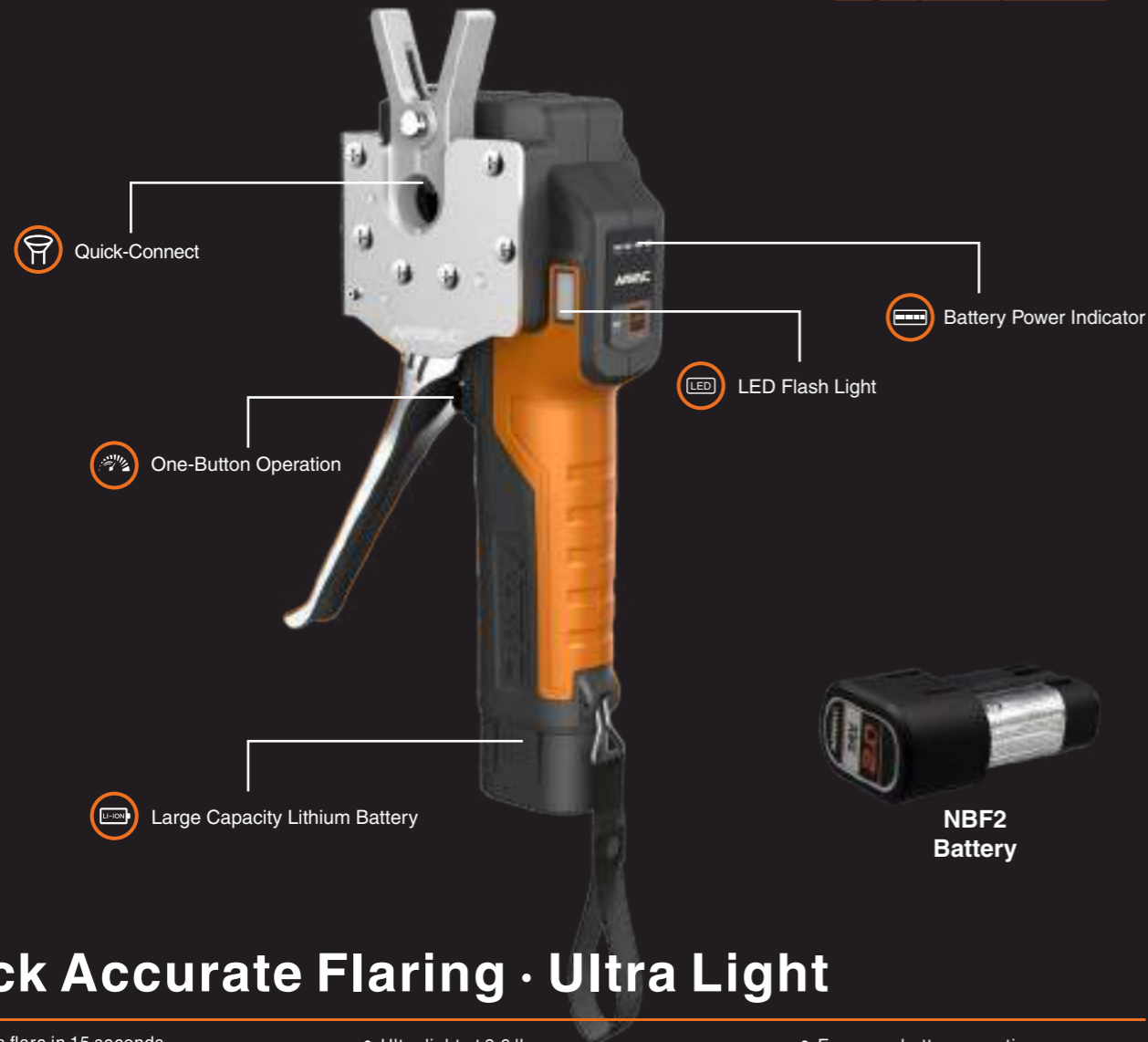


Weighing less than three pounds, the new Model NEF6LM Power Flaring Tool produces precise, automatic flares in a fraction of the time compared to traditional flaring methods. NAVAC's new cordless flaring solution makes flaring faster and far simpler without sacrificing accuracy or consistency. Offering easy flare connectivity, it can create flares in five sizes, ranging from 1/4" to 3/4". Designed to perform reliably in harsh environments, the NEF6LM Cordless Power Flaring Tool is your ideal flaring solution for mini-split ACs and VRF systems.

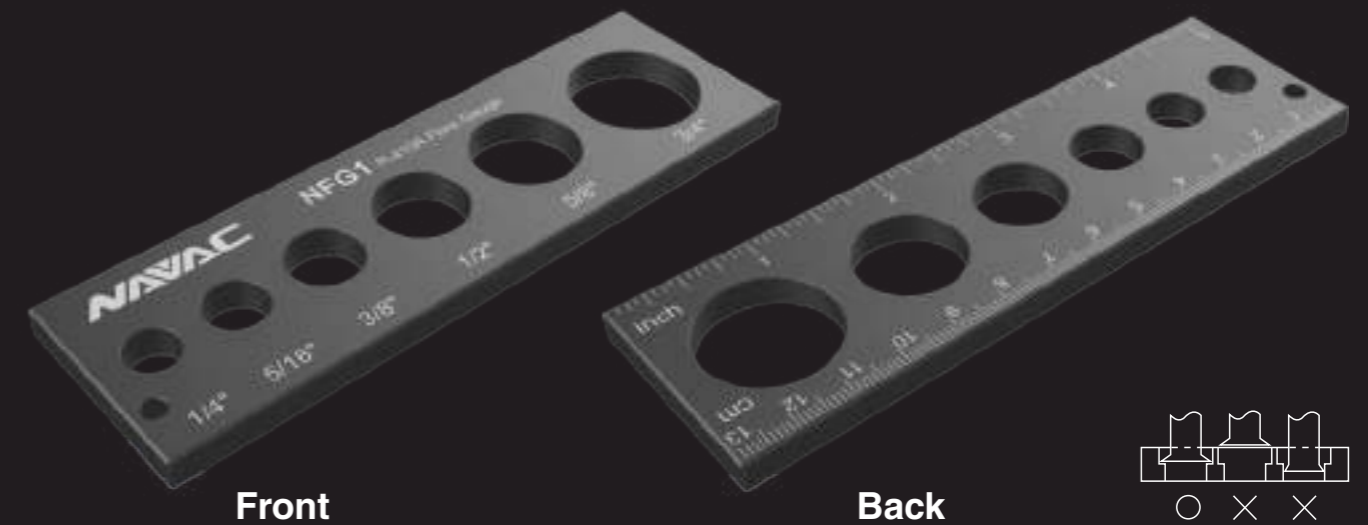
Leading Technology, Superior Quality, Best Experience.
Empowering You to Work Smarter



NEF6LM
Cordless Power Flaring Tool



NFG1
Flare Gauge



Quick Accurate Flaring · Ultra Light

- Complete a flare in 15 seconds
- Over 100 flares per charge
- Quick charge in 30 minutes
- Ultra light at 2.9 lbs
- Quick connect with ready-to-use clamps
- 45° flaring for R410A
- Limit baffle assures precise flare depth
- Easy one-button operation
- Battery power indicator
- LED flash light
- Flare gauge included



Model	NEF6LM
Battery Type	7.4V 2Ah 14.8Wh
Tubing Type	Copper
Tube OD	1/4", 3/8", 1/2", 5/8", 3/4"
Weight	2.9 lbs (with battery)
Accessory	Carry Case, NFG1 Flare Gauge

Ensuring Perfect Flares

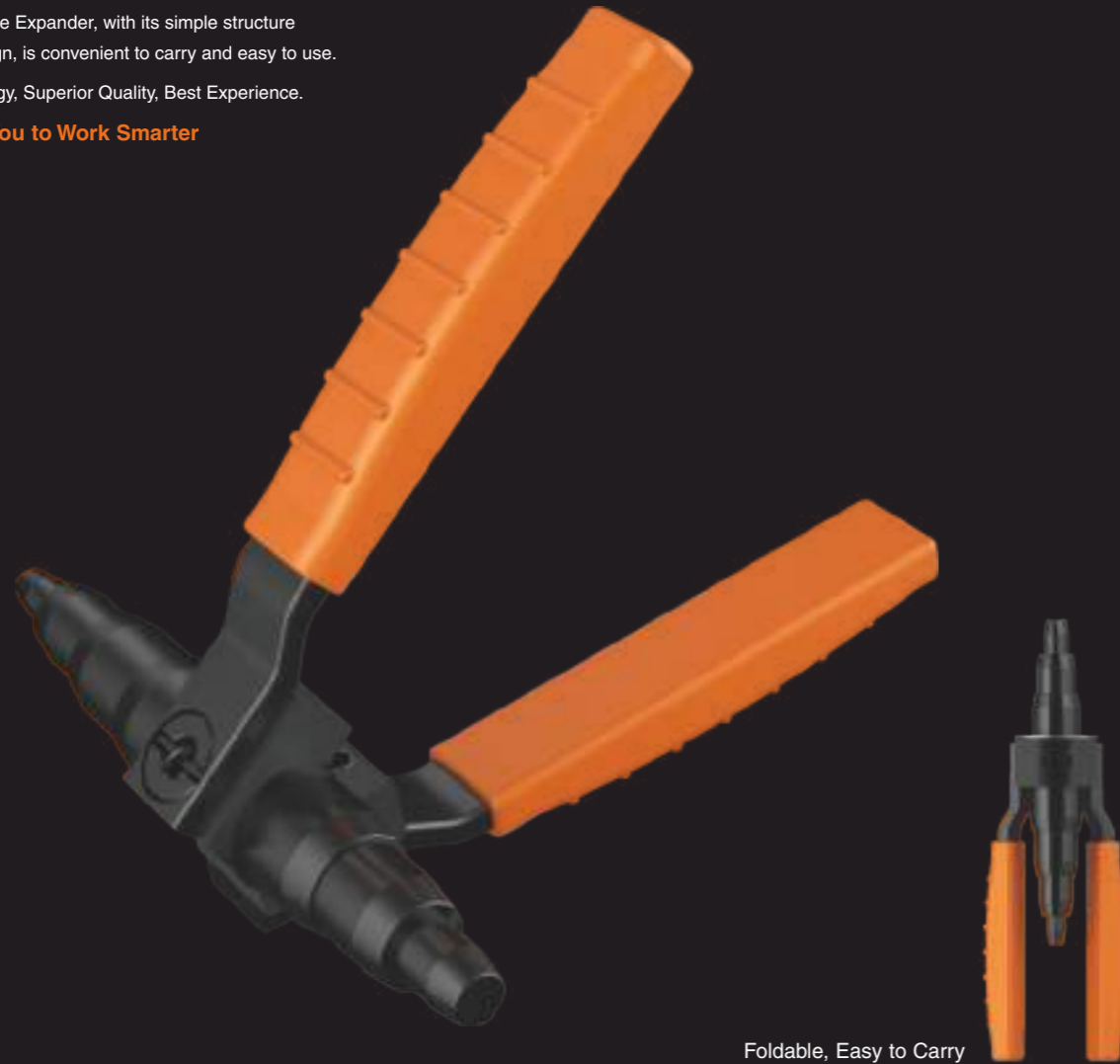
Tube OD: 1/4", 5/16", 3/8", 1/2", 5/8", 3/4"

For Precise Measurement of Tube Flares

NTE7 Tube Expander

NAVAC NTE7 Tube Expander, with its simple structure and foldable design, is convenient to carry and easy to use. Leading Technology, Superior Quality, Best Experience.

Empowering You to Work Smarter



Foldable, Easy to Carry

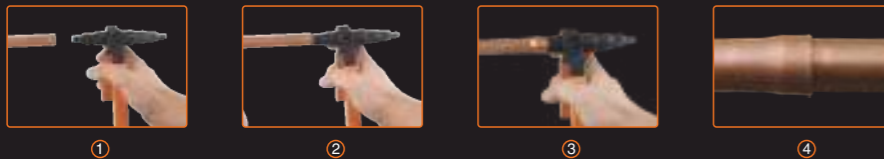
Easy to Expand

Easy to Carry

- Foldable design for portability

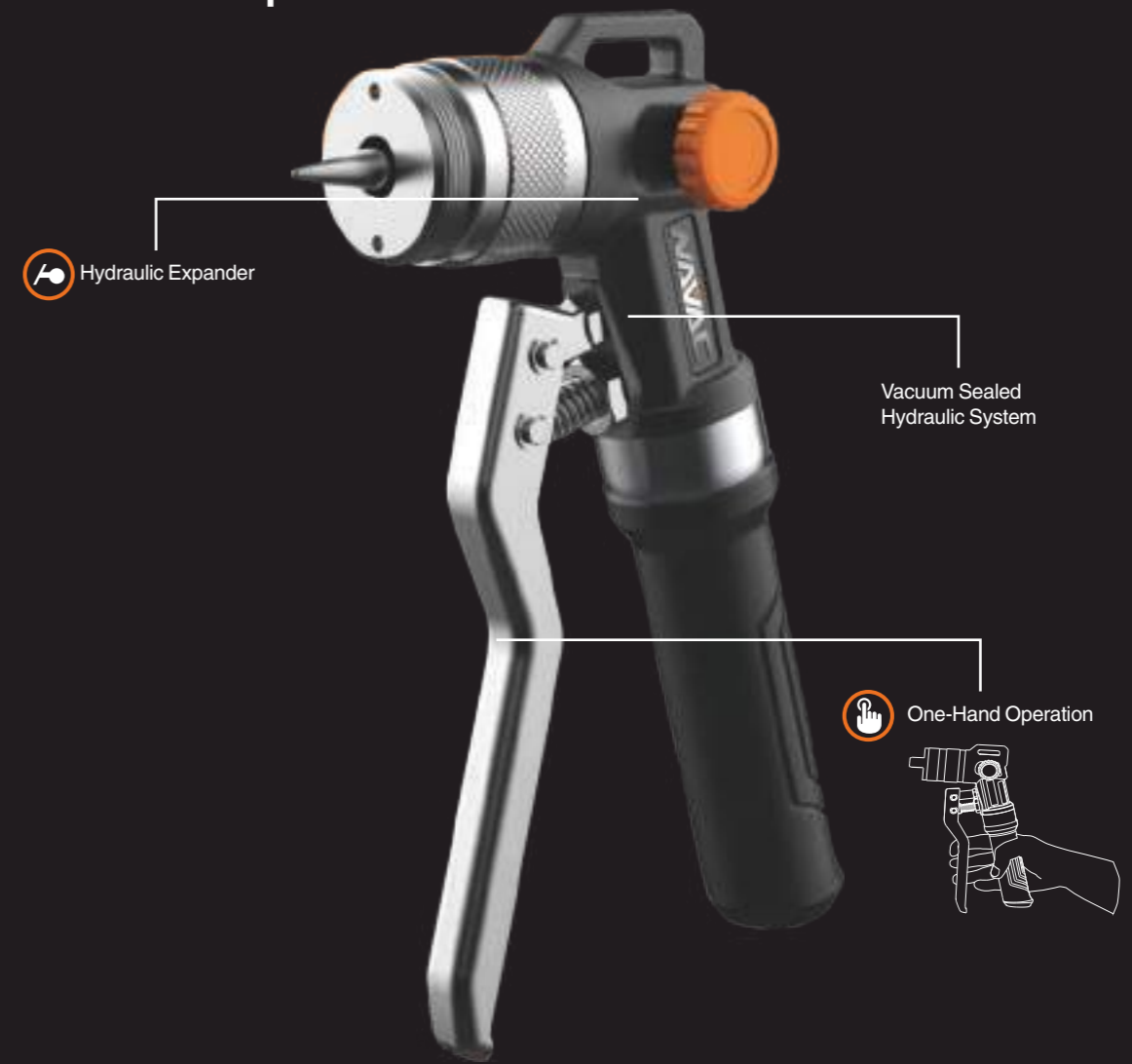
Easy to Use

- Simple structure for expanding copper tubing



Model	NTE7
Tube OD	3/8", 1/2", 5/8", 3/4", 7/8"

NTE11H Hydraulic Tube Expander



Powerful and Durable

Hydraulic Expander

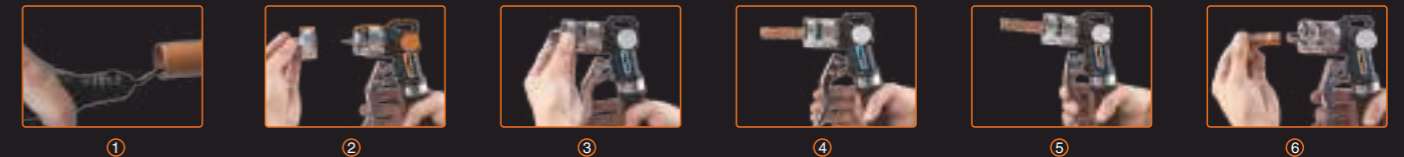
- Vacuum sealed hydraulic system, no oil change needed
- Easy to expand
- Suitable for large diameter copper

Compact

- Convenient for narrow spaces
- Easy to use

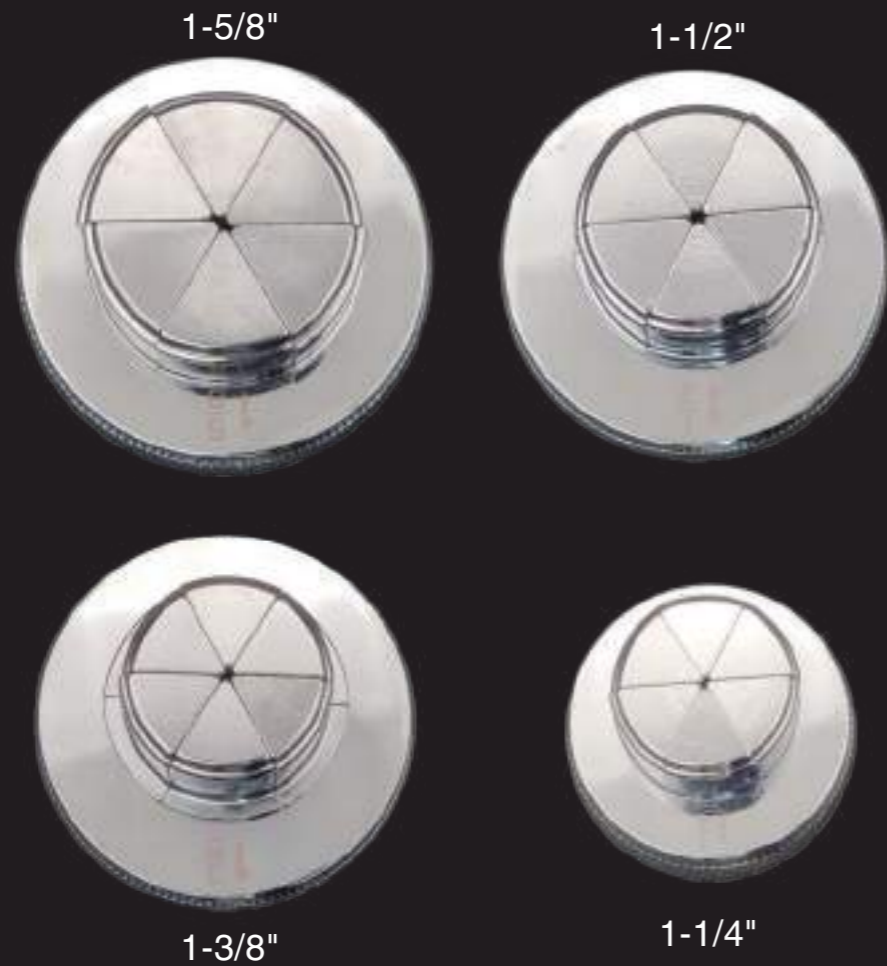
Easy One-Hand Operation

- Reduced labor and improved efficiency

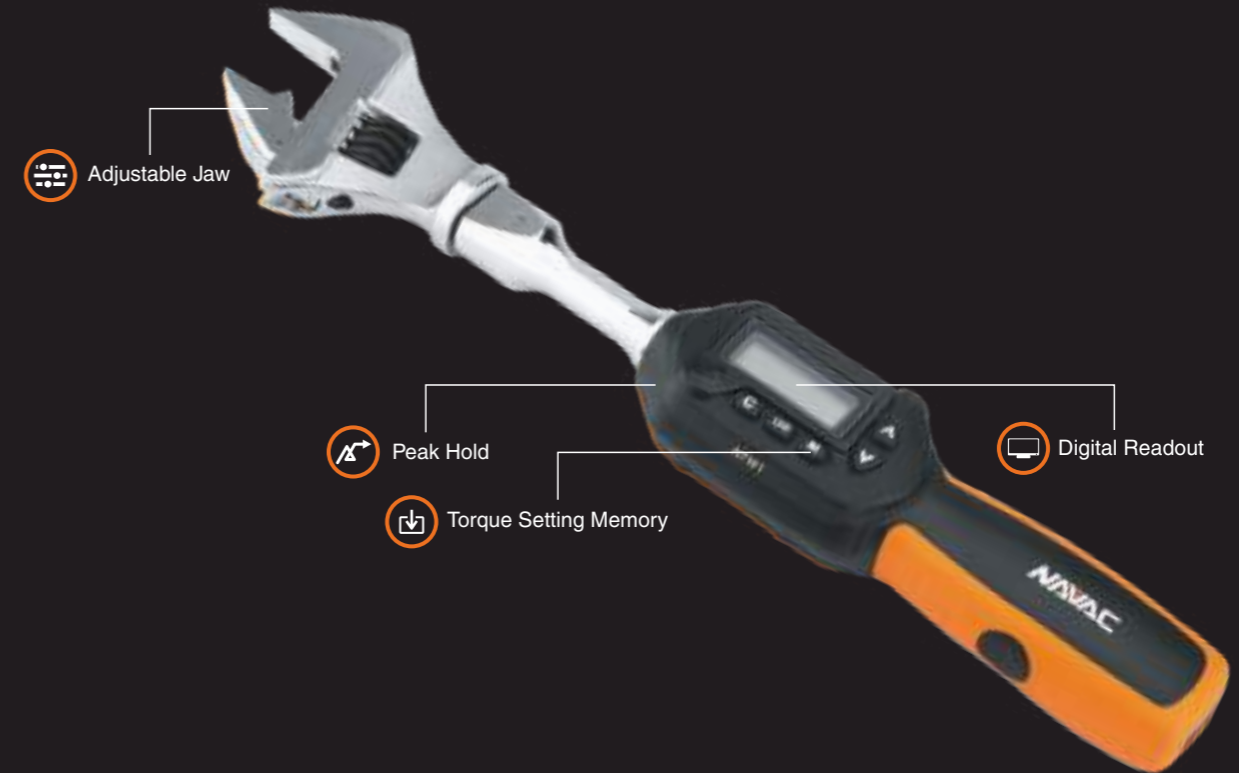


Model	NTE11H
Tube OD	3/8", 1/2", 5/8", 3/4", 7/8", 1", 1-1/8"
Accessory	NTC12 (Cutter), NTD28 (Deburring Tool)

NTEHHK
Expander Kit for NTE11H



NTW1
Digital Torque Wrench



Digital Readout · Adjustable Jaw

- Accurate within 2%
- Dual direction (CW & CCW)
- Torque setting memory & Peak hold
- Auto turn-off after 5 minutes inactivity
- Selectable measuring units (ft-lb, in-lb, N-m, kg-cm)
- Indicator lights and sound for target torques

Model	NTEHHK
Tube OD	1-1/4", 1-3/8", 1-1/2", 1-5/8"

Model	NTW1
Torque Measuring Range	3.1 - 62.7 ft-lb (4.2 - 85 N-m)
Jaw Size	0.2 - 1.2 inch (5 - 30 mm)
Weight	3 lbs
Accessory	Storage Case

**NTC6
NTC12
NTC15
Tube Cutter**

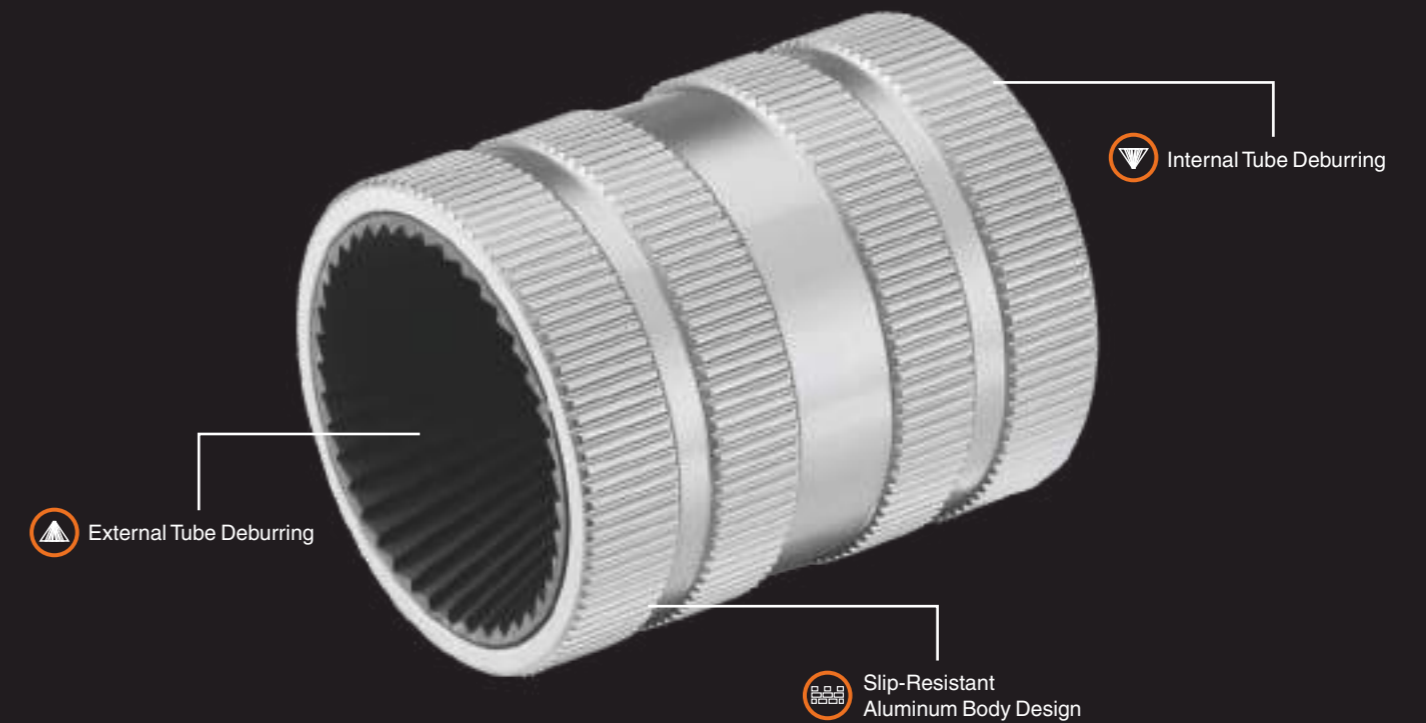
With sharp cutting blade, ball bearings and aluminum alloy body, it makes tube cutting easy and efficient.

Leading Technology, Superior Quality, Best Experience.

Empowering You to Work Smarter



**NTR14
Internal & External Reamer**



Easy to Cut

High-Quality Cutting Blade

- Sharp and durable
- One extra blade supplied

Ball Bearing

- Easy cutting and better quality
- Short cut for flare ends, saving copper

Aluminum Alloy

- Light weight, easy to carry and use

Model	NTC6	NTC12	NTC15
Tube OD	1/8" - 3/4"	1/8" - 1-1/4"	1/4" - 1-5/8"

Fast, Easy and Clean

Multi-Blade Alloy Steel Internal Surface

- Easy to clean internal and external tubing surfaces

Slip-Resistant Aluminum Body Design

- Light weight
- Durability

Model	NTR14
Tube OD	1/8" - 1-1/2"

NTD28
Tube Deburring Tool

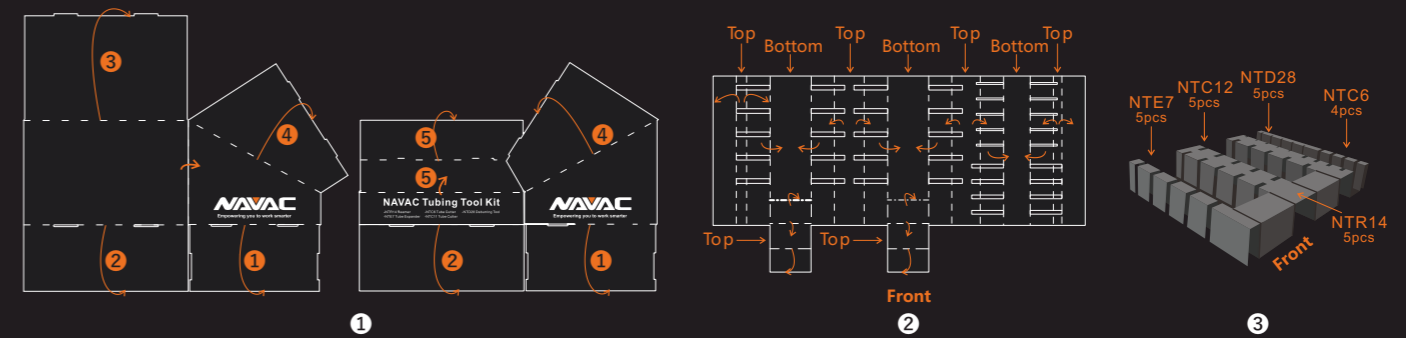


Easy to Carry and Use

Replaceable Blades
• 2 spare blades included

Easy to Carry

NTK1
Tubing Tool Kit



Your Favorite NAVAC Tubing Tools

Counter Displayable

Convenient Showcase

Easy to Refill

Item	Description	Quantity
NTE7	Tube Expander, 7/8" Max OD	5
NTR14	Internal/External Reamer, 1-1/2" Max OD	5
NTC12	Tube Cutter, 1/8"-1-1/4" Max OD	5
NTC6	Tube Cutter, 3/4" Max OD	4
NTD28	Tube Deburrer	5
MM014	2 sets of counter display cartons	1

NAVAC'S No-Hassle Warranty

Warranty Information

NAVAC Inc. GUARANTEES all NAVAC products to be free of defective material and craftsmanship which could affect the life of the product when used for purpose for which it is designed. This warranty does not cover items which have been abused, misused, or improperly maintained, (including failure to use the correct type of vacuum pump oil). The sole obligation under this warranty shall be to repair, replace (OTC Exchange), or provide credit for any defective product or parts thereof, at the discretion of NAVAC Inc. within the period mentioned below. In some instances, NAVAC Inc. may require the defective product be returned for warranty analysis.

Note: Warranty only applies if product is purchased from a NAVAC Authorized Dealer

Different warranty periods cover different product groups, so please read carefully.

Warranty period is stated in chart below:

Category	Model	Warranty Period (Years)
Charging Station	NRC62i / NRC62D	2
2 cfm / 4cfm Cordless Vacuum Pump	NP2DLM / NP4DLM	2
Digital Vacuum Pump	NRP6Di / NRP8Di	2
Industrial-Grade Vacuum Pump	NP12DM / NP12DA1	2
Digital Recovery Unit	NRDD	2**
4 Cylinder Recovery Unit	NRDC4M	2
Industrial Vacuum Pump	NRD16T	2
Industrial Vacuum Pump	NRD24 / NRD30	1
Cordless Flaring Tool	NEF6L / NEF6LM	2
Hydraulic Expander	NTE11H / NTEHHK	2
Vacuum Pump	NP4DP / NP7DP	1
Manifold Gauges	NRM1D / NRM2D / N2D4H/ N4A3H / N4A4H / NRM1B / NRM2B / N2A4	1
Mechanical Pump	NRP6DV / NRP8DV	1
Mechanical Recovery Unit	NRRD	1
Hoses	NRHH53 / NRHH53C / NH5SC / NHB1/2/3	1
Mechanical Flaring Tool	NTF66 / NTF66C / NTF67D	1
Flaring Gauge	NFG1	1
Manual Expander	NTE7	1
Tube Cutters	NTC6 / 11 / 12 / 13 / 15	1
Reamer / Deburrer	NTR14 / NTD28	1
Micron Gauge	NMV1	1
Core Tools	NVR1	1
Scale	NRS2i01	1
Leak Detector	NML1	1

****3 YEARS IF PRODUCT IS REGISTERED** at <https://navacglobal.com/product-registration/> (Effective 4/1/2020)

Vacuum Pump / Charging Machine/ Recovery Unit/ Tubing Tools:

Use these devices to pump and recover only HVAC/R refrigerants from sealed HVAC/R systems. Warranty is voided if used for any other purpose, including manufacturing purposes.

NAVAC Pumps and Recovery Units are not warranted for use on the following systems:

- Lithium
- Ammonia (Except NP12DA1)
- Bromide
- Butane
- CO₂ type extraction
- Leak Stop products

Warranty is VOID if:

- Oil has NOT been pumped or changed
- Corrosive substances have been introduced in the pump
- Pump has been altered or any components missing or removed

Hoses:

Only individual hoses are covered.

Gauges:

The following exceptions **will not** be covered under this warranty.

- Over-pressurized or broken gauges.
- Gauges that have been altered, misused, or improperly maintained.

Tools:

Hand tools are covered except for "Tool Kits". **Only the failed component** will be issued a credit or replacement.

How to Return Product

Prior to returning any product to NAVAC, you are required to obtain a Returns Merchandise Authorization, (RMA), number.

Fill out the online RMA form at <https://navacglobal.com/return-merchandise-authorization/> or Download an RMA Form <https://navacglobal.com/wp-content/uploads/2019/05/2019-RMA-Form.pdf> and email to Techsupport@navacglobal.com, or Fax to 877-696-2822. Please fill out completely. Any missing information could delay processing.

Company Information:

NAVAC Inc. is a leading provider of advanced HVAC Tools. We offer highly differentiated vacuum pumps, recovery units, refrigerant charging machines, manifold gauges and other tools for HVAC service technicians to make their job easier, more efficient and enjoyable.

Office Address: 1099 Wall Street West, Suite 179
Lyndhurst, NJ 07071
Telephone: +1 877 MY-NAVAC
Fax: +1 877 696 2822
Web URL: www.NavacGlobal.com

Primary/Order Contact: Phone: +1 877 MY-NAVAC, Fax: +1 877 696 2822
Email: Order@NavacGlobal.com

Facebook:
@NAVACHvactools



Instagram:
navac_inc_hvac_tools



LinkedIn:
NAVAC Inc. - HVAC Tools Division



YouTube:
NAVAC Inc. HVAC Tools Division

