

GAS POWERED SUCTION STOP VALVE

Type CK-5

Port Size 32mm to 150mm (1¼" - 6")

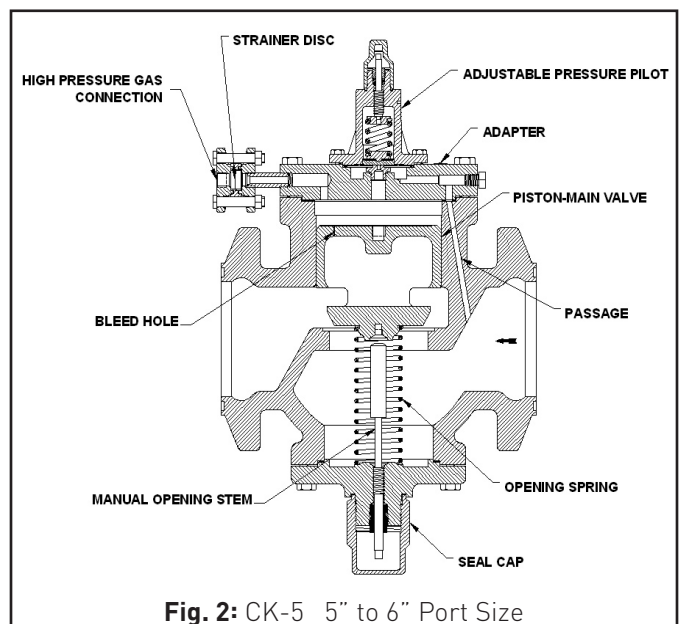
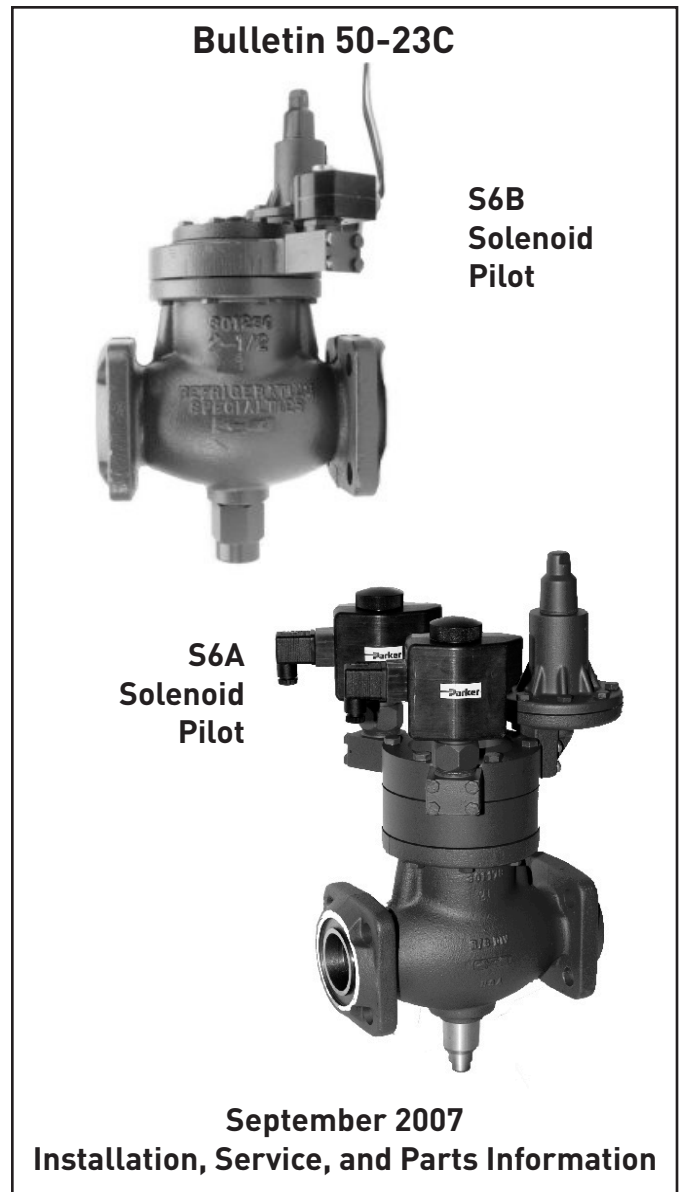
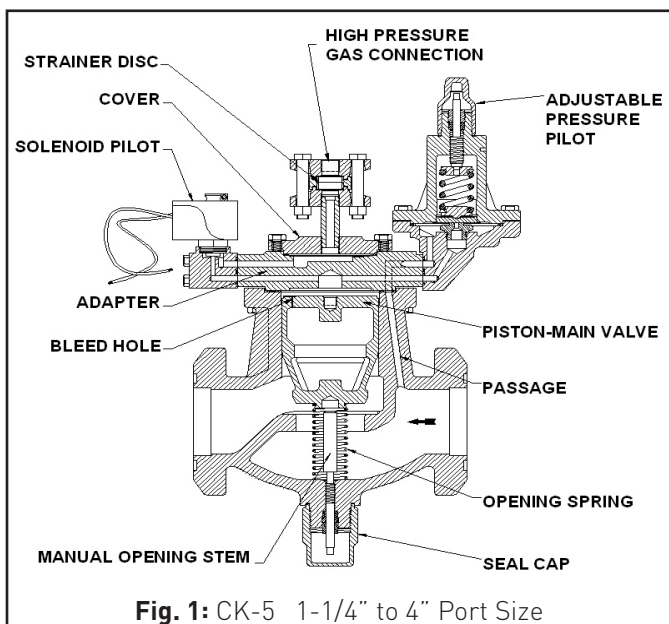
Suitable For: Ammonia, R22, R502,
R134a, R404a and Other Common
Refrigerants

FEATURES

- Normally Open
- Low Pressure Drop
- Manual Opening Stem
- Integrated Pilot Solenoid on 32mm to 100mm (1-1/4" to 4") Sizes
- Use in Vertical or Horizontal Line
- Valve may be mounted on its side
- Design Pressure (MRP): 27.6 bar (400 psig)

DESCRIPTION

These valves are piston-type, gas powered, and normally open. They are heavy duty, semi-steel bodied valves that are built with control precision. The 32mm (1-1/4") port size has a PTFE main seat, the 40mm (1-5/8") port and larger have a metal to metal seat, the 100mm and 125mm (5" and 6") port size versions of this unique suction stop valve utilize a larger capacity, remotely piped pilot operated solenoid, the R/S type S8F (Reference Bulletin 30-91). In addition, the pilot regulator for these two larger sized valves is mounted on top of valve (Fig. 2), with the strainer disc assembly piped into the side of the adapter.



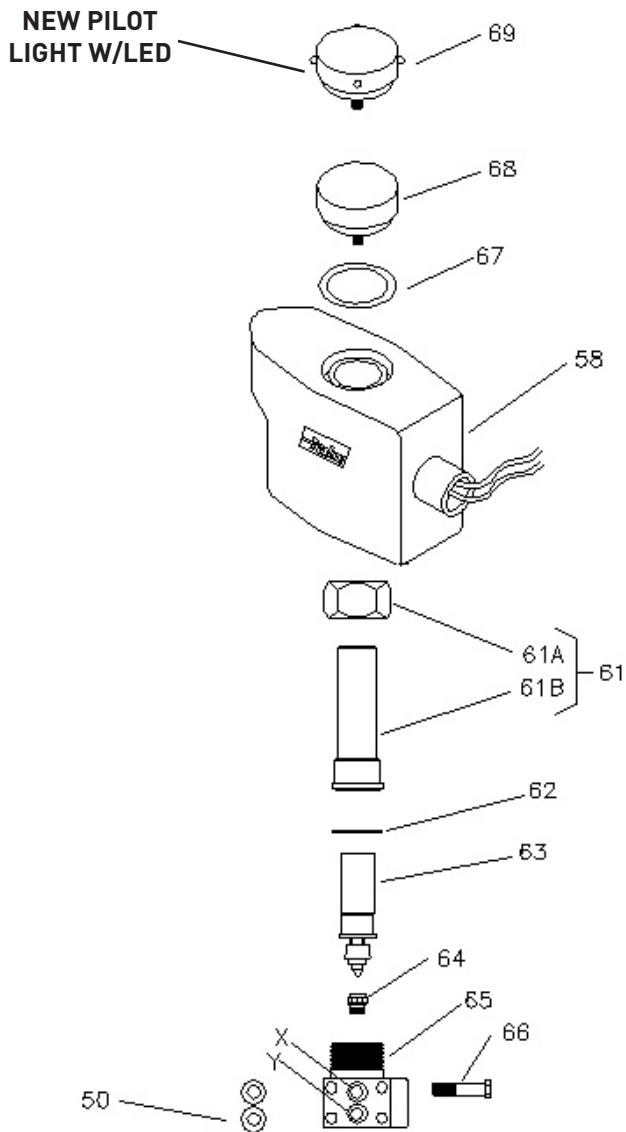


Fig. 6: S6A Solenoid Assembly and Parts List

ENCAPSULATED COIL (ITEMS 58, 67, & 68)

VOLTAGE (V)	FREQUENCY (Hz)	LEADED	*DIN
115	50	205206	205224
230	50	205207	205225
240	50	205208	205226
120	60	205209	205227
240	60	205210	205536
208	60	205211	N/A
24	60	205212	206018
24	50	205213	205635
48	50	205214	206755
24	DC	205215	205791
12	DC	206766	N/A
48	DC	N/A	205796

*DIN: Quick Disconnect (Q.D.) / Quick Connect (Q.C.)

S6A SOLENOID PILOT PARTS KITS (CK-5 3" - 4" VALVES ONLY)

ITEM	DESCRIPTION	QTY	KIT NO.
58	Coil Assembly	1	C.F.
61A	Nut, Solenoid Tube	1	
61B	Solenoid Tube	1	
62	Gasket	1	
61A, 61B, 62	Tube Kit, Solenoid		201036
50	O-Ring	2	
66	Bolts (1/4" -20)	4	
50, 66	Bolts, O-Ring Kit		201574
62	Gasket	1	
63	Plunger / Needle Assembly	1	
62, 63	Plunger Kit, Needle Plunger Kit, Needle (DC only)		201019 201021
64	Seat Assembly	1	
62-64	Plunger Seat Kit		2501630
65	Body, S6A	1	
67	O-Ring / Gasket	1	
68	Knob	1	
67-68	Knob Kit		205237

S6A SPARE OR ADDITIONAL PARTS KITS

ITEM	DESCRIPTION	QTY	KIT NO.
50	O-Ring Package, Moduplate	12	202424
70	Bulb	6	205282
69, 67	Knob Kit (Green LED) Knob Kit (Red LED)	1 1	208543 208544

ENCAPSULATED COIL (ITEMS 58, 67, & 69) W/LED PILOT LIGHT

VOLTAGE (V)	FREQUENCY (Hz)	LEADED	*DIN	LED COLOR
115	50	N/A	208558	RED
230	50	208553	208559	
240	50	N/A	208560	
120	60	208550	208561	
208	60	208552	N/A	
240	60	208551	208562	
115	50	N/A	208563	GREEN
230	50	208557	208564	
240	50	N/A	208565	
120	60	208554	208566	
208	60	208556	N/A	
240	60	208555	208567	