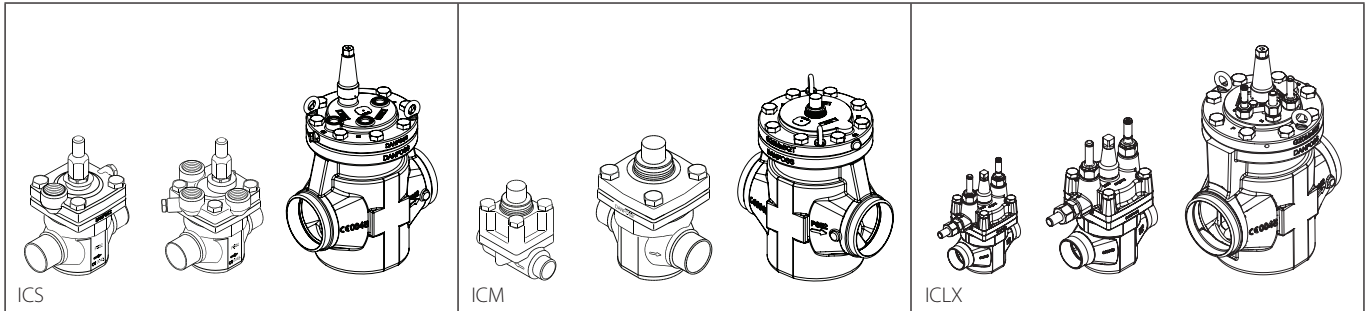


Data sheet

**Spare parts and accessories**

Pilot operated servo valve, type ICS | Motor operated valve, type ICM |  
2-step solenoid valve, type ICLX



Valve type	Size	See details on page #	Code no.
ICS, ICM, ICLX	25 <sup>1)</sup>	2	027H2218
	32	3	027H3016
	40	4	027H4014
	50	5	027H5014
	65 / 80	6	027H6016
	100	7	027H7191
	125	8	027H7194
	150	9	027H7196

Valve type	Size	See details on page #	Code no.
ICS, ICLX	25 <sup>2)</sup>	10	027H2219
	32	11	027H3017
	40	12	027H4015
	50	13	027H5015
	65 / 80	14	027H6017
	100	15	027H7192
	125	16	027H7204
	150	17	027H7197
ICM	20	18	027H1190
	100	19	027H7135
	125	20	027H7155
	150	21	027H7175

Valve type	Size	See details on page #	Code no.
ICS	25-5	22	027H2225
	25-10	23	027H2138
	25-15	24	027H3019
	25-20	25	027H3043
	25-25	26	027H3044
	32	27	027H3018
	40	28	027H4016
	50	29	027H5016
	65	30	027H6018
	80	31	027H6028
	100	32	027H7193
	125	33	027H7195
	150	34	027H7198

Valve type	Size	See details on page #	Code no.
ICM	20A	35	027H1180
	20A-33	36	027H1186
	20B	37	027H1181
	20B-66	38	027H1194
	20C	39	027H1182
	25A	40	027H2180
	25B	41	027H2181
	32A	42	027H3180
	32B	43	027H3181
	40A	44	027H4180
	40B	45	027H4181
	50A	46	027H5180
	50B	47	027H5181
	65A	48	027H6180
	65B	49	027H6181
	100	50	027H7136
	125	51	027H7156
150	52	027H7176	

Valve type	Size	See details on page #	Code no.
ICLX	32	53	027H3204
	40	54	027H4204
	50	55	027H5204
	65 / 80	56	027H6204
	100	57	027H7221
	125	58	027H7222
	150	59	027H7223

Accessories	Code no.
for ICS	60
for ICM	62
for ICLX	64

<sup>1)</sup> ICS and ICM only  
<sup>2)</sup> ICS only

**Inspection kits:**

Contain all gaskets, O-rings and aluminum rings belonging to one valve size. For detailed content, see specific pages mentioned above.

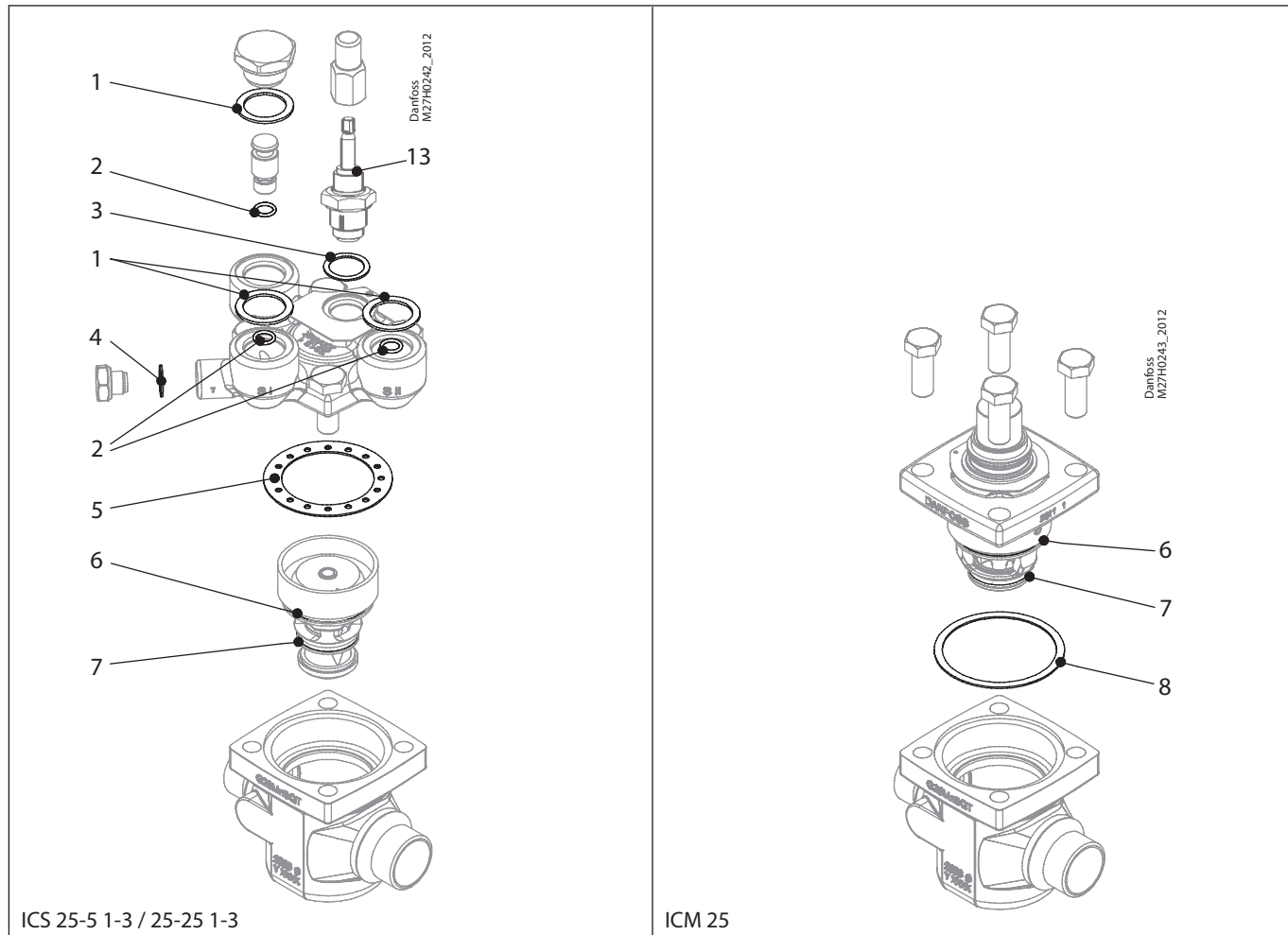
**Repair kits:**

Contain all gaskets, O-rings and aluminum rings belonging to one valve size, valve seat and piston ring. For detailed content, see specific pages mentioned above.

**Overhaul kits:**

Contain all gaskets, O-rings and aluminum rings belonging to 1 valve size and parts what could be damaged or worn out. Where possible, code numbers of complete modules or top parts from parts program are used. For detailed content, see specific pages mentioned above.

**Inspection kit | Code number 027H2218**  
**ICS, size 25-5 to 25-25 / ICM, size 25**

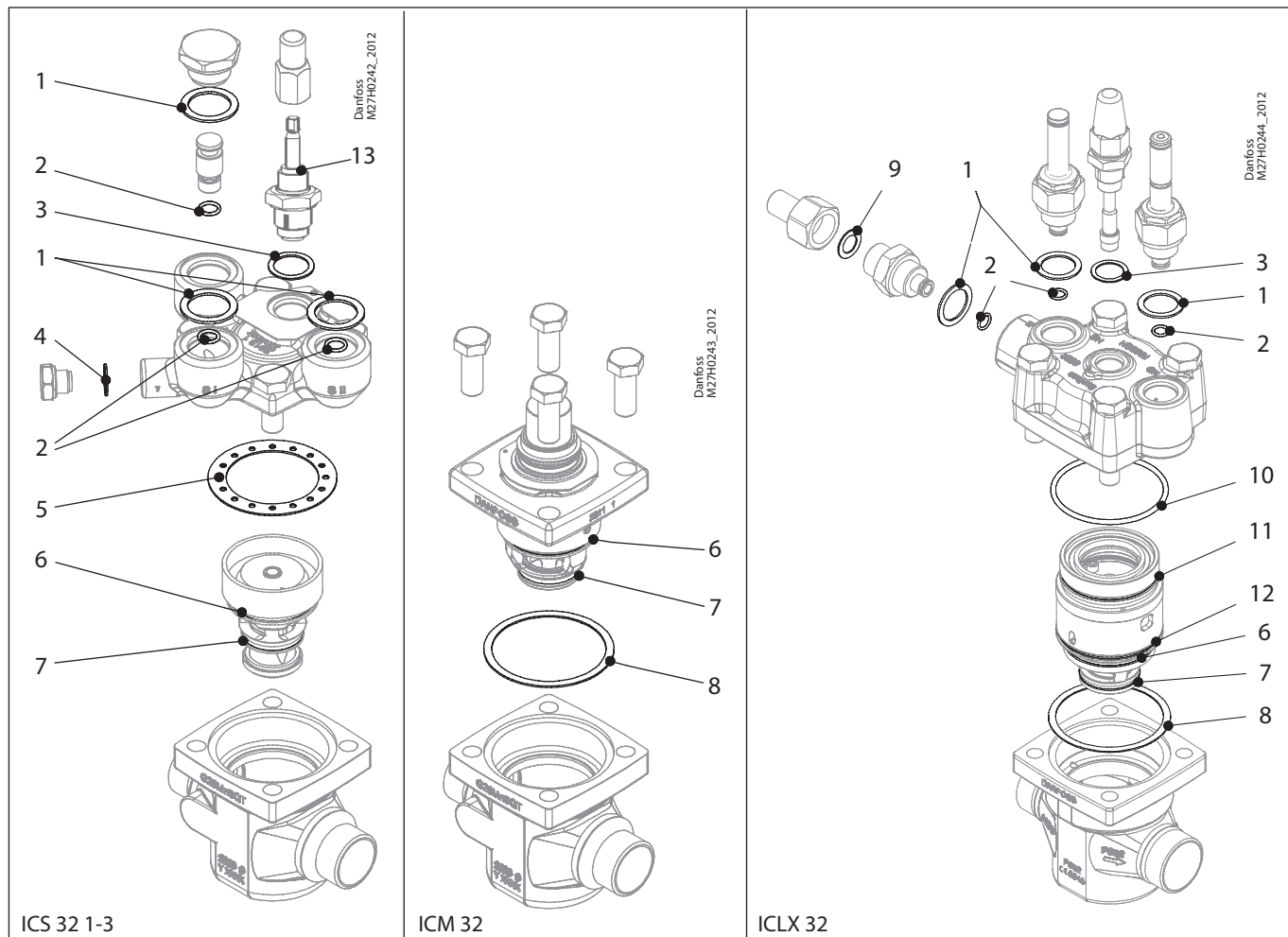


ICS 25-5 1-3 / 25-25 1-3

ICM 25

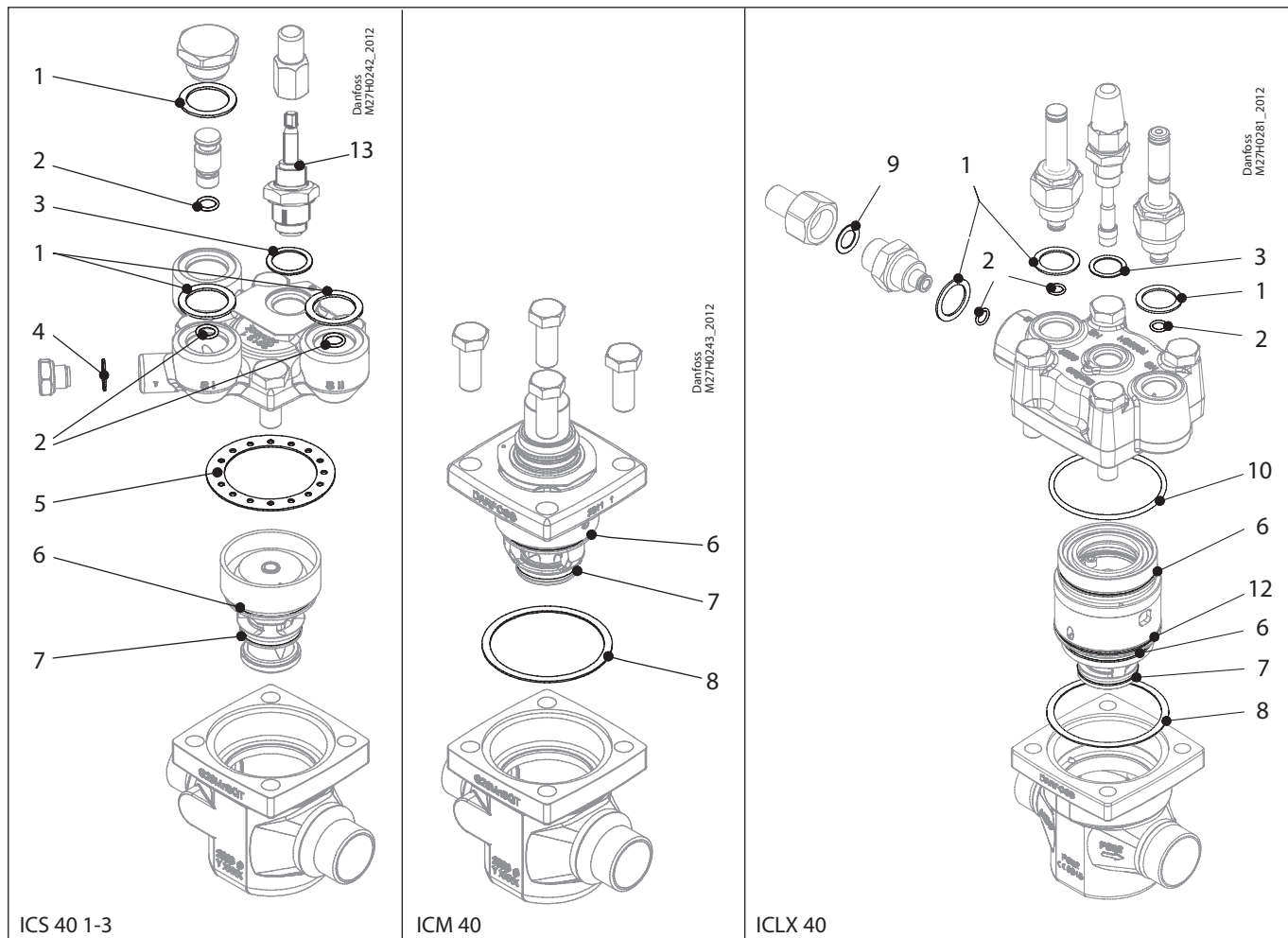
<p><b>1</b>  = Fibre</p> <p>Total no. = 3</p>	<p><b>2</b>  = Alu.</p> <p>Total no. = 3</p>	<p><b>3</b>  = Alu.</p> <p>Total no. = 1</p>	<p><b>4</b>  = Alu.</p> <p>Total no. = 1</p>	<p><b>5</b>  = Fibre</p> <p>Total no. = 1</p>
<p><b>6</b>  = Alu.</p> <p>Total no. = 1</p>	<p><b>7</b>  = Alu.</p> <p>Total no. = 2</p>	<p><b>8</b>  = Fibre</p> <p>Total no. = 1</p>	<p><b>13</b>  = Fibre</p> <p>Total no. = 1</p>	

### Inspection kit | Code number 027H3016 ICS, size 32 (1-3) / ICM, size 32 / ICLX, size 32



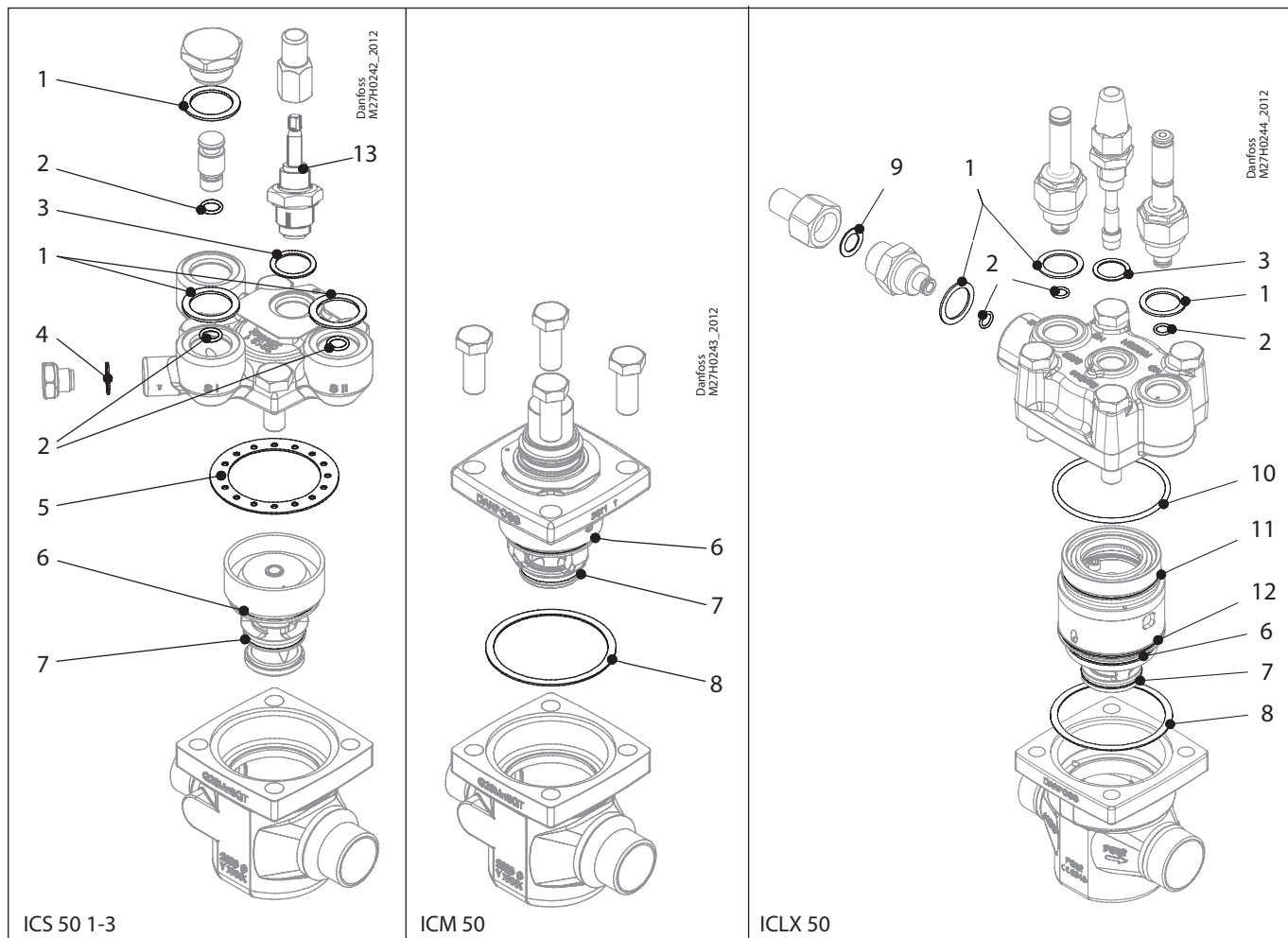
<p><b>1</b></p> <p> = Fibre</p> <p>Total no. = 3</p>	<p><b>2</b></p> <p>Total no. = 3</p>	<p><b>3</b></p> <p> = Alu.</p> <p>Total no. = 1</p>	<p><b>4</b></p> <p> = Alu.</p> <p>Total no. = 1</p>	<p><b>5</b></p> <p> = Fibre</p> <p>Total no. = 1</p>
<p><b>6</b></p> <p>Total no. = 1</p>	<p><b>7</b></p> <p>Total no. = 1</p>	<p><b>8</b></p> <p> = Fibre</p> <p>Total no. = 1</p>	<p><b>9</b></p> <p> = Alu.</p> <p>Total no. = 1</p>	<p><b>10</b></p> <p>Total no. = 1</p>
<p><b>11</b></p> <p>Total no. = 1</p>	<p><b>12</b></p> <p>Total no. = 1</p>	<p><b>13</b></p> <p>Total no. = 1</p>		

Inspection kit | Code number 027H4014  
ICS, size 40 (1-3) / ICM, size 40 / ICLX, size 40



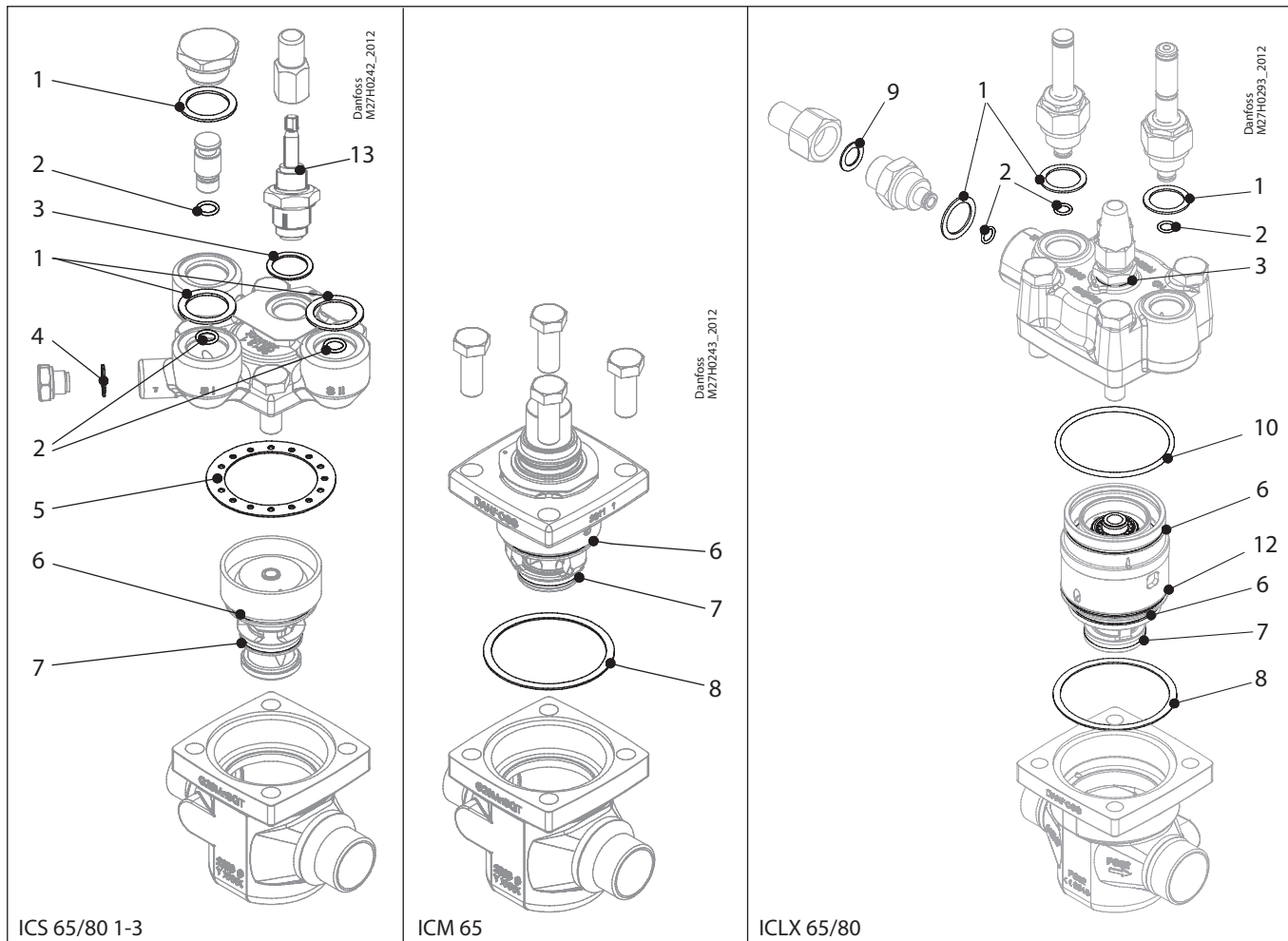
<p><b>1</b></p> <p> = Fibre</p> <p></p> <p>Total no. = 3</p>	<p><b>2</b></p> <p></p> <p></p> <p>Total no. = 3</p>	<p><b>3</b></p> <p> = Alu.</p> <p></p> <p>Total no. = 1</p>	<p><b>4</b></p> <p> = Alu.</p> <p></p> <p>Total no. = 1</p>	<p><b>5</b></p> <p> = Fibre</p> <p></p> <p>Total no. = 1</p>
<p><b>6</b></p> <p></p> <p></p> <p>Total no. = 2</p>	<p><b>7</b></p> <p></p> <p></p> <p>Total no. = 1</p>	<p><b>8</b></p> <p> = Fibre</p> <p></p> <p>Total no. = 1</p>	<p><b>9</b></p> <p> = Alu.</p> <p></p> <p>Total no. = 1</p>	<p><b>10</b></p> <p></p> <p></p> <p>Total no. = 1</p>
<p><b>12</b></p> <p></p> <p></p> <p>Total no. = 1</p>	<p><b>13</b></p> <p></p> <p></p> <p>Total no. = 1</p>			

Inspection kit | Code number 027H5014  
ICS, size 50 (1-3) / ICM, size 50 / ICLX, size 50



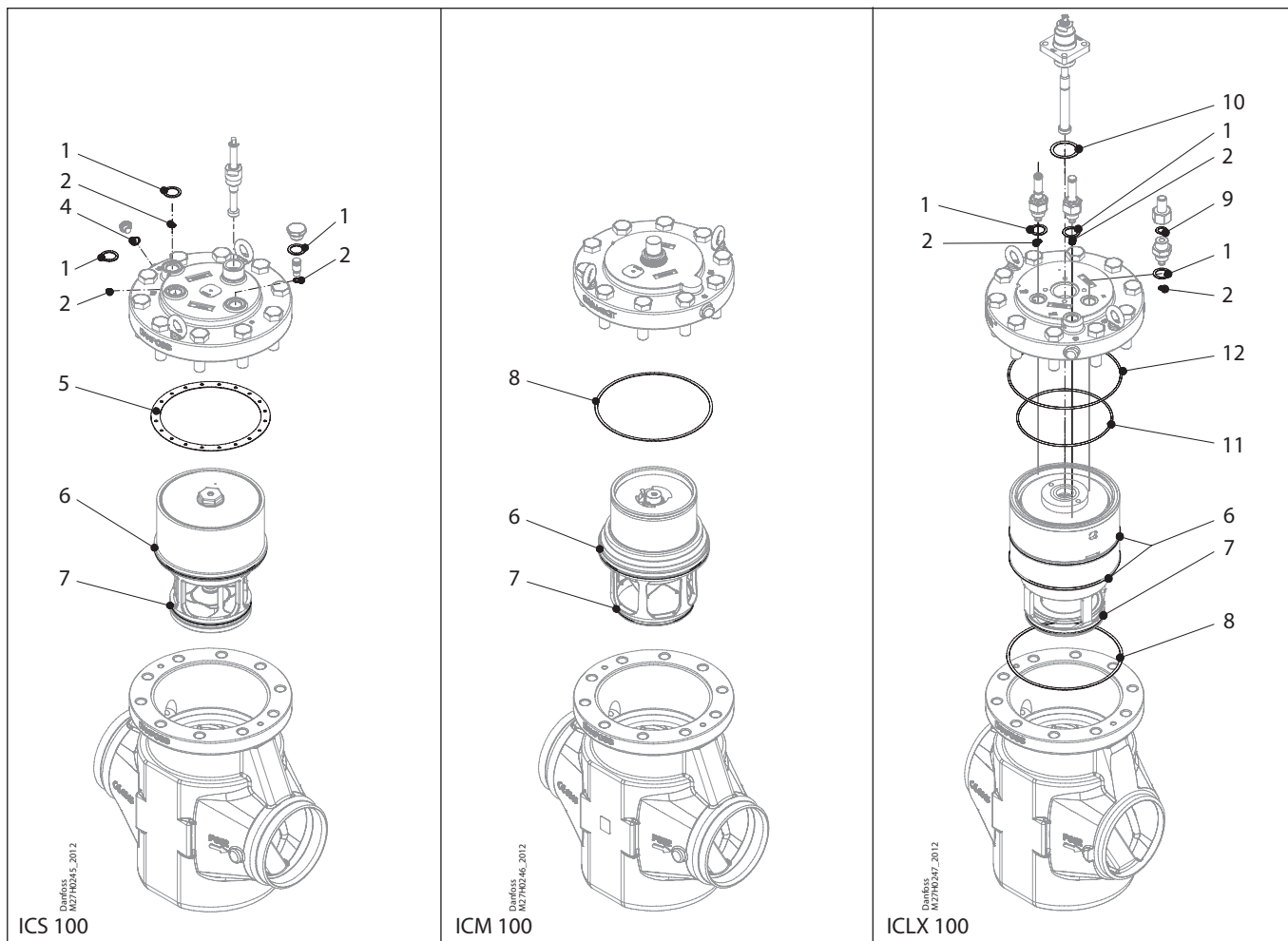
<p><b>1</b></p> <p> = Fibre</p> <p>Total no. = 3</p>	<p><b>2</b></p> <p>Total no. = 3</p>	<p><b>3</b></p> <p> = Alu.</p> <p>Total no. = 1</p>	<p><b>4</b></p> <p> = Alu.</p> <p>Total no. = 1</p>	<p><b>5</b></p> <p> = Fibre</p> <p>Total no. = 1</p>
<p><b>6</b></p> <p>Total no. = 1</p>	<p><b>7</b></p> <p>Total no. = 1</p>	<p><b>8</b></p> <p> = Fibre</p> <p>Total no. = 1</p>	<p><b>9</b></p> <p> = Alu.</p> <p>Total no. = 1</p>	<p><b>10</b></p> <p>Total no. = 1</p>
<p><b>11</b></p> <p>Total no. = 1</p>	<p><b>12</b></p> <p>Total no. = 1</p>	<p><b>13</b></p> <p>Total no. = 1</p>		

**Inspection kit | Code number 027H6016**  
**ICS, size 65/80 (1-3) / ICM, size 65 / ICLX, size 65/80**



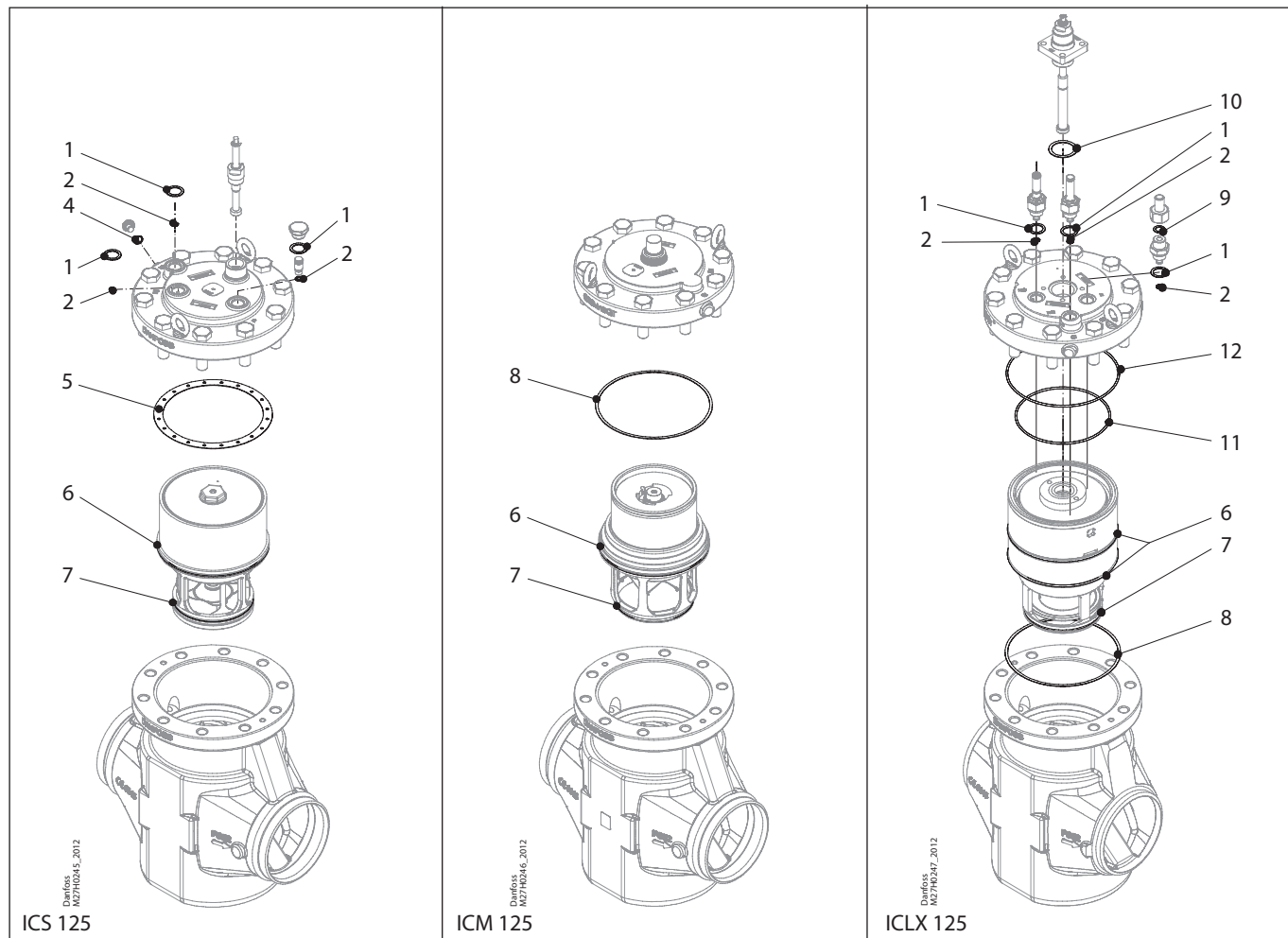
<p><b>1</b></p> <p> = Fibre</p> <p>Total no. = 3</p>	<p><b>2</b></p> <p> = Fibre</p> <p>Total no. = 3</p>	<p><b>3</b></p> <p> = Alu.</p> <p>Total no. = 1</p>	<p><b>4</b></p> <p> = Alu.</p> <p>Total no. = 1</p>	<p><b>5</b></p> <p> = Fibre</p> <p>Total no. = 1</p>
<p><b>6</b></p> <p> = Fibre</p> <p>Total no. = 2</p>	<p><b>7</b></p> <p> = Fibre</p> <p>Total no. = 1</p>	<p><b>8</b></p> <p> = Fibre</p> <p>Total no. = 1</p>	<p><b>9</b></p> <p> = Alu.</p> <p>Total no. = 1</p>	<p><b>10</b></p> <p> = Fibre</p> <p>Total no. = 1</p>
<p><b>12</b></p> <p> = Fibre</p> <p>Total no. = 1</p>	<p><b>13</b></p> <p> = Fibre</p> <p>Total no. = 1</p>			

Inspection kit | Code number 027H7191  
ICS, size 100 / ICM, size 100 / ICLX, size 100



<p><b>1</b></p> <p> = Fibre</p> <p>Ø32.5 mm Ø1.28"</p> <p>Total no. = 3</p>	<p><b>2</b></p> <p> <math>\emptyset</math></p> <p>Ø9 mm Ø0.36"</p> <p>Total no. = 3</p>	<p><b>4</b></p> <p> = Alu.</p> <p>Ø18 mm Ø0.7"</p> <p>Total no. = 1</p>	<p><b>5</b></p> <p> = Fibre</p> <p>Ø150 mm Ø5.91"</p> <p>Total no. = 1</p>	<p><b>6</b></p> <p> <math>\emptyset</math></p> <p>Ø133 mm Ø5.24"</p> <p>Total no. = 2</p>
<p><b>7</b></p> <p> <math>\emptyset</math></p> <p>Ø88 mm Ø3.46"</p> <p>Total no. = 1</p>	<p><b>8</b></p> <p> = Fibre</p> <p>Ø150 mm Ø5.91"</p> <p>Total no. = 1</p>	<p><b>9</b></p> <p> = Alu.</p> <p>Ø22 mm Ø0.87"</p> <p>Total no. = 1</p>	<p><b>10</b></p> <p> = Fibre</p> <p>Ø39 mm Ø1.54"</p> <p>Total no. = 1</p>	<p><b>11</b></p> <p> <math>\emptyset</math></p> <p>Ø114 mm Ø4.49"</p> <p>Total no. = 1</p>
<p><b>12</b></p> <p> <math>\emptyset</math></p> <p>Ø142 mm Ø5.59"</p> <p>Total no. = 1</p>				

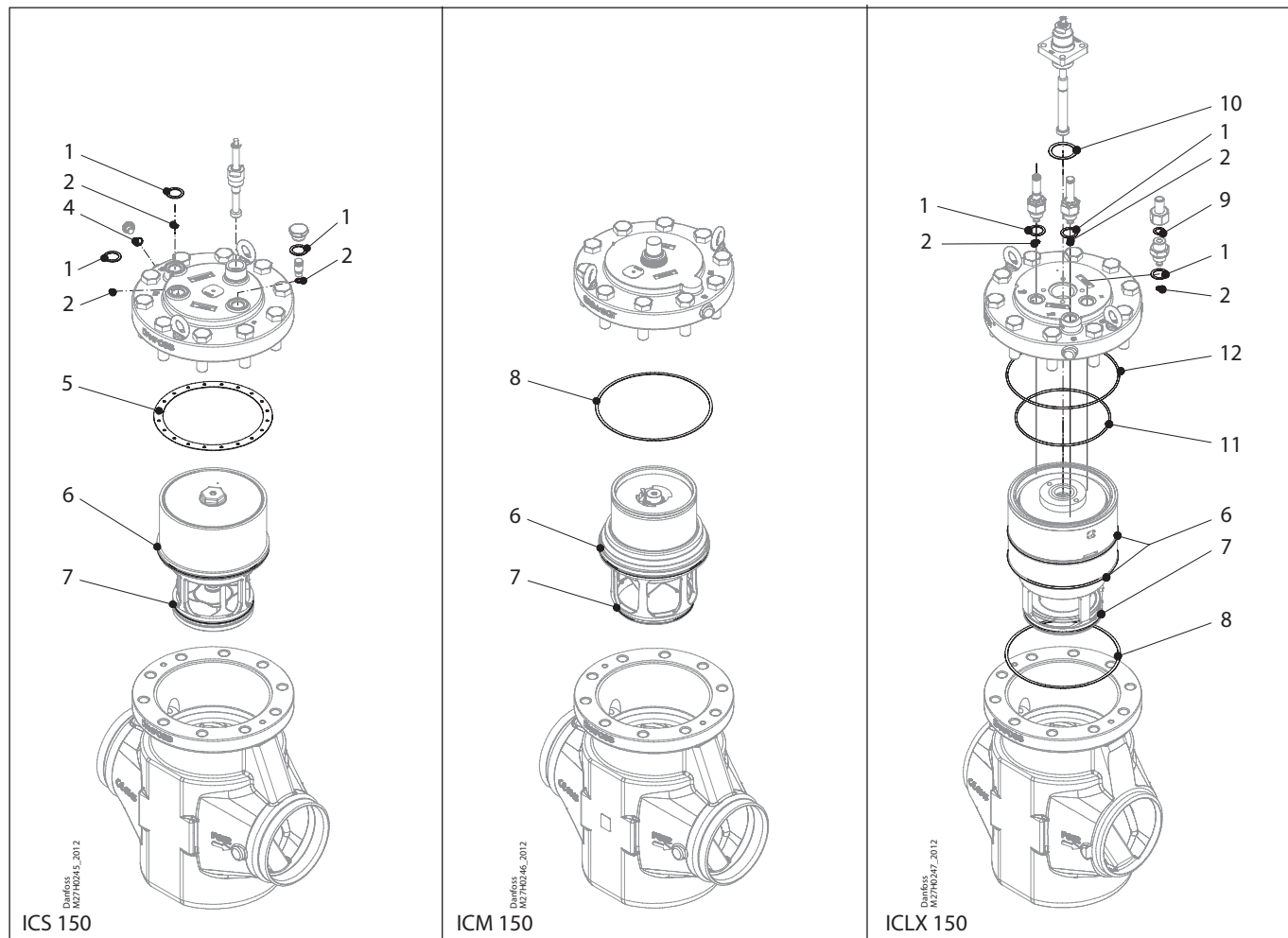
Inspection kit | Code number 027H7194  
ICS, size 125 / ICM, size 125 / ICLX, size 125



<p><b>1</b>  = Fibre</p> <p>Total no. = 3</p>	<p><b>2</b>  = Al.</p> <p>Total no. = 3</p>	<p><b>4</b>  = Al.</p> <p>Total no. = 1</p>	<p><b>5</b>  = Fibre</p> <p>Total no. = 1</p>	<p><b>6</b>  = Al.</p> <p>Total no. = 2</p>
<p><b>7</b>  = Al.</p> <p>Total no. = 1</p>	<p><b>8</b>  = Fibre</p> <p>Total no. = 1</p>	<p><b>9</b>  = Al.</p> <p>Total no. = 1</p>	<p><b>10</b>  = Fibre</p> <p>Total no. = 1</p>	<p><b>11</b>  = Al.</p> <p>Total no. = 1</p>
<p><b>12</b>  = Al.</p> <p>Total no. = 1</p>				

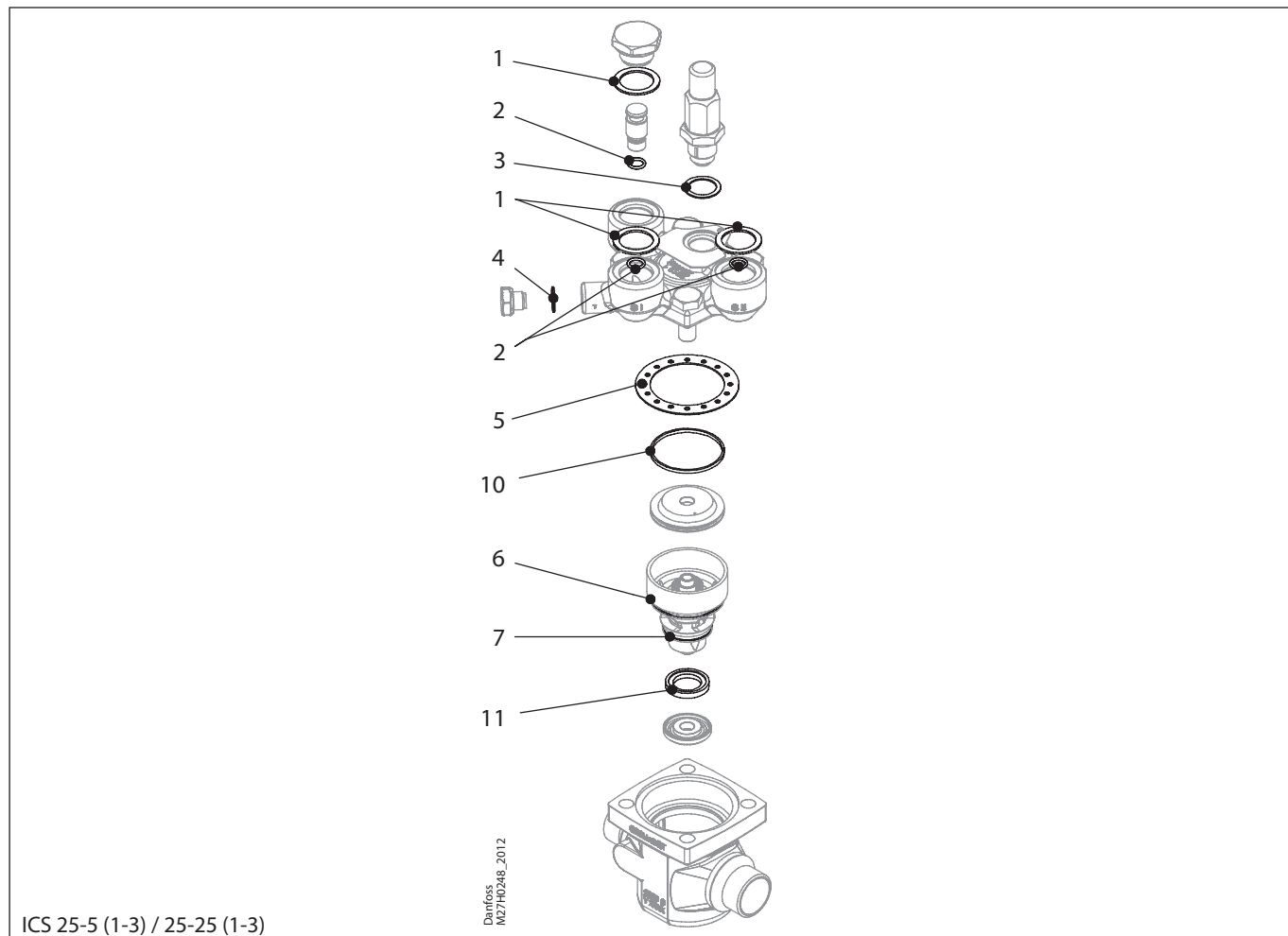


Inspection kit | Code number 027H7196  
ICS, size 150 / ICM, size 150 / ICLX, size 150



<p><b>1</b>  = Fibre</p> <p>Total no. = 3</p>	<p><b>2</b> </p> <p>Total no. = 3</p>	<p><b>4</b>  = Alu.</p> <p>Total no. = 1</p>	<p><b>5</b>  = Fibre</p> <p>Total no. = 1</p>	<p><b>6</b> </p> <p>Total no. = 2</p>
<p><b>7</b> </p> <p>Total no. = 1</p>	<p><b>8</b>  = Fibre</p> <p>Total no. = 1</p>	<p><b>9</b>  = Alu.</p> <p>Total no. = 1</p>	<p><b>10</b>  = Fibre</p> <p>Total no. = 1</p>	<p><b>11</b> </p> <p>Total no. = 1</p>
<p><b>12</b> </p> <p>Total no. = 1</p>				

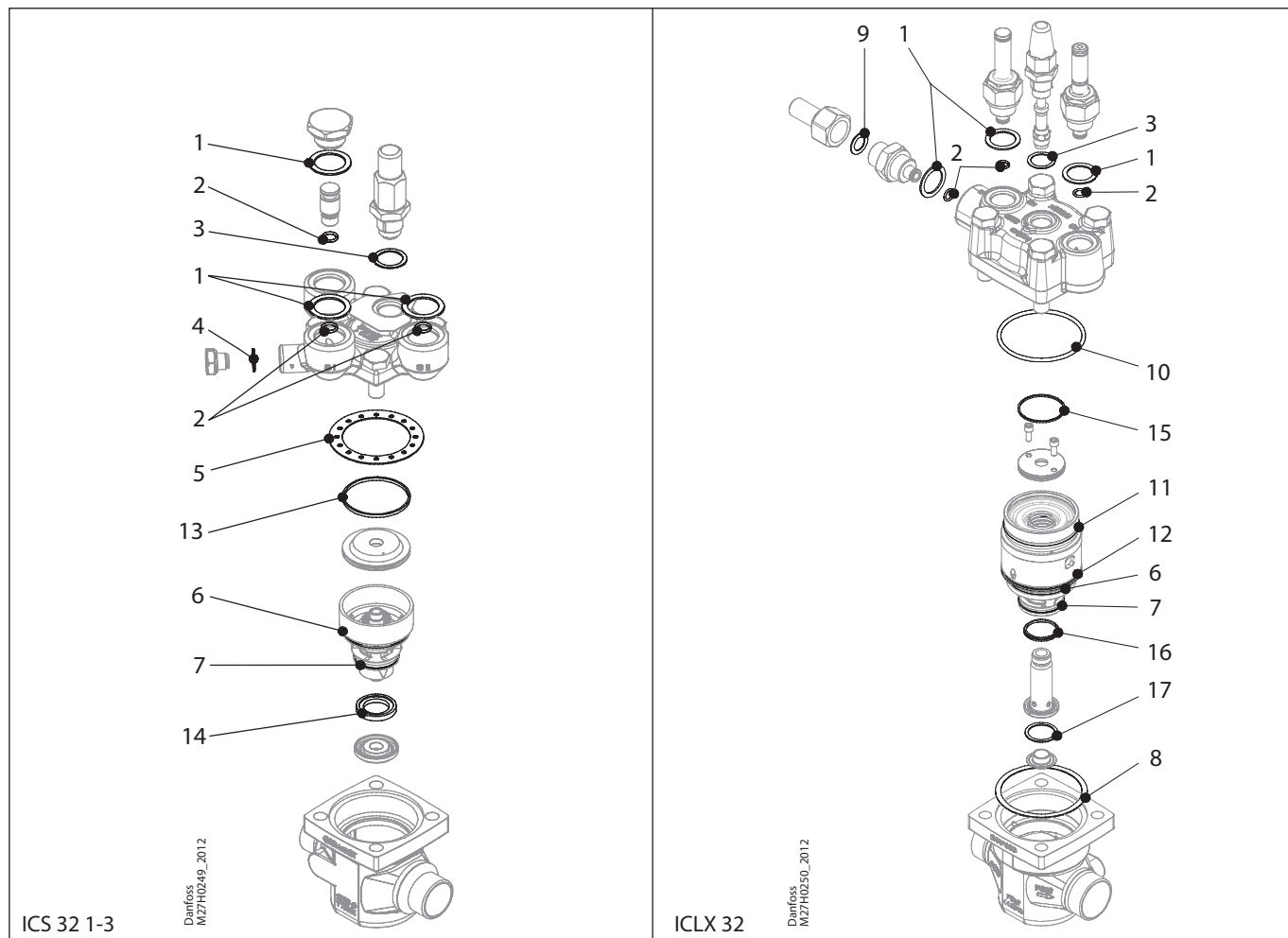
Repair kit | Code number 027H2219  
ICS, size 25-5 to 25-25



ICS 25-5 (1-3) / 25-25 (1-3)

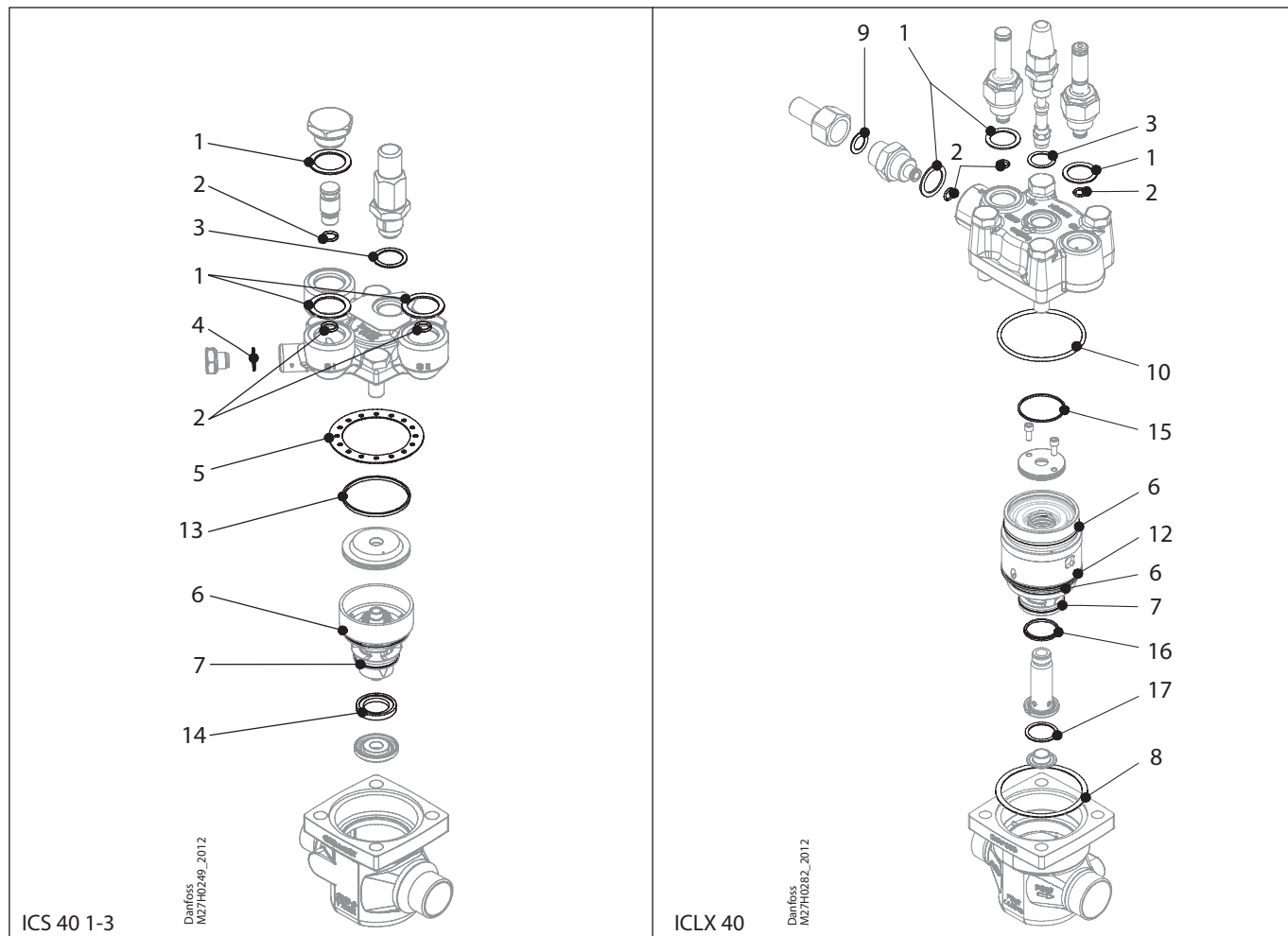
<p><b>1</b></p> <p> = Fibre</p> <p>Total no. = 3</p>	<p><b>2</b></p> <p>Total no. = 3</p>	<p><b>3</b></p> <p> = Alu.</p> <p>Total no. = 1</p>	<p><b>4</b></p> <p> = Alu.</p> <p>Total no. = 1</p>	<p><b>5</b></p> <p> = Fibre</p> <p>Total no. = 1</p>
<p><b>6</b></p> <p>Total no. = 1</p>	<p><b>7</b></p> <p>Total no. = 1</p>	<p><b>10</b></p> <p> = Steel</p> <p>Total no. = 1</p>	<p><b>11</b></p> <p>Total no. = 1</p>	

Repair kit | Code number 027H3017  
ICS, size 32 (1-3) / ICLX, size 32



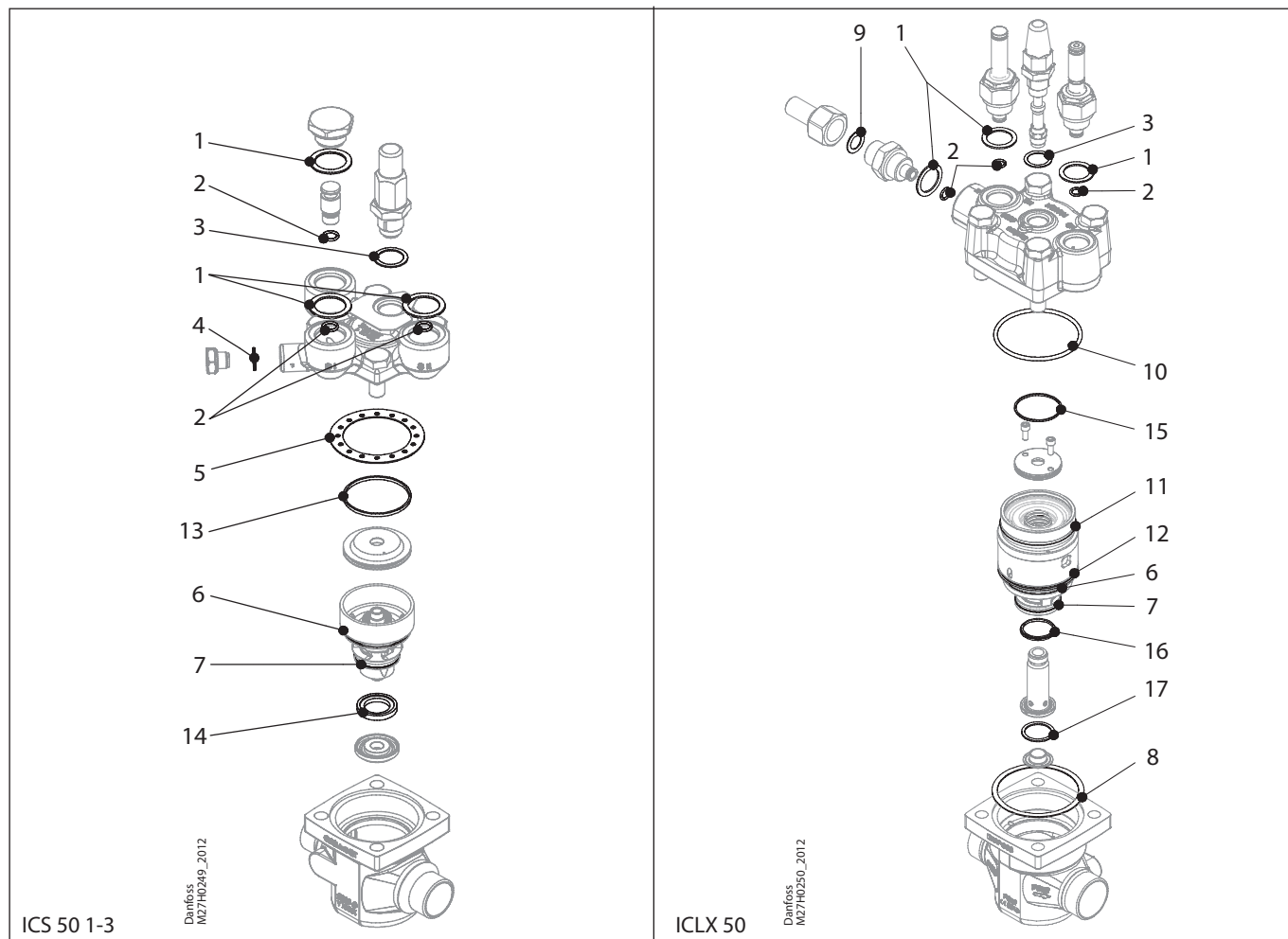
<p><b>1</b></p> <p> = Fibre</p> <p>Total no. = 3</p>	<p><b>2</b></p> <p>Total no. = 3</p>	<p><b>3</b></p> <p> = Alu.</p> <p>Total no. = 1</p>	<p><b>4</b></p> <p> = Alu.</p> <p>Total no. = 1</p>	<p><b>5</b></p> <p> = Fibre</p> <p>Total no. = 1</p>	<p><b>6</b></p> <p>Total no. = 1</p>
<p><b>7</b></p> <p>Total no. = 1</p>	<p><b>8</b></p> <p> = Fibre</p> <p>Total no. = 1</p>	<p><b>9</b></p> <p> = Alu.</p> <p>Total no. = 1</p>	<p><b>10</b></p> <p>Total no. = 1</p>	<p><b>11</b></p> <p>Total no. = 1</p>	<p><b>12</b></p> <p>Total no. = 1</p>
<p><b>13</b></p> <p> = Steel</p> <p>Total no. = 1</p>	<p><b>14</b></p> <p> = PTFE</p> <p>Total no. = 1</p>	<p><b>15</b></p> <p> = Steel</p> <p>Total no. = 1</p>	<p><b>16</b></p> <p> = PTFE</p> <p>Total no. = 1</p>	<p><b>17</b></p> <p> = PTFE</p> <p>Total no. = 1</p>	

Repair kit | Code number 027H4015  
ICS, size 40 (1-3) / ICLX, size 40



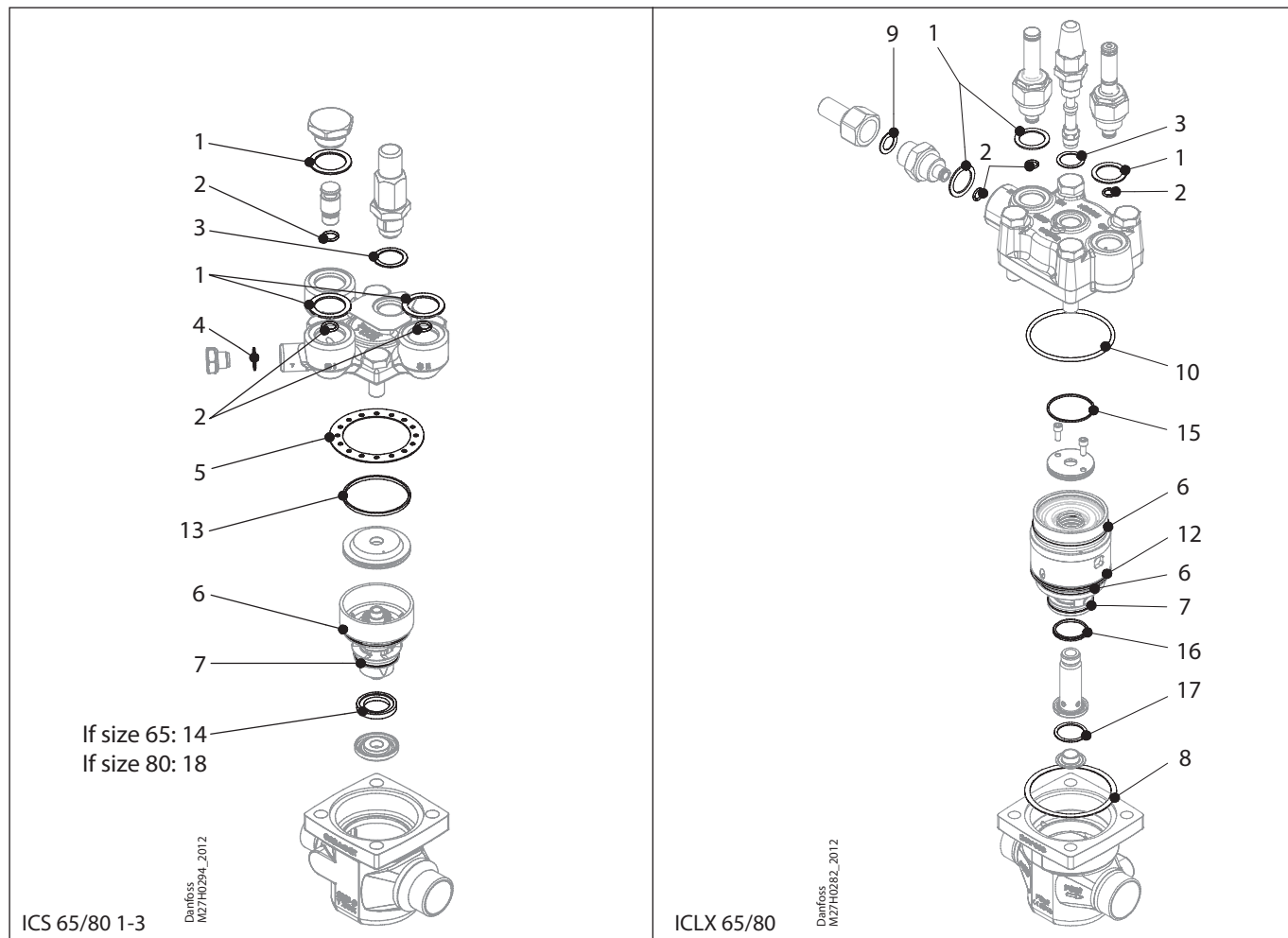
<p><b>1</b></p> <p> = Fibre</p> <p>Total no. = 3</p>	<p><b>2</b></p> <p> = Fibre</p> <p>Total no. = 3</p>	<p><b>3</b></p> <p> = Alu.</p> <p>Total no. = 1</p>	<p><b>4</b></p> <p> = Alu.</p> <p>Total no. = 1</p>	<p><b>5</b></p> <p> = Fibre</p> <p>Total no. = 1</p>	<p><b>6</b></p> <p> = Steel</p> <p>Total no. = 2</p>
<p><b>7</b></p> <p> = Steel</p> <p>Total no. = 1</p>	<p><b>8</b></p> <p> = Fibre</p> <p>Total no. = 1</p>	<p><b>9</b></p> <p> = Alu.</p> <p>Total no. = 1</p>	<p><b>10</b></p> <p> = Steel</p> <p>Total no. = 1</p>	<p><b>12</b></p> <p> = Steel</p> <p>Total no. = 1</p>	<p><b>13</b></p> <p> = Steel</p> <p>Total no. = 1</p>
<p><b>14</b></p> <p> = PTFE</p> <p>Total no. = 1</p>	<p><b>15</b></p> <p> = Steel</p> <p>Total no. = 1</p>	<p><b>16</b></p> <p> = PTFE</p> <p>Total no. = 1</p>	<p><b>17</b></p> <p> = PTFE</p> <p>Total no. = 1</p>		

Repair kit | Code number 027H5015  
ICS, size 50 (1-3) / ICLX, size 50



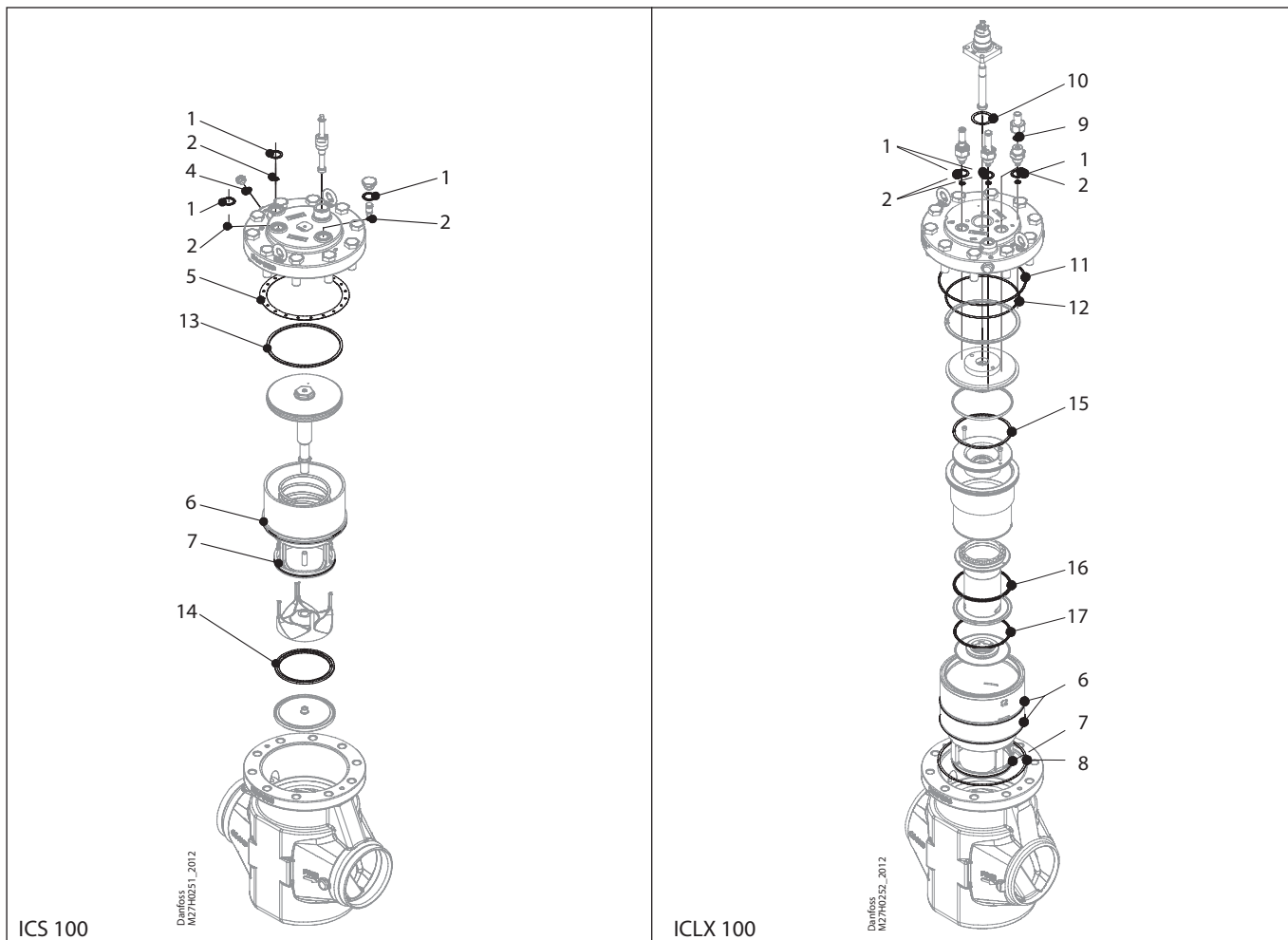
<p><b>1</b></p> <p> = Fibre</p> <p>Total no. = 3</p>	<p><b>2</b></p> <p> = Al.</p> <p>Total no. = 3</p>	<p><b>3</b></p> <p> = Al.</p> <p>Total no. = 1</p>	<p><b>4</b></p> <p> = Al.</p> <p>Total no. = 1</p>	<p><b>5</b></p> <p> = Fibre</p> <p>Total no. = 1</p>	<p><b>6</b></p> <p> = Al.</p> <p>Total no. = 1</p>
<p><b>7</b></p> <p> = Al.</p> <p>Total no. = 1</p>	<p><b>8</b></p> <p> = Fibre</p> <p>Total no. = 1</p>	<p><b>9</b></p> <p> = Al.</p> <p>Total no. = 1</p>	<p><b>10</b></p> <p> = Al.</p> <p>Total no. = 1</p>	<p><b>11</b></p> <p> = Al.</p> <p>Total no. = 1</p>	<p><b>12</b></p> <p> = Al.</p> <p>Total no. = 1</p>
<p><b>13</b></p> <p> = Steel</p> <p>Total no. = 1</p>	<p><b>14</b></p> <p> = PTFE</p> <p>Total no. = 1</p>	<p><b>15</b></p> <p> = Steel</p> <p>Total no. = 1</p>	<p><b>16</b></p> <p> = PTFE</p> <p>Total no. = 1</p>	<p><b>17</b></p> <p> = PTFE</p> <p>Total no. = 1</p>	

Repair kit | Code number 027H6017  
ICS, size 65/80 (1-3) / ICLX, size 65/80



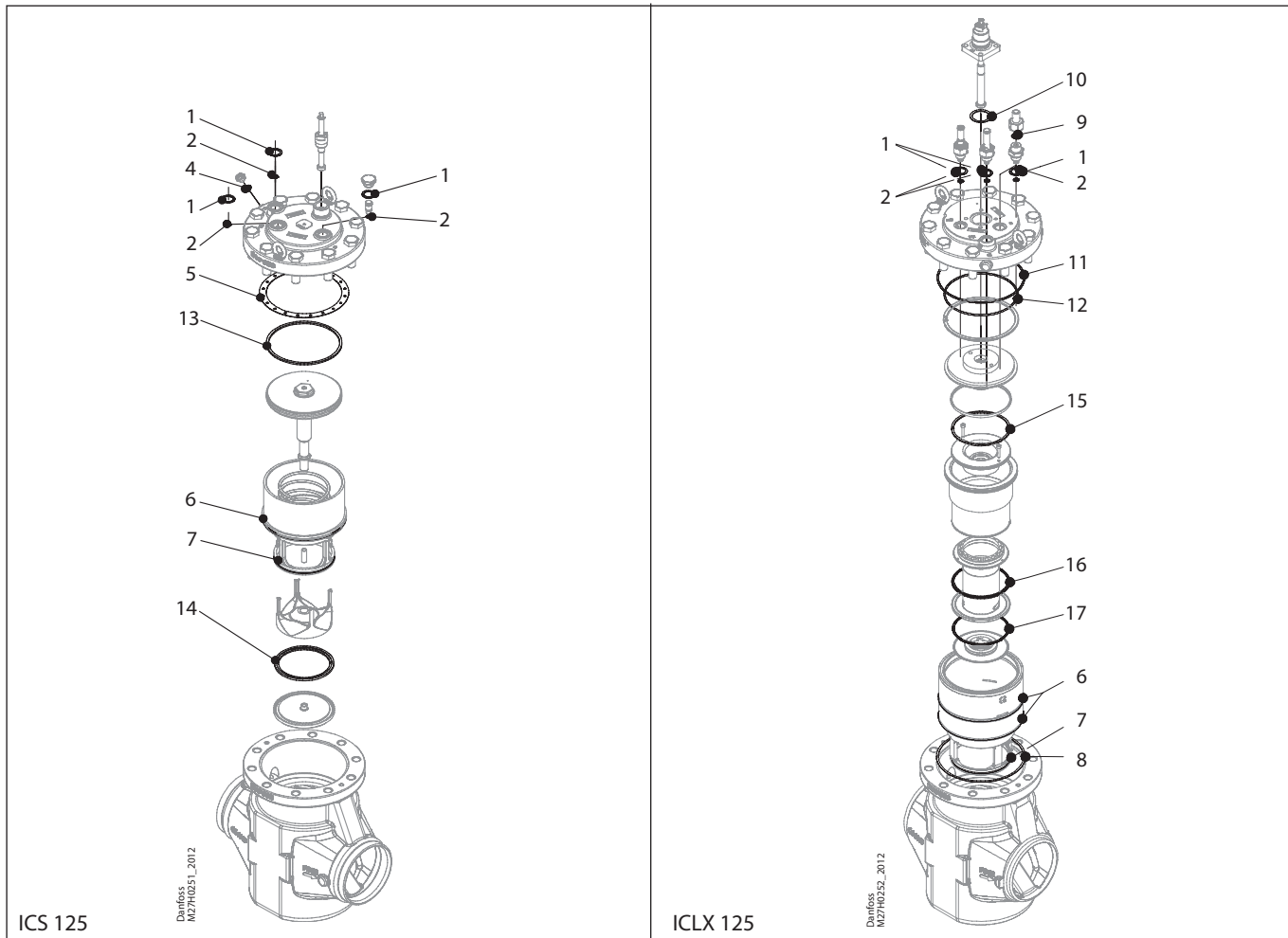
<p><b>1</b></p> <p> = Fibre</p> <p></p> <p>Total no. = 3</p>	<p><b>2</b></p> <p></p> <p></p> <p>Total no. = 3</p>	<p><b>3</b></p> <p> = Alu.</p> <p></p> <p>Total no. = 1</p>	<p><b>4</b></p> <p> = Alu.</p> <p></p> <p>Total no. = 1</p>	<p><b>5</b></p> <p> = Fibre</p> <p></p> <p>Total no. = 1</p>	<p><b>6</b></p> <p></p> <p></p> <p>Total no. = 2</p>
<p><b>7</b></p> <p></p> <p></p> <p>Total no. = 1</p>	<p><b>8</b></p> <p> = Fibre</p> <p></p> <p>Total no. = 1</p>	<p><b>9</b></p> <p> = Alu.</p> <p></p> <p>Total no. = 1</p>	<p><b>10</b></p> <p></p> <p></p> <p>Total no. = 1</p>	<p><b>12</b></p> <p></p> <p></p> <p>Total no. = 1</p>	<p><b>13</b></p> <p> = Steel</p> <p></p> <p>Total no. = 1</p>
<p><b>14</b></p> <p> = PTFE</p> <p></p> <p>Total no. = 1</p>	<p><b>15</b></p> <p> = Steel</p> <p></p> <p>Total no. = 1</p>	<p><b>16</b></p> <p> = PTFE</p> <p></p> <p>Total no. = 1</p>	<p><b>17</b></p> <p> = PTFE</p> <p></p> <p>Total no. = 1</p>	<p><b>18</b></p> <p></p> <p></p> <p>Total no. = 1</p>	

Repair kit | Code number 027H7192  
ICS, size 100 / ICLX, size 100



<p><b>1</b></p> <p><math>\text{Ø}32.5 \text{ mm}</math> <math>\text{Ø}1.28''</math></p> <p>Total no. = 3</p>	<p><b>2</b></p> <p><math>\text{Ø}9 \text{ mm}</math> <math>\text{Ø}0.36''</math></p> <p>Total no. = 3</p>	<p><b>4</b></p> <p><math>\text{Ø}18 \text{ mm}</math> <math>\text{Ø}0.7''</math></p> <p>Total no. = 1</p>	<p><b>5</b></p> <p><math>\text{Ø}150 \text{ mm}</math> <math>\text{Ø}5.91''</math></p> <p>Total no. = 1</p>	<p><b>6</b></p> <p><math>\text{Ø}133 \text{ mm}</math> <math>\text{Ø}5.24''</math></p> <p>Total no. = 2</p>	<p><b>7</b></p> <p><math>\text{Ø}88 \text{ mm}</math> <math>\text{Ø}3.46''</math></p> <p>Total no. = 1</p>
<p><b>8</b></p> <p><math>\text{Ø}150 \text{ mm}</math> <math>\text{Ø}5.91''</math></p> <p>Total no. = 1</p>	<p><b>9</b></p> <p><math>\text{Ø}22 \text{ mm}</math> <math>\text{Ø}0.87''</math></p> <p>Total no. = 1</p>	<p><b>10</b></p> <p><math>\text{Ø}39 \text{ mm}</math> <math>\text{Ø}1.54''</math></p> <p>Total no. = 1</p>	<p><b>11</b></p> <p><math>\text{Ø}114 \text{ mm}</math> <math>\text{Ø}4.5''</math></p> <p>Total no. = 1</p>	<p><b>12</b></p> <p><math>\text{Ø}142 \text{ mm}</math> <math>\text{Ø}5.59''</math></p> <p>Total no. = 1</p>	<p><b>13</b></p> <p><math>\text{Ø}120 \text{ mm}</math> <math>\text{Ø}4.72''</math></p> <p>Total no. = 1</p>
<p><b>14</b></p> <p><math>\text{Ø}90 \text{ mm}</math> <math>\text{Ø}3.54''</math></p> <p>Total no. = 1</p>	<p><b>15</b></p> <p><math>\text{Ø}100 \text{ mm}</math> <math>\text{Ø}3.94''</math></p> <p>Total no. = 1</p>	<p><b>16</b></p> <p><math>\text{Ø}88 \text{ mm}</math> <math>\text{Ø}3.46''</math></p> <p>Total no. = 1</p>	<p><b>17</b></p> <p><math>\text{Ø}85 \text{ mm}</math> <math>\text{Ø}3.33''</math></p> <p>Total no. = 1</p>		

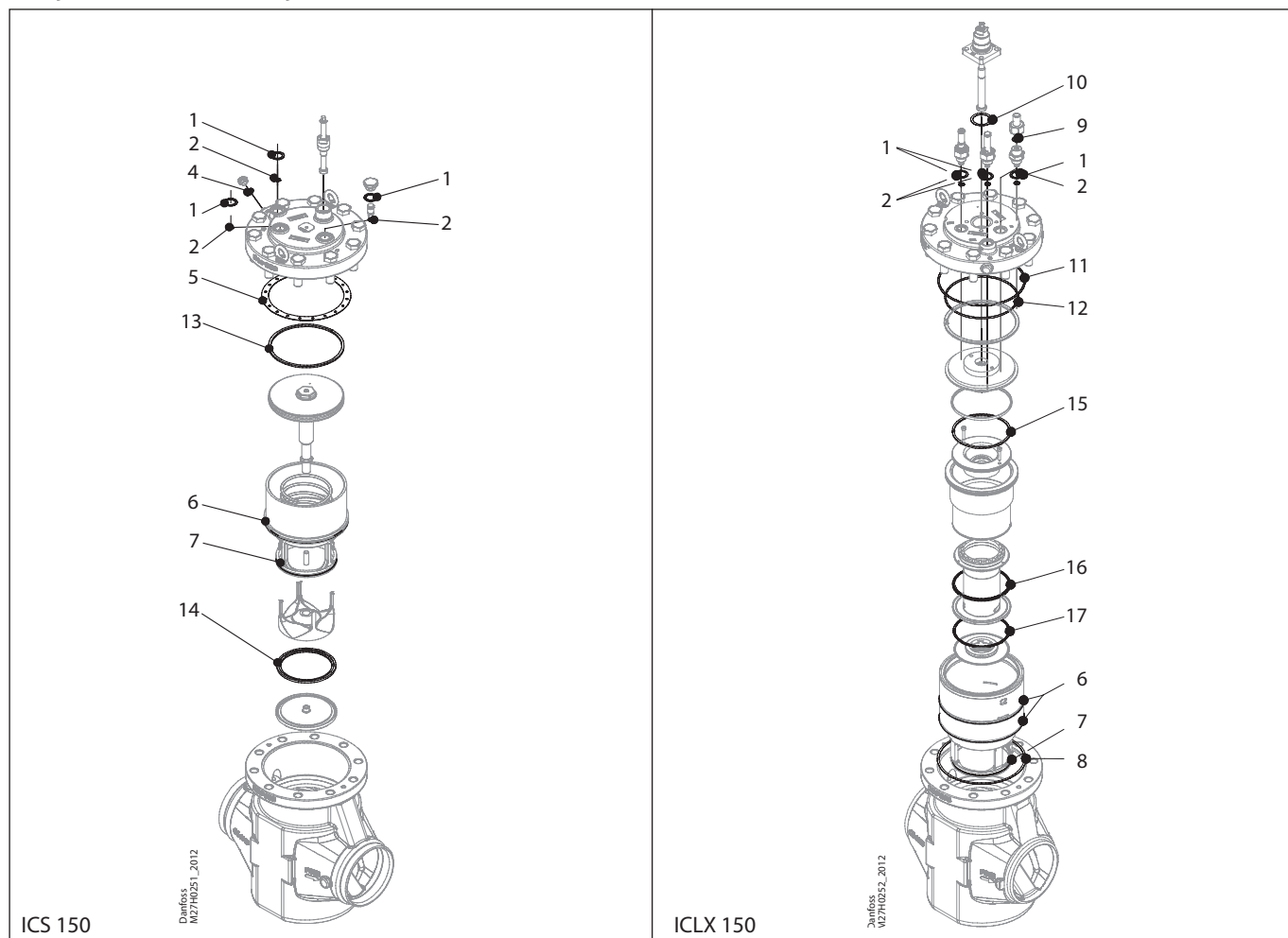
Repair kit | Code number 027H7204  
ICS, size 125 / ICLX, size 125



<p><b>1</b></p> <p><math>\text{Ø}32.5 \text{ mm}</math> <math>\text{Ø}1.28''</math></p> <p>Total no. = 3</p>	<p><b>2</b></p> <p><math>\text{Ø}9 \text{ mm}</math> <math>\text{Ø}0.36''</math></p> <p>Total no. = 3</p>	<p><b>4</b></p> <p><math>\text{Ø}18 \text{ mm}</math> <math>\text{Ø}0.7''</math></p> <p>Total no. = 1</p>	<p><b>5</b></p> <p><math>\text{Ø}178 \text{ mm}</math> <math>\text{Ø}7.01''</math></p> <p>Total no. = 1</p>	<p><b>6</b></p> <p><math>\text{Ø}158 \text{ mm}</math> <math>\text{Ø}6.22''</math></p> <p>Total no. = 2</p>	<p><b>7</b></p> <p><math>\text{Ø}114 \text{ mm}</math> <math>\text{Ø}4.49''</math></p> <p>Total no. = 1</p>
<p><b>8</b></p> <p><math>\text{Ø}178 \text{ mm}</math> <math>\text{Ø}7.01''</math></p> <p>Total no. = 1</p>	<p><b>9</b></p> <p><math>\text{Ø}22 \text{ mm}</math> <math>\text{Ø}0.87''</math></p> <p>Total no. = 1</p>	<p><b>10</b></p> <p><math>\text{Ø}54 \text{ mm}</math> <math>\text{Ø}2.13''</math></p> <p>Total no. = 1</p>	<p><b>11</b></p> <p><math>\text{Ø}133 \text{ mm}</math> <math>\text{Ø}5.24''</math></p> <p>Total no. = 1</p>	<p><b>12</b></p> <p><math>\text{Ø}165 \text{ mm}</math> <math>\text{Ø}6.5''</math></p> <p>Total no. = 1</p>	<p><b>13</b></p> <p><math>\text{Ø}145 \text{ mm}</math> <math>\text{Ø}5.71''</math></p> <p>Total no. = 1</p>
<p><b>14</b></p> <p><math>\text{Ø}112 \text{ mm}</math> <math>\text{Ø}4.39''</math></p> <p>Total no. = 1</p>	<p><b>15</b></p> <p><math>\text{Ø}120 \text{ mm}</math> <math>\text{Ø}4.72''</math></p> <p>Total no. = 1</p>	<p><b>16</b></p> <p><math>\text{Ø}114 \text{ mm}</math> <math>\text{Ø}4.49''</math></p> <p>Total no. = 1</p>	<p><b>17</b></p> <p><math>\text{Ø}110 \text{ mm}</math> <math>\text{Ø}4.33''</math></p> <p>Total no. = 1</p>		

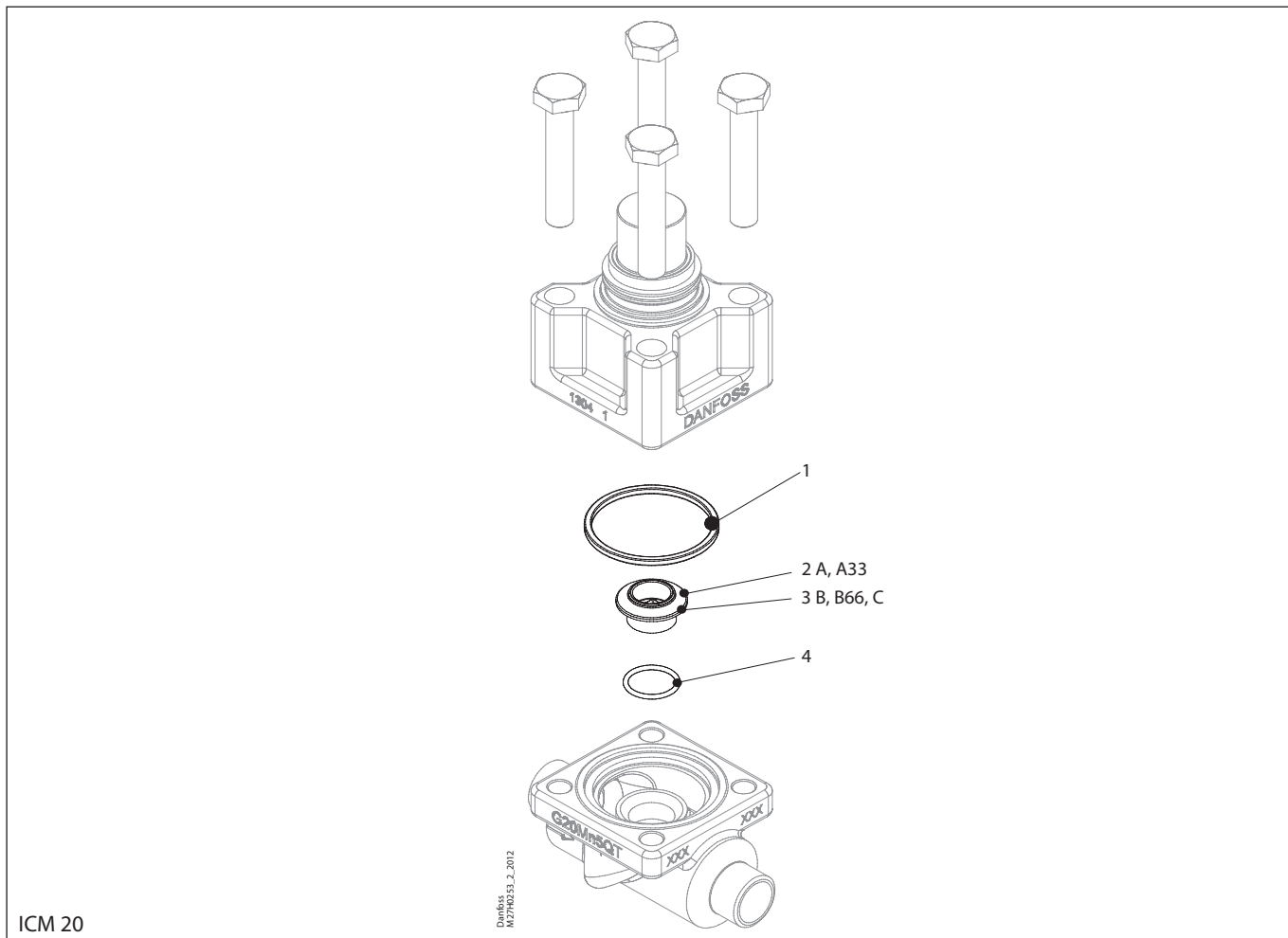


Repair kit | Code number 027H7197  
ICS, size 150 / ICLX, size 150



<p><b>1</b></p> <p>Ø32.5 mm Ø1.28"</p> <p>Total no. = 3</p>	<p><b>2</b></p> <p>Ø9 mm Ø0.36"</p> <p>Total no. = 3</p>	<p><b>4</b></p> <p>Ø15 mm Ø0.7"</p> <p>Total no. = 1</p>	<p><b>5</b></p> <p>Ø220 mm Ø8.66"</p> <p>Total no. = 1</p>	<p><b>6</b></p> <p>Ø196 mm Ø7.72"</p> <p>Total no. = 2</p>	<p><b>7</b></p> <p>Ø142 mm Ø5.59"</p> <p>Total no. = 1</p>
<p><b>8</b></p> <p>Ø220 mm Ø8.66"</p> <p>Total no. = 1</p>	<p><b>9</b></p> <p>Ø22 mm Ø0.87"</p> <p>Total no. = 1</p>	<p><b>10</b></p> <p>Ø54 mm Ø2.13"</p> <p>Total no. = 1</p>	<p><b>11</b></p> <p>Ø165 mm Ø6.5"</p> <p>Total no. = 1</p>	<p><b>12</b></p> <p>Ø209 mm Ø8.23"</p> <p>Total no. = 1</p>	<p><b>13</b></p> <p>Ø186 mm Ø7.32"</p> <p>Total no. = 1</p>
<p><b>14</b></p> <p>Ø146 mm Ø5.75"</p> <p>Total no. = 1</p>	<p><b>15</b></p> <p>Ø145 mm Ø5.71"</p> <p>Total no. = 1</p>	<p><b>16</b></p> <p>Ø144 mm Ø5.67"</p> <p>Total no. = 1</p>	<p><b>17</b></p> <p>Ø140 mm Ø5.51"</p> <p>Total no. = 1</p>		

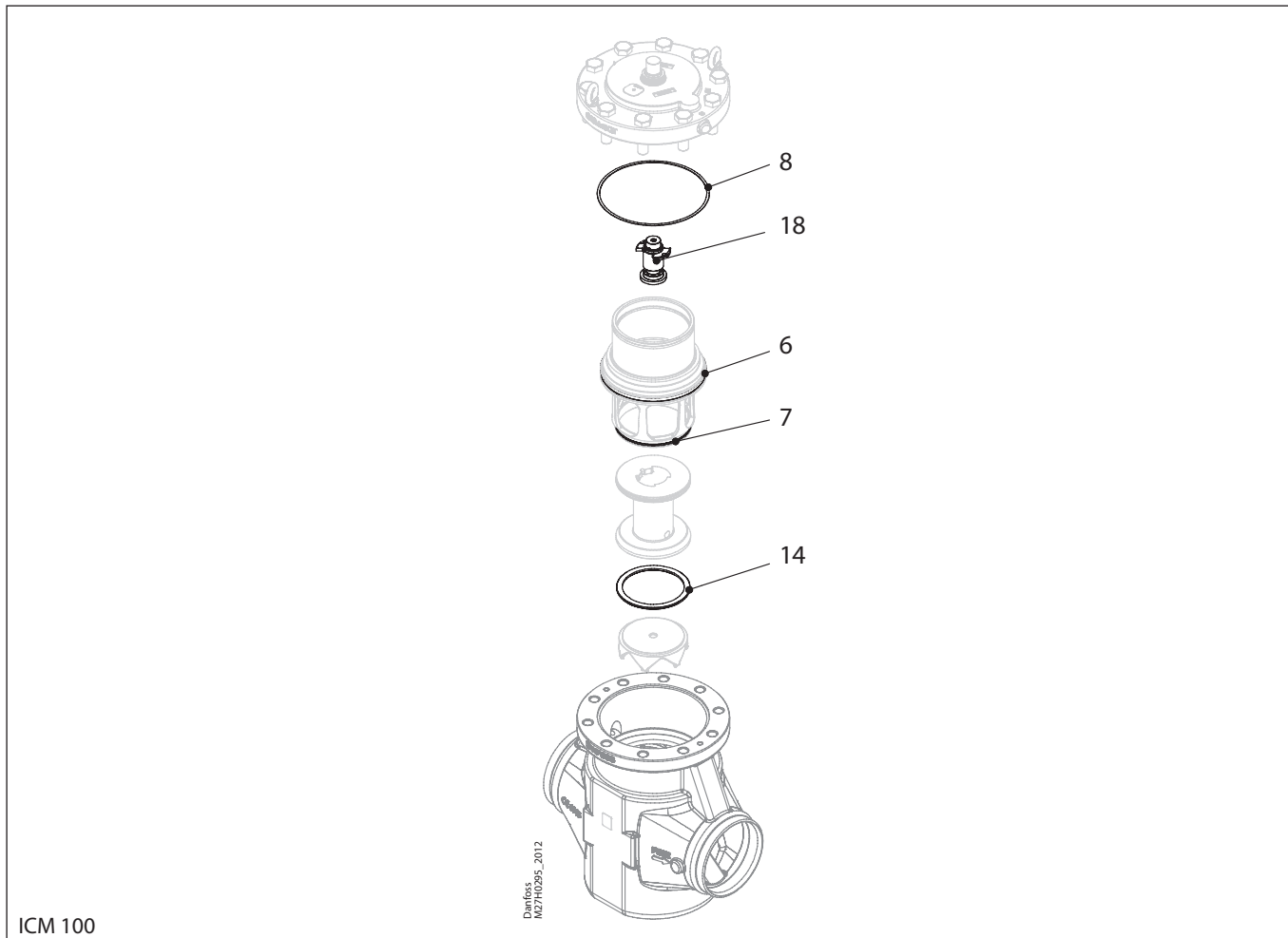
Repair kit | Code number 027H1190  
 ICM, size 20 (20A / 20A-33 / 20B / 20B-66 / 20C)



ICM 20

<p><b>1</b></p> <p> = Rubber</p> <p>Total no. = 1</p>	<p><b>2</b></p> <p>Total no. = 1</p>	<p><b>3</b></p> <p>Total no. = 1</p>	<p><b>4</b></p> <p>Total no. = 1</p>	
---	--------------------------------------	--------------------------------------	--------------------------------------	--

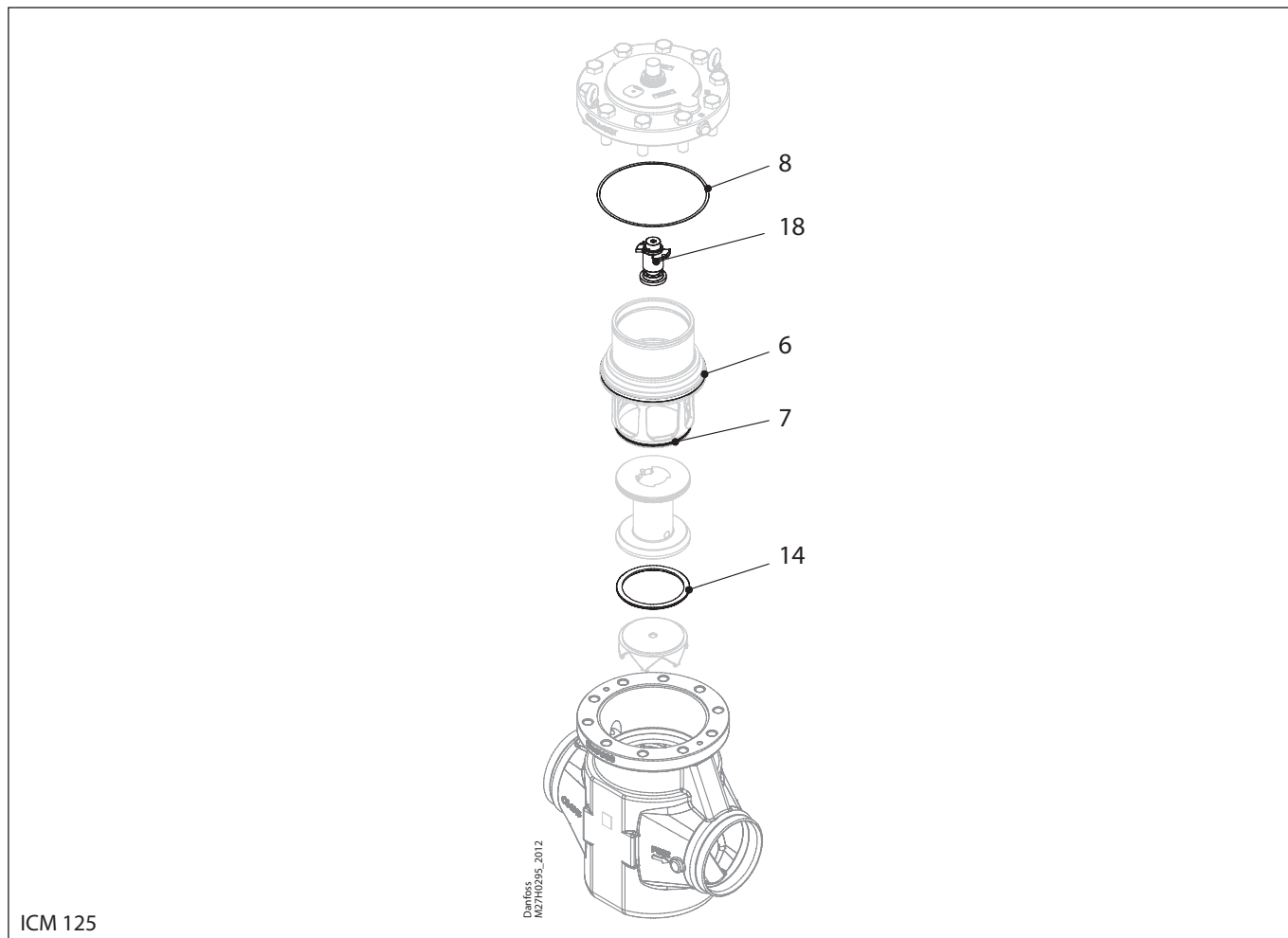
Repair kit | Code number 027H7135  
ICM, size 100



ICM 100

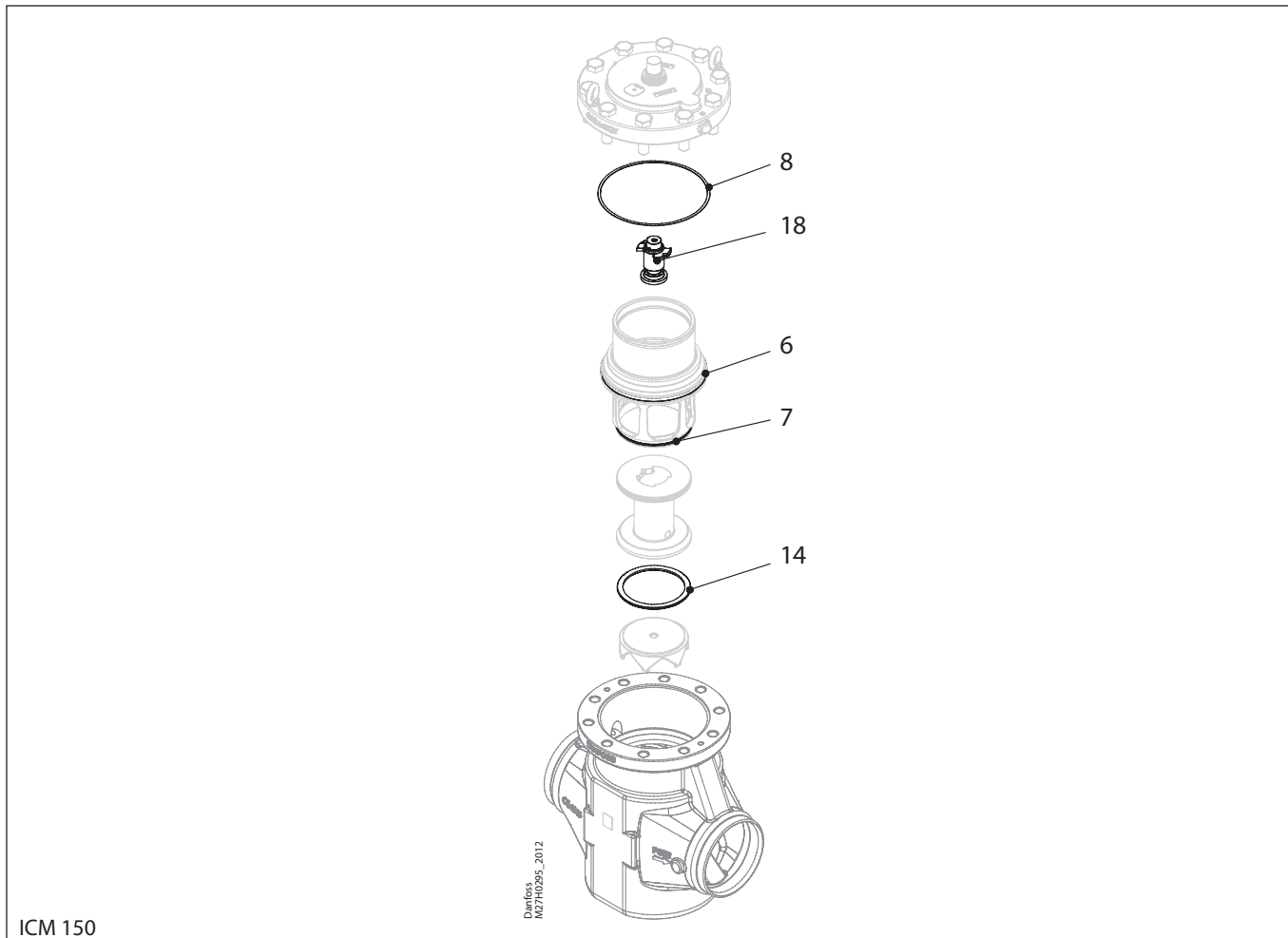
<p><b>6</b></p> <p>Total no. = 1</p>	<p><b>7</b></p> <p>Total no. = 1</p>	<p><b>8</b></p> <p>Total no. = 1</p>	<p><b>14</b></p> <p>Total no. = 1</p>	<p><b>18</b></p> <p>Total no. = 1</p>
--------------------------------------	--------------------------------------	--------------------------------------	---------------------------------------	---------------------------------------

Repair kit | Code number 027H7155  
ICM, size 125



<p><b>6</b></p> <p>Ø158 mm Ø6.22"</p> <p>Total no. = 1</p>	<p><b>7</b></p> <p>Ø114 mm Ø4.49"</p> <p>Total no. = 1</p>	<p><b>8</b></p> <p>Ø178 mm Ø7.01"</p> <p>Total no. = 1</p>	<p><b>14</b></p> <p>Ø107 mm Ø4.21"</p> <p>Total no. = 1</p>	<p><b>18</b></p> <p>Total no. = 1</p>
--	--	--	---	---------------------------------------

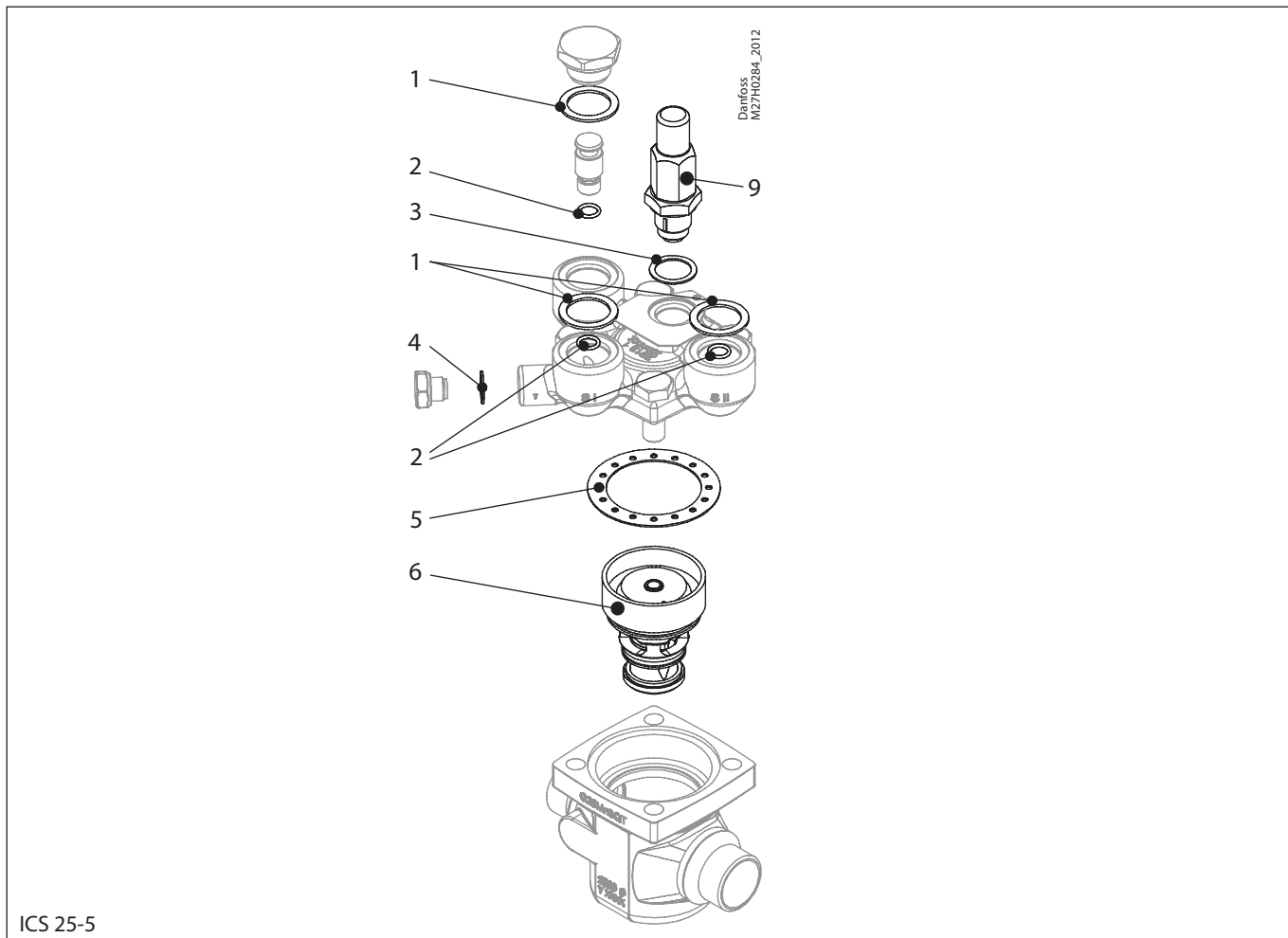
Repair kit | Code number 027H7175  
 ICM, size 150



ICM 150

<p><b>6</b></p> <p>Total no. = 1</p>	<p><b>7</b></p> <p>Total no. = 1</p>	<p><b>8</b></p> <p>Total no. = 1</p>	<p><b>14</b></p> <p>Total no. = 1</p>	<p><b>18</b></p> <p>Total no. = 1</p>
--------------------------------------	--------------------------------------	--------------------------------------	---------------------------------------	---------------------------------------

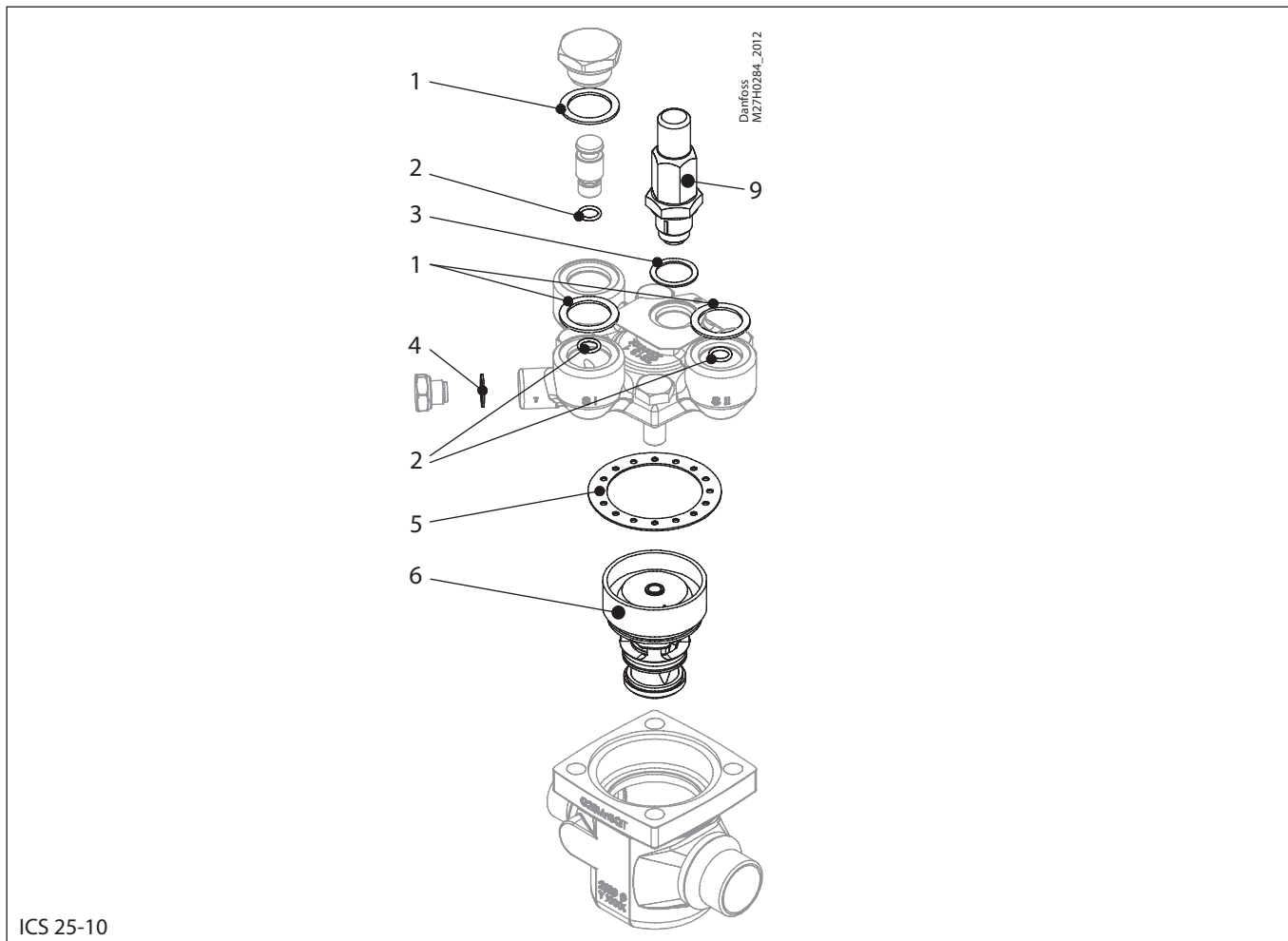
Overhaul kit | Code number 027H2225  
ICS, size 25-5



ICS 25-5

<p><b>1</b></p> <p> = Fibre</p> <p><math>\varnothing 32.5 \text{ mm}</math> <math>\varnothing 1.28''</math></p> <p>Total no. = 3</p>	<p><b>2</b></p> <p></p> <p><math>\varnothing 9 \text{ mm}</math> <math>\varnothing 0.36''</math></p> <p>Total no. = 3</p>	<p><b>3</b></p> <p> = Alu.</p> <p><math>\varnothing 26 \text{ mm}</math> <math>\varnothing 1.02''</math></p> <p>Total no. = 1</p>	<p><b>4</b></p> <p> = Alu.</p> <p><math>\varnothing 18 \text{ mm}</math> <math>\varnothing 0.7''</math></p> <p>Total no. = 1</p>	<p><b>5</b></p> <p> = Fibre</p> <p><math>\varnothing 73 \text{ mm}</math> <math>\varnothing 2.87''</math></p> <p>Total no. = 1</p>
<p><b>6</b></p> <p><math>\varnothing 57 \text{ mm}</math> <math>\varnothing 2.24''</math></p> <p>Total no. = 1</p>		<p><b>9</b></p> <p>Total no. = 1</p>		

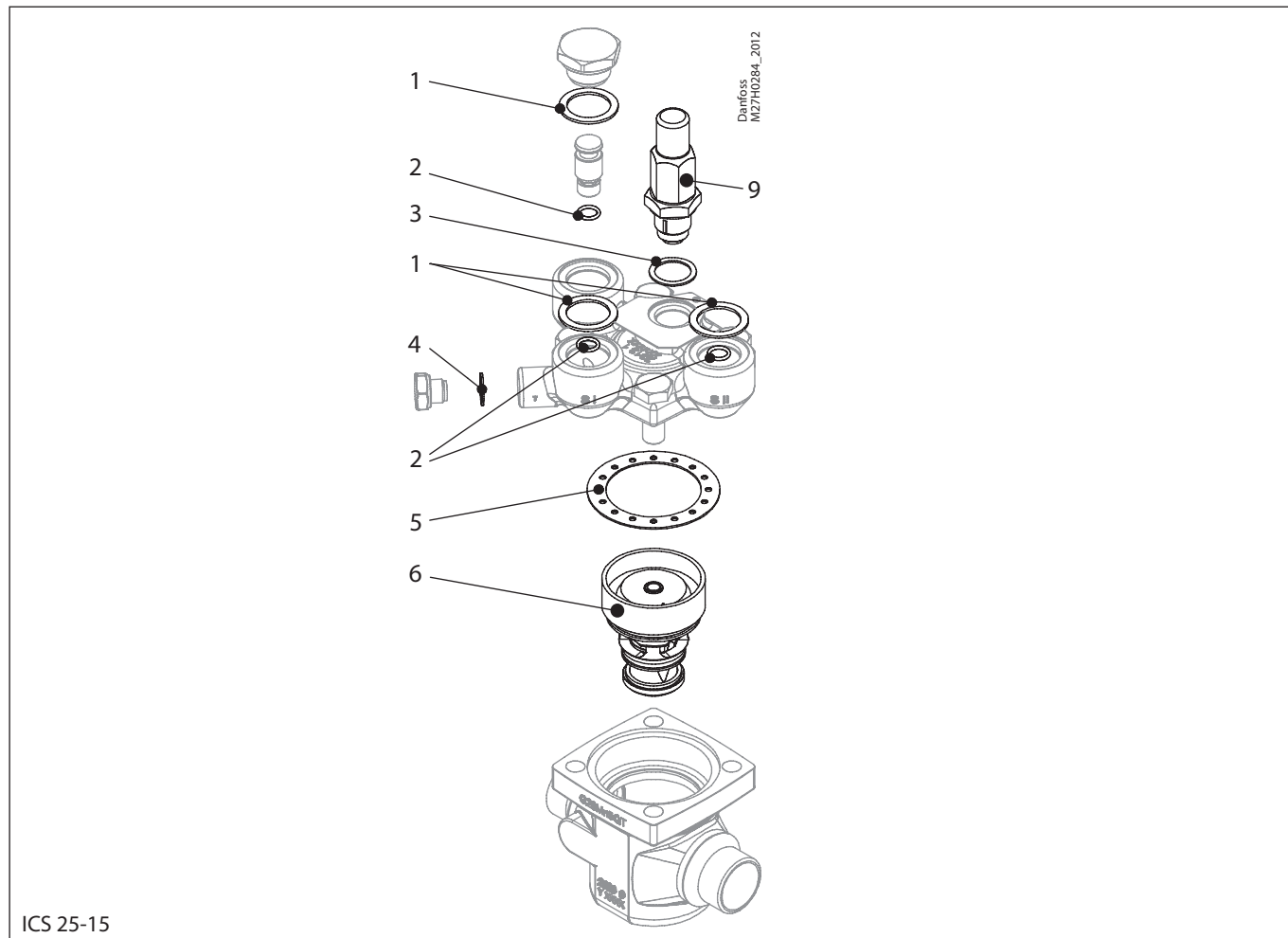
Overhaul kit | Code number 027H2138  
ICS, size 25-10



ICS 25-10

<p><b>1</b></p> <p> = Fibre</p> <p>Total no. = 3</p>	<p><b>2</b></p> <p> = Fibre</p> <p>Total no. = 3</p>	<p><b>3</b></p> <p> = Alu.</p> <p>Total no. = 1</p>	<p><b>4</b></p> <p> = Alu.</p> <p>Total no. = 1</p>	<p><b>5</b></p> <p> = Fibre</p> <p>Total no. = 1</p>
<p><b>6</b></p> <p>Total no. = 1</p>		<p><b>9</b></p> <p>Total no. = 1</p>		

Overhaul kit | Code number 027H3019  
ICS, size 25-15

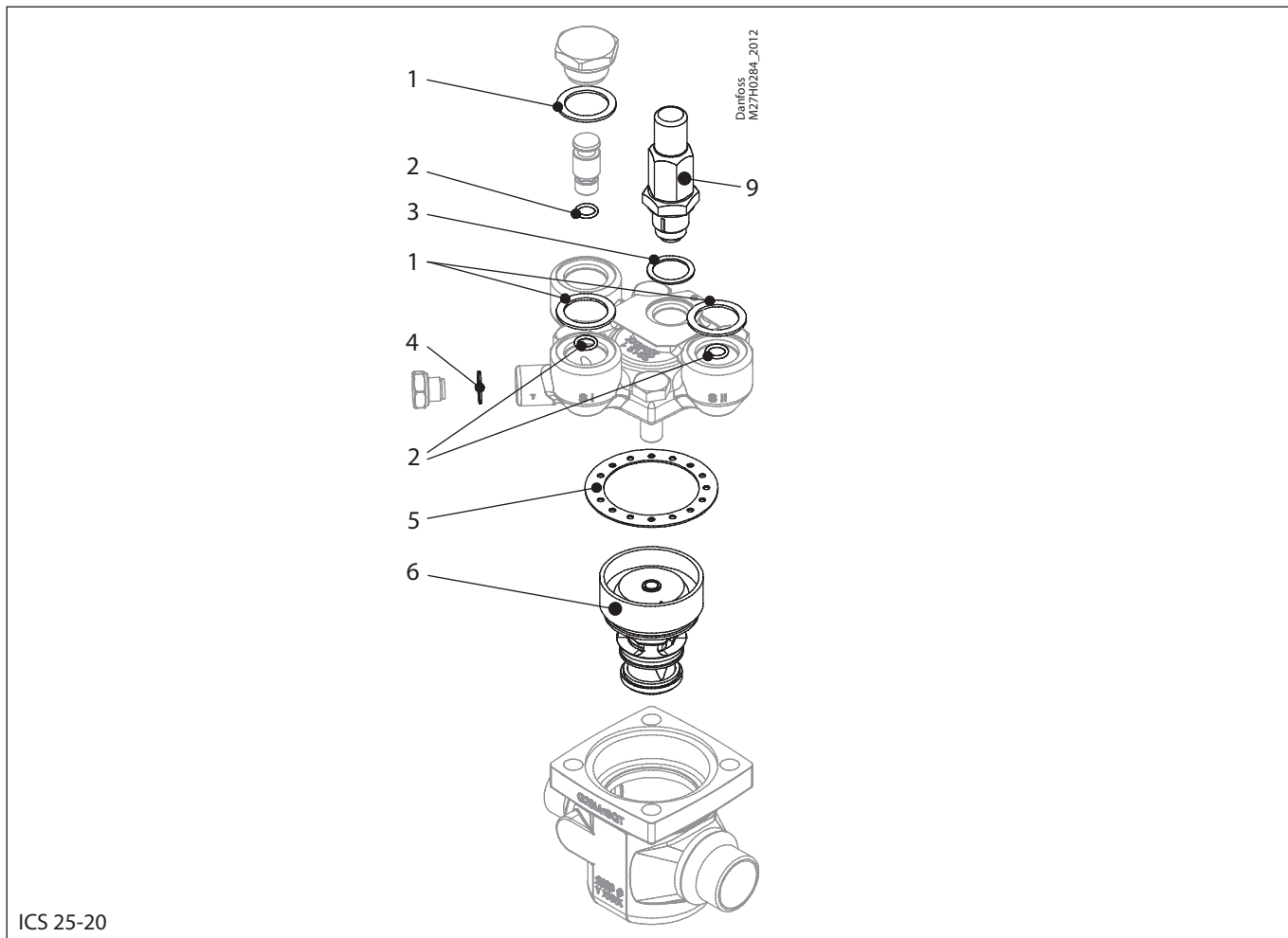


ICS 25-15

<p><b>1</b></p> <p> = Fibre</p> <p>Total no. = 3</p>	<p><b>2</b></p> <p>Total no. = 3</p>	<p><b>3</b></p> <p> = Alu.</p> <p>Total no. = 1</p>	<p><b>4</b></p> <p> = Alu.</p> <p>Total no. = 1</p>	<p><b>5</b></p> <p> = Fibre</p> <p>Total no. = 1</p>
<p><b>6</b></p> <p>Total no. = 1</p>		<p><b>9</b></p> <p>Total no. = 1</p>		



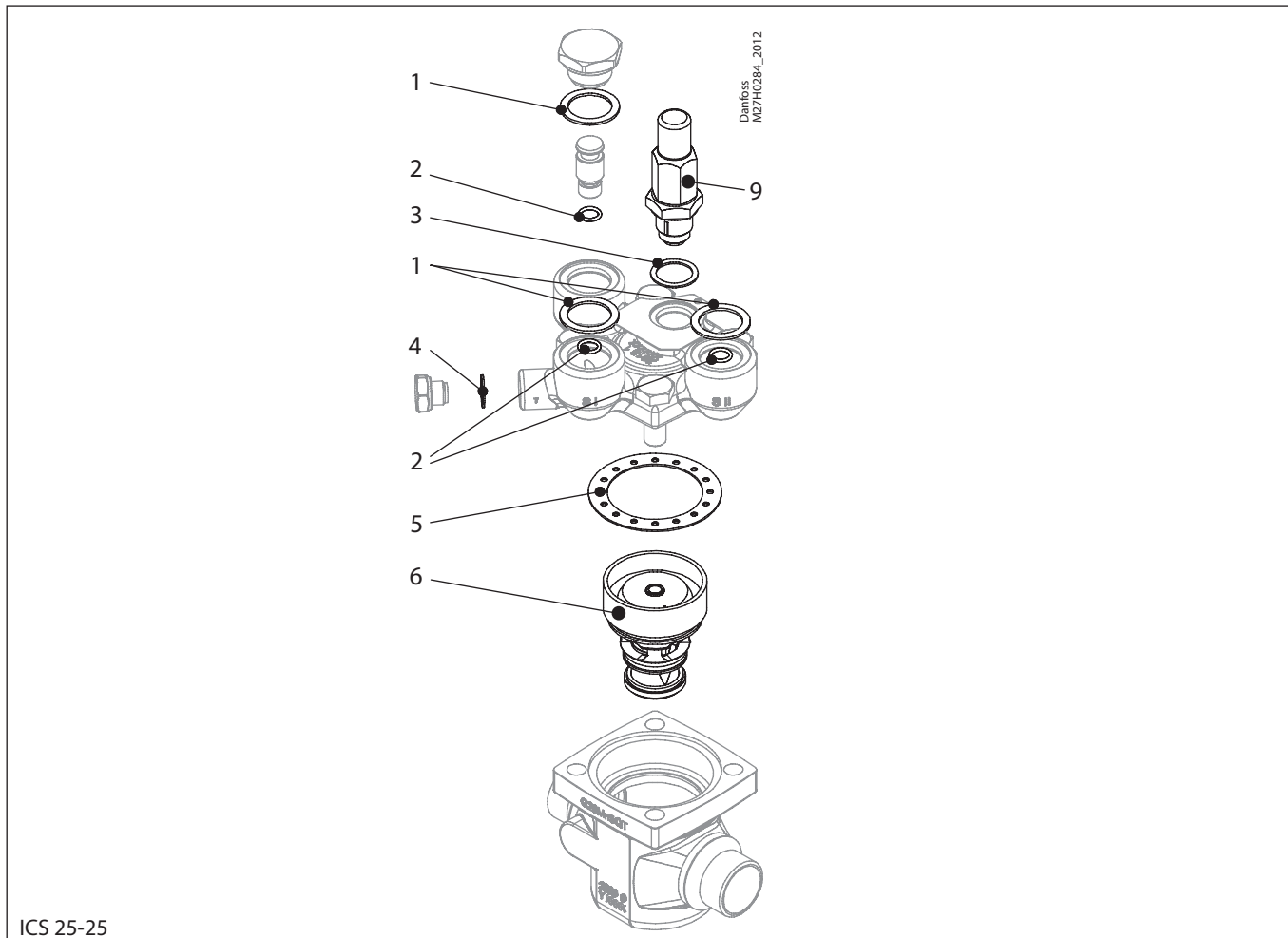
Overhaul kit | Code number 027H3043  
ICS, size 25-20



ICS 25-20

<p><b>1</b></p> <p> = Fibre</p> <p>Total no. = 3</p>	<p><b>2</b></p> <p>Total no. = 3</p>	<p><b>3</b></p> <p> = Alu.</p> <p>Total no. = 1</p>	<p><b>4</b></p> <p> = Alu.</p> <p>Total no. = 1</p>	<p><b>5</b></p> <p> = Fibre</p> <p>Total no. = 1</p>
<p><b>6</b></p> <p>Total no. = 1</p>		<p><b>9</b></p> <p>Total no. = 1</p>		

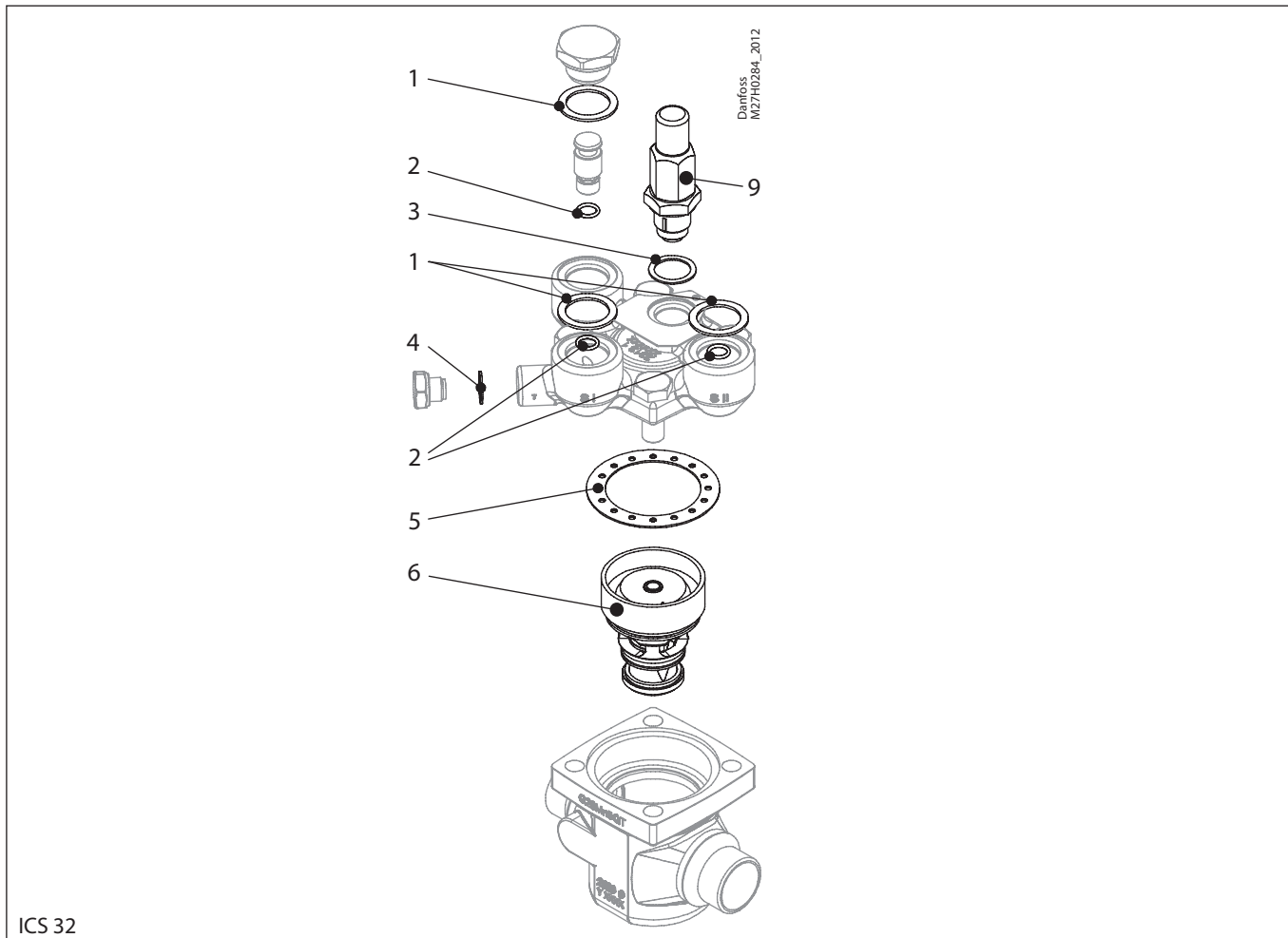
Overhaul kit | Code number 027H3044  
ICS, size 25-25



ICS 25-25

<p><b>1</b></p> <p> = Fibre</p> <p>Ø32.5 mm Ø1.28"</p> <p>Total no. = 3</p>	<p><b>2</b></p> <p></p> <p>Ø9 mm Ø0.36"</p> <p>Total no. = 3</p>	<p><b>3</b></p> <p> = Alu.</p> <p>Ø26 mm Ø1.02"</p> <p>Total no. = 1</p>	<p><b>4</b></p> <p> = Alu.</p> <p>Ø18 mm Ø0.7"</p> <p>Total no. = 1</p>	<p><b>5</b></p> <p> = Fibre</p> <p>Ø73 mm Ø2.87"</p> <p>Total no. = 1</p>
<p><b>6</b></p> <p>Ø57 mm Ø2.24"</p> <p>13 mm 0.51"</p> <p>Total no. = 1</p>		<p><b>9</b></p> <p>Total no. = 1</p>		

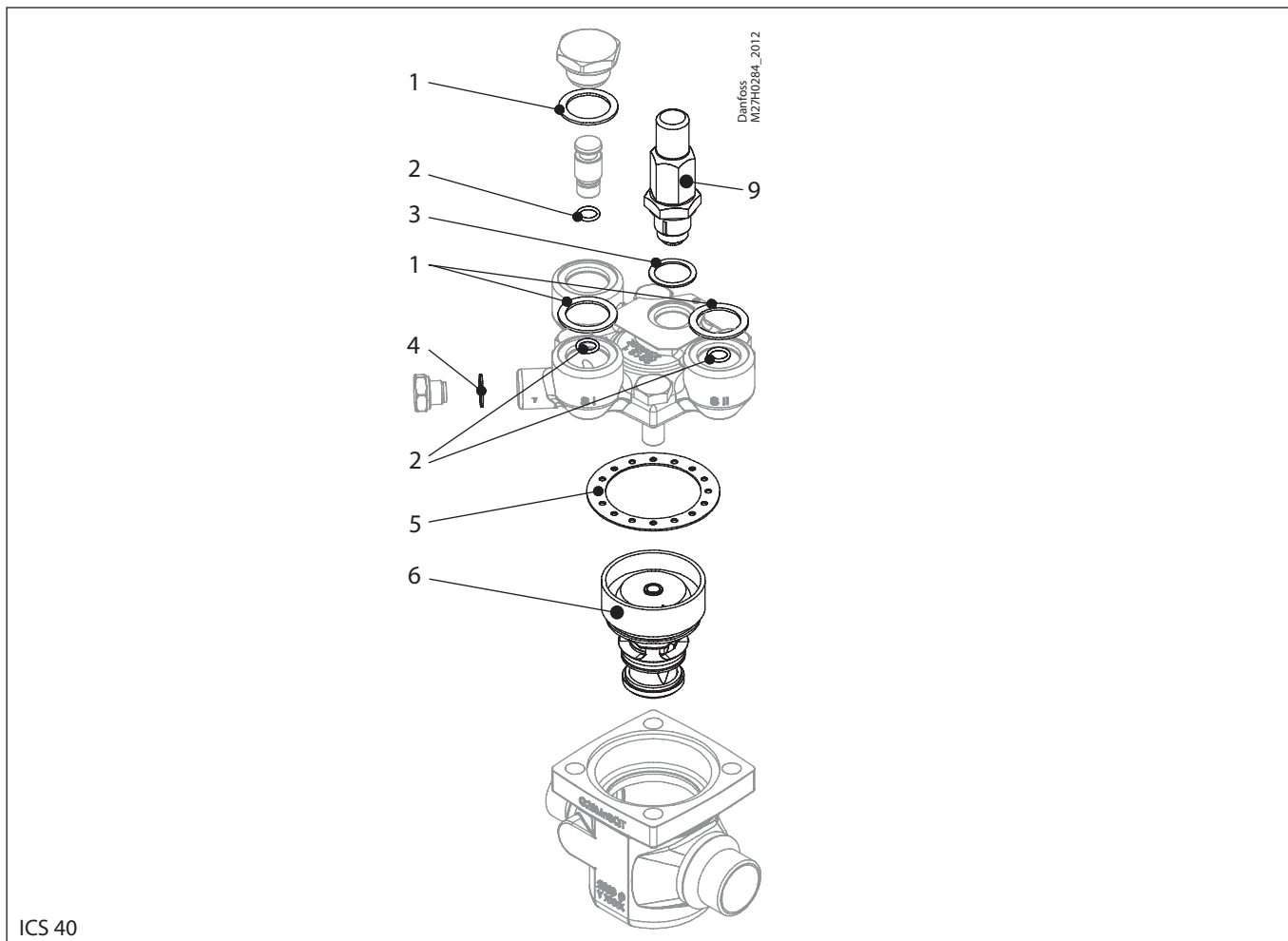
Overhaul kit | Code number 027H3018  
ICS, size 32



ICS 32

<p><b>1</b></p> <p> = Fibre</p> <p>Total no. = 3</p>	<p><b>2</b></p> <p></p> <p>Total no. = 3</p>	<p><b>3</b></p> <p> = Alu.</p> <p>Total no. = 1</p>	<p><b>4</b></p> <p> = Alu.</p> <p>Total no. = 1</p>	<p><b>5</b></p> <p> = Fibre</p> <p>Total no. = 1</p>
<p><b>6</b></p> <p>Total no. = 1</p>	<p><b>9</b></p> <p>Total no. = 1</p>			

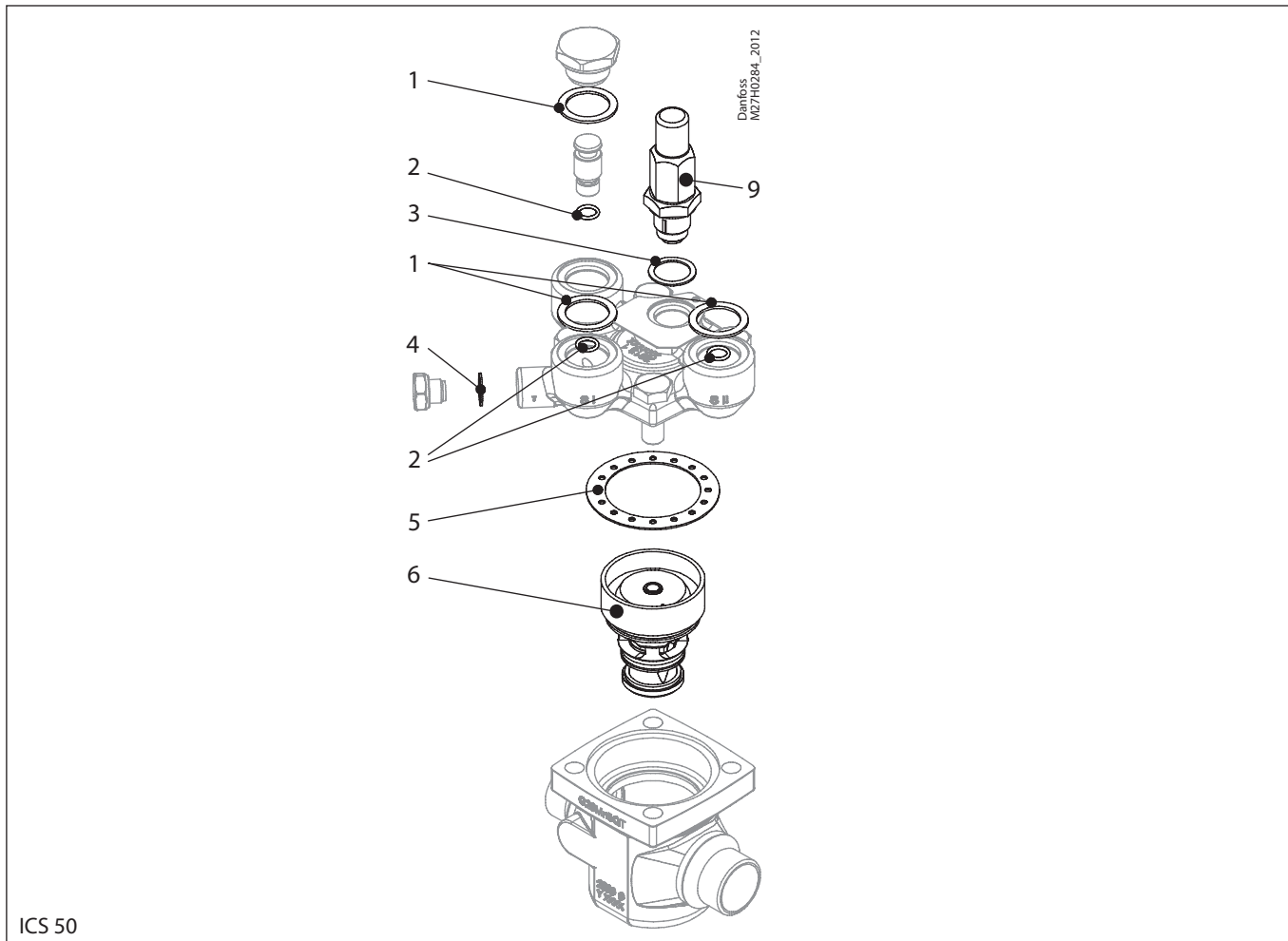
Overhaul kit | Code number 027H4016  
ICS, size 40



ICS 40

<p><b>1</b></p> <p> = Fibre</p> <p>Total no. = 3</p>	<p><b>2</b></p> <p>Total no. = 3</p>	<p><b>3</b></p> <p> = Alu.</p> <p>Total no. = 1</p>	<p><b>4</b></p> <p> = Alu.</p> <p>Total no. = 1</p>	<p><b>5</b></p> <p> = Fibre</p> <p>Total no. = 1</p>
<p><b>6</b></p> <p>Total no. = 1</p>	<p><b>9</b></p> <p>Total no. = 1</p>			

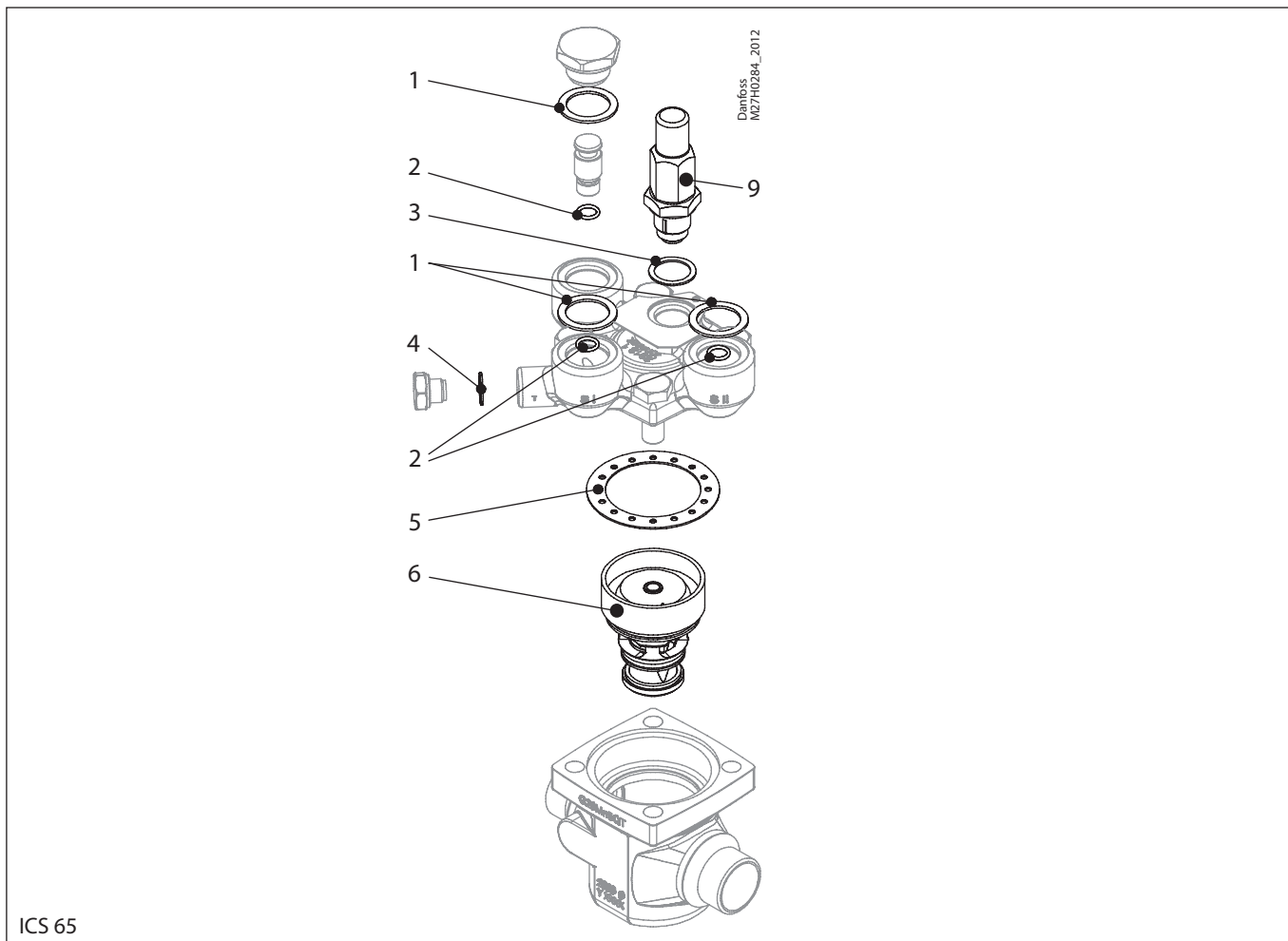
Overhaul kit | Code number 027H5016  
ICS, size 50



ICS 50

<p><b>1</b></p> <p> = Fibre</p> <p>Total no. = 3</p>	<p><b>2</b></p> <p></p> <p>Total no. = 3</p>	<p><b>3</b></p> <p> = Alu.</p> <p>Total no. = 1</p>	<p><b>4</b></p> <p> = Alu.</p> <p>Total no. = 1</p>	<p><b>5</b></p> <p> = Fibre</p> <p>Total no. = 1</p>
<p><b>6</b></p> <p>Total no. = 1</p>	<p><b>9</b></p> <p>Total no. = 1</p>			

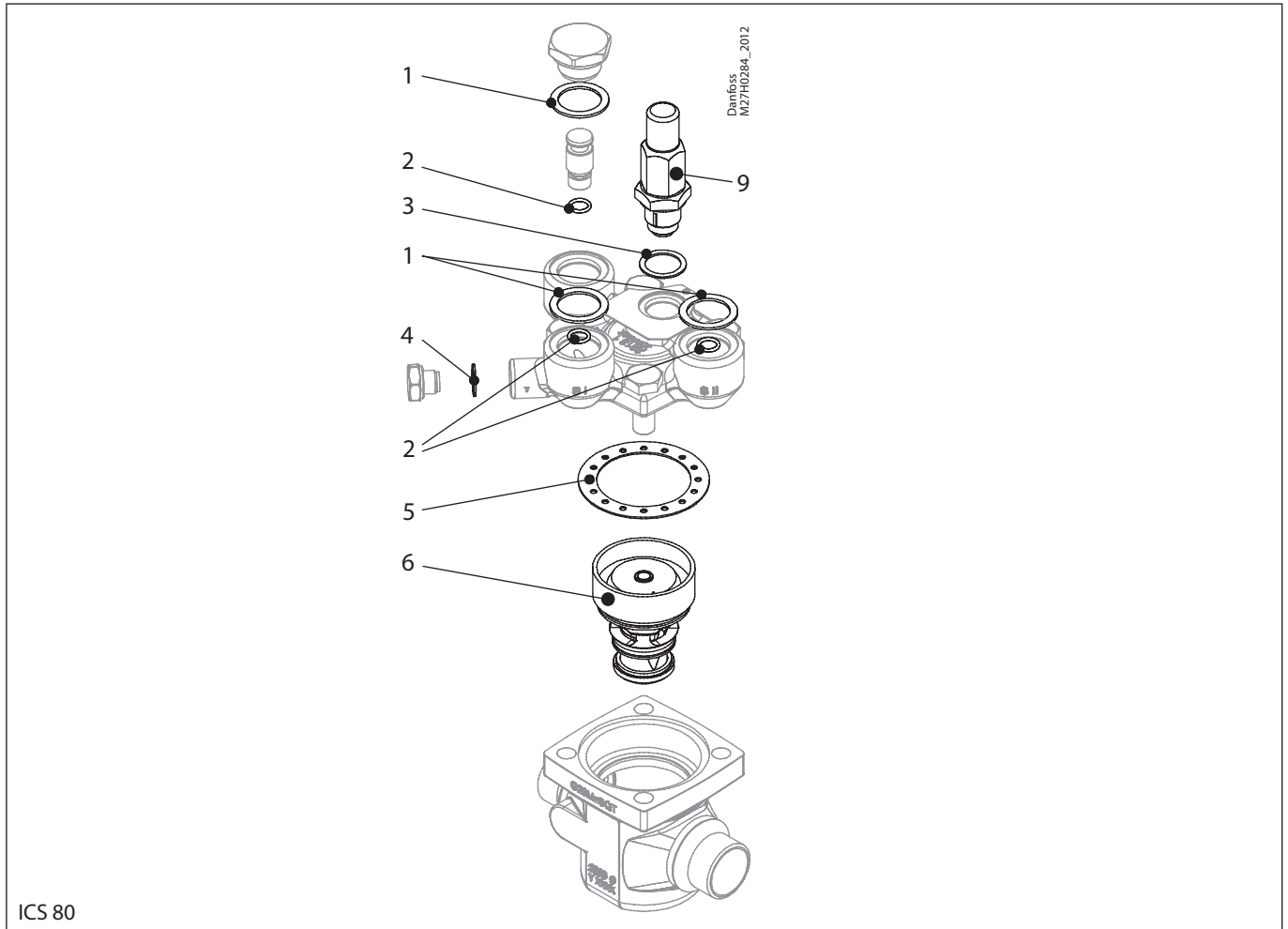
Overhaul kit | Code number 027H6018  
ICS, size 65



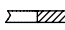
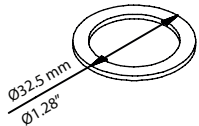

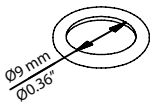
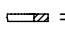
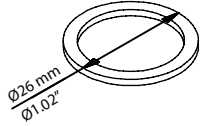
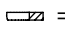
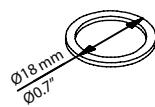
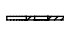
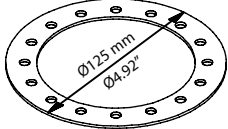
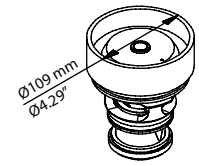
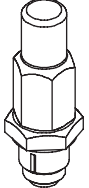
ICS 65

<p><b>1</b></p> <p> = Fibre</p> <p>Total no. = 3</p>	<p><b>2</b></p> <p>Total no. = 3</p>	<p><b>3</b></p> <p> = Alu.</p> <p>Total no. = 1</p>	<p><b>4</b></p> <p> = Alu.</p> <p>Total no. = 1</p>	<p><b>5</b></p> <p> = Fibre</p> <p>Total no. = 1</p>
<p><b>6</b></p> <p>Total no. = 1</p>	<p><b>9</b></p> <p>Total no. = 1</p>			

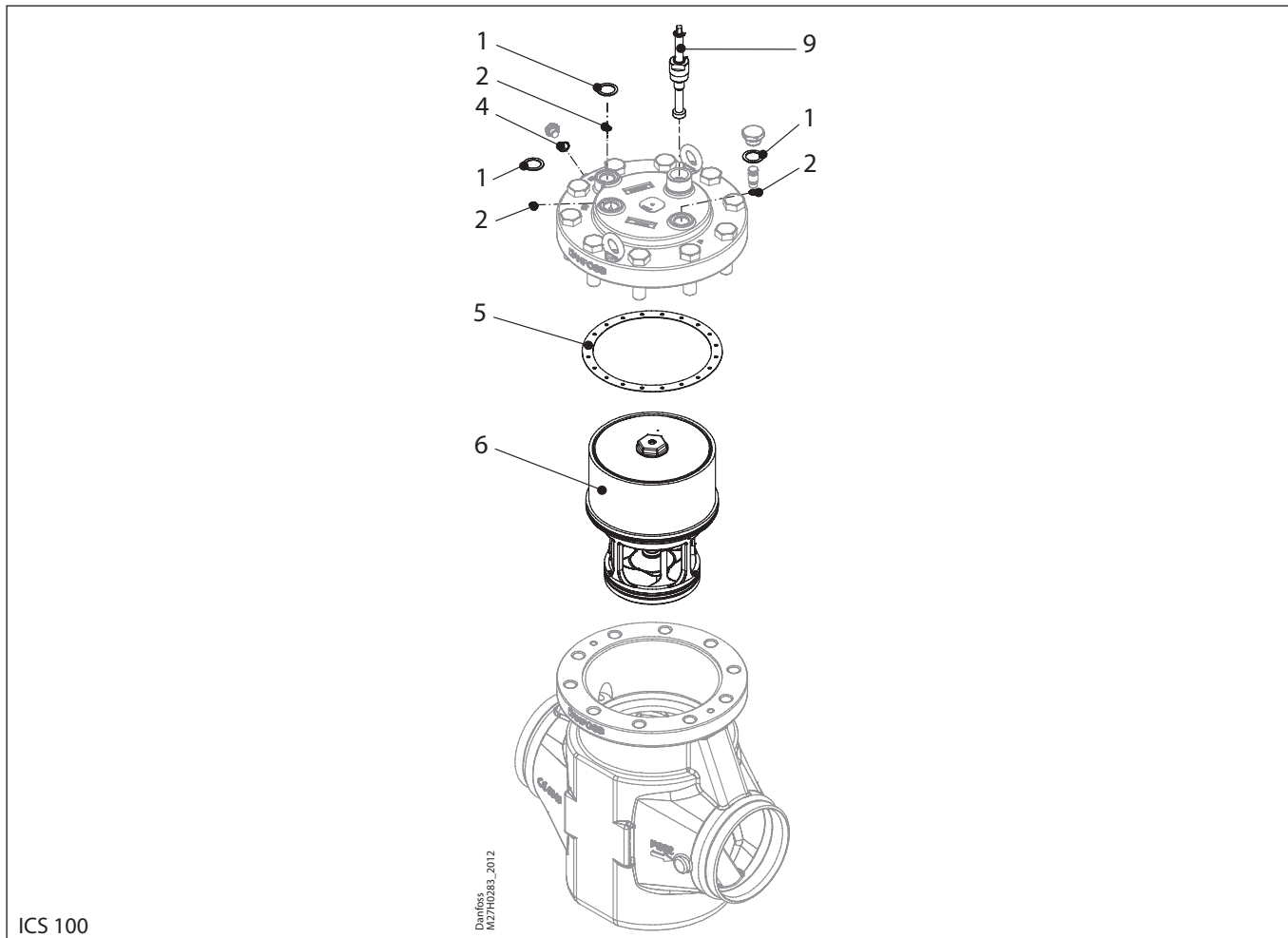
Overhaul kit | Code number 027H6028  
ICS, size 80



ICS 80

<p><b>1</b></p> <p> = Fibre</p>  <p>Total no. = 3</p>	<p><b>2</b></p> <p></p>  <p>Total no. = 3</p>	<p><b>3</b></p> <p> = Alu.</p>  <p>Total no. = 1</p>	<p><b>4</b></p> <p> = Alu.</p>  <p>Total no. = 1</p>	<p><b>5</b></p> <p> = Fibre</p>  <p>Total no. = 1</p>
<p><b>6</b></p>  <p>Total no. = 1</p>	<p><b>9</b></p>  <p>Total no. = 1</p>			

Overhaul kit | Code number 027H7193  
ICS, size 100



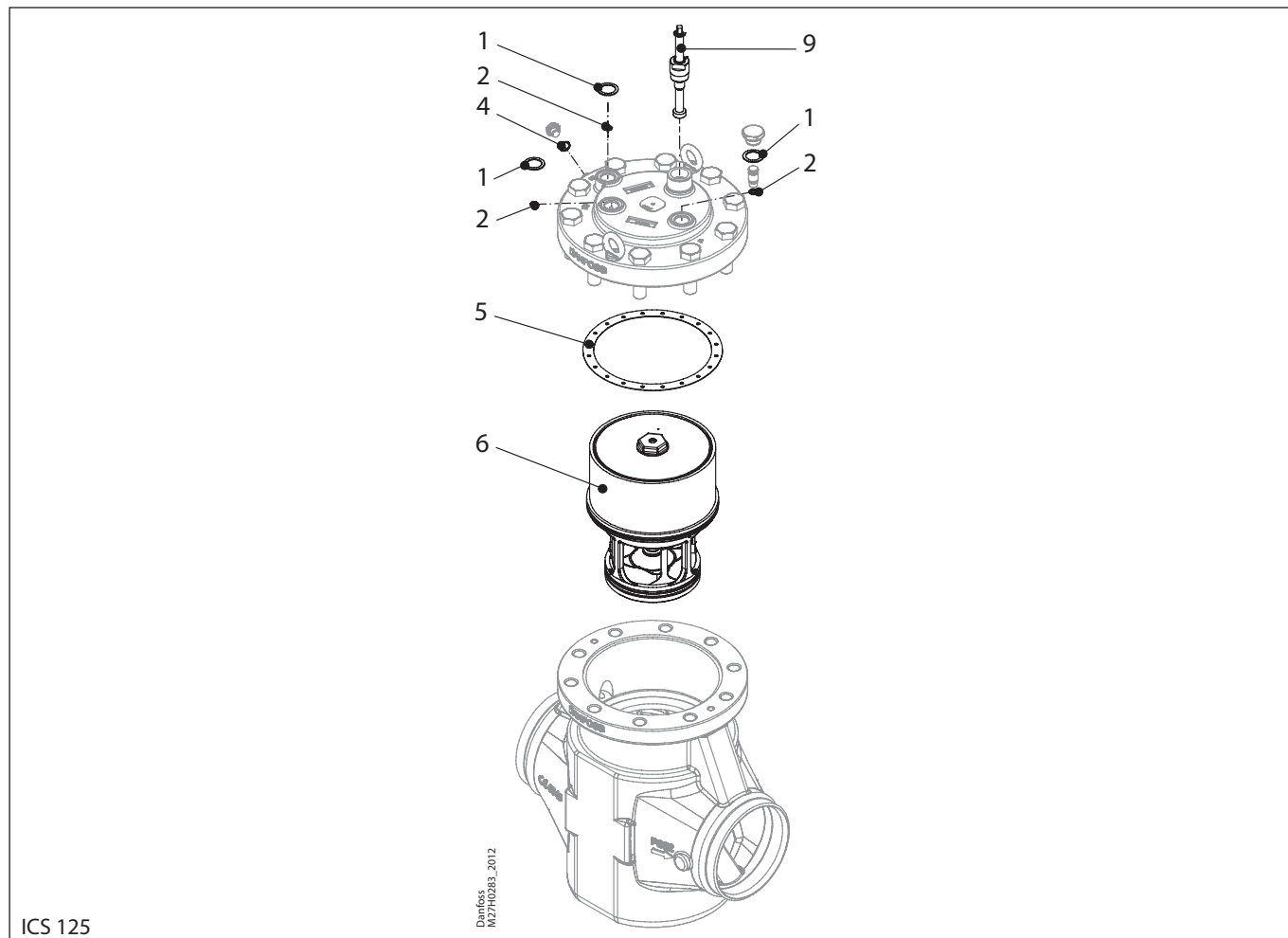
ICS 100

<p><b>1</b></p> <p> = Fibre</p> <p>Total no. = 3</p>	<p><b>2</b></p> <p>Total no. = 3</p>	<p><b>4</b></p> <p> = Alu.</p> <p>Total no. = 1</p>	<p><b>5</b></p> <p> = Fibre</p> <p>Total no. = 1</p>	<p><b>6</b></p> <p>Total no. = 1</p>
<p><b>9</b></p> <p>Total no. = 1</p>				

For a complete replacement of the ICS top cover including gasket; please see page 61.



Overhaul kit | Code number 027H7195  
ICS, size 125

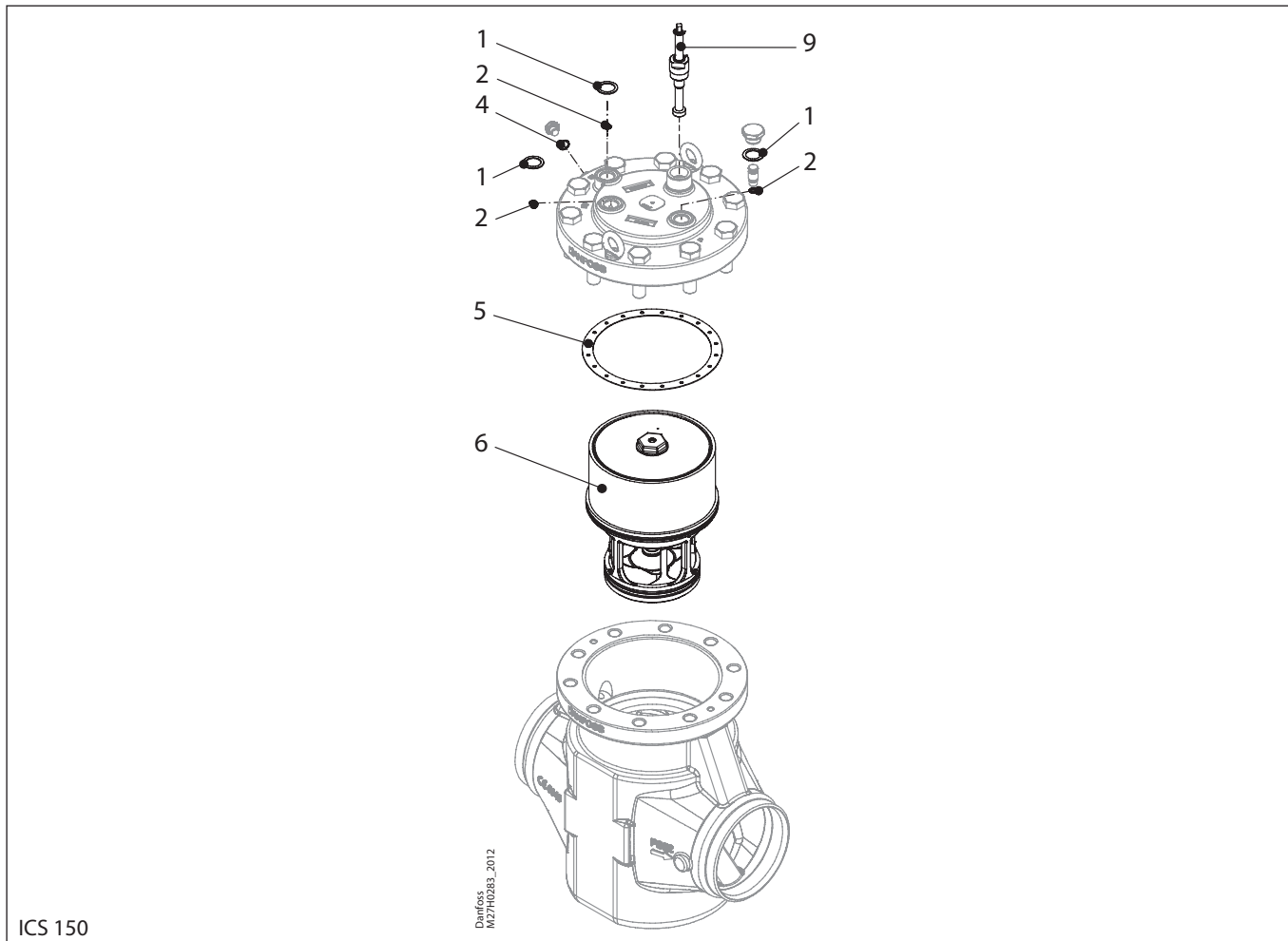


ICS 125

<p><b>1</b></p> <p> = Fibre</p> <p>Total no. = 3</p>	<p><b>2</b></p> <p>Total no. = 3</p>	<p><b>4</b></p> <p> = Alu.</p> <p>Total no. = 1</p>	<p><b>5</b></p> <p> = Fibre</p> <p>Total no. = 1</p>	<p><b>6</b></p> <p>Total no. = 1</p>
<p><b>9</b></p> <p>Total no. = 1</p>				

For a complete replacement of the ICS top cover including gasket; please see page 61.

Overhaul kit | Code number 027H7198  
ICS, size 150

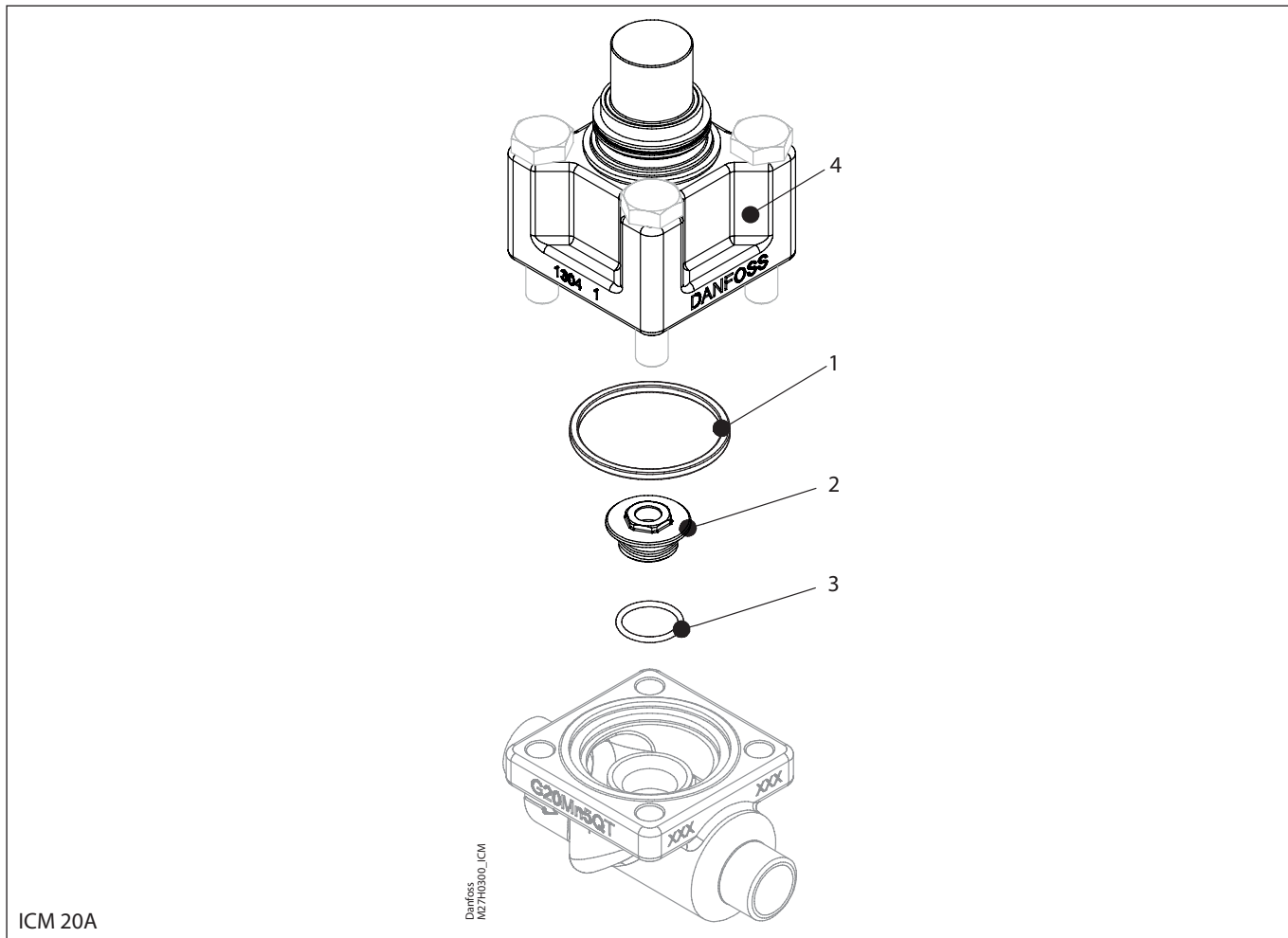


ICS 150

<p><b>1</b></p> <p> = Fibre</p> <p>Total no. = 3</p>	<p><b>2</b></p> <p>Total no. = 3</p>	<p><b>4</b></p> <p> = Alu.</p> <p>Total no. = 1</p>	<p><b>5</b></p> <p> = Fibre</p> <p>Total no. = 1</p>	<p><b>6</b></p> <p>Total no. = 1</p>
<p><b>9</b></p> <p>Total no. = 1</p>				

For a complete replacement of the ICS top cover including gasket; please see page 61.

Overhaul kit | Code number 027H1180  
ICM, size 20A

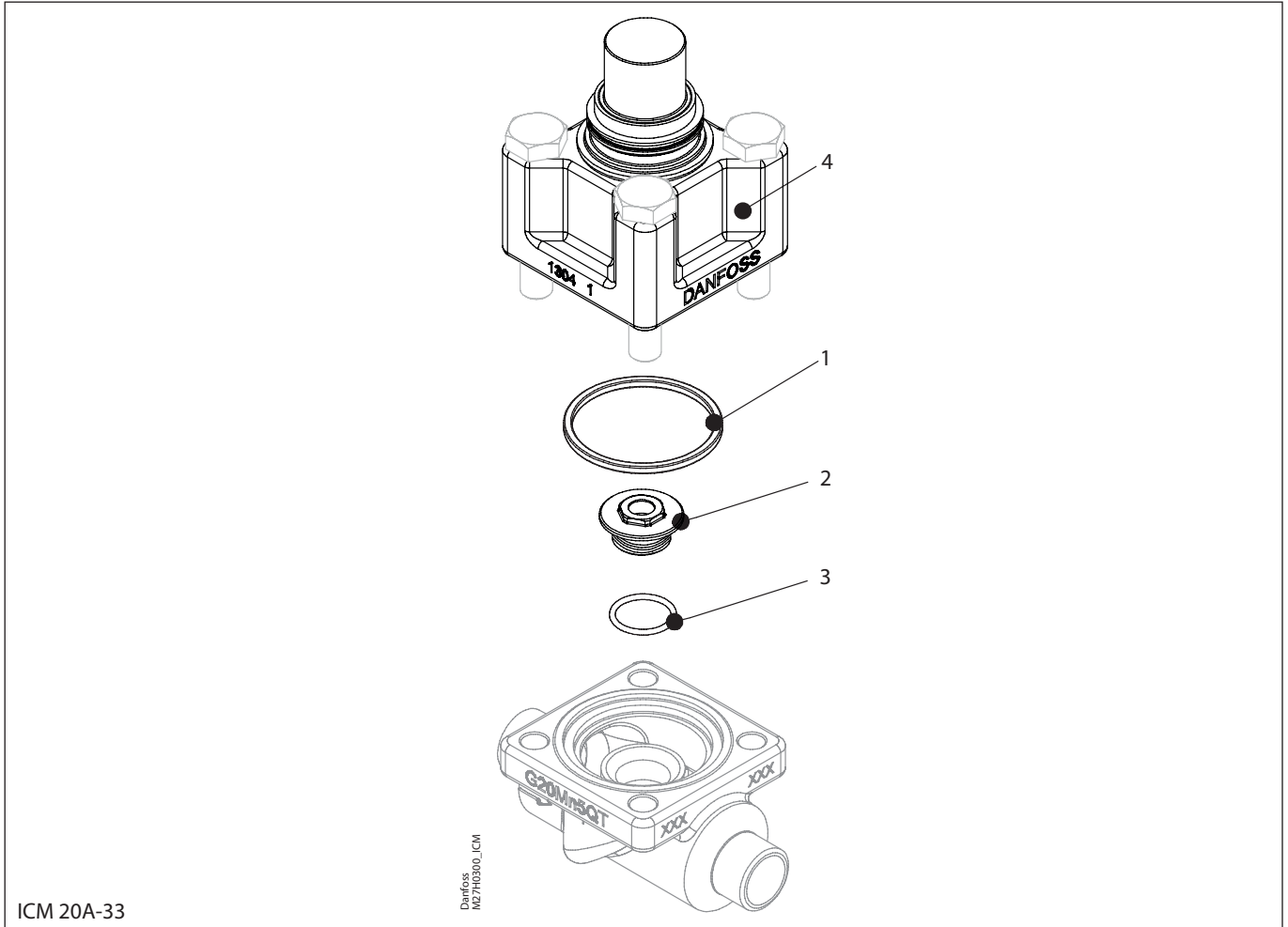


ICM 20A

Danfoss  
M27H6300\_ICM

<p><b>1</b></p> <p>Total no. = 1</p>	<p><b>2</b></p> <p>Total no. = 1</p>	<p><b>3</b></p> <p>Total no. = 1</p>	<p><b>4</b></p> <p>Total no. = 1</p>
--------------------------------------	--------------------------------------	--------------------------------------	--------------------------------------

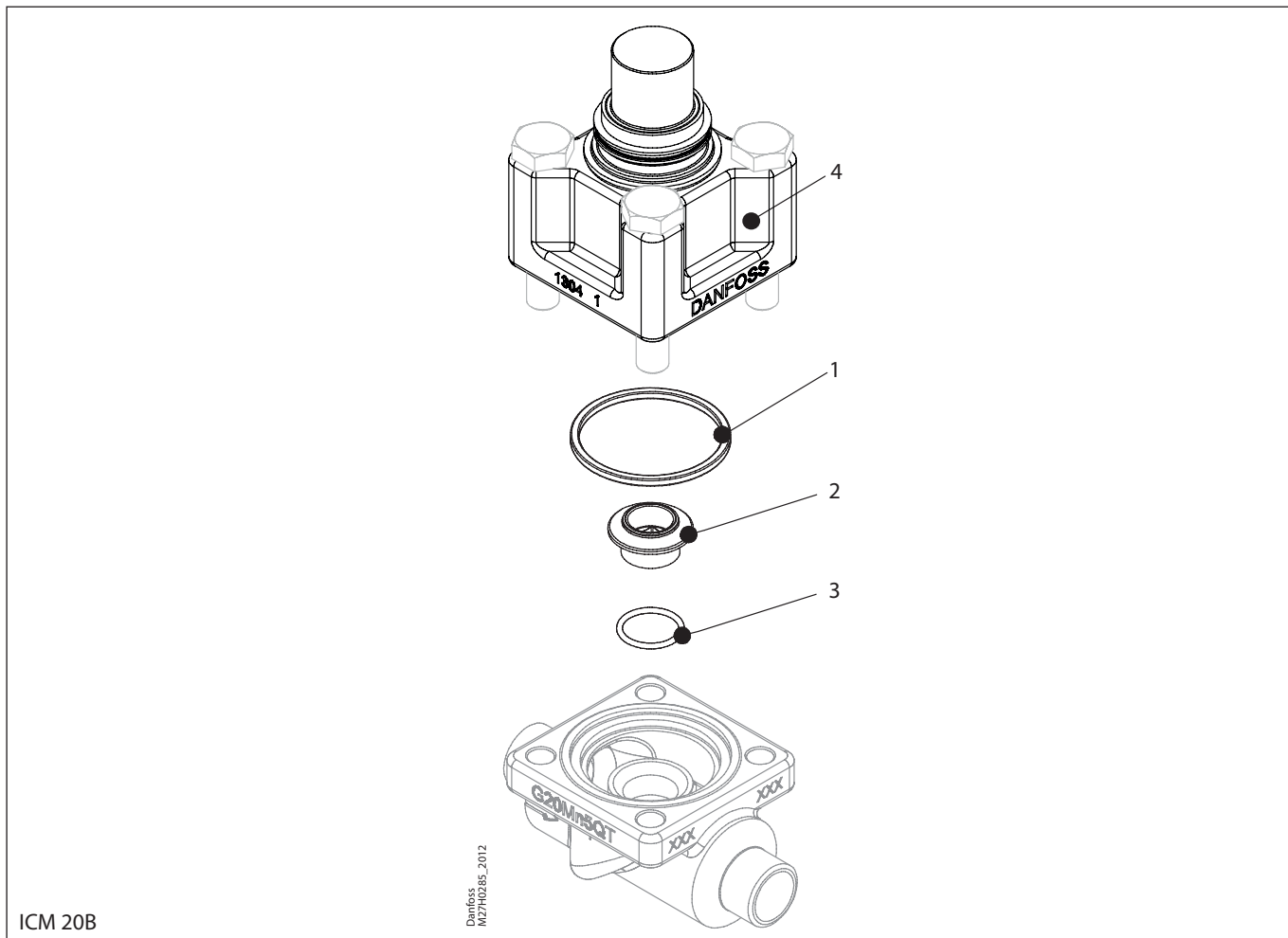
Overhaul kit | Code number 027H1186  
 ICM, size 20A-33



ICM 20A-33

<p><b>1</b></p> <p> = Rubber</p> <p>Total no. = 1</p>	<p><b>2</b></p> <p>Ø5.5 mm Ø0.217"</p> <p>Total no. = 1</p>	<p><b>3</b></p> <p>Ø17 mm Ø0.67</p> <p>Total no. = 1</p>	<p><b>4</b></p> <p>Ø5.5 mm 7 mm</p> <p>Ø0.22"   0.28"</p> <p>Cone type A-33: Total no. = 1</p>
---	---	--	--

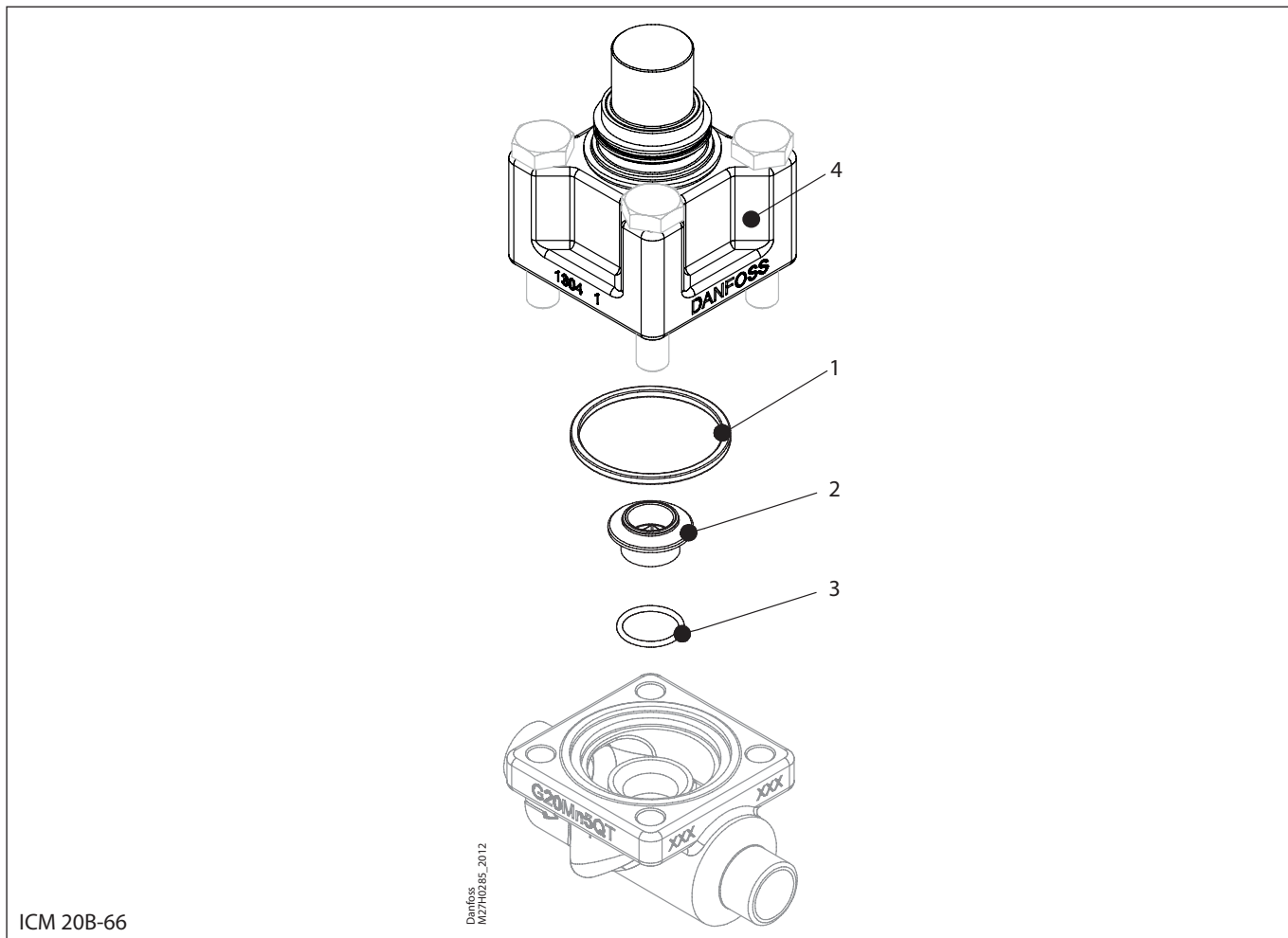
Overhaul kit | Code number 027H1181  
 ICM, size 20B



ICM 20B

<p><b>1</b></p> <p>Total no. = 1</p>	<p><b>2</b></p> <p>Total no. = 1</p>	<p><b>3</b></p> <p>Total no. = 1</p>	<p><b>4</b></p> <p>Total no. = 1</p>
--------------------------------------	--------------------------------------	--------------------------------------	--------------------------------------

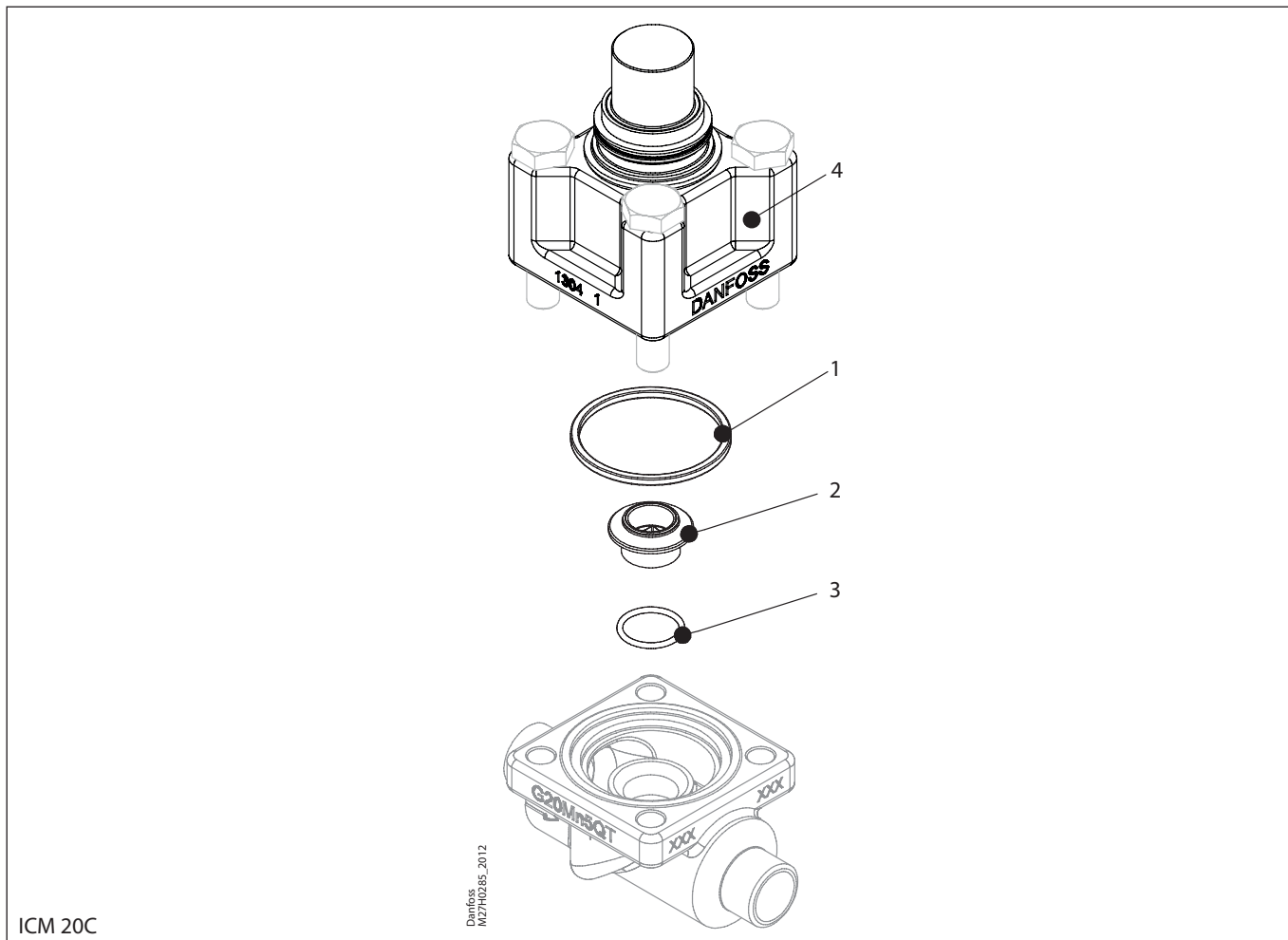
Overhaul kit | Code number 027H1194  
 ICM, size 20B-66



ICM 20B-66

<p><b>1</b></p> <p>Total no. = 1</p>	<p><b>2</b></p> <p>Total no. = 1</p>	<p><b>3</b></p> <p>Total no. = 1</p>	<p><b>4</b></p> <p>Total no. = 1</p>
--------------------------------------	--------------------------------------	--------------------------------------	--------------------------------------

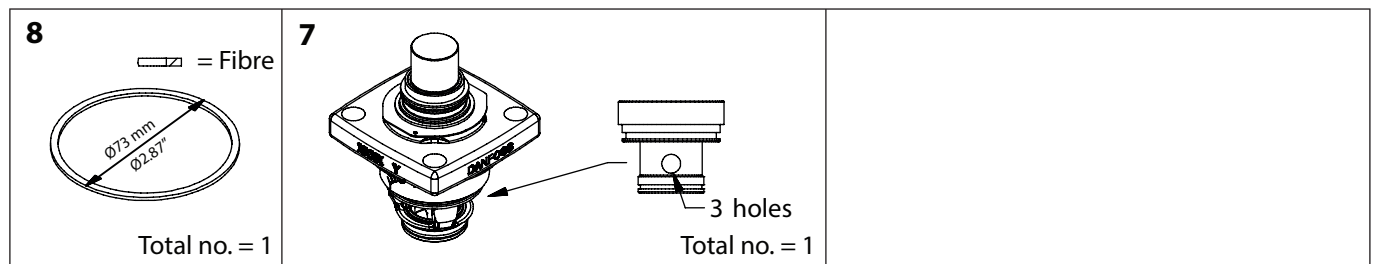
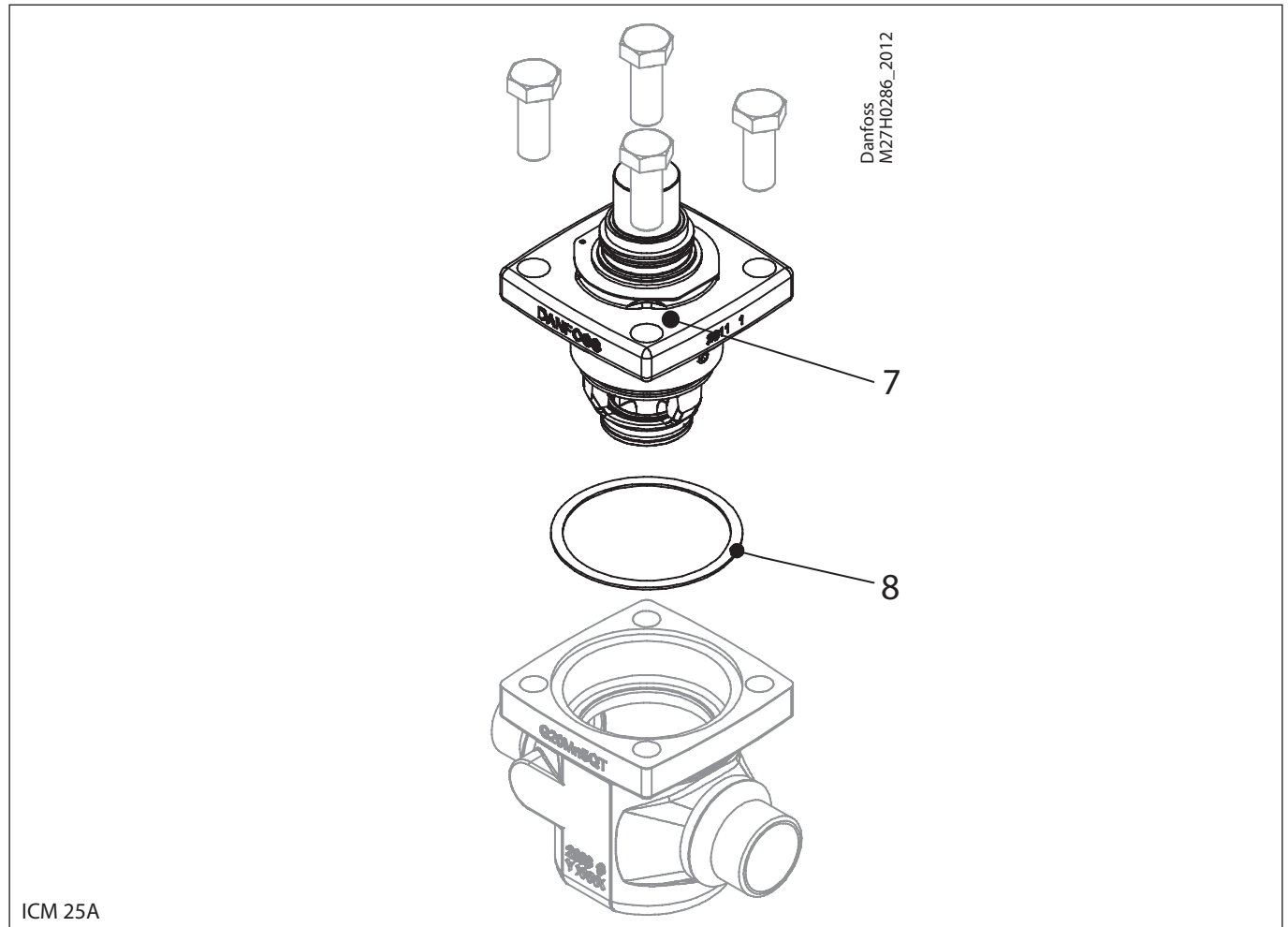
Overhaul kit | Code number 027H1182  
 ICM, size 20C



ICM 20C

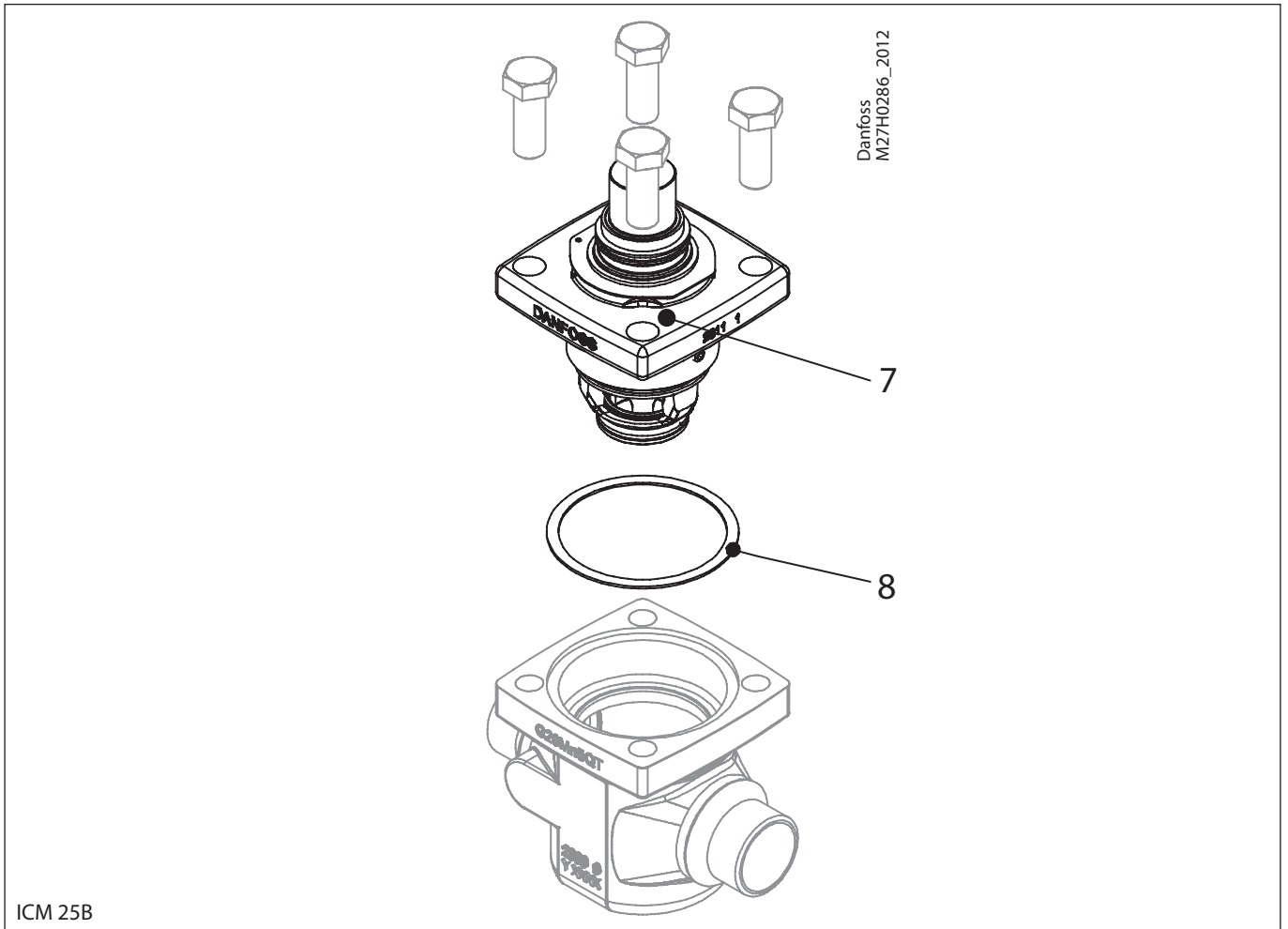
<p><b>1</b></p> <p>Total no. = 1</p>	<p><b>2</b></p> <p>Total no. = 1</p>	<p><b>3</b></p> <p>Total no. = 1</p>	<p><b>4</b></p> <p>Total no. = 1</p>
--------------------------------------	--------------------------------------	--------------------------------------	--------------------------------------

Overhaul kit | Code number 027H2180  
ICM, size 25A

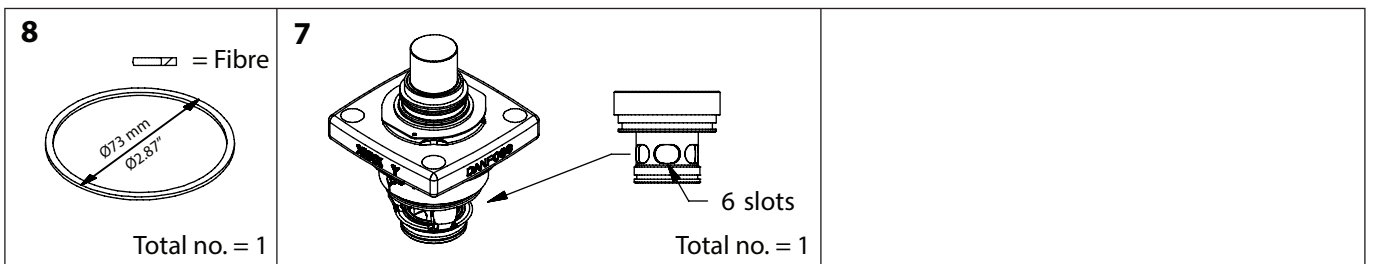




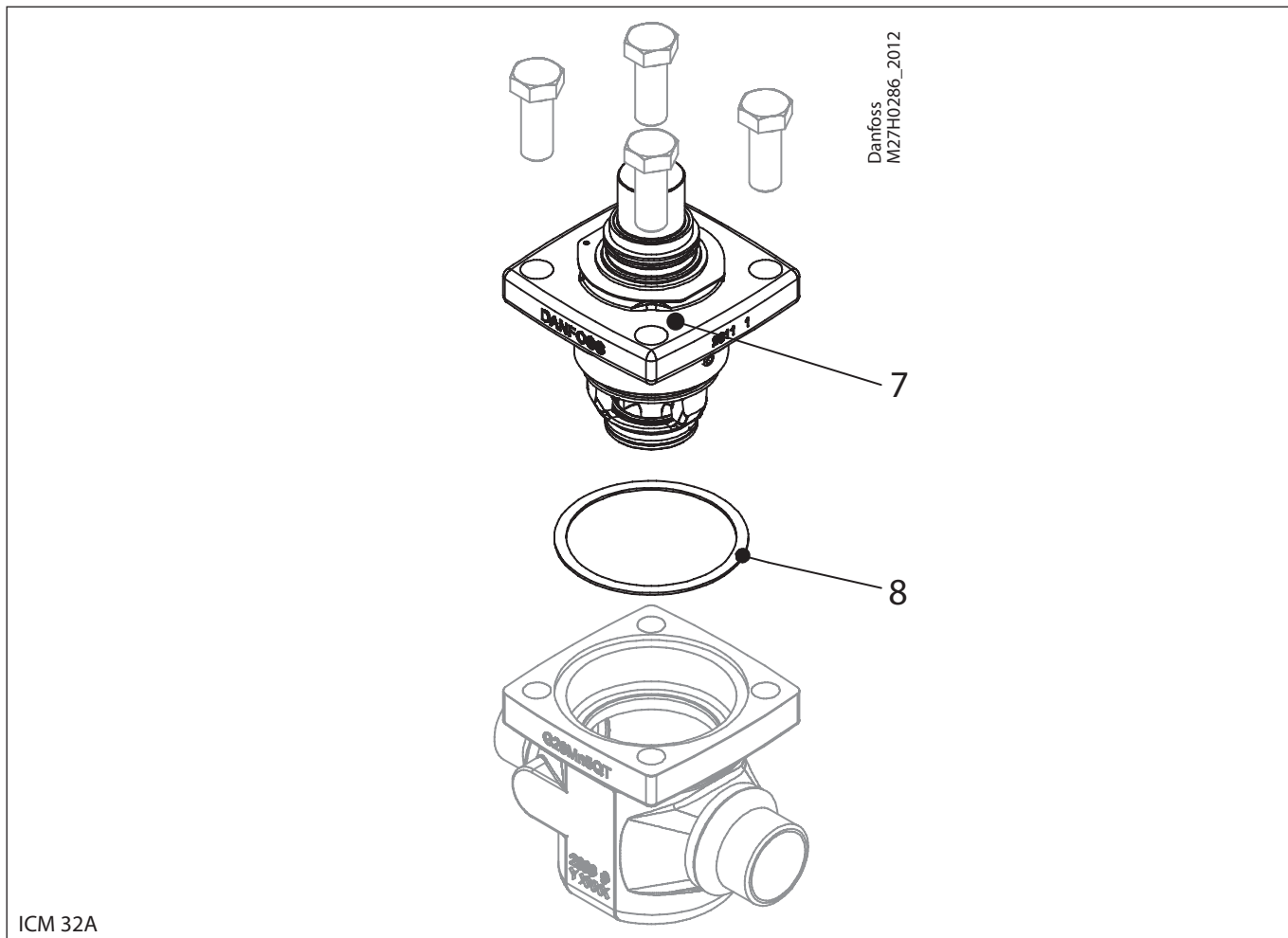
Overhaul kit | Code number 027H2181  
ICM, size 25B



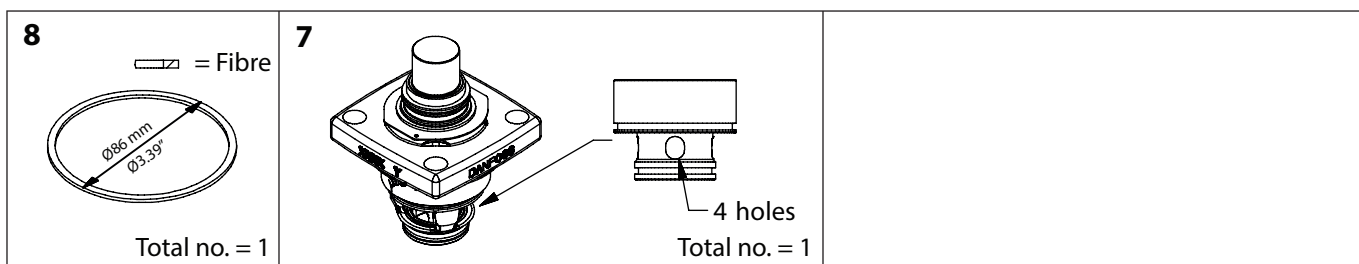
ICM 25B



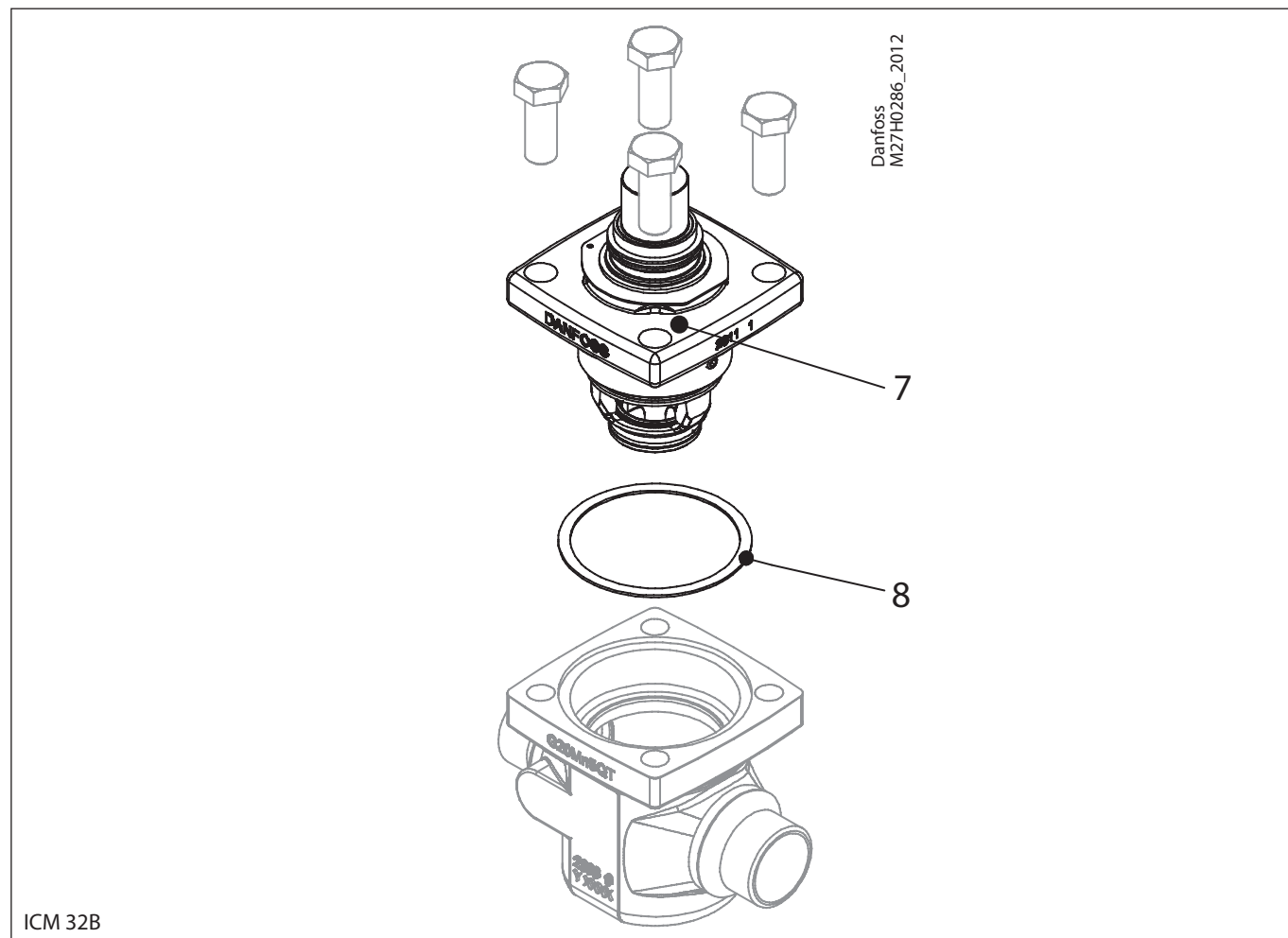
Overhaul kit | Code number 027H3180  
ICM, size 32A



ICM 32A

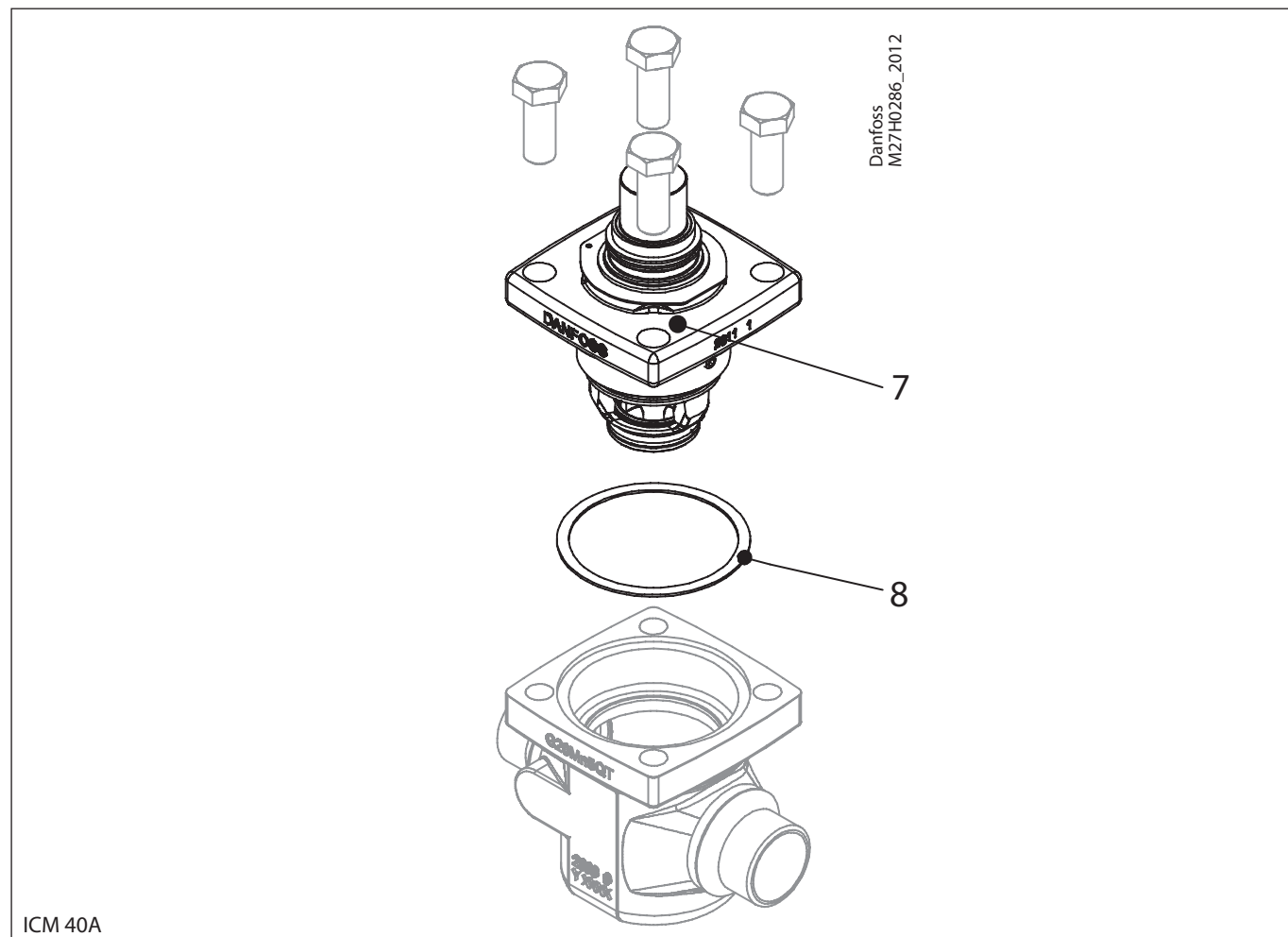


Overhaul kit | Code number 027H3181  
ICM, size 32B

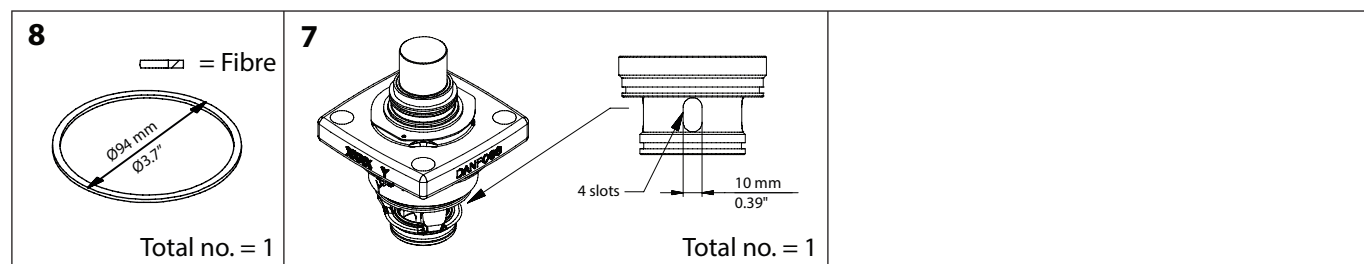


<p><b>8</b></p> <p> = Fibre</p> <p>Total no. = 1</p>	<p><b>7</b></p> <p>6 slots</p> <p>Total no. = 1</p>	
--	---	--

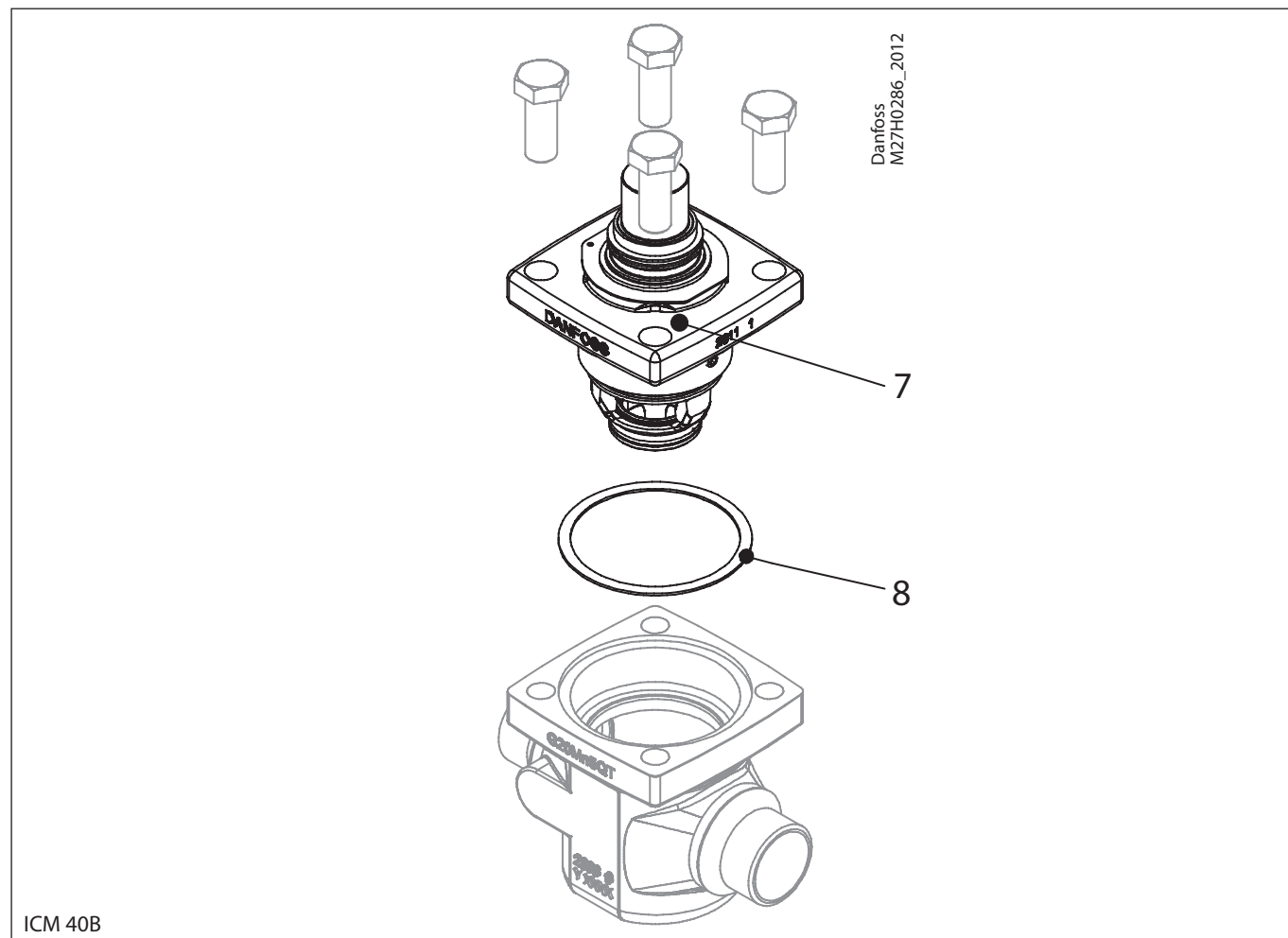
Overhaul kit | Code number 027H4180  
ICM, size 40A



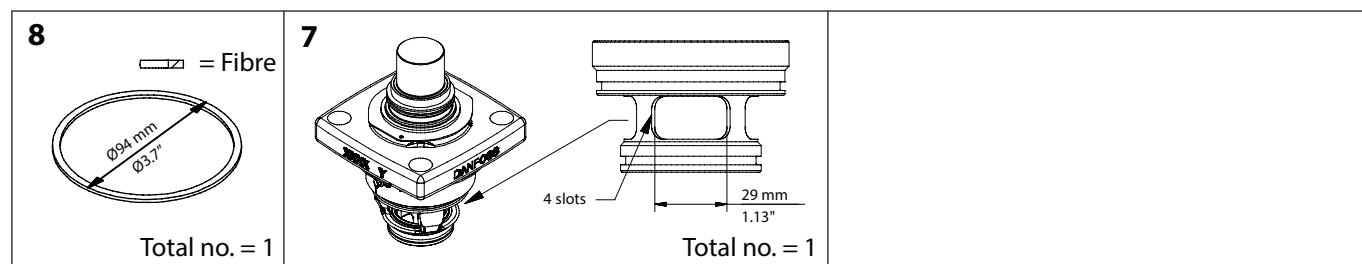
ICM 40A



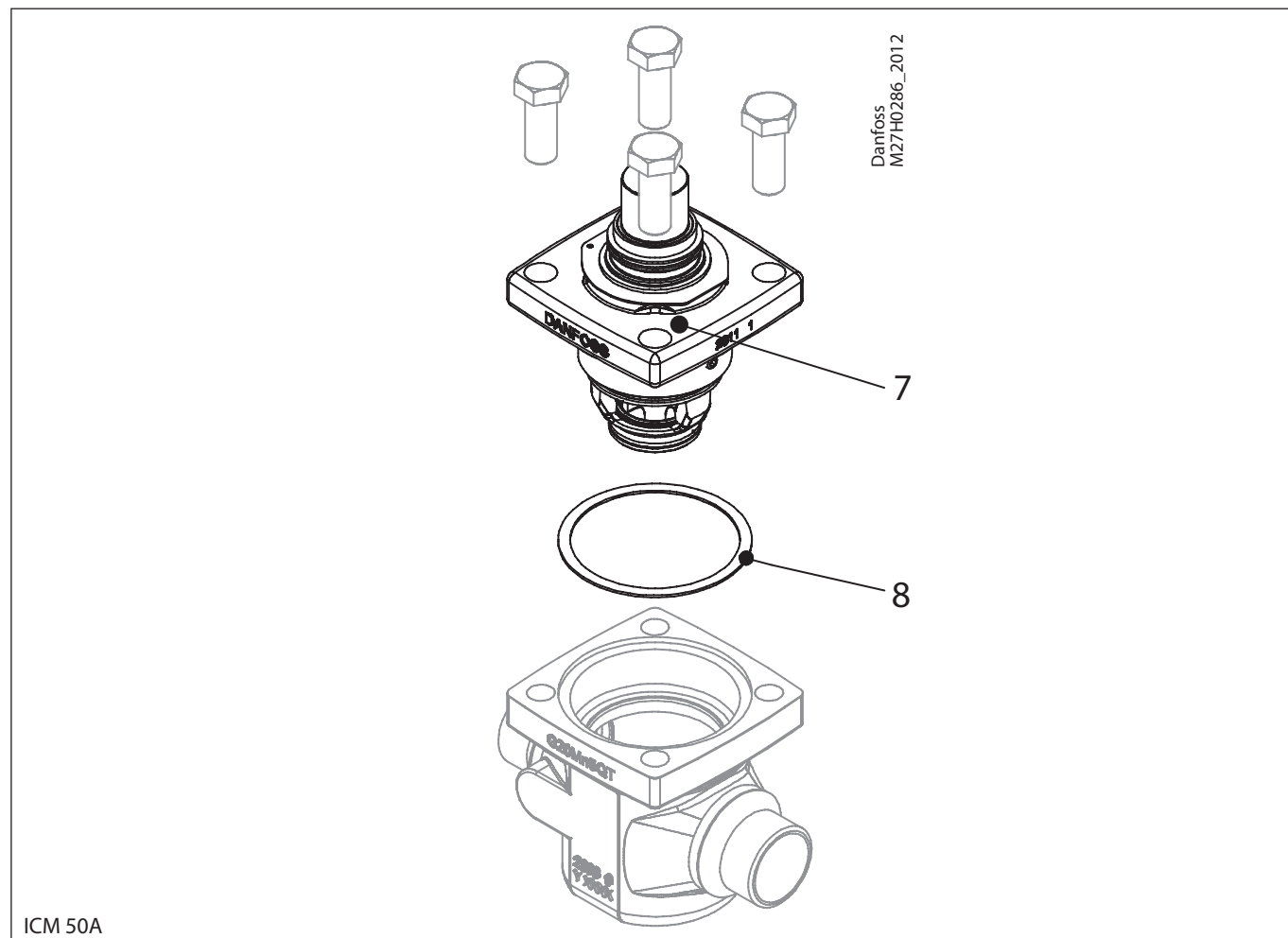
Overhaul kit | Code number 027H4181  
 ICM, size 40B



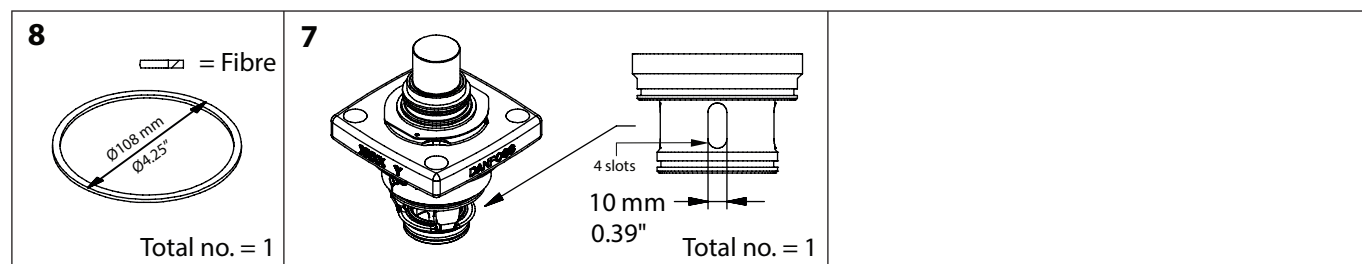
ICM 40B



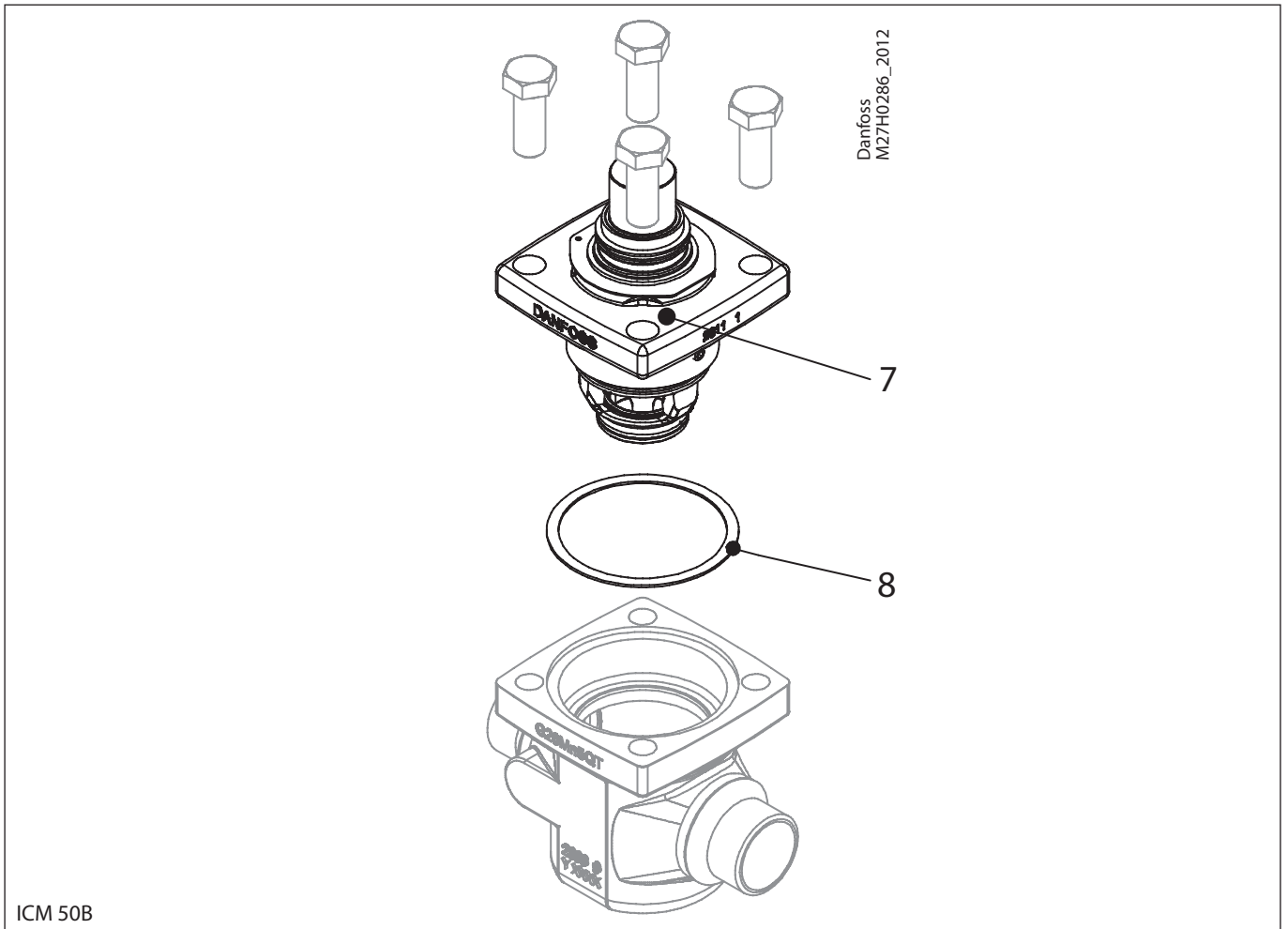
Overhaul kit | Code number 027H5180  
ICM, size 50A



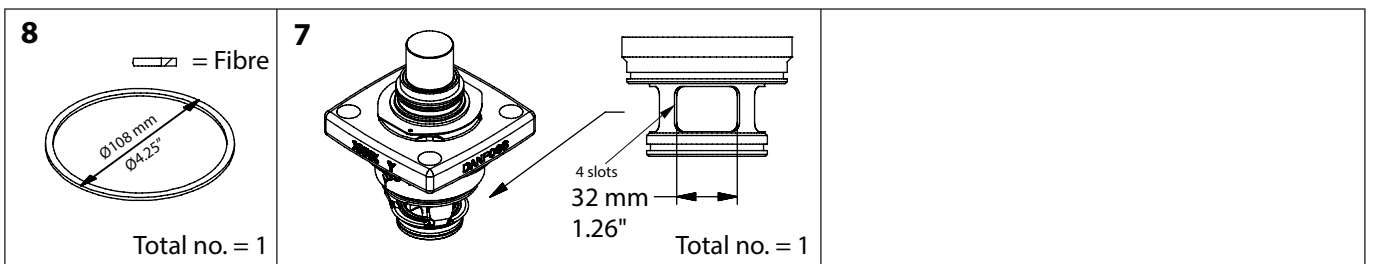
ICM 50A



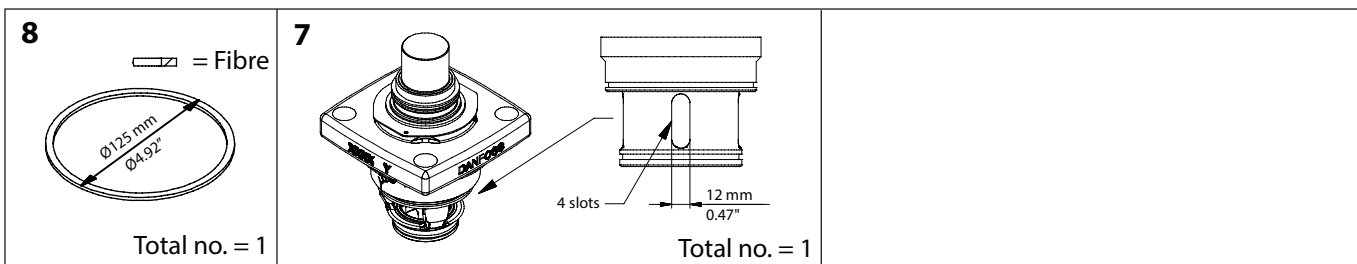
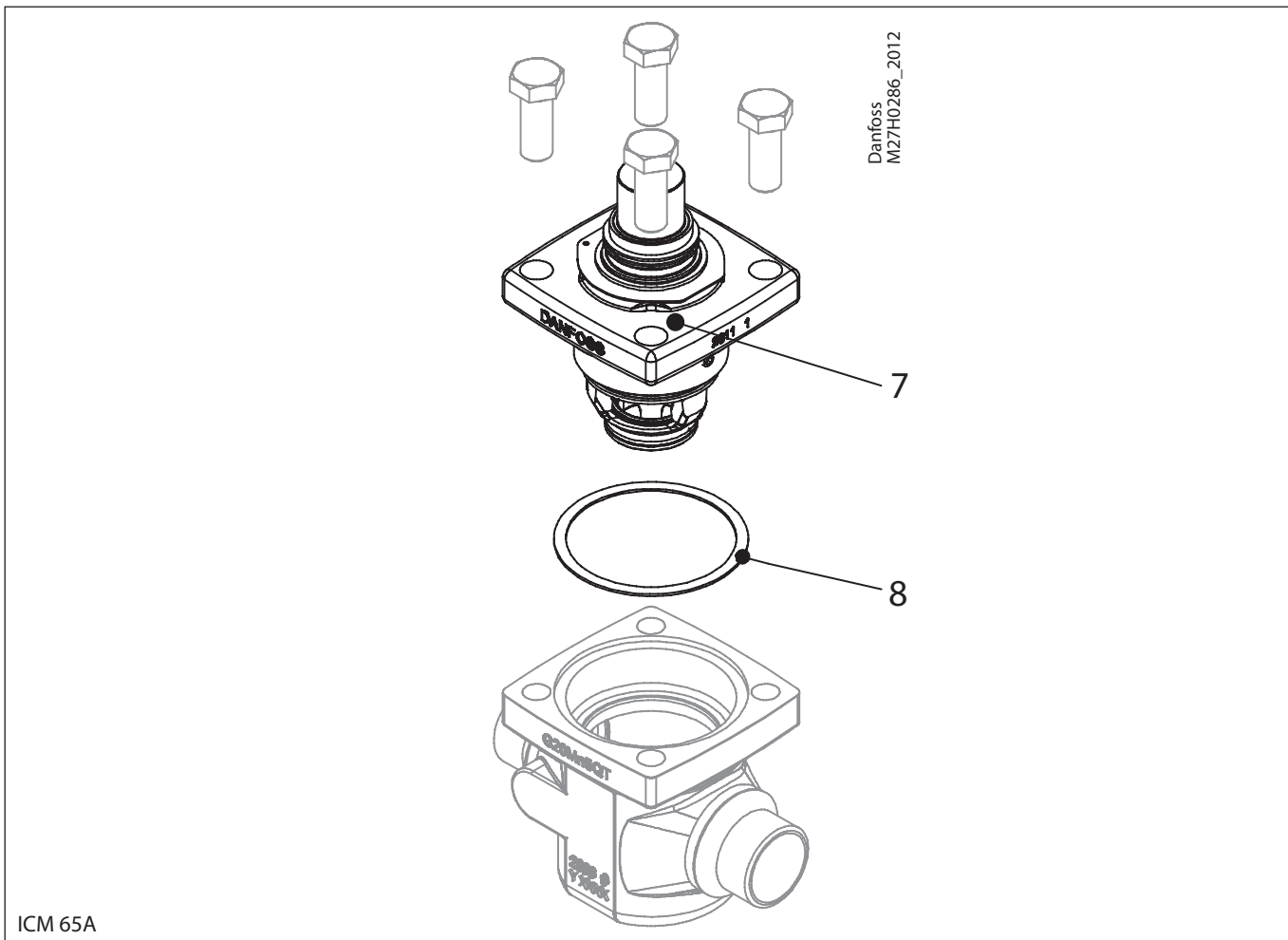
Overhaul kit | Code number 027H5181  
 ICM, size 50B



ICM 50B

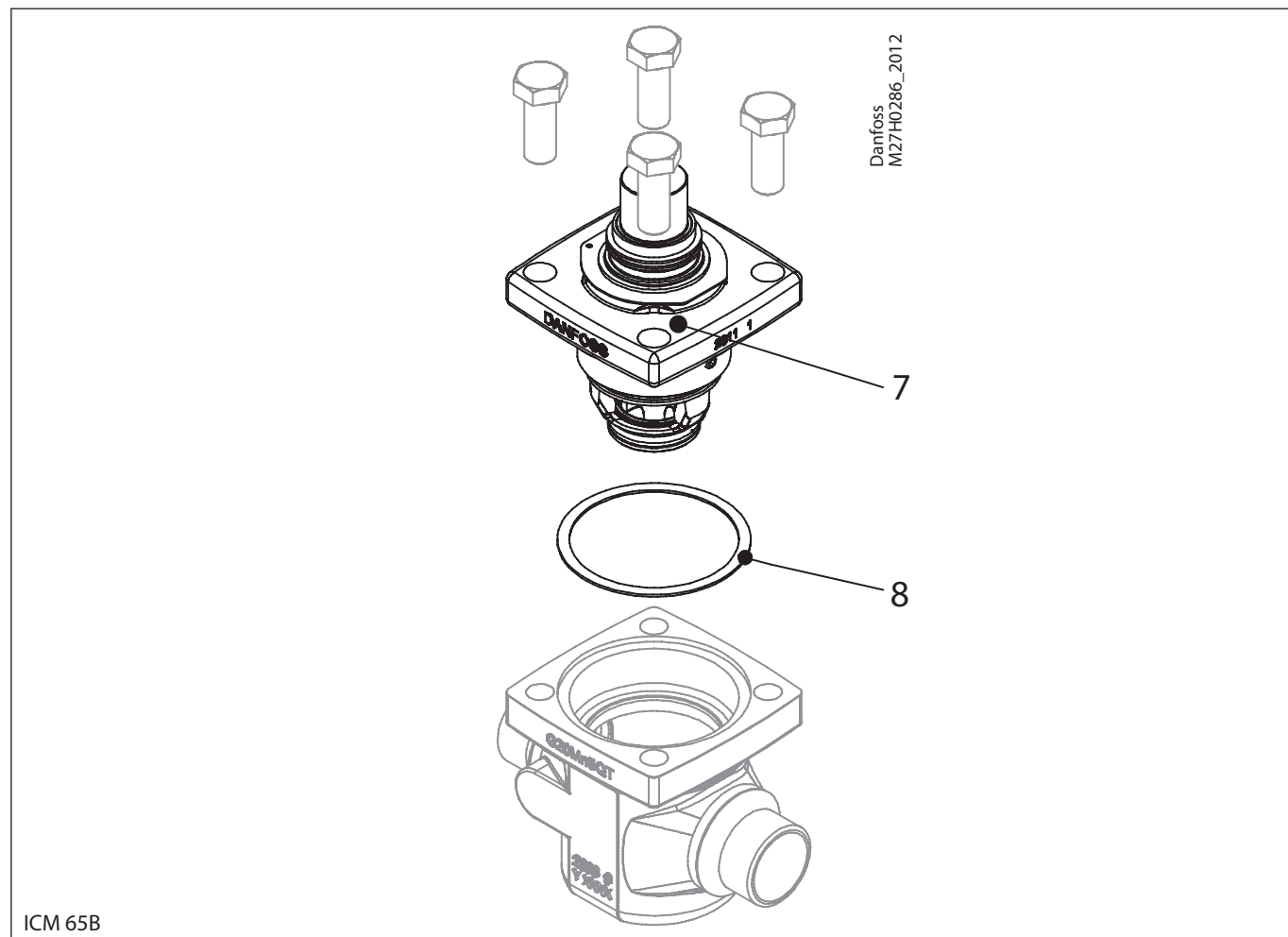


Overhaul kit | Code number 027H6180  
ICM, size 65A

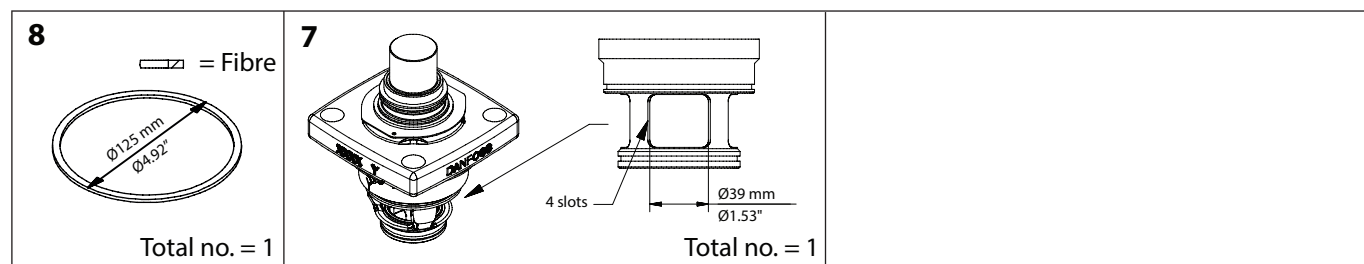




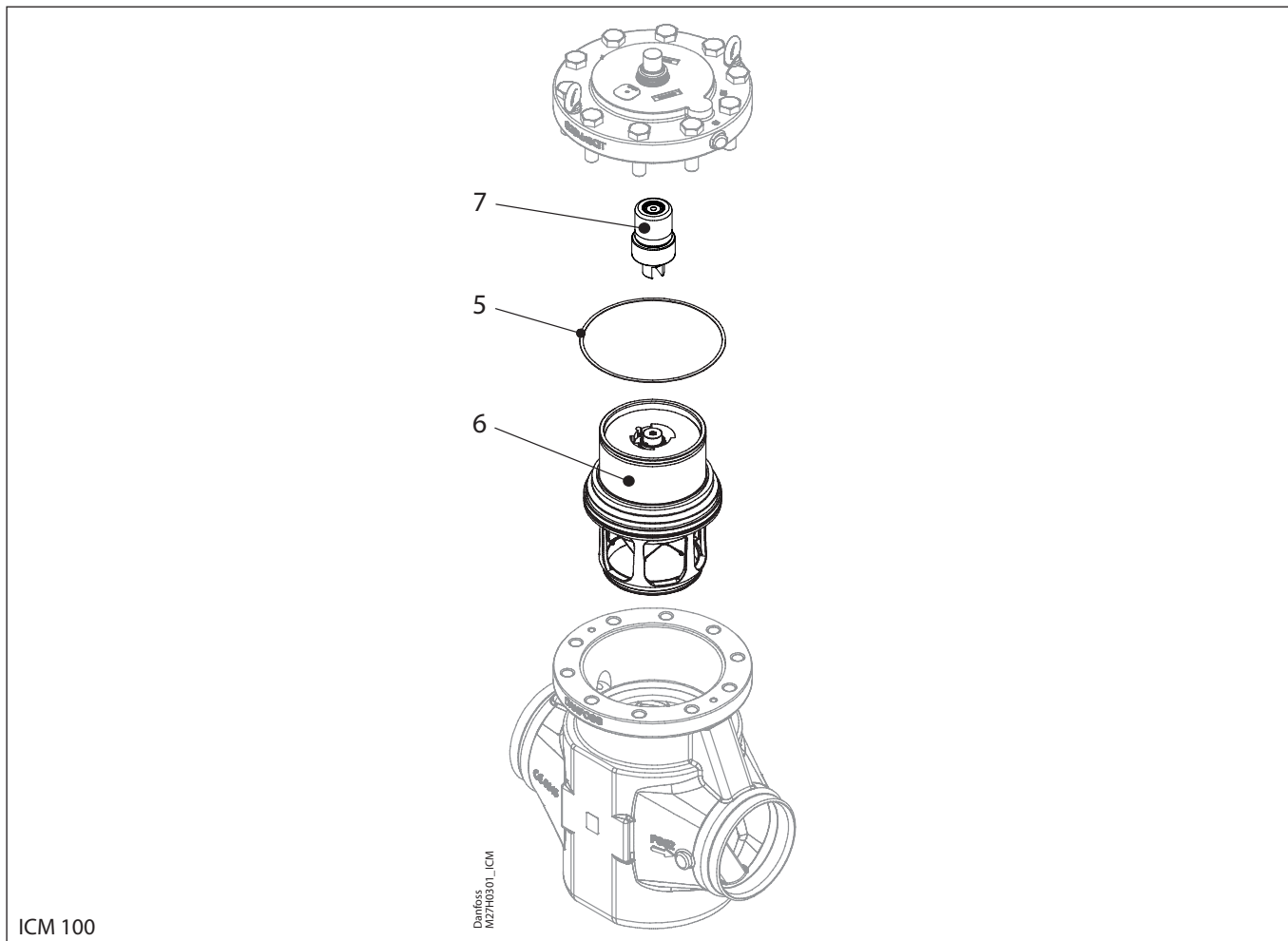
Overhaul kit | Code number 027H6181  
ICM, size 65B



ICM 65B



Overhaul kit | Code number 027H7136  
 ICM, size 100

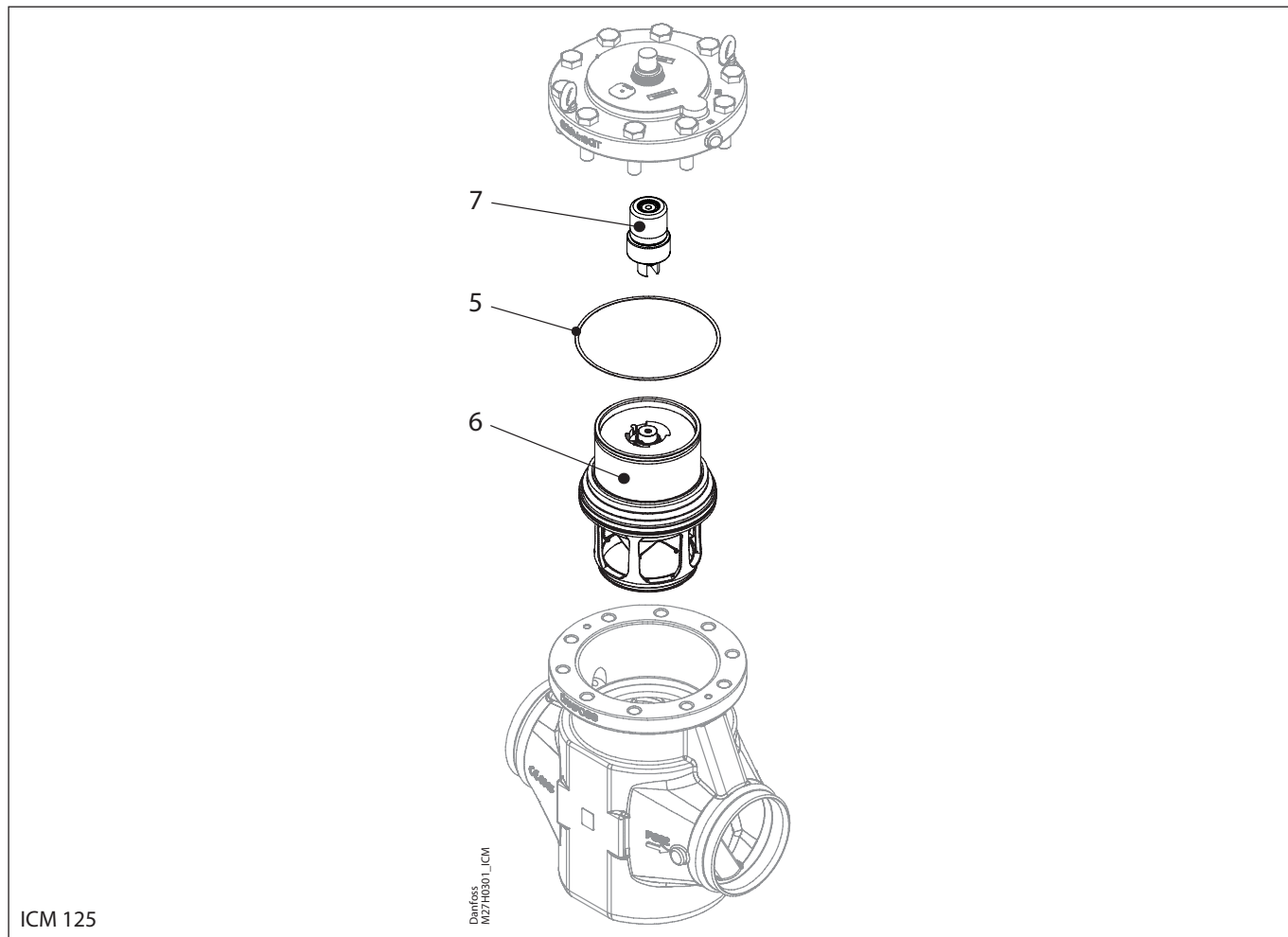


ICM 100

<p><b>5</b></p> <p>Total no. = 1</p>	<p><b>6</b></p> <p>Total no. = 1</p>	<p><b>7</b></p> <p>Total no. = 1</p>	
--------------------------------------	--------------------------------------	--------------------------------------	--

For a complete replacement of the ICM top cover including magnetic coupling and gasket; please see page 63.

Overhaul kit | Code number 027H7156  
 ICM, size 125

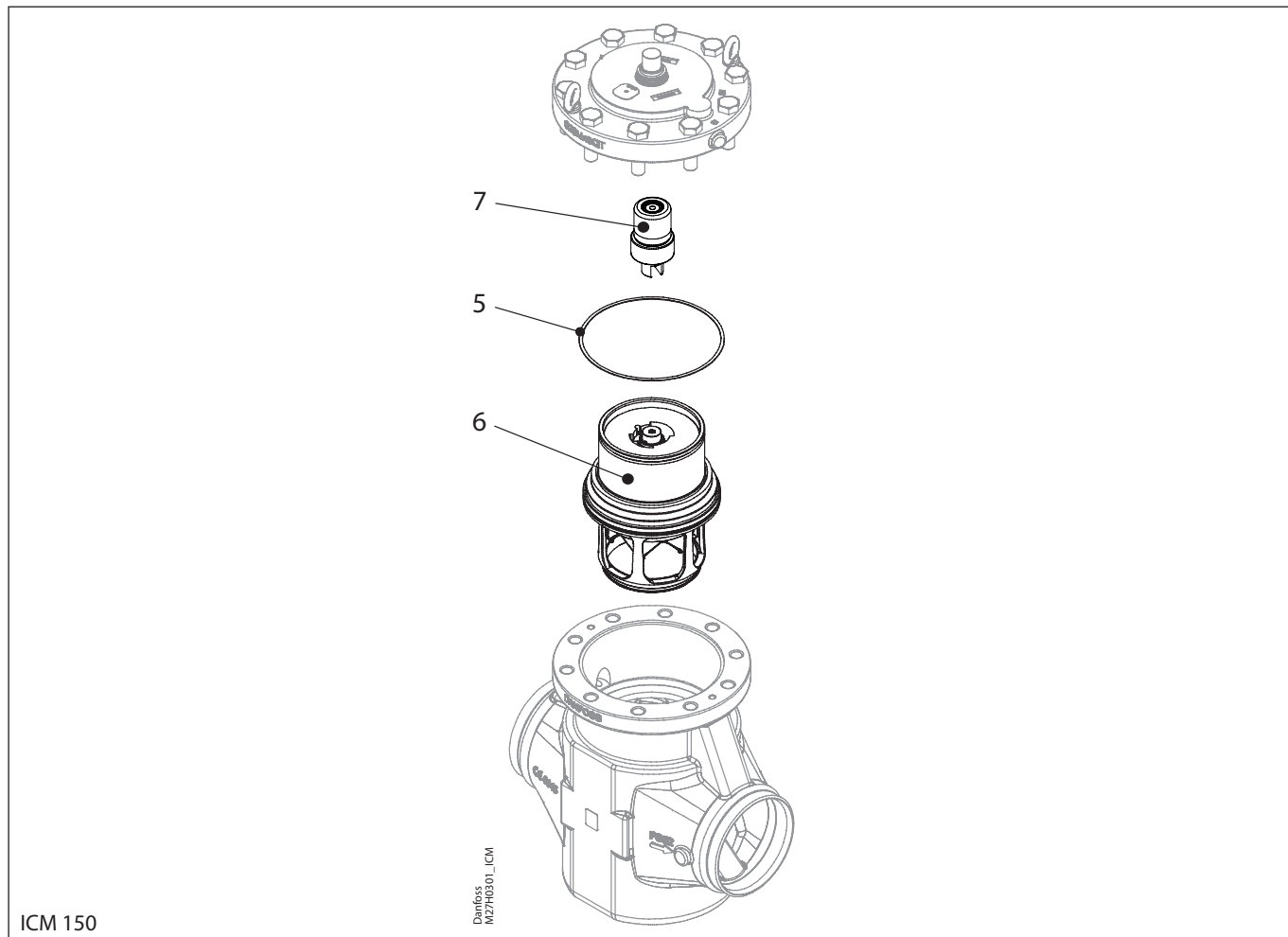


ICM 125

<p><b>5</b></p> <p>Total no. = 1</p>	<p><b>6</b></p> <p>Total no. = 1</p>	<p><b>7</b></p> <p>Total no. = 1</p>	
--------------------------------------	--------------------------------------	--------------------------------------	--

For a complete replacement of the ICM top cover including magnetic coupling and gasket; please see page 63.

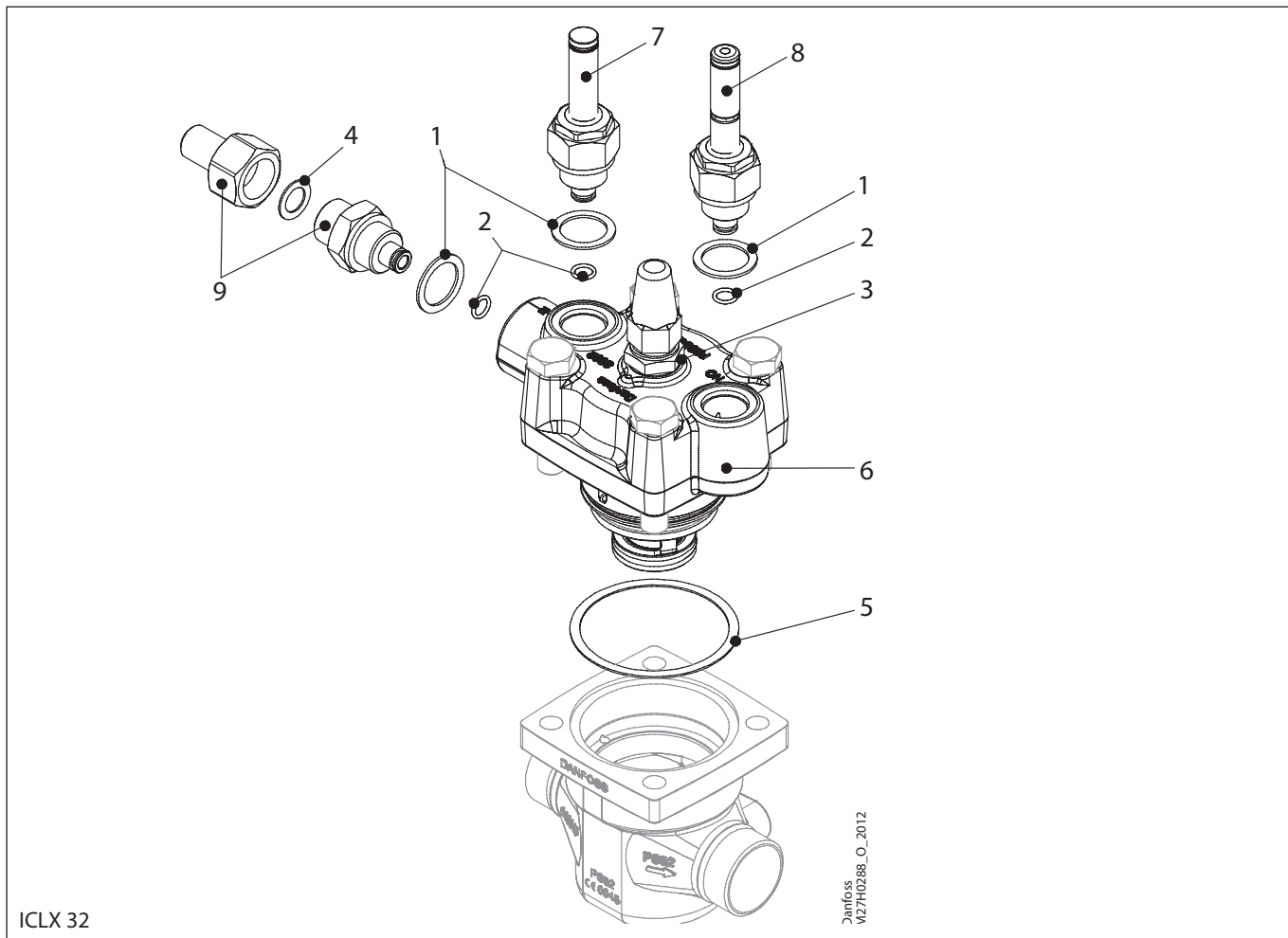
Overhaul kit | Code number 027H7176  
 ICM, size 150



<p><b>5</b></p> <p>Total no. = 1</p>	<p><b>6</b></p> <p>Total no. = 1</p>	<p><b>7</b></p> <p>Total no. = 1</p>	
--------------------------------------	--------------------------------------	--------------------------------------	--

For a complete replacement of the ICM top cover including magnetic coupling and gasket; please see page 63.

Overhaul kit | Code number 027H3204  
ICLX, size 32

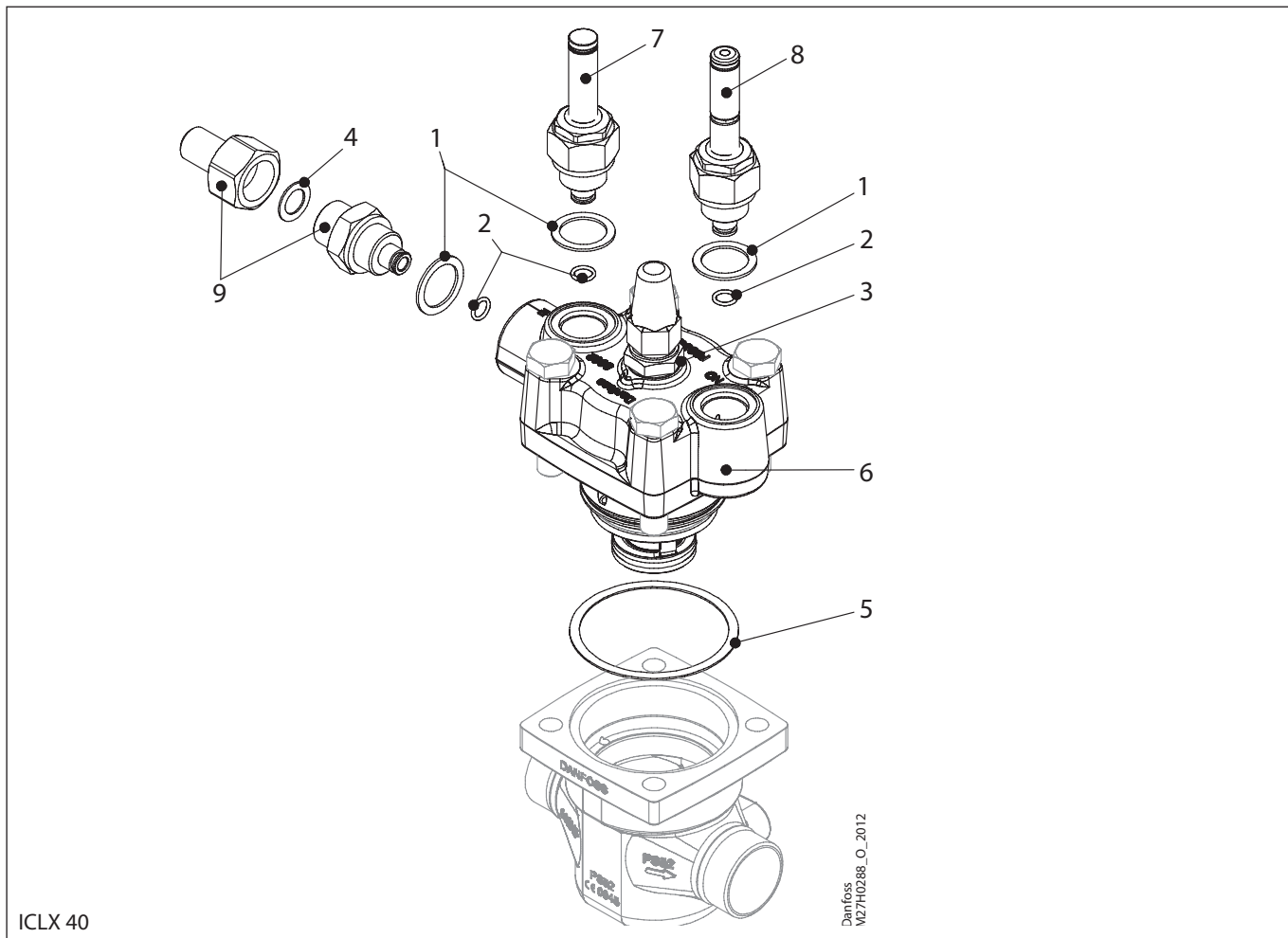


ICLX 32

Danfoss  
V127H0288\_O\_2012

<p><b>1</b></p> <p> = Fibre</p> <p>Total no. = 3</p>	<p><b>2</b></p> <p> = Fibre</p> <p>Total no. = 3</p>	<p><b>3</b></p> <p> = Alu.</p> <p>Total no. = 1</p>	<p><b>4</b></p> <p> = Alu.</p> <p>Total no. = 1</p>	<p><b>5</b></p> <p> = Fibre</p> <p>Total no. = 1</p>
<p><b>6</b></p> <p>Total no. = 1</p>	<p><b>7</b></p> <p>Total no. = 1</p>	<p><b>8</b></p> <p>Total no. = 1</p>	<p><b>9</b></p> <p>Total no. = 1</p>	

Overhaul kit | Code number 027H4204  
ICLX, size 40

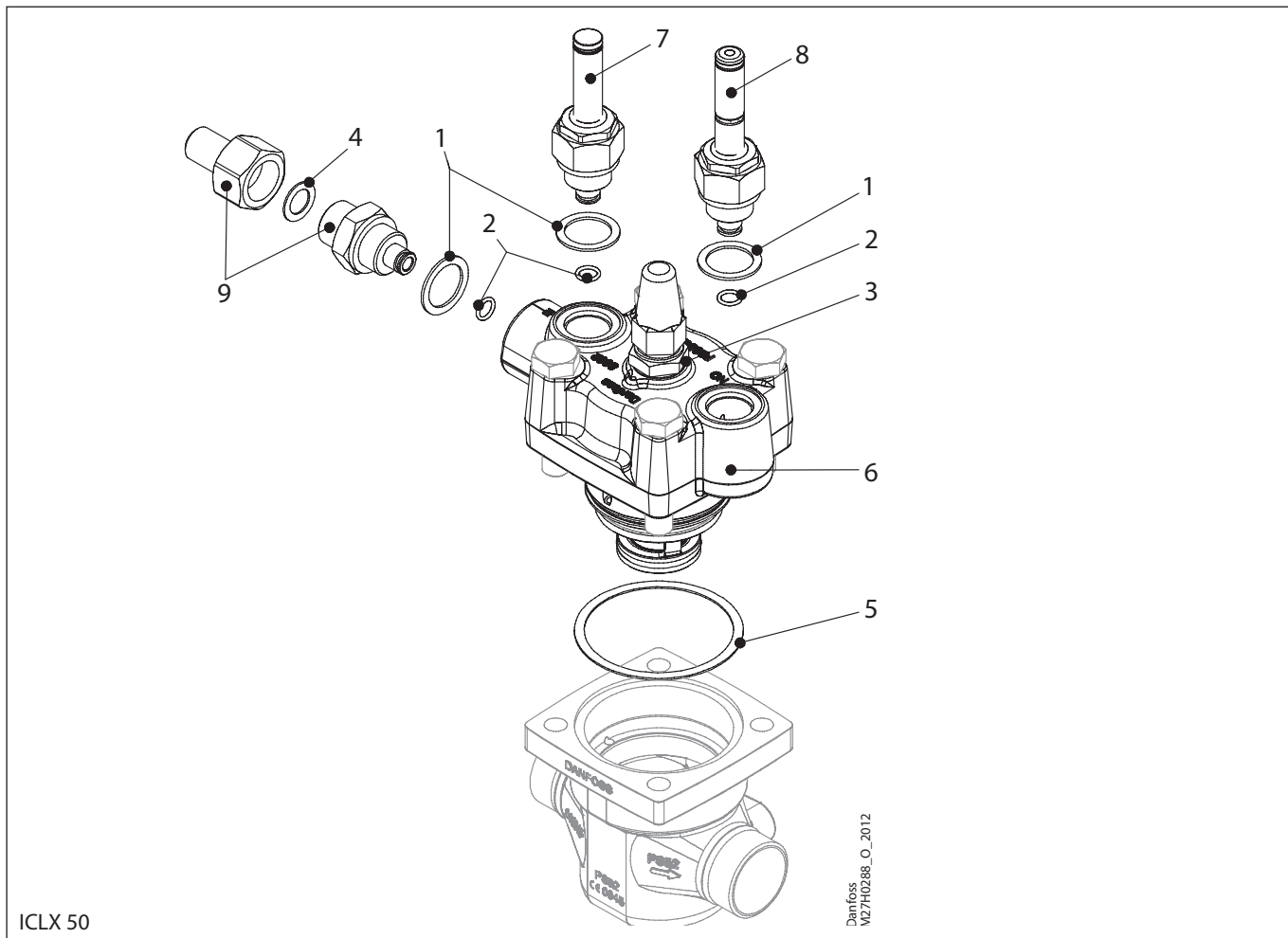


ICLX 40

Danfoss  
V127H0288\_O\_2012

<p><b>1</b></p> <p> = Fibre</p> <p>Total no. = 3</p>	<p><b>2</b></p> <p> = Alu.</p> <p>Total no. = 3</p>	<p><b>3</b></p> <p> = Alu.</p> <p>Total no. = 1</p>	<p><b>4</b></p> <p> = Alu.</p> <p>Total no. = 1</p>	<p><b>5</b></p> <p> = Fibre</p> <p>Total no. = 1</p>
<p><b>6</b></p> <p>Total no. = 1</p>	<p><b>7</b></p> <p>Total no. = 1</p>	<p><b>8</b></p> <p>Total no. = 1</p>	<p><b>9</b></p> <p>Total no. = 1</p>	

Overhaul kit | Code number 027H5204  
ICLX, size 50

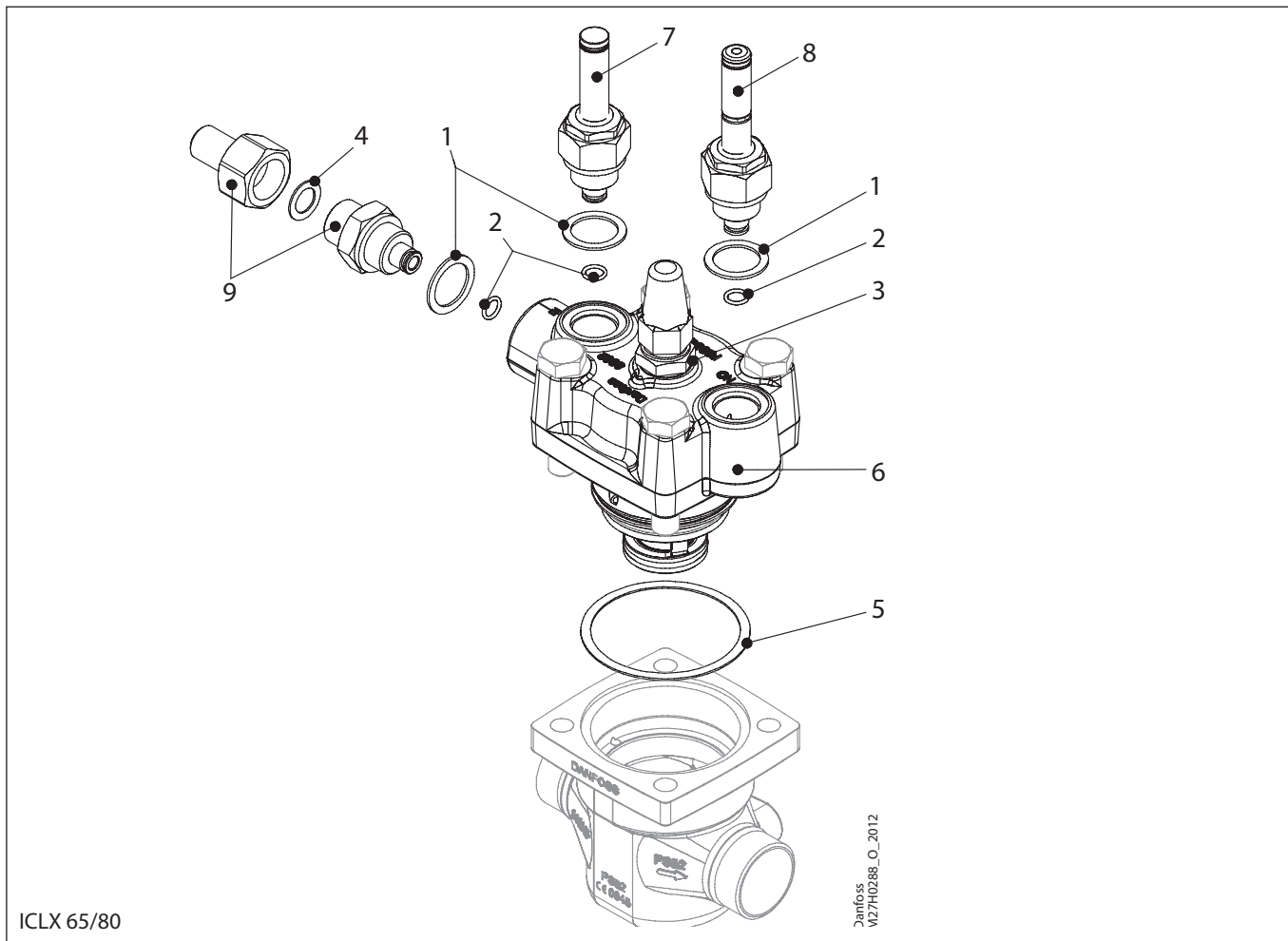


ICLX 50

Danfoss  
V027H0288\_O\_2012

<p><b>1</b></p> <p> = Fibre</p> <p>Total no. = 3</p>	<p><b>2</b></p> <p></p> <p>Total no. = 3</p>	<p><b>3</b></p> <p> = Alu.</p> <p>Total no. = 1</p>	<p><b>4</b></p> <p> = Alu.</p> <p>Total no. = 1</p>	<p><b>5</b></p> <p> = Fibre</p> <p>Total no. = 1</p>
<p><b>6</b></p> <p>Total no. = 1</p>	<p><b>7</b></p> <p>Total no. = 1</p>	<p><b>8</b></p> <p>Total no. = 1</p>	<p><b>9</b></p> <p>Total no. = 1</p>	

Overhaul kit | Code number 027H6204  
ICLX, size 65/80



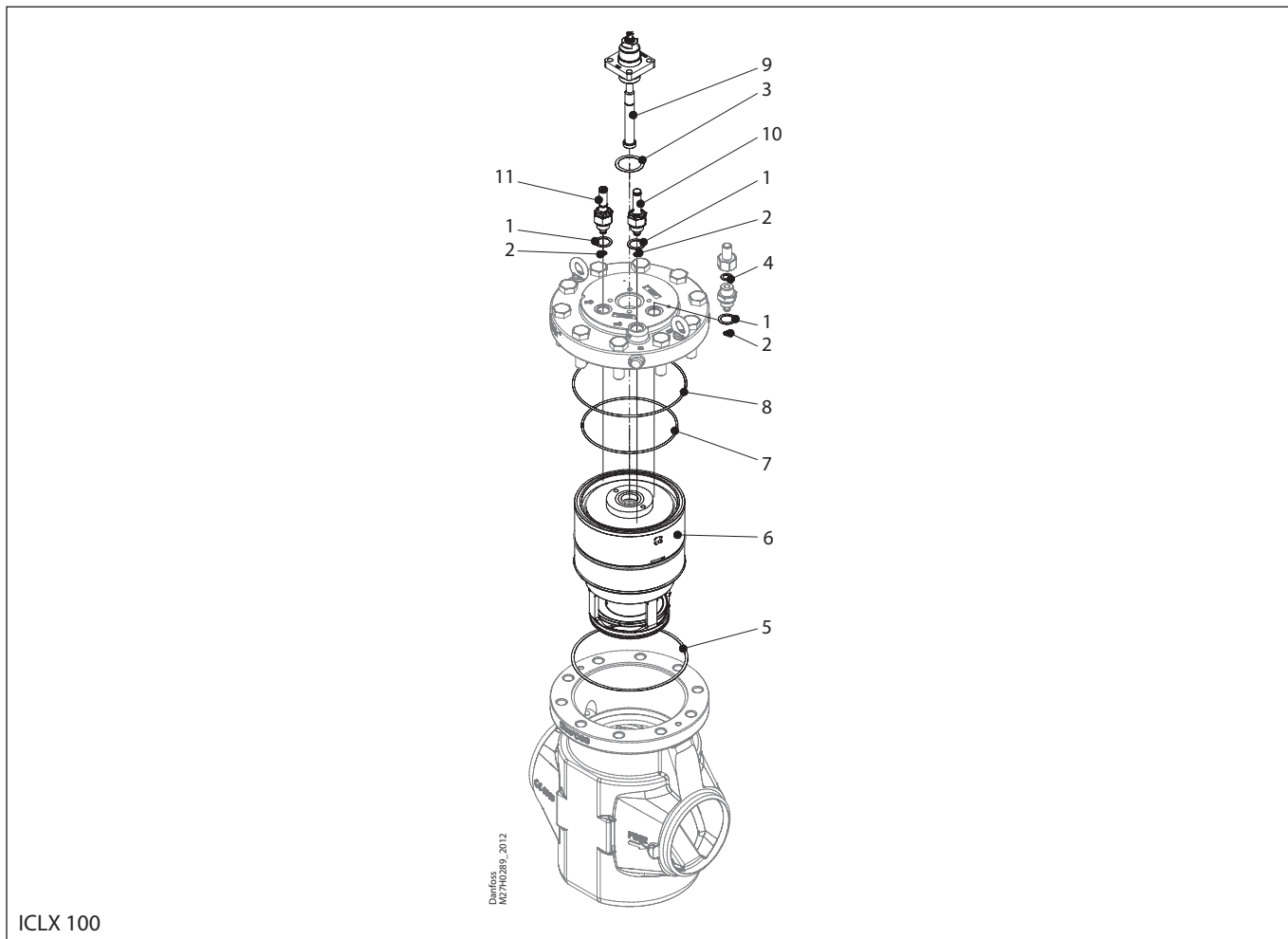
ICLX 65/80

Danfoss  
W27H0288\_O\_2012

<p><b>1</b></p> <p> = Fibre</p> <p></p> <p><math>\frac{\text{Ø}32.5 \text{ mm}}{\text{Ø}1.28''}</math></p> <p>Total no. = 3</p>	<p><b>2</b></p> <p> = Metal</p> <p></p> <p><math>\frac{\text{Ø}9 \text{ mm}}{\text{Ø}0.36''}</math></p> <p>Total no. = 3</p>	<p><b>3</b></p> <p> = Alu.</p> <p></p> <p><math>\frac{\text{Ø}26 \text{ mm}}{\text{Ø}1.02''}</math></p> <p>Total no. = 1</p>	<p><b>4</b></p> <p> = Alu.</p> <p></p> <p><math>\frac{\text{Ø}22 \text{ mm}}{\text{Ø}0.87''}</math></p> <p>Total no. = 1</p>	<p><b>5</b></p> <p> = Fibre</p> <p></p> <p><math>\frac{\text{Ø}125 \text{ mm}}{\text{Ø}4.92''}</math></p> <p>Total no. = 1</p>
<p><b>6</b></p> <p></p> <p>Total no. = 1</p>	<p><b>7</b></p> <p></p> <p>Total no. = 1</p>	<p><b>8</b></p> <p></p> <p>Total no. = 1</p>	<p><b>9</b></p> <p></p> <p>Total no. = 1</p>	



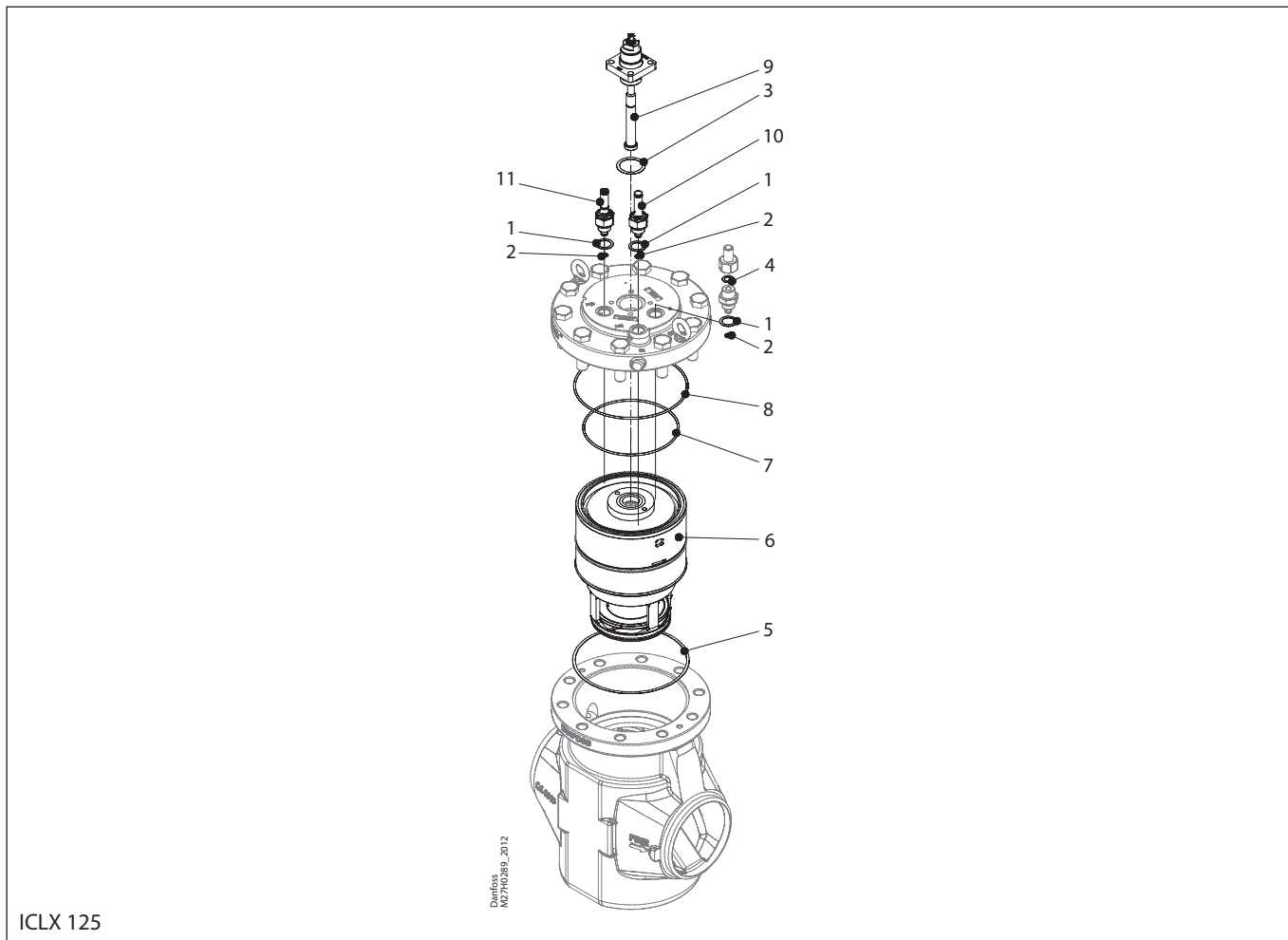
Overhaul kit | Code number 027H7221  
ICLX, size 100



ICLX 100

<p><b>1</b></p> <p> = Fibre</p> <p></p> <p>Total no. = 3</p>	<p><b>2</b></p> <p> = O-ring</p> <p></p> <p>Total no. = 3</p>	<p><b>3</b></p> <p> = Fibre</p> <p></p> <p>Total no. = 1</p>	<p><b>4</b></p> <p> = Alu.</p> <p></p> <p>Total no. = 1</p>	<p><b>5</b></p> <p> = Fibre</p> <p></p> <p>Total no. = 1</p>
<p><b>6</b></p> <p></p> <p>Total no. = 1</p>	<p><b>7</b></p> <p> = O-ring</p> <p></p> <p>Total no. = 1</p>	<p><b>8</b></p> <p> = O-ring</p> <p></p> <p>Total no. = 1</p>	<p><b>9</b></p> <p></p> <p>Total no. = 1</p>	<p><b>10</b></p> <p></p> <p>Total no. = 1</p>
<p><b>11</b></p> <p></p> <p>Total no. = 1</p>				

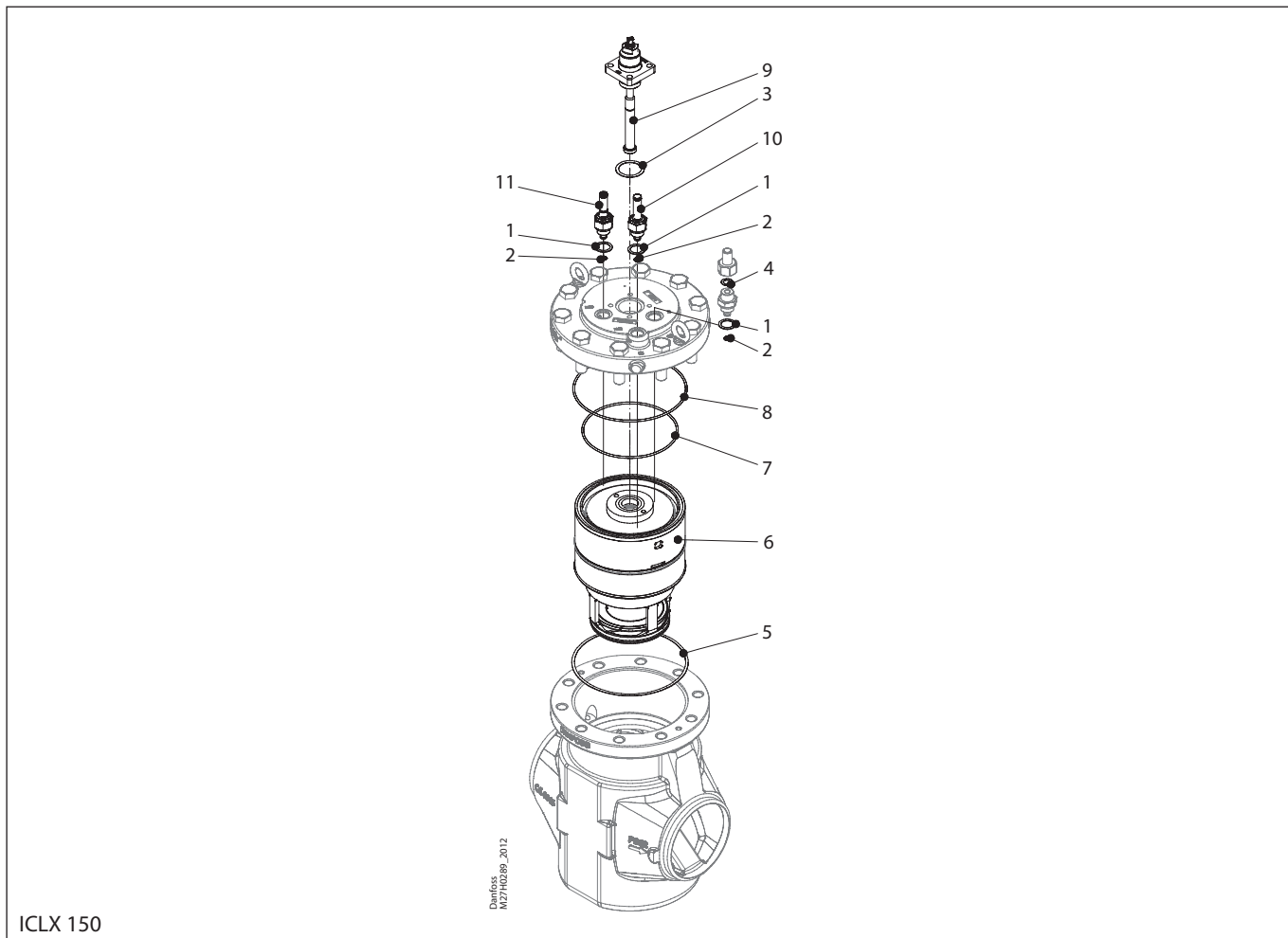
Overhaul kit | Code number 027H7222  
ICLX, size 125



ICLX 125

<p><b>1</b></p> <p> = Fibre</p> <p></p>	<p><b>2</b></p> <p> = O-ring</p> <p></p>	<p><b>3</b></p> <p> = Fibre</p> <p></p>	<p><b>4</b></p> <p> = Alu.</p> <p></p>	<p><b>5</b></p> <p> = Fibre</p> <p></p>
<p><b>6</b></p> <p></p>	<p><b>7</b></p> <p> = O-ring</p> <p></p>	<p><b>8</b></p> <p> = O-ring</p> <p></p>	<p><b>9</b></p> <p></p>	<p><b>10</b></p> <p></p>
<p><b>11</b></p> <p></p>				

Overhaul kit | Code number 027H7223  
ICLX, size 150



ICLX 150

<p><b>1</b></p> <p> = Fibre</p> <p></p> <p>Total no. = 3</p>	<p><b>2</b></p> <p></p> <p></p> <p>Total no. = 3</p>	<p><b>3</b></p> <p> = Fibre</p> <p></p> <p>Total no. = 1</p>	<p><b>4</b></p> <p> = Alu.</p> <p></p> <p>Total no. = 1</p>	<p><b>5</b></p> <p> = Fibre</p> <p></p> <p>Total no. = 1</p>
<p><b>6</b></p> <p></p> <p>Total no. = 1</p>	<p><b>7</b></p> <p></p> <p></p> <p>Total no. = 1</p>	<p><b>8</b></p> <p></p> <p></p> <p>Total no. = 1</p>	<p><b>9</b></p> <p></p> <p>Total no. = 1</p>	<p><b>10</b></p> <p></p> <p>Total no. = 1</p>
<p><b>11</b></p> <p></p> <p>Total no. = 1</p>				

## Accessories for ICS pilot operated servo valve

### ICV flanged valve housings

	For ICS	Description	Code number
	25	ICV 25 PM Valve housing	027H2119 *)
	32	ICV 32 PM Valve housing	027H3129 *)
	40	ICV 40 PM Valve housing	027H4128 *)
	50	ICV 50 PM Valve housing	027H5127 **)
	65	ICV 65 PM Valve housing	027H6128 **)
	25	ICV 25 (H)A4A Valve housing	027H2304 *)
	32	ICV 32 A4A Valve housing	027H3130 *)
	32	ICV 32 HA4A Valve housing	027H3131 *)
	40	ICV 40 (H)A4A Valve housing	027H4129 *)
	50	ICV 50 (H)A4A Valve housing	027H5128 **)
	65	ICV 65 (H)A4A Valve housing	027H6129 **)

\*) Includes valve housing, flange gaskets and flange bolts.

\*\*) Includes valve housing, flange gaskets, flange bolts and flange nuts.

Function modules and top covers must be ordered separately.

### Pressure gauge connection (weld / solder).

	Description	Code number
	Ø 6.5 mm / Ø 10 mm (Ø 0.26 in. / Ø 0.39 in.) weld / solder	027B2035

### Pressure gauge connection, ¼ in. flare (self-closing) Must not be used in R 717 plant.

	Description	Code number
	¼ in. flare	027B2041

### Pressure gauge connection (cutting ring).

	Description	Code number
	Cutting ring connection, 6 mm	027B2063
	Cutting ring connection, 10 mm	027B2064

### Pressure gauge connection.

	Description	Code number
	¼ in. flare	027B2062

### External pilot connection.

	For ICS	Description	Code number
	5-80	External pilot connection (incl. damping orifice, D: 1.0 mm)	027F1048
	100-150	External pilot connection (incl. damping orifice, D: 1.8 mm)	027F1049
	5-150	Accessory bag with seal and O-ring for pilot valve	027F0666

### Blanking plug for pilot valves.

	Description	Code number
	Blanking plug	027F1046

## Accessories for ICS pilot operated servo valve

### Multi-function tool

	For ICS	Description	Code number
	25-32	Multi-function tool	027H0180
	40-65	Multi-function tool	027H0181
<p>The multi-funktion tool can be used for:</p> <ul style="list-style-type: none"> <li>• Removing the ICS function module</li> <li>• Operating the manual spindle</li> </ul>			

### ICS 100-150 - Top cover complete

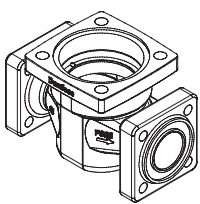
<p style="writing-mode: vertical-rl; transform: rotate(180deg);">Danfoss 27H190.10</p>	For ICS	Description	Code number
	100	Top cover complete with manual spindle, and gasket	027H7123
	125	Top cover complete with manual spindle, and gasket	027H7143
	150	Top cover complete with manual spindle, and gasket	027H7163

### Cap including gasket

	For ICS	Description	Code number
	100-150	Red cap including gasket	148B4076

## Accessories for ICM Motor operated valve and ICAD Actuator

### ICV flanged valve housings


	For ICS	Description	Code number
	25	ICV 25 PM Valve housing	027H2119 *)
	32	ICV 32 PM Valve housing	027H3129 *)
	40	ICV 40 PM Valve housing	027H4128 *)
	50	ICV 50 PM Valve housing	027H5127 **)
	65	ICV 65 PM Valve housing	027H6128 **)
	25	ICV 25 (H)A4A Valve housing	027H2304 *)
	32	ICV 32 A4A Valve housing	027H3130 *)
	32	ICV 32 HA4A Valve housing	027H3131 *)
	40	ICV 40 (H)A4A Valve housing	027H4129 *)
	50	ICV 50 (H)A4A Valve housing	027H5128 **)
	65	ICV 65 (H)A4A Valve housing	027H6129 **)

\*) Includes valve housing, flange gaskets and flange bolts.

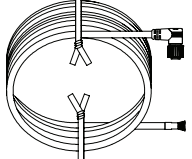
\*\*\*) Includes valve housing, flange gaskets, flange bolts and flange nuts.

Function modules and top covers must be ordered separately.

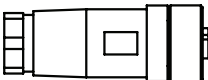
### ICAD-UPS

	Description	Code number
	ICAD-UPS	027H0182

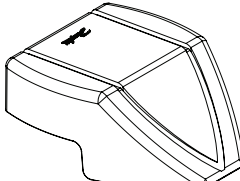
### Cable for ICAD 600A/1200A

	Description	Code number
	Cable set 1.5 m, female	027H0426
	Cable set 3 m, female	027H0438
	Cable set 10 m, female	027H0427
	Cable set 15 m, female	027H0435

### Connectors for ICAD 600A/1200A

	Description	Code number
	Two Female Connectors with screw terminals: - connector for power - connector for control signals	027H0430

### Protection cap ICAD 600A/1200A

	Description	Code number
	Protection cap	027H0431

## Accessories for ICM Motor operated valve and ICAD Actuator

### Multi-function tool

	For ICM	Description	Code number
	20-32	Multi-function tool	<b>027H0180</b>
	40-65	Multi-function tool	<b>027H0181</b>
The multi-funktion tool can be used for: <ul style="list-style-type: none"> <li>• Removing the ICS function module</li> <li>• Operating the manual spindle</li> </ul>			

### ICS 100-150 - Top cover complete

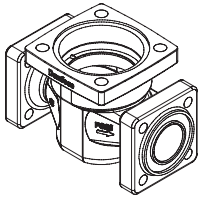
	For ICM	Description	Code number
	100	Top cover complete with magnet coupling and gasket	<b>027H7133</b>
	125	Top cover complete with magnet coupling and gasket	<b>027H7153</b>
	150	Top cover complete with magnet coupling and gasket	<b>027H7173</b>

### Installation kit for ICAD

	For ICM	Description	Code number
	20-32	External O-rings (1 + 2) and hexagon bolts (Molykote® G-4500 grease included)	<b>027H1207</b>
	40-150	External O-rings (1 + 2) and hexagon bolts (Molykote® G-4500 grease included)	<b>027H1208</b>

## Accessories for ICLX 2-step solenoid valve

### ICV flanged valve housings

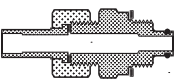
	For ICS	Description	Code number
	32	ICV 32 PM Valve housing	027H3129 *)
	40	ICV 40 PM Valve housing	027H4128 *)
	50	ICV 50 PM Valve housing	027H5127 **)
	65	ICV 65 PM Valve housing	027H6128 **)
	32	ICV 32 A4A Valve housing	027H3130 *)
	32	ICV 32 HA4A Valve housing	027H3131 *)
	40	ICV 40 (H)A4A Valve housing	027H4129 *)
	50	ICV 50 (H)A4A Valve housing	027H5128 **)
	65	ICV 65 (H)A4A Valve housing	027H6129 **)

\*) Includes valve housing, flange gaskets and flange bolts.

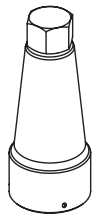
\*\*\*) Includes valve housing, flange gaskets, flange bolts and flange nuts.

Function modules and top covers must be ordered separately.

### External pilot connection.

 DANFOSS A27B93.15	For ICLX	Description	Code number
	32-80	External pilot connection (incl. damping orifice, D: 1.0 mm)	027F1048
	32-80	External pilot connection (1/4" FPT) (incl. damping orifice, D: 1.0 mm)	027B2065
	100-150	External pilot connection (incl. damping orifice, D: 1.8 mm)	027F1049
	100-150	External pilot connection (1/4" FPT) (incl. damping orifice, D: 1.8 mm)	027B2066
	5-150	Accessory bag with seal and O-ring for pilot valve	027F0666
	32-80	Damping orifice for EVM. 10 pcs, (D: 1.0 mm)	027F0664
	100-150	Damping orifice for EVM. 10 pcs, (D: 1.8 mm)	027F0176

### Cap including gasket

	For ICLX	Description	Code number
	32-40	Metalic cap including gasket	148B4576
	50-100	Red cap including gasket	148B4075
	125-150	Red cap including gasket	148B4076