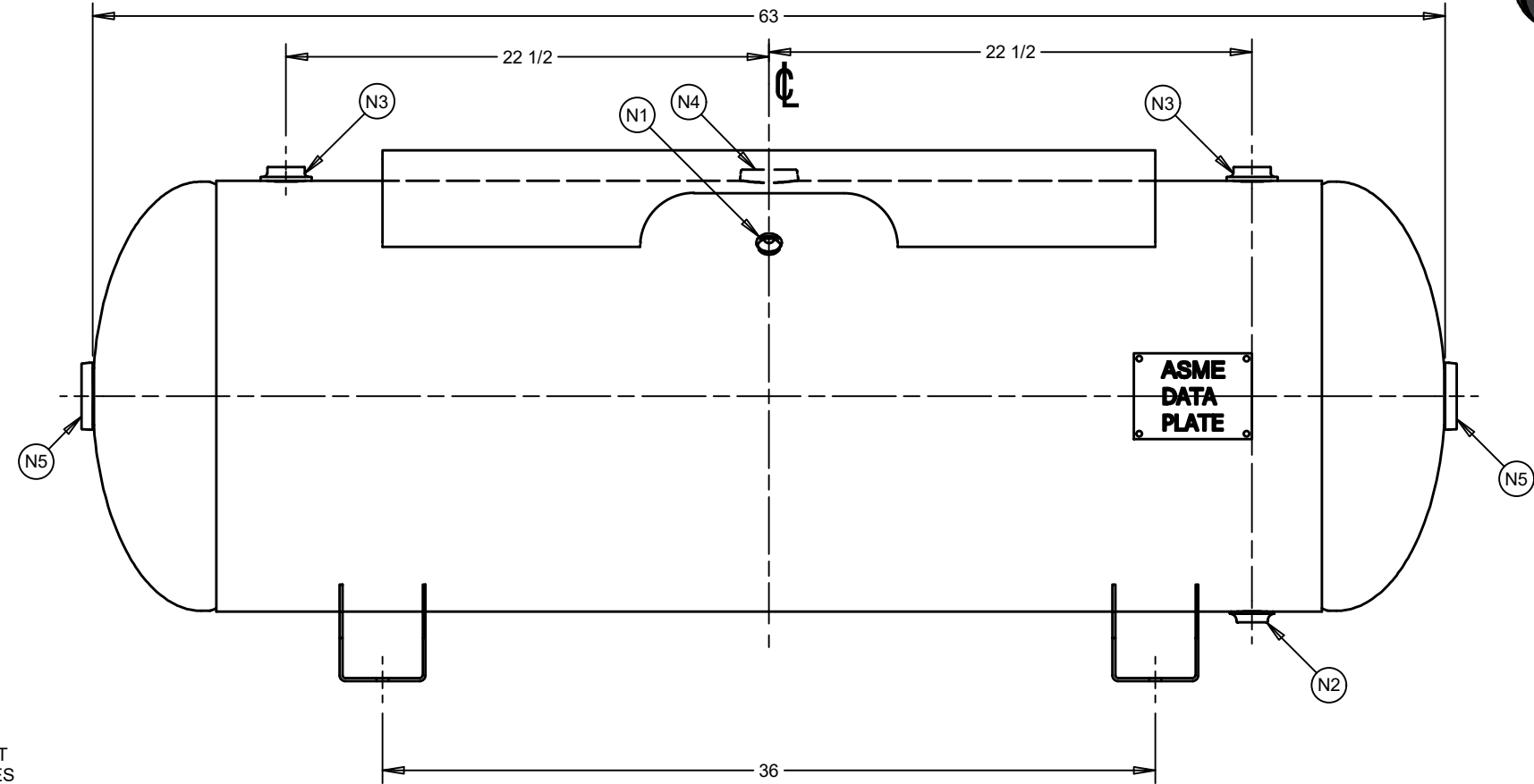
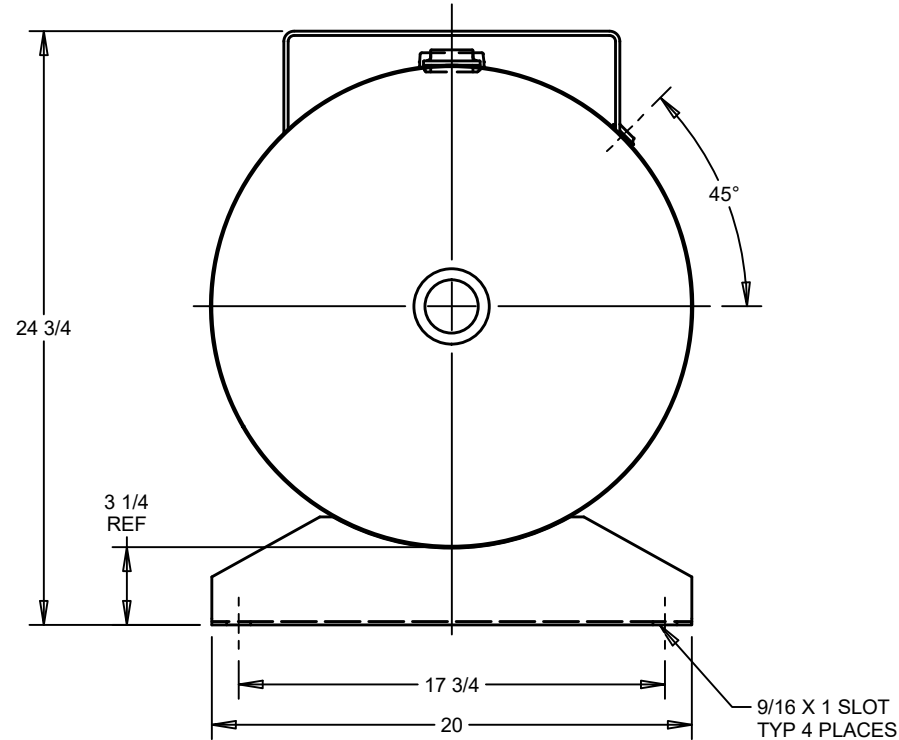
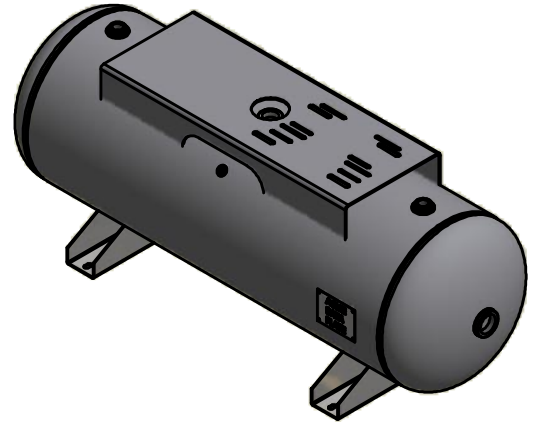


NOZZLE CHART	
NOZZLE ID	NPT SIZE
N1	1/4
N2	3/4
N3	1
N4	1 1/2
N5	2



DESIGN INFORMATION	
SPECIFICATION	VALUE
DIAMETER O.D./I.D.	20 O.D.
MAWP	200 PSI AT 450°F
MDMT	-20°F AT 200 PSI
CAPACITY	APPROX 80 GALLONS
SHIPPING WEIGHT	248 LBS
CRN	L4033.5C

TITLE HORIZONTAL AIR RECEIVER			
CUSTOMER STOCK			
DRAWN KAT	CHECKED DMM	DRAWING NO A10032	REV B14
TYPE ASME		SIZE: B SHEET 1 OF 1	

(BUILT IN ACCORDANCE WITH LATEST EDITION OF SECTION VIII DIV 1 ASME CODE)

THIS DRAWING & SPECIFICATIONS ARE PROPERTY OF SPVG AND MAY NOT BE COPIED, REPRODUCED, OR USED IN WHOLE OR PART, AS A BASIS FOR DESIGN MANUFACTURE OR SALE WITHOUT PRIOR PERMISSION FROM SPVG.

B14	ISSUED		
REV	DESCRIPTION	BY	DATE