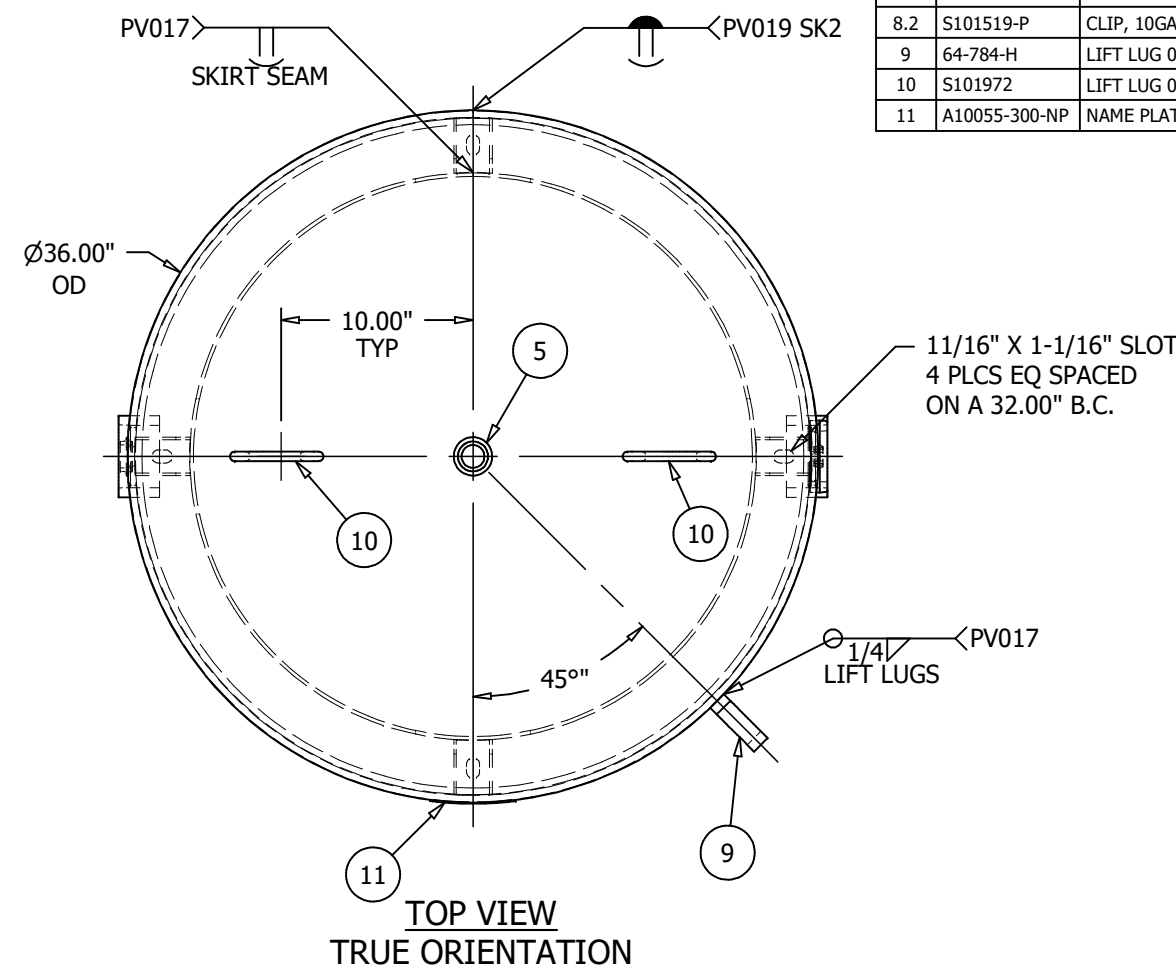
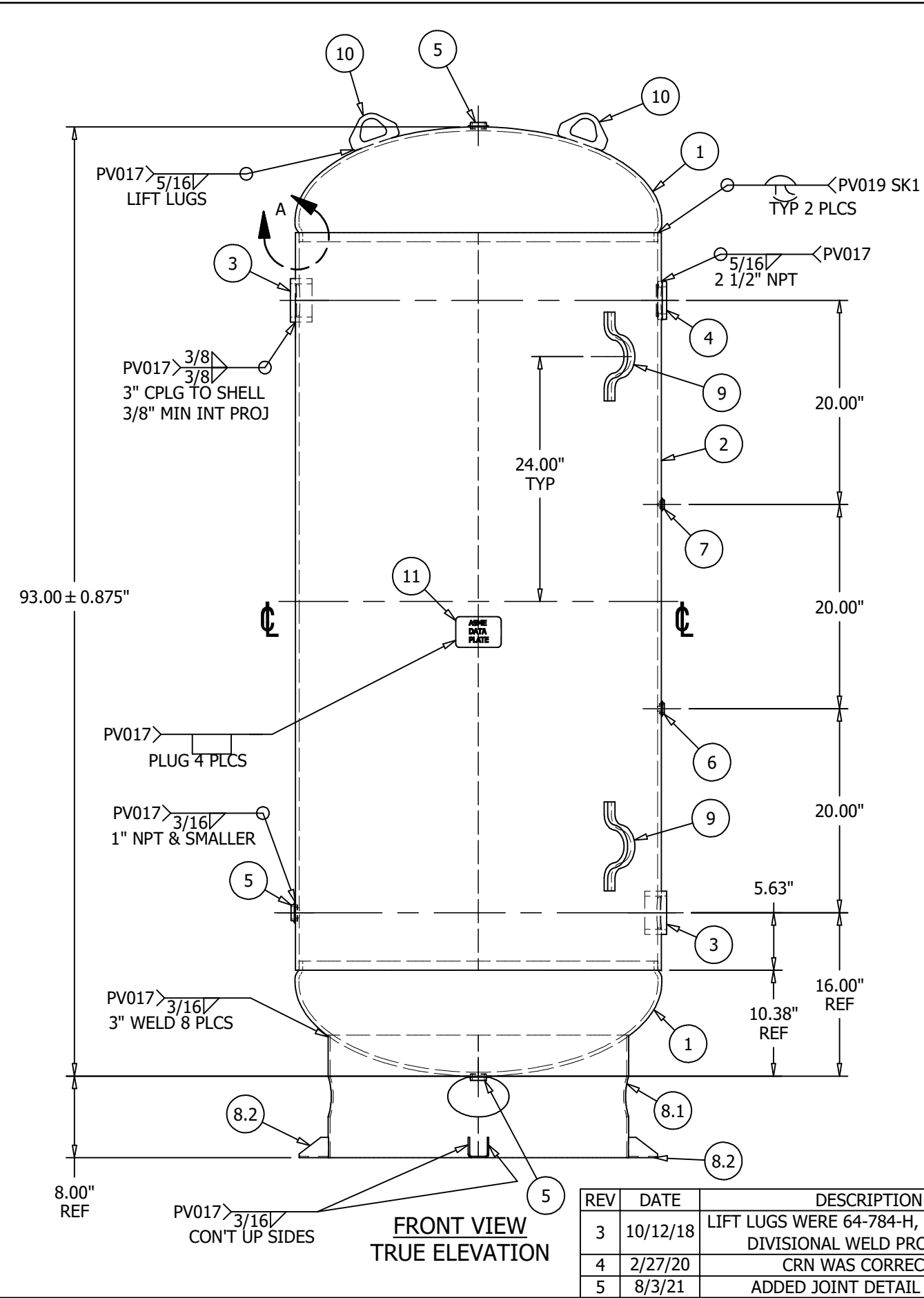


ITEM	P/N	DESCRIPTION	QTY
1	H36375J	HEAD 36.00 OD 0.353M/0.375N SA516-70 SE 2:1 JOG	2
2	A10055-300-SL	SHELL BURNT 0.375 CS SA455 72.25 X 36.00 OD	1
3	F603000H	CPLG 3.000 NPT SA105 ANSI B16.11 3000# HALF	2
4	F102501	WELD FLG 2.500 NPT CS SA181-70 RAD 709	1
5	F101000	WELD FLG 1.000 NPT CS SA181-70 FLAT 255	3
6	F100500	WELD FLG 0.500 NPT CS SA181-70 FLAT 253	1
7	F100250	WELD FLG 0.250 NPT CS SA181-70 FLAT 251	1
8	S102192	SKIRT ASY 29.50 O.D. A1011CS-B W/8.000 CLR, 32.50 BC FOR 36.00 TNK	1
8.1	S100065	SKIRT 7GA A1011CS-B 12.00 x 92.11 x 29.50 OD	1
8.2	S101519-P	CLIP, 10GA A1011CS-B 2.000 x 2.000 x 2.875 PURCHASED	4
9	64-784-H	LIFT LUG 0.500 A36 3.25 X 8.71 FOR 36-72" TANKS	2
10	S101972	LIFT LUG 0.500 SA105 3.000 X 4.875 PHOENIX 2-900-LUG (6800#)	2
11	A10055-300-NP	NAME PLATE FOR A10055-300 A1011CS-B	1



\*\*SHELL CUT SIZE IS REFERENCE ONLY  
 \*\*CPLG & FITTING 0.50 EXT PROJ TYP  
 \*\*HEAD THICKNESS SHOWN IS SPECIFIED MINIMUM  
 \*\*RADIUS INSIDE PROJECTED EDGES OF NOZZLES 1/8" MIN  
 \*\*SEE PAGE 2 FOR FINISH  
 \*\*FLANGE BOLT HOLES STRADDLE TANK C/L EXCEPT AS NOTED  
 \*\*ALL DIMS IN INCHES UNLESS NOTED OTHERWISE  
 \*\*IMPACT TEST EXEMPT PER UG 20(f)  
 36" X 93" 300# VERTICAL AIR RECEIVER  
 NOTES

TRAVELER REQUIRED <input checked="" type="checkbox"/>		FIXTURE REQUIRED <input type="checkbox"/>		IF YES THEN FIXTURE # _____
RELEASED TO PRODUCTION		TOLERANCES ARE PER EN1370 STEEL FAB STANDARD TOLERANCES UNLESS OTHERWISE SPECIFIED		DESIGN & CALCULATIONS COMPLY WITH ASME CODE SECTION VIII, DIV.1. LATEST EDITION
SALES ORDER#		QTY:		A10055 @ 300 PSI
RELEASE DATE:		NB/SERIAL#		
HEAD THK: .353" MIN C.A.: --- MAT'L SA516-70 EFF 85 %		MWP 300 PSI AT 400 °F		ENG. APP'L / DATE MH - 12/17/2015
SHELL THK: .375" NOM C.A.: --- MAT'L SA455 EFF 70 %		MDMT -20 °F AT 300 PSI		QCM. APP'L / DATE BW-12/17/2015
NAT'L BD: YES STAMP " U "		TEST: HYDRO AT 390 PSI		A.I. VERIFICATION / DATE BQ-12/17/2015
VOLUME: 400 APPROX GAL		TEST: PNEU AT PSI		STEEL FAB
SHIPPING WEIGHT: 1295 LBS		CRN: L0508.1N5		BURLINGTON, ONT
DRAWN BY: IDV/AO P/N		DATE: 11/9/2015		LEBANON, VA
A10055-300		PAGE 1 OF 2		REV. 5

REV	DATE	DESCRIPTION	ENG	QCM	AI/DATE
3	10/12/18	LIFT LUGS WERE 64-784-H, UPDATED TO DIVISIONAL WELD PROCEDURE	MG	BW	BQ 10/15/18
4	2/27/20	CRN WAS CORRECTED	MG	PE	BQ 2/28/20
5	8/3/21	ADDED JOINT DETAIL SKETCH	RM	N/A	

## FINISH SPECIFICATION

ALL TANKS REQUIRE:  
 INTERIOR AND EXTERIOR TO BE FREE OF WELD  
 SPATTER, DRY INTERIOR AFTER HYDROTEST, VACUUM  
 INTERIOR FREE OF LOOSE PARTICLES

### PRE-ASSEMBLY SURFACE PREP:

### POST-ASSEMBLY SURFACE PREP:

### EXTERIOR FINISH:

POWDER PAINT STANDARD GRAY PRIMER (PL216QF)

### INTERIOR FINISH:

**\*\* DO NOT PAINT SEALING SURFACES OF FLANGES \*\***  
**\*\* DO NOT PAINT STAINLESS STEEL NAMEPLATES \*\***

### ADDITIONAL NOTES:

### OUTSIDE SERVICE VERIFICATION

WHEN PRODUCT IS SHIPPED DIRECT TO CUSTOMER FROM VENDOR,  
 OUTSIDE VENDOR SHALL SIGN OFF INDICATING ACCEPTANCE OF  
 ALL CRITERIA ON FINISH SPECIFICATIONS. FINISH SPECIFICATIONS  
 SHALL BE SIGNED BY VENDOR & RETURNED TO STEEL FAB AFTER  
 JOB IS COMPLETE.

SIGNED \_\_\_\_\_ DATE \_\_\_\_\_

## SHIPPING AND PACKAGING

### GENERAL NOTES

PLUG ALL UNPLUGGED OPENINGS WITH PLASTIC PLUGS AFTER PAINTING  
 BUILD SKID SO THAT TANK DOES NOT EXTEND BEYOND EDGES OF SKID  
 USE FOAM UNDER BANDS

REFER TO SHOP ORDER - SHIPPING WORK GUIDELINES, FOR ADDITIONAL  
 INSTRUCTIONS (IF APPLICABLE)

### PACKAGING MATERIALS

REFER TO PALLET DRAWING \_\_\_\_\_

PALLET SIZE \_\_\_ X \_\_\_ COLOR CODE: \_\_\_\_\_

STACK PER PALLET DRAWING USING CARDBOARD, BANDS, FOAM, AND  
 SHRINK WRAP AS APPLICABLE

### ADDITIONAL SHIPPING INSTRUCTIONS

## DOCUMENTATION

## WELD JOINT DETAILS

DESIGN & CALCULATIONS COMPLY WITH  
 ASME CODE SECTION VIII, DIV1.  
 LATEST EDITION

A10055 @ 300 PSI	ENG. APPL / DATE MH - 12/17/2015
	QCM. APPL / DATE BW-12/17/2015
	A.I. VERIFICATION / DATE BQ-12/17/2015

STEEL FAB

BURLINGTON, ONT. LEBANON, VA

DRAWN BY: IDV/AO	P/N	A10055-300	PAGE	REV.
DATE: 11/9/2015			2 OF 2	5