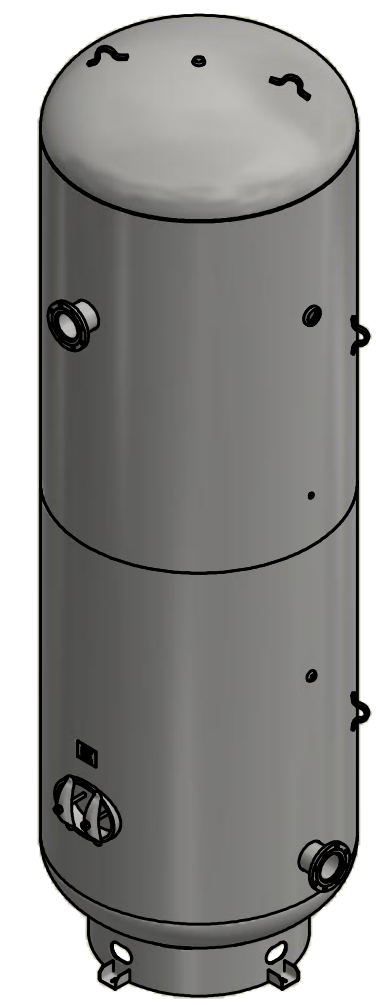
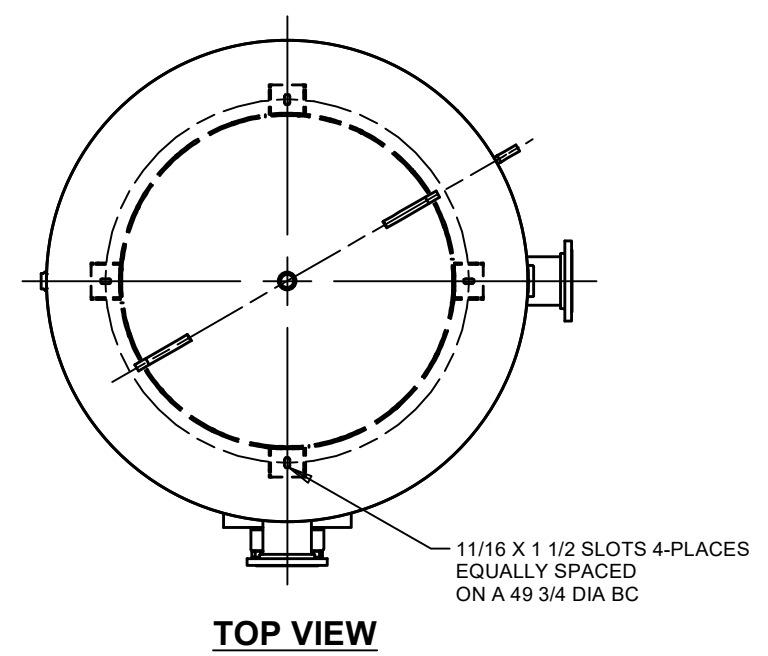
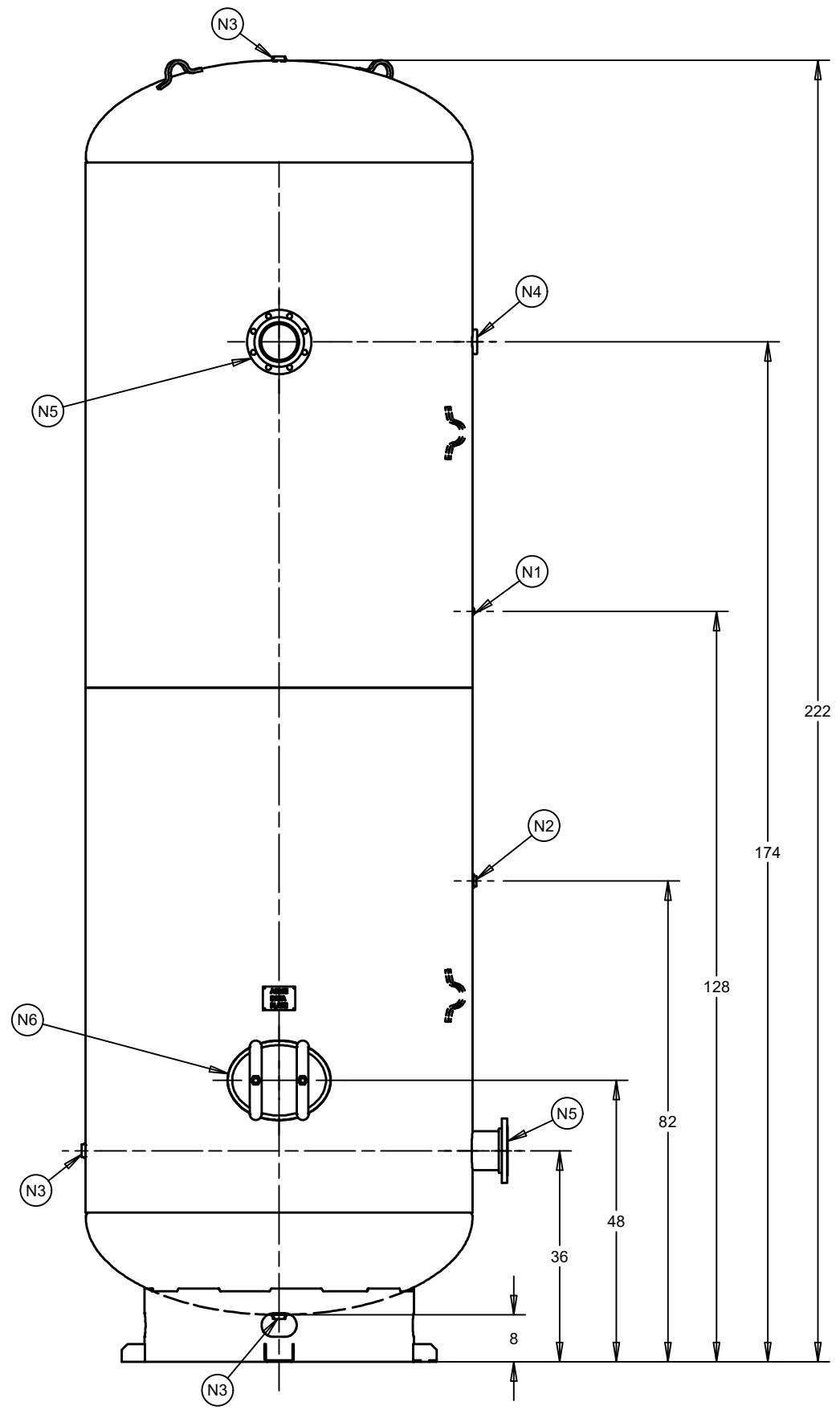


NOZZLE CHART	
NOZZLE ID	NPT SIZE
N1	1/4
N2	1
N3	1 1/4
N4	3
N5	6
N6	MANWAY



DESIGN INFORMATION	
SPECIFICATION	VALUE
DIAMETER O.D./I.D.	66 O.D.
MAWP	137 PSI AT 400°F
MDMT	-20°F AT 137 PSI
CAPACITY	APPROX 3000 GALLONS
SHIPPING WEIGHT	4703 LBS
CRN	L4319.561234T

TITLE <b>VERTICAL AIR RECEIVER</b>					
CUSTOMER <b>STOCK</b>					
TYPE <b>ASME</b>		DATE <b>9/17/2016</b>	DATE <b>10/10/2016</b>	SIZE: B SHEET 1 OF 1	

REV	DESCRIPTION	BY	DATE
D21	ISSUED		

(BUILT IN ACCORDANCE WITH LATEST EDITION OF SECTION VIII DIV 1 ASME CODE)

THIS DRAWING & SPECIFICATIONS ARE PROPERTY OF SPVG AND MAY NOT BE COPIED, REPRODUCED, OR USED IN WHOLE OR PART, AS A BASIS FOR DESIGN MANUFACTURE OR SALE WITHOUT PRIOR PERMISSION FROM SPVG.