

Data Sheet

Shut-off valve
Type **SVA-S SS** and **SVA-L SS**

Designed for highly demanding production environments,
where corrosion is a risk



In certain specific areas such as outdoor applications and corrosive atmospheres, such as coastal installations, there is a need for high surface protection to prevent failure due to corrosion.

Today's food safety standards often call for daily treatment with detergents to protect against bacteria growth, again producing a need for high surface protection.

SVA-S/L SS are angleway and straightway stainless steel shut-off valves, which are designed to meet all industrial refrigeration application requirements.

The valves are designed to give favourable flow characteristics and are easy to dismantle and repair when necessary. The valve cone is designed to ensure perfect closing.

Features

- Applicable to HCFC, HFC, R717 (Ammonia), R744 (CO₂) and all flammable refrigerants
- Optional accessories:
 - Heavy duty industrial hand wheel for frequent operation
 - Cap for infrequent operation
- Available in angleway and straightway versions with Standard neck or Long neck (DN 15 to DN 40) for insulated systems
- Designed to give favourable flow conditions
- Internal backseating enables replacement of the spindle seal whilst the valve is active, i.e. under pressure
- Housing is made of stainless steel approved for low temperature operations
- Easy to disassemble for inspection and service
- SVA-S/L SS shut-off valves can accept flow in either direction
- Butt-weld DIN and ANSI connections
- Maximum allowable working pressure and temperature range:
 - DN 15-65: 52 bar (754 psi) at -60 °C/+50 °C (-76 °F/+122 °F)
 - DN 80-125: 50 bar (725 psi) at -60 °C/+50 °C (-76 °F/+122 °F) For SVA-S/L SS see the relation between PS and temperature in the curve on page 2
- Temperature range: -60 °C/+150 °C (-76 °F +302 °F)
- Compact and light valves for easy handling and installation
- Classification: DNV, CRN, BV, EAC etc. To get an updated list of certification on the products please contact your local Danfoss Sales Company

Media

Refrigerants

Applicable to HCFC, HFC, R717 (Ammonia), R744 (CO₂) and all flammable refrigerants. For further information please contact your local Danfoss Sales Company.

New refrigerants

Danfoss products are continually evaluated for use with new refrigerants depending on market requirements.

When a refrigerant is approved for use by Danfoss, it is added to the relevant portfolio, and the R number of the refrigerant (e.g. R513A) will be added to the technical data of the code number. Therefore, products for specific refrigerants are best checked at store.danfoss.com/en/, or by contacting your local Danfoss representative.

Product specification

Pressure and temperature data

Figure 1: Pressure and temperature range

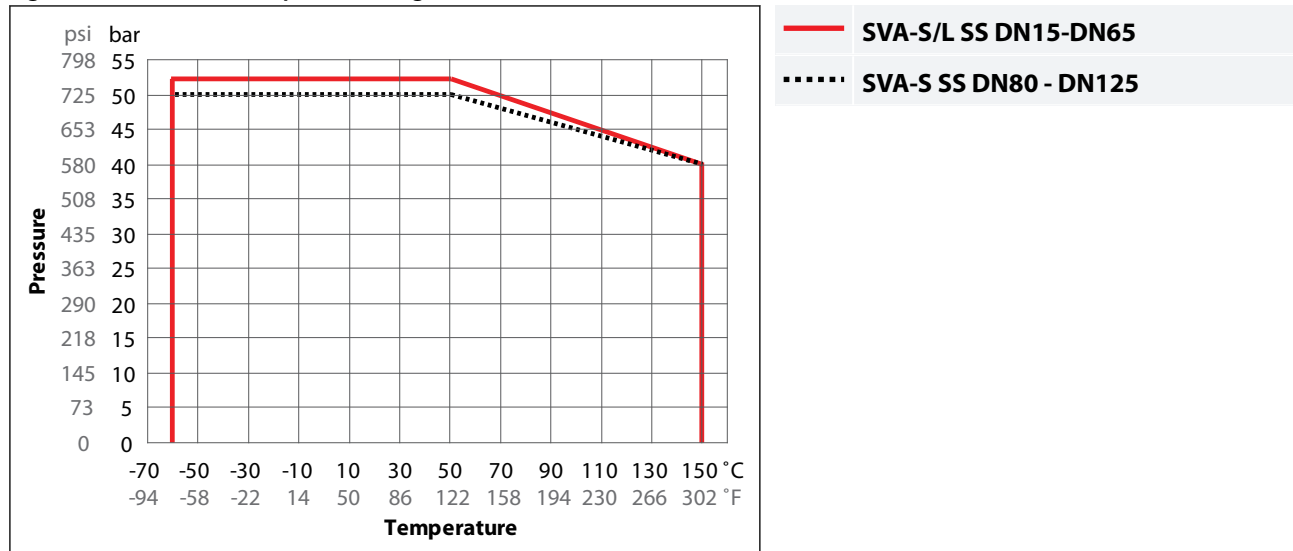


Table 1: Pressure and temperature range

| Description | Values |
|-------------------|--|
| Temperature Range | -60 °C /+150 °C (-76 °F /+302 °F) |
| Pressure range | The valves are designed for max. working pressure 52 barg (754 psig) |

Design

Housing

Made of stainless steel approved for low temperature operations.

Valve cone

The valve cone can be turned on the spindle, thus there will be no friction between the cone and the seat, when the valve is opened and closed. A teflon tightening ring provides perfect sealing at a minimum closing momentum.

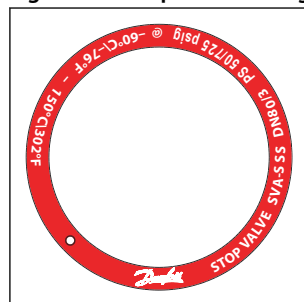
Spindle

Made of polished stainless steel, ideal for O-ring sealing. Furthermore, parts of the spindle are heat treated to obtain anti-abrasive/adhesive properties.

Packing gland

The stainless steel packing gland comprises a spring loaded seal packing gland which ensures a perfect tightness in the range: -60 °C/+150 °C (-76 °F/+302 °F). The packing glands are equipped with a scraper ring to prevent penetration of dirt and ice into the packing gland.

Figure 2: Example of Marking Ring



Installation

It is recommended that the valves be installed in the direction of flow indicated by the arrow on the valve body. The valve can be installed in the opposite direction but this slightly reduces the k_v -value (C_v -value).

The valve is designed to withstand high internal pressure. However, the piping system in general should be designed to avoid liquid traps and reduce the risk of hydraulic pressure caused by thermal expansion.

For further information refer to installation guide for SVA-S/L SS.

Connections

Available with the following connections:

- Butt-weld DIN (EN 10220)
 - DN 15 - 125 (½ - 5 in.)
- Butt-weld ANSI (B 36.19M)
 - DN 15 - 100 (½ - 4 in.)

Figure 3: DIN

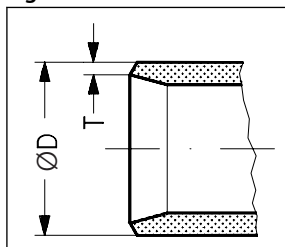


Figure 4: ANSI

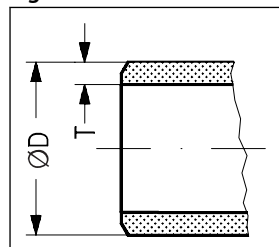


Table 2: Butt-weld DIN (EN 10220)

| Size | | ØD | T |
|------|-----|-------|-------|
| 15 | mm | 21.3 | 2.3 |
| ½ | in. | 0.839 | 0.091 |
| 20 | mm | 26.9 | 2.3 |
| ¾ | in. | 1.059 | 0.091 |
| 25 | mm | 33.7 | 2.6 |
| 1 | in. | 1.327 | 0.103 |
| 32 | mm | 42.4 | 2.6 |
| 1¼ | in. | 1.669 | 0.102 |
| 40 | mm | 48.3 | 2.6 |
| 1½ | in. | 1.902 | 0.103 |
| 50 | mm | 60.3 | 2.9 |
| 2 | in. | 2.37 | 0.11 |
| 65 | mm | 76.1 | 2.9 |
| 2½ | in. | 3 | 0.11 |
| 80 | mm | 88.9 | 3.2 |
| 3 | in. | 3.5 | 0.13 |
| 100 | mm | 114.3 | 3.6 |
| 4 | in. | 4.5 | 0.14 |
| 125 | mm | 139.7 | 4 |
| 5 | in. | 5.5 | 0.16 |

Table 3: Butt-weld ANSI (B 36.19M, SCHEDULE 40)

| Size | | ØD | T |
|------|-----|-------|------|
| 15 | mm | 21.3 | 2.8 |
| ½ | in. | 0.839 | 0.11 |
| 20 | mm | 26.9 | 2.9 |
| ¾ | in. | 1.06 | 0.11 |
| 25 | mm | 33.7 | 3.5 |
| 1 | in. | 1.33 | 0.14 |
| 32 | mm | 42.4 | 3.6 |

Shut-off valve, Type SVA-S SS and SVA-L SS

| Size | | ØD | T |
|------|-----|------|------|
| 1¼ | in. | 1.67 | 0.14 |
| 40 | mm | 48.3 | 3.7 |
| 1½ | in. | 1.9 | 0.15 |

Table 4: Butt-weld ANSI (B 36.19M, SCHEDULE 10)

| Size | | ØD | T |
|------|-----|-------|------|
| 50 | mm | 60.3 | 2.8 |
| 2 | in. | 2.37 | 0.11 |
| 65 | mm | 73 | 3.1 |
| 2½ | in. | 2.87 | 0.12 |
| 80 | mm | 88.9 | 3.1 |
| 3 | in. | 3.5 | 0.12 |
| 100 | mm | 114.3 | 3.1 |
| 4 | in. | 4.5 | 0.12 |

Material specification

SVA-S SS 15-40 (½ - 1½ in.)

Figure 5: SVA-S SS 15-40 (½ - 1½ in.)

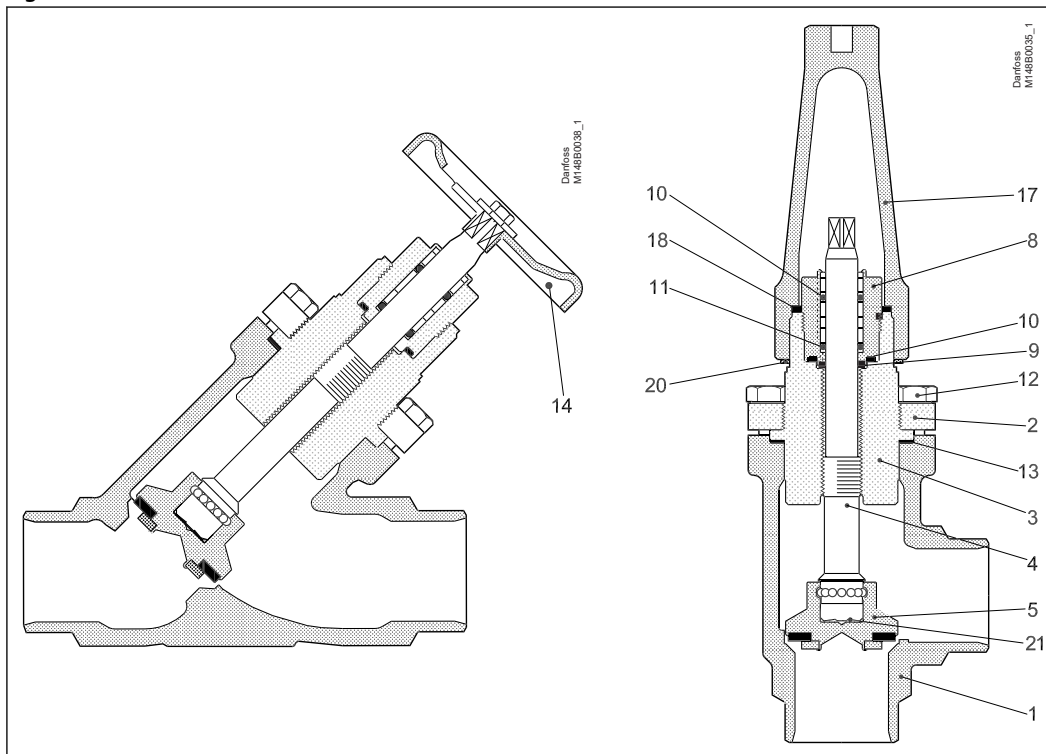


Table 5: SVA-S SS 15-40 (½ - 1½ in.)

| No. | Part | Material | EN | ISO | ASTM |
|-----|----------------|-----------------------|--------------------------|-------------------|----------|
| 1 | Housing | Stainless steel | GX5CrNi19-1 EN10213-4 | | AISI 304 |
| 2 | Bonnet, Flange | Stainless steel | X5CrNi18-10 EN10088 | | AISI 304 |
| 3 | Bonnet, Insert | Stainless steel | X8CrNi18-9 DIN 17440 | | AISI 303 |
| 4 | Spindle | Stainless steel | X8CrNi18-9 DIN 17440 | Type 17 683/13 | AISI 303 |
| 5 | Cone | Steel | | | |
| 8 | Packing gland | Stainless steel | X8CrNi18-9 10088 | Type 17 683/13 | AISI 303 |
| 9 | Packing washer | Aluminium | | | |
| 10 | O-ring | Cloroprene (Neoprene) | | | |

Shut-off valve, Type SVA-S SS and SVA-L SS

| No. | Part | Material | EN | ISO | ASTM |
|-----|---------------------------|---------------------|-------|-------|----------|
| 11 | Spring loaded Teflon ring | PTFE | | | |
| 12 | Bolts | Stainless steel | A2-70 | A2-70 | Type 308 |
| 13 | Gasket | Fiber, Non-asbestos | | | |
| 14 | Handwheel | Steel | | | |
| 17 | Cap | Aluminium | | | |
| 18 | Gasket for cap | Nylon | | | |
| 20 | Identification ring | Stainless steel | | | |
| 21 | Disk spring | Steel | | | |

SVA-L SS 15 - 40 (½ - 1½ in.)

Figure 6: SVA-L SS 15 - 40 (½ - 1½ in.)

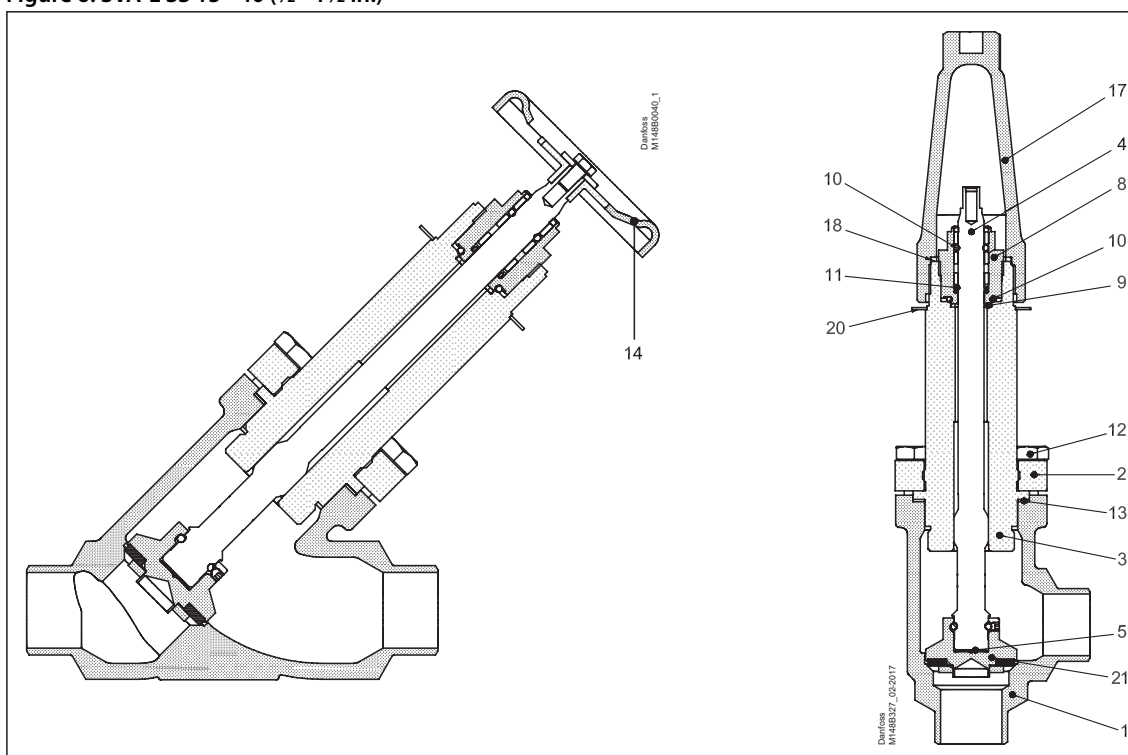


Table 6: SVA-L SS 15 - 40 (½ - 1½ in.)

| No. | Part | Material | EN | ISO | ASTM |
|-----|---------------------------|-----------------------|---------------------------|-------------------|----------|
| 1 | Housing | Stainless steel | GX5CrNi19-10 EN10213-4 | | AISI 304 |
| 2 | Bonnet, Flange | Stainless steel | X5CrNi18-10 EN10088 | | AISI 304 |
| 3 | Bonnet, Insert | Stainless steel | X8CrNiS18-9 DIN 17440 | | AISI 303 |
| 4 | Spindle | Stainless steel | X8CrNiS18-9 DIN 17440 | Type 17 683/13 | AISI 303 |
| 5 | Cone | Steel | | | |
| 8 | Packing gland | Stainless steel | X8CrNiS18-9 10088 | Type 17 683/13 | AISI 303 |
| 9 | Packing washer | Aluminium | | | |
| 10 | O-ring | Cloroprene (Neoprene) | | | |
| 11 | Spring loaded Teflon ring | PTFE | | | |
| 12 | Bolts | Stainless steel | A2-70 | A2-70 | Type 308 |
| 13 | Gasket | Fiber, Non-asbestos | | | |
| 14 | Handwheel | Steel | | | |
| 17 | Cap | Aluminium | | | |

Shut-off valve, Type SVA-S SS and SVA-L SS

| No. | Part | Material | EN | ISO | ASTM |
|-----|---------------------|-----------------|----|-----|------|
| 18 | Gasket for cap | Nylon | | | |
| 20 | Identification ring | Stainless steel | | | |
| 21 | Disk spring | Steel | | | |

SVA-S SS 50-65 (2 - 2½ in.)

Figure 7: SVA-S SS 50-65 (2 - 2½ in.)

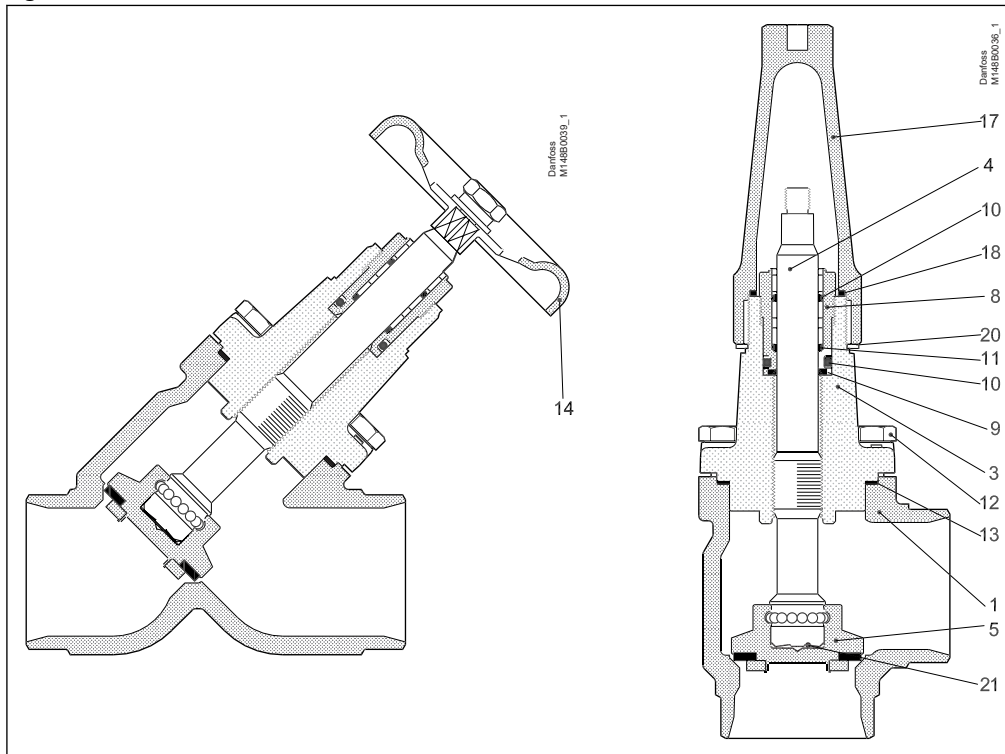


Table 7: SVA-S SS 50-65 (2 - 2½ in.)

| No. | Part | Material | EN | ISO | ASTM |
|-----|---------------------------|-----------------------|---------------------------|-------------------|----------|
| 1 | Housing | Stainless steel | GX5CrNi19-10 EN10213-4 | | AISI 304 |
| 3 | Valve bonnet | Stainless steel | GX5CrNi19-10 EN10213-4 | | AISI 304 |
| 4 | Spindle | Stainless steel | X8CrNiS18-9 DIN 17440 | Type 17 683/13 | AISI 303 |
| 5 | Cone | Steel | | | |
| 8 | Packing gland | Stainless steel | X8CrNiS18-9 10088 | Type 17 683/13 | AISI 303 |
| 9 | Packing washer | Aluminium | | | |
| 10 | O-ring | Cloroprene (Neoprene) | | | |
| 11 | Spring loaded Teflon ring | PTFE | | | |
| 12 | Bolts | Stainless steel | A2-70 | A2-70 | Type 308 |
| 13 | Gasket | Fiber, Non-asbestos | | | |
| 14 | Handwheel | Steel | | | |
| 17 | Cap | Aluminium | | | |
| 18 | Gasket for cap | Nylon | | | |
| 19 | Locking nut | Steel | | | |
| 20 | Identification ring | Stainless steel | | | |
| 21 | Disk spring | Steel | | | |

SVA-S SS 80 - 125 (3 - 5 in.)

Figure 8: SVA-S SS 80 - 125 (3 - 5 in.)

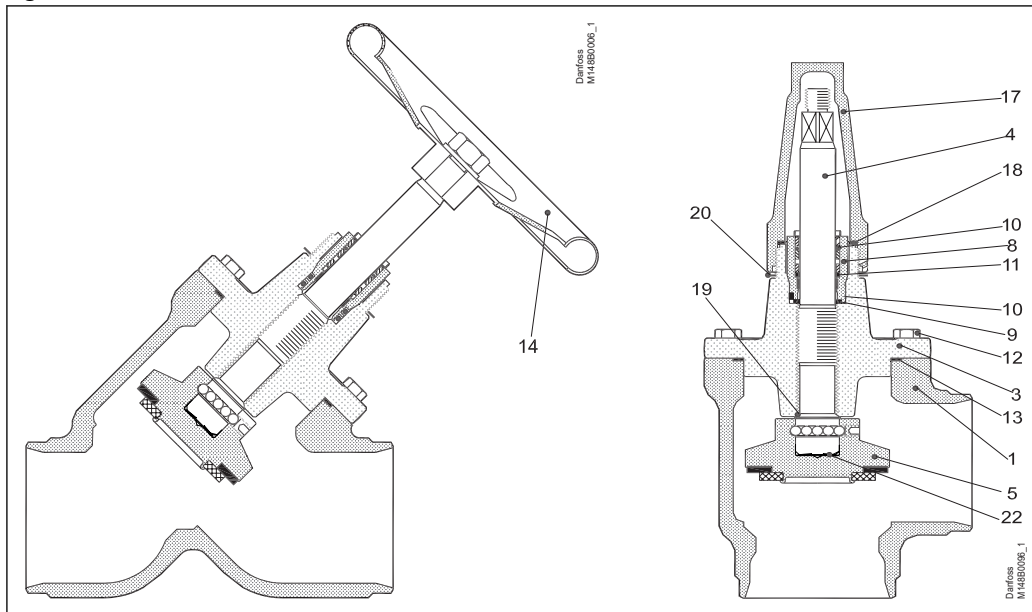


Table 8: SVA-S SS 80 - 125 (3 - 5 in.)

| No. | Part | Material | EN | ISO | ASTM |
|-----|---------------------------|-----------------------|-------------------------------|---------------------|----------|
| 1 | Housing | Stainless steel | GX5CrNi19-10 EN10213-4 | | AISI 304 |
| 3 | Valve bonnet | Stainless steel | GX5CrNiMo19-11-2 EN10213-4 | | AISI 304 |
| 4 | Spindle | Stainless steel | X5CrNi18-10 DIN 17440 | Type 17 683/13 | AISI 303 |
| 5 | Cone Cone seal | Steel Teflon (PTFE) | | | |
| 8 | Packing gland | Stainless steel | | Type 17 R 683/13 | AISI 303 |
| 9 | Packing washer | Aluminium | | | |
| 10 | O-ring | Cloroprene (Neoprene) | | | |
| 11 | Spring loaded Teflon ring | PTFE | | | |
| 12 | Bolts | Stainless steel | A2-70 | A2-70 | Type 308 |
| 13 | Gasket | Fiber, Non-asbestos | | | |
| 14 | Hand wheel | Steel | | | |
| 17 | Cap | Aluminium | | | |
| 18 | Gasket for cap | Nylon (PA 6) | | | |
| 19 | Soft backseat | Teflon (PTFE) | | | |
| 20 | Identification ring | Stainless steel | | | |
| 22 | Disk spring | Steel | | | |

Dimensions and weight

SVA S SS 15 - 40 (½ - 1½ in.) in angleway version with cap / hand wheel

Figure 9: SVA S SS 15 - 40 (½ - 1½ in.) in angleway version with cap / hand wheel

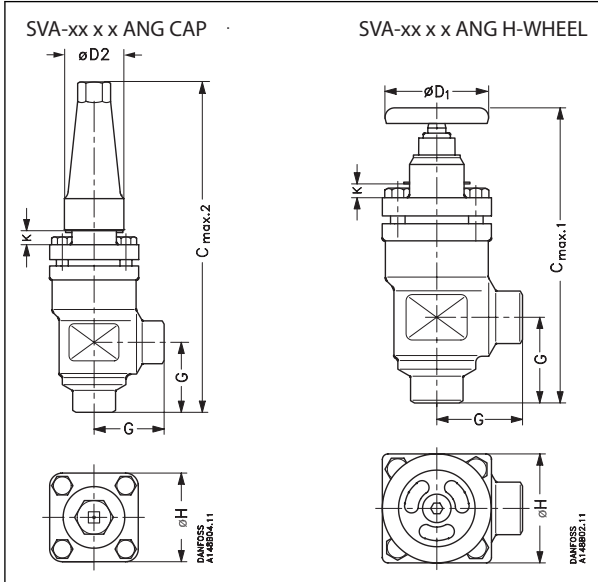


Table 9: SVA S SS 15 - 40 (½ - 1½ in.)

| Valve size | | K | C _{max.1} | C _{max.2} | G | ØD ₁ | ØD ₂ | ØH | Weight |
|-----------------|-----|------|--------------------|--------------------|------|-----------------|-----------------|------|---------|
| SVA-S SS 15-20 | mm | 4 | 178 | 189 | 45 | 60 | 38 | 60 | 1.4 kg |
| SVA-S SS ½ - ¾" | in. | 0.16 | 7 | 7.44 | 1.77 | 2.36 | 1.5 | 2.36 | 3.1 lbs |
| SVA-S SS 25-40 | mm | 12 | 234 | 268 | 55 | 80 | 50 | 70 | 2.4 kg |
| SVA-S SS 1 - 1" | in. | 0.47 | 9.21 | 10.55 | 2.17 | 3.15 | 1.97 | 2.76 | 5.3 lbs |

NOTE:

Specified weights are approximate values only.

SVA-S/L SS 15 - 40 (½ - 1½ in.) straightway version with cap / hand wheel

Figure 10: SVA-S/L SS 15 - 40 (½ - 1½ in.) straightway version with cap / hand wheel

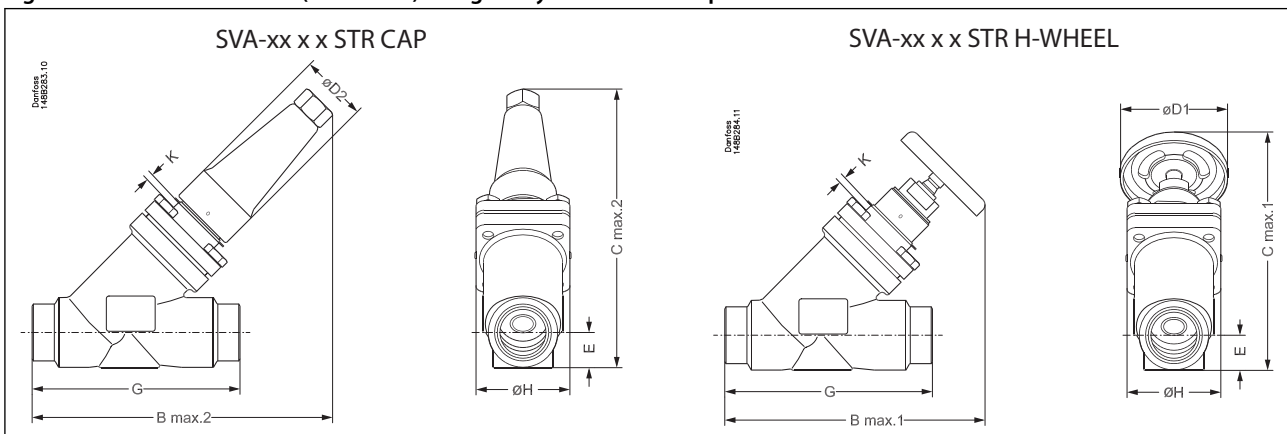


Table 10: SVA-S SS 15 - 40 (½ - 1½ in.)

| Valve size | | K | C _{max.1} | C _{max.2} | B _{max.1} | B _{max.2} | E | G | ØD ₁ | ØD ₂ | ØH | Weight |
|-------------------|-----|------|--------------------|--------------------|--------------------|--------------------|------|------|-----------------|-----------------|------|--------|
| SVA-S SS 15-20 | mm | 4 | 146 | 141 | 160 | 156 | 20 | 120 | 60 | 38 | 60 | 2.0 kg |
| SVA-S SS ½ - ¾" | in. | 0.16 | 5.74 | 5.55 | 6.3 | 6.14 | 0.79 | 4.72 | 2.36 | 1.5 | 2.36 | 4.4 lb |
| SVA-S SS 25-40 | mm | 12 | 199 | 208 | 212 | 222 | 26 | 155 | 80 | 50 | 70 | 3.0 kg |
| SVA-S SS (1 - 1½) | in. | 0.47 | 7.83 | 8.19 | 8.35 | 8.74 | 1.02 | 6.1 | 3.15 | 1.97 | 2.76 | 6.6 lb |

Shut-off valve, Type SVA-S SS and SVA-L SS

NOTE:

Specified weights are approximate values only.

Table 11: SVA-L SS 15 - 40 (½ - 1½ in.)

| Valve size | | K | C _{max.1} | C _{max.2} | B _{max.1} | B _{max.2} | E | G | ØD ₁ | ØD ₂ | ØH | Weight |
|--------------------------|------------|------|--------------------|--------------------|--------------------|--------------------|------|------|-----------------|-----------------|------|--------|
| SVA-L SS 15 - 20 | mm | 63 | 188 | 184 | 202 | 198 | 20 | 120 | 60 | 38 | 60 | 2.0 kg |
| SVA-L SS (½ - ¾) | in. | 2.48 | 7.4 | 7.24 | 7.95 | 7.8 | 0.79 | 4.72 | 2.36 | 1.5 | 2.36 | 4.4 lb |
| SVA-L SS 25 - 40 | mm | 74 | 243 | 252 | 256 | 265 | 26 | 155 | 80 | 50 | 70 | 3.0 kg |
| SVA-L SS (1 - 1½) | in. | 2.91 | 9.57 | 9.92 | 10.08 | 10.43 | 1.02 | 6.1 | 3.15 | 1.97 | 2.76 | 6.6 lb |

NOTE:

Specified weights are approximate values only.

SVA-S SS 50 - 65 (2 - 2½ in.) in angleway version with cap / hand wheel

Figure 11: SVA-S SS 50 - 65 (2 - 2½ in.) in angleway version with cap / hand wheel

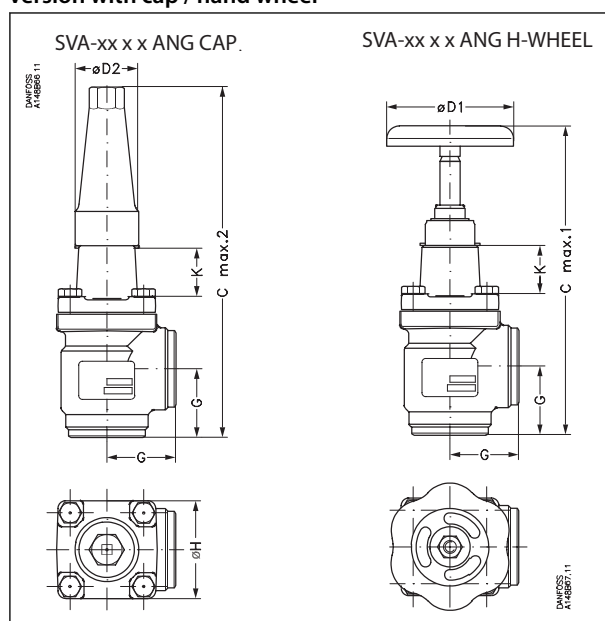


Table 12: SVA-S SS 50 - 65 (2 - 2½ in.)

| Valve size | | K | C _{max.1} | C _{max.2} | G | ØD ₁ | ØD ₂ | ØH | Weight |
|----------------------|------------|------|--------------------|--------------------|------|-----------------|-----------------|------|---------|
| SVA-S SS 50 | mm | 70 | 284 | 315 | 60 | 100 | 50 | 77 | 3.2 kg |
| SVA-S SS (2) | in. | 2.76 | 11.18 | 12.4 | 2.36 | 3.94 | 1.97 | 3.03 | 7.1 lb |
| SVA-S SS 65 | mm | 70 | 310 | 335 | 70 | 100 | 50 | 90 | 4.8 kg |
| SVA-S SS (2½) | in. | 2.76 | 12.2 | 13.19 | 2.76 | 3.94 | 1.97 | 3.54 | 10.6 lb |

NOTE:

Specified weights are approximate values only.

SVA-S SS 50 - 65 (2 - 2½ in.) in straightway version with cap / hand wheel

Figure 12: SVA-S SS 50 - 65 (2 - 2½ in.) in straightway version with cap / hand wheel

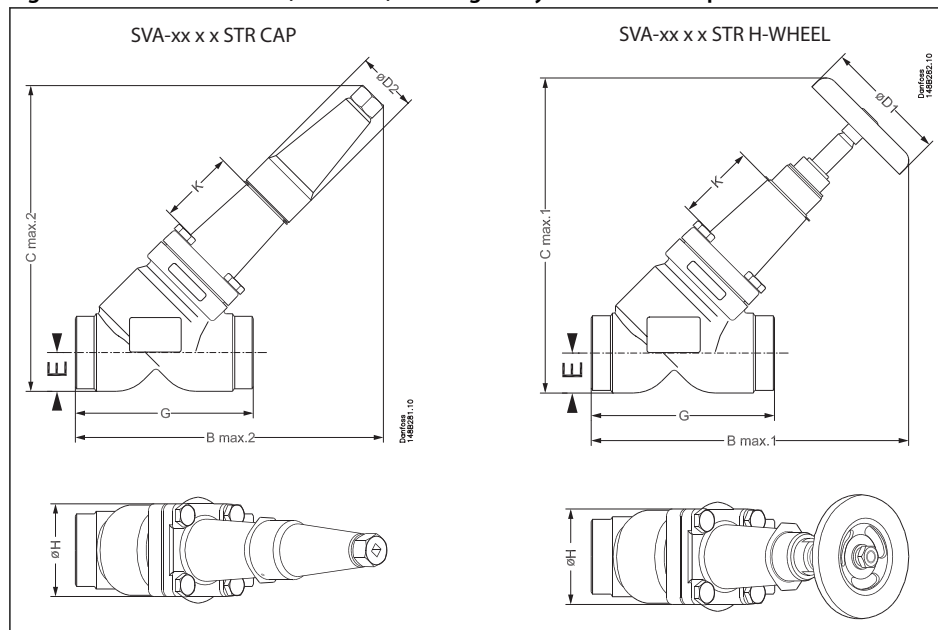


Table 13: SVA-S SS 50 - 65 (2 - 2½ in.)

| Valve size | | K | B _{max.1} | B _{max.2} | C _{max.1} | C _{max.2} | E | G | ØD ₁ | ØD ₂ | ØH | Weight |
|----------------------|------------|------|--------------------|--------------------|--------------------|--------------------|------|------|-----------------|-----------------|------|---------|
| SVA-S SS 50 | mm | 70 | 259 | 259 | 257 | 257 | 32 | 148 | 100 | 50 | 77 | 4.2 kg |
| SVA-S SS (2) | in. | 2.76 | 10.2 | 10.2 | 10.12 | 10.12 | 1.26 | 5.83 | 3.94 | 1.97 | 3.03 | 9.3 lb |
| SVA-S SS 65 | mm | 70 | 284 | 280 | 284 | 280 | 40 | 176 | 100 | 50 | 90 | 6.3 kg |
| SVA-S SS (2½) | in. | 2.76 | 11.18 | 11.02 | 11.18 | 11.02 | 1.57 | 6.93 | 3.94 | 1.97 | 3.54 | 13.9 lb |

NOTE:

Specified weights are approximate values only.

SVA-S SS 80 - 125 (3 - 5 in.) angleway version with cap / hand wheel

Figure 13: SVA-S SS 80 - 125 (3 - 5 in.) angleway version with cap / hand wheel

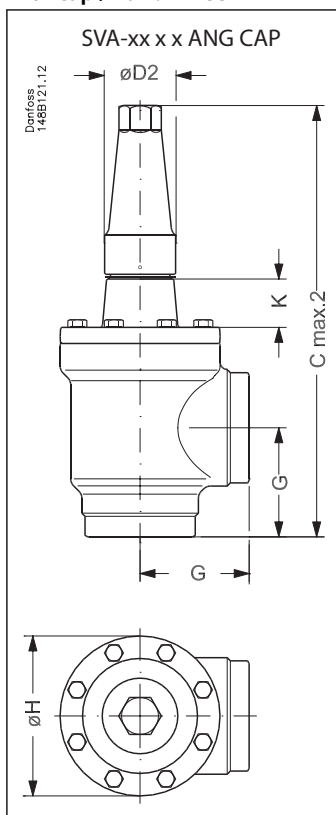


Table 14: SVA-S SS 80 - 125 (3 - 5 in.)

| Valve size | | K | C _{max.2} | G | ØD ₁ | ØD ₂ | ØH | Weight |
|--------------|-----|------|--------------------|------|-----------------|-----------------|------|---------|
| SVA-S SS 80 | mm | 76 | 388 | 90 | 200 | 58 | 129 | 9.7 kg |
| SVA-S SS (3) | in. | 3 | 15.28 | 3.54 | 7.87 | 2.28 | 5.08 | 21.4 lb |
| SVA-S SS 100 | mm | 90 | 437 | 106 | 250 | 58 | 156 | 15.3 kg |
| SVA-S SS (4) | in. | 3.54 | 17.2 | 4.17 | 9.84 | 2.28 | 6.14 | 33.7 lb |
| SVA-S SS 125 | mm | 90 | 533 | 128 | 315 | 74 | 193 | 28.1 kg |
| SVA-S SS (5) | in. | 3.54 | 20.98 | 5.04 | 12.4 | 2.91 | 7.6 | 61.9 lb |

NOTE:

Specified weights are approximate values only.

Ordering

Please note that the type codes only serve to identify the valves, some of which may not form part of the standard product range. For further information please contact your local Danfoss Sales Company.

Table 15: Type codes

| Valve type | SVA-S/L SS | Shut-off valve | Available connections | |
|---|------------|----------------|-------------------------------------|---|
| | | | D | A |
| Nominal size in mm (valve size measured on the connection diameter) | 15 | DN 15 (1/2) | x | x |
| | 20 | DN 20 (3/4) | x | x |
| | 25 | DN 25 (1) | x | x |
| | 32 | DN 32 (1 1/4) | x | x |
| | 40 | DN 40 (1 1/2) | x | x |
| | 50 | DN 50 (2) | x | x |
| | 65 | DN 65 (2 1/2) | x | x |
| | 80 | DN 80 (3) | x | x |
| | 100 | DN 100 (4) | x | x |
| | 125 | DN 125 (5) | x | |
| Connections | D | | Butt-weld connection: DIN EN 10220 | |
| | A | | Butt-weld connection: ANSI B 36.19M | |
| Valve housing | ANG | | Angle flow | |
| | STR | | Straight flow | |
| Other equipment | H-WHEEL | | Hand wheel | |
| | CAP | | Cap | |

NOTE:

Where products need to be certified according to specific certification societies or where higher pressures are required, the relevant information should be included at the time of order.

Ordering SVA-S SS

SVA-S SS Angleway

Table 16: Butt-weld DIN (EN 10220)

| Size | | Type | MWP | | Code number |
|------|-------|---------------------------|-----|-----|-------------|
| mm | in. | | bar | psi | |
| 15 | 1/2 | SVA-S SS 15 D ANG H-WHEEL | 52 | 754 | 148B5289 |
| 15 | 1/2 | SVA-S SS 15 D ANG CAP | 52 | 754 | 148B5290 |
| 20 | 3/4 | SVA-S SS 20 D ANG H-WHEEL | 52 | 754 | 148B5377 |
| 20 | 3/4 | SVA-S SS 20 D ANG CAP | 52 | 754 | 148B5378 |
| 25 | 1 | SVA-S SS 25 D ANG H-WHEEL | 52 | 754 | 148B5486 |
| 25 | 1 | SVA-S SS 25 D ANG CAP | 52 | 754 | 148B5487 |
| 32 | 1 1/4 | SVA-S SS 32 D ANG H-WHEEL | 52 | 754 | 148B5566 |
| 32 | 1 1/4 | SVA-S SS 32 D ANG CAP | 52 | 754 | 148B5567 |
| 40 | 1 1/2 | SVA-S SS 40 D ANG H-WHEEL | 52 | 754 | 148B5646 |
| 40 | 1 1/2 | SVA-S SS 40 D ANG CAP | 52 | 754 | 148B5647 |
| 50 | 2 | SVA-S SS 50 D ANG H-WHEEL | 52 | 754 | 148B5753 |
| 50 | 2 | SVA-S SS 50 D ANG CAP | 52 | 754 | 148B5754 |
| 65 | 2 1/2 | SVA-S SS 65 D ANG H-WHEEL | 52 | 754 | 148B5847 |
| 65 | 2 1/2 | SVA-S SS 65 D ANG CAP | 52 | 754 | 148B5848 |
| 80 | 3 | SVA-S SS 80 D ANG CAP | 50 | 725 | 148B5928 |
| 100 | 4 | SVA-S SS 100 D ANG CAP | 50 | 725 | 148B6032 |
| 125 | 5 | SVA-S SS 125 D ANG CAP | 50 | 725 | 148B6126 |

Shut-off valve, Type SVA-S SS and SVA-L SS

Table 17: Butt-weld ANSI (B 36.19M SCHEDULE 40)

| Size | | Type | MWP | | Code number |
|------|-----|-------------------------|-----|-----|-------------|
| mm | in. | | bar | psi | |
| 15 | ½ | SVA-S SS 15 A40 ANG CAP | 52 | 754 | 148B5396 |
| 20 | ¾ | SVA-S SS 20 A40 ANG CAP | 52 | 754 | 148B5395 |
| 25 | 1 | SVA-S SS 25 A40 ANG CAP | 52 | 754 | 148B6477 |
| 32 | 1¼ | SVA-S SS 32 A40 ANG CAP | 52 | 754 | 148B5595 |
| 40 | 1½ | SVA-S SS 40 A40 ANG CAP | 52 | 754 | 148B5683 |

Table 18: Butt-weld ANSI (B 36.19M SCHEDULE 10)

| Size | | Type | MWP | | Code number |
|------|-----|---------------------------|-----|-----|-------------|
| mm | in. | | bar | psi | |
| 50 | 2 | SVA-S SS 50 D/A10 ANG CAP | 52 | 754 | 148B5754 |
| 65 | 2½ | SVA-S SS 65 A10 ANG CAP | 52 | 754 | 148B6448 |
| 80 | 3 | SVA-S SS 80 D/A10 ANG CAP | 52 | 754 | 148B5928 |
| 100 | 4 | SVA-S SS 100 A10 ANG CAP | 52 | 754 | 148B6035 |

SVA-S SS Straightway

Table 19: Butt-weld DIN (EN 10220)

| Size | | Type | MWP | | Code number |
|------|-----|---------------------------|-----|-----|-------------|
| mm | in. | | bar | psi | |
| 15 | ½ | SVA-S SS 15 D STR H-WHEEL | 52 | 754 | 148B5291 |
| 15 | ½ | SVA-S SS 15 D STR CAP | 52 | 754 | 148B5292 |
| 20 | ¾ | SVA-S SS 20 D STR H-WHEEL | 52 | 754 | 148B5379 |
| 20 | ¾ | SVA-S SS 20 D STR CAP | 52 | 754 | 148B5380 |
| 25 | 1 | SVA-S SS 25 D STR H-WHEEL | 52 | 754 | 148B5488 |
| 25 | 1 | SVA-S SS 25 D STR CAP | 52 | 754 | 148B5489 |
| 32 | 1¼ | SVA-S SS 32 D STR H-WHEEL | 52 | 754 | 148B5568 |
| 32 | 1¼ | SVA-S SS 32 D STR CAP | 52 | 754 | 148B5569 |
| 40 | 1½ | SVA-S SS 40 D STR H-WHEEL | 52 | 754 | 148B5648 |
| 40 | 1½ | SVA-S SS 40 D STR CAP | 52 | 754 | 148B5649 |
| 50 | 2 | SVA-S SS 50 D STR H-WHEEL | 52 | 754 | 148B5755 |
| 50 | 2 | SVA-S SS 50 D STR CAP | 52 | 754 | 148B5756 |
| 65 | 2½ | SVA-S SS 65 D STR H-WHEEL | 52 | 754 | 148B5849 |
| 65 | 2½ | SVA-S SS 65 D STR CAP | 52 | 754 | 148B5850 |

Table 20: Butt-weld ANSI (B 36.19M SCHEDULE 40)

| Size | | Type | MWP | | Code number |
|------|-----|-------------------------|-----|-----|-------------|
| mm | in. | | bar | psi | |
| 15 | ½ | SVA-S SS 15 A40 STR CAP | 52 | 754 | 148B5397 |
| 20 | ¾ | SVA-S SS 20 A40 STR CAP | 52 | 754 | 148B5398 |
| 25 | 1 | SVA-S SS 25 A40 STR CAP | 52 | 754 | 148B5399 |
| 32 | 1¼ | SVA-S SS 32 A40 STR CAP | 52 | 754 | 148B5596 |
| 40 | 1½ | SVA-S SS 40 A40 STR CAP | 52 | 754 | 148B5684 |

Table 21: Butt-weld ANSI (B 36.19M SCHEDULE 10)

| Size | | Type | MWP | | Code number |
|------|-----|---------------------------|-----|-----|-------------|
| mm | in. | | bar | psi | |
| 50 | 2 | SVA-S SS 50 D/A10 STR CAP | 52 | 754 | 148B5756 |
| 65 | 2½ | SVA-S SS 65 A10 STR CAP | 52 | 754 | 148B6449 |

ANG = Angleway
STR = Straightway
CAP = Cap
H-WHEEL = Hand wheel

Example:
SVA-S SS 20 DIN angleway with hand wheel = **148B5377**

NOTE:

Where products need to be certified according to specific certification societies or where higher pressures are required, the relevant information should be included at the time of order.

Ordering SVA-L SS

SVA-L SS Angleway

Table 22: Butt-weld DIN (EN 10220)

| Size | | Type | MWP | | Code number |
|------|-----|---------------------------|-----|-----|-------------|
| mm | in. | | bar | psi | |
| 15 | ½ | SVA-L SS 15 D ANG H-WHEEL | 52 | 754 | 148B6546 |
| 15 | ½ | SVA-L SS 15 D ANG CAP | 52 | 754 | 148B6547 |
| 20 | ¾ | SVA-L SS 20 D ANG H-WHEEL | 52 | 754 | 148B6550 |
| 20 | ¾ | SVA-L SS 20 D ANG CAP | 52 | 754 | 148B6551 |
| 25 | 1 | SVA-L SS 25 D ANG H-WHEEL | 52 | 754 | 148B6554 |
| 25 | 1 | SVA-L SS 25 D ANG CAP | 52 | 754 | 148B6555 |
| 32 | 1¼ | SVA-L SS 32 D ANG H-WHEEL | 52 | 754 | 148B6558 |
| 32 | 1¼ | SVA-L SS 32 D ANG CAP | 52 | 754 | 148B6559 |
| 40 | 1½ | SVA-L SS 40 D ANG H-WHEEL | 52 | 754 | 148B6562 |
| 40 | 1½ | SVA-L SS 40 D ANG CAP | 52 | 754 | 148B6563 |

SVA-L SS Straightway

Table 23: Butt-weld DIN (EN 10220)

| Size | | Type | MWP | | Code number |
|------|-----|---------------------------|-----|-----|-------------|
| mm | in. | | bar | psi | |
| 15 | ½ | SVA-L SS 15 D STR H-WHEEL | 52 | 754 | 148B6548 |
| 15 | ½ | SVA-L SS 15 D STR CAP | 52 | 754 | 148B6549 |
| 20 | ¾ | SVA-L SS 20 D STR H-WHEEL | 52 | 754 | 148B6552 |
| 20 | ¾ | SVA-L SS 20 D STR CAP | 52 | 754 | 148B6553 |
| 25 | 1 | SVA-L SS 25 D STR H-WHEEL | 52 | 754 | 148B6556 |
| 25 | 1 | SVA-L SS 25 D STR CAP | 52 | 754 | 148B6557 |
| 32 | 1¼ | SVA-L SS 32 D STR H-WHEEL | 52 | 754 | 148B6560 |
| 32 | 1¼ | SVA-L SS 32 D STR CAP | 52 | 754 | 148B6561 |
| 40 | 1½ | SVA-L SS 40 D STR H-WHEEL | 52 | 754 | 148B6564 |
| 40 | 1½ | SVA-L SS 40 D STR CAP | 52 | 754 | 148B6565 |

ANG = Angleway

STR = Straightway

CAP = Cap

H-WHEEL = Hand wheel

Certificates, declarations, and approvals

The list contains all certificates, declarations, and approvals for this product type. Individual code number may have some or all of these approvals, and certain local approvals may not appear on the list.

Some approvals may change over time. You can check the most current status at danfoss.com or contact your local Danfoss representative if you have any questions.

Table 24: Valid approvals

| Type | File name | Document type | Document topic | Approval authority |
|--------|-------------------------------|-------------------------------|----------------|--------------------|
| SVA-SS | 033F0686.AH | Manufacturers Declaration | PED | Danfoss |
| | 033F0453.AD | Manufacturers Declaration | ATEX | Danfoss |
| | TSSA CRN.0C16578.523467890YTN | Pressure - Safety Certificate | CRN | TSSA |
| | 033F0691.AE | Manufacturers Declaration | RoHS | Danfoss |

Table 25: Pressure Equipment Directive (PED)


| | |
|---|---|
|  | The stainless steel valves are approved and CE marked in accordance with the Pressure Equipment Directive - 97/23/EC. |
|---|---|

Table 26: Compliance

| SVA-S/L SS | | | |
|-----------------------|------------------------|-------------------------|--------------------------|
| Nominal bore | DN≤ 25 mm (1 in.) | DN32-80 mm (1¼ - 3 in.) | DN100 - 125 mm (4-5 in.) |
| Classified for | Fluid group I | | |
| Category | Article 3, paragraph 3 | II | III |

Online support

Danfoss offers a wide range of support along with our products, including digital product information, software, mobile apps, and expert guidance. See the possibilities below.

The Danfoss Product Store



The Danfoss Product Store is your one-stop shop for everything product related—no matter where you are in the world or what area of the cooling industry you work in. Get quick access to essential information like product specs, code numbers, technical documentation, certifications, accessories, and more.

Start browsing at store.danfoss.com.

Find technical documentation



Find the technical documentation you need to get your project up and running. Get direct access to our official collection of data sheets, certificates and declarations, manuals and guides, 3D models and drawings, case stories, brochures, and much more.

Start searching now at www.danfoss.com/en/service-and-support/documentation.

Danfoss Learning



Danfoss Learning is a free online learning platform. It features courses and materials specifically designed to help engineers, installers, service technicians, and wholesalers better understand the products, applications, industry topics, and trends that will help you do your job better.

Create your Danfoss Learning account for free at www.danfoss.com/en/service-and-support/learning.

Get local information and support



Local Danfoss websites are the main sources for help and information about our company and products. Find product availability, get the latest regional news, or connect with a nearby expert—all in your own language.

Find your local Danfoss website here: www.danfoss.com/en/choose-region.

Spare Parts



Get access to the Danfoss spare parts and service kit catalog right from your smartphone. The app contains a wide range of components for air conditioning and refrigeration applications, such as valves, strainers, pressure switches, and sensors.

Download the Spare Parts app for free at www.danfoss.com/en/service-and-support/downloads.

Coolselector®2 - find the best components for you HVAC/R system



Coolselector®2 makes it easy for engineers, consultants, and designers to find and order the best components for refrigeration and air conditioning systems. Run calculations based on your operating conditions and then choose the best setup for your system design.

Download Coolselector®2 for free at coolselector.danfoss.com.

Danfoss can accept no responsibility for possible errors in catalogues, brochures and other printed material. Danfoss reserves the right to alter its products without notice. This also applies to products already on order provided that such alterations can be made without subsequential changes being necessary in specifications already agreed. All trademarks in this material are property of the respective companies. Danfoss and the Danfoss logotype are trademarks of Danfoss A/S. All rights reserved.