

# PT COMPONENTS

FOR LIMITED ACCESS CUSTOMERS

MEMBER OF...



AMERICAN BEARING MANUFACTURERS ASSOCIATION



AMERICAN GEAR MANUFACTURERS ASSOCIATION



CONVEYOR EQUIPMENT MANUFACTURERS ASSOCIATION



MECHANICAL POWER TRANSMISSION ASSOCIATION



POWER TRANSMISSION DISTRIBUTORS ASSOCIATION



NATIONAL ELECTRICAL MANUFACTURERS ASSOCIATION



BEARING SPECIALIST ASSOCIATION



HYDRAULIC INSTITUTE



MHI - THE INDUSTRY THAT MAKES SUPPLY CHAINS WORK



NSSGA NATIONAL STONE, SAND & GRAVEL ASSOCIATION



ELECTRICAL APPARATUS SERVICE ASSOCIATION, INC.



SOCIETY FOR MINING, METALLURGY & EXPLORATION INC.



SOCIETY OF WOMEN ENGINEERS



DODGE Products are  
Manufactured in  
ISO 9001 Certified Plants

Prices and data indicated in this document are for your convenience and were correct at time of printing with the exception of clerical and/or printing errors. Possession of this document by any person or company is not to be construed as an offer to sell to him or to anyone else the goods listed herein at the prices stated.

ALL DATA AND PRICES ARE SUBJECT TO CHANGE WITHOUT NOTICE and shall be subject to those prices in effect at time of shipments. All published and quoted prices are based upon the application of, and all sales are expressly subject to, the Company's Standard Terms and Conditions of Sales are available upon request. This document supersedes all previously published catalog/pricing documents.

**WARNING**

The information provided for Product Interchange in this catalog is for use only as a general reference by persons qualified to recognize unreasonable selection options. Products suggested as substitutes may have dimensional, rating, pricing and other differences from products to be replaced. This selection method must be used in conjunction with the applicable product catalog which contains important precautions and other pertinent information.

In illustrations throughout this catalog, safety guards have been removed for photographic purposes.

© 2017 Baldor Electric Company

WARNING: Because of the possible danger to person(s) or property from accidents which may result from the improper use of products, it is important that correct procedures be followed: Products must be used in accordance with the engineering information specified in the catalog. Proper installation, maintenance and operation procedures must be observed. The instructions in the instruction manuals must be followed. Inspections should be made as necessary to assure safe operation under prevailing conditions. Proper guards and other suitable safety devices or procedures as may be described or as may be specified in safety codes should be provided, and are neither provided by Baldor Electric nor are the responsibility of Baldor Electric. This unit and its associated equipment must be installed, adjusted and maintained by qualified personnel who are familiar with the construction and operation of all equipment in the system and the potential hazards involved. When risk to persons or property may be involved, a holding device must be an integral part of the driven equipment beyond the speed reducer output shaft.



## BUSHINGS & HUBS

<b>QD Bushings &amp; Hubs</b> .....	<b>4</b>
QD Weld-On Hubs .....	14
<b>BK<sup>2</sup> Bushings &amp; Hubs</b> .....	<b>15</b>
<b>Taper-Lock® Bushings</b> .....	<b>19</b>
<b>XT Bushings &amp; Hubs</b> .....	<b>29</b>



## SHEAVES

<b>Light Duty Sheaves</b> .....	<b>33</b>
MA .....	34
2MA .....	36
MB .....	38
2MB .....	40
MAL .....	42
2MAL .....	43
MBL .....	44
2MBL .....	45
<b>Fractional Fixed Bore (MFAL)</b> .....	<b>46</b>
<b>Adjustable Pitch</b> .....	<b>48</b>
MVL .....	49
VP Series .....	51
Heavy Duty (MVS) .....	55
<b>Split Taper Sheaves</b> .....	<b>57</b>
Versa-V .....	57
TB Sheaves .....	61

**NOTE: All dimensions are subject to change without prior notice.**

<b>QD Sheaves</b> .....	<b>64</b>
3V .....	66
5V .....	68
8V .....	70
A/B .....	72
C .....	75
D .....	77
Custom-Made Sheaves & Spockets .....	79
Oil Field Sheaves .....	80
<b>V-Belts</b> .....	<b>82</b>
D-V Wedge .....	83
5VX, 5V Polyband Narrow Belts .....	85
8V Polyband Narrow Belts .....	86
S-L Classic Belts .....	87
Classic Cog Belts .....	93
Double V (Hex) Belts .....	94
Flexlink Belting .....	95
FHP Belts .....	96
V-Drives .....	97

**NOTE: All dimensions are subject to change without prior notice.**



## SYNCHRONOUS DRIVES

<b>Dyna-Sync® Drives</b> .....	<b>104</b>
Dyna-Sync Pulleys .....	105
Dyna-Sync Belts .....	108
<b>HTD Sprockets</b> .....	<b>111</b>
Dodge HT Belts .....	116
Engineering/Technical .....	118



## COUPLINGS

<b>Selection</b> .....	<b>121</b>
Service Factors .....	123
<b>StarFlex</b> .....	<b>126</b>
<b>D-Flex</b> .....	<b>134</b>
<b>Para-Flex®</b> .....	<b>150</b>
 <b>Part Number Index</b> .....	 <b>INDEX-1</b>

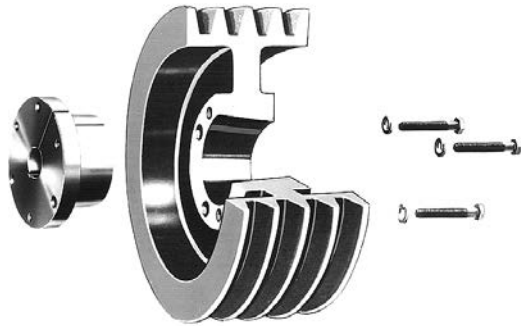
**TERMS & CONDITIONS** please contact us at: [sales@baldor.abb.com](mailto:sales@baldor.abb.com) or contact your local Baldor District Office to receive a copy.

MEMBER OF:



**NOTE: All dimensions are subject to change without prior notice.**

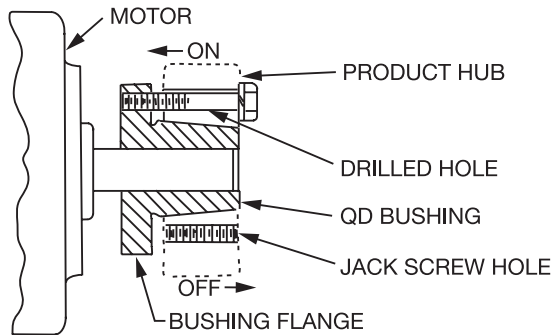
## QD Bushings



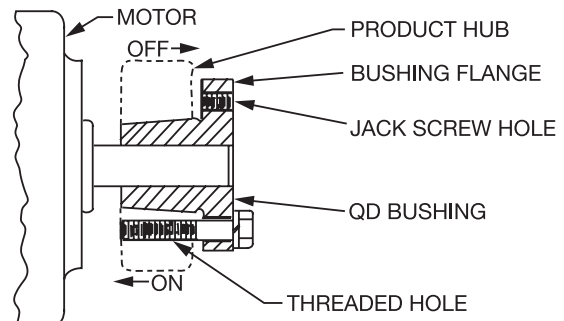
- Flanged design
- 4 degree taper
- Easy on/easy off
- Manufactured precisely to industry standards
- Conventional or reverse mounting, including sizes M through W - Dodge exclusive!
- QD is a registered trademark of Emerson Electric.



CONVENTIONAL



REVERSE



### Conventional Mounting

#### Easy On

- Place bushing in product
- Align clearance holes in product with threaded holes in bushing
- Install screws and lockwashers through clearance holes, finger tight
- Slide assembly onto shaft, flange first
- Locate assembly on shaft for proper drive alignment
- Tighten cap screws alternately and evenly to specified torque

#### Easy Off

- Remove cap screws and install in product threaded holes
- Alternately and evenly tighten screws until bushing grip is released

### Reverse Mounting

#### Easy On

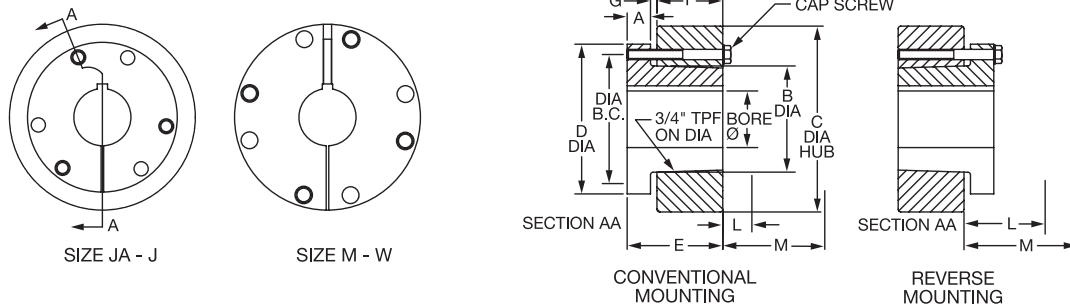
- Place bushing in product
- Align clearance holes in bushing with threaded holes in product
- Install screws and lockwashers through clearance holes, finger tight
- Slide assembly onto shaft, flange outward
- Locate assembly on shaft for proper drive alignment
- Tighten cap screws alternately and evenly to specified torque

#### Easy Off

- Remove cap screws and reinstall in flange threaded holes
- Alternately and evenly tighten screws until bushing grip is released

**IMPORTANT! Do not use lubricants or anti-seize compounds on tapered bore or bushing surfaces. Complete installation instructions are available at [www.baldor.com](http://www.baldor.com).**

## QD Bushings - Dimensions



### QD BUSHING RATINGS AND DIMENSIONS

Bush. Symb.	Ratings (lb.-in.) Bush. Torque Cap.*	Bore Range				Dimensions							
		Min.	Max. Bore for:			A	B Dia.	C Hub Dia.		D Dia.	E	F	G
			Full kW	Shallow kW	No kW			CI 30 Iron	Steel				
JA	1000	1/2	1	1-3/16	1-1/4	0.31	1.38	3.93	2.25	2.00	1.00	0.56	0.12
SH	3500	1/2	1-3/8	1-5/8	1-11/16	0.38	1.88	4.75	3.00	2.63	1.25	0.81	0.12
SDS	5000	1/2	1-5/8	1-15/16	2	0.43	2.18	4.75	3.50	3.18	1.31	0.75	0.12
SD	5000	1/2	1-5/8	1-15/16	2	0.43	2.18	3.81	3.50	3.18	1.81	1.25	0.12
SK	7000	1/2	2-1/8	2-1/2	2-5/8	0.50	2.81	4.75	4.50	3.88	1.88	1.25	0.22
SF	11000	1/2	2-5/16	2-15/16	-	0.50	3.13	6.38	5.50	4.63	2.00	1.25	0.22
E	20000	7/8	2-7/8	3-1/2	-	0.75	3.83	7.50	6.50	6.00	2.63	1.63	0.25
F	30000	1	3-1/4	3-15/16	4	0.81	4.43	7.75	7.25	6.63	3.63	2.50	0.34
J	45000	1-1/2	3-3/4	4-1/2	-	1.00	5.14	9.00	8.00	7.25	4.50	3.18	0.38
M	85000	2	4-3/4	5-1/2	-	1.25	6.50	11.38	10.00	9.00	6.75	5.18	0.41
N	150000	2-7/16	5	6	-	1.50	7.00	12.00	-	10.00	8.12	6.25	0.56
P	250000	2-15/16	5-15/16	7	-	1.75	8.25	14.00	-	11.75	9.38	7.25	0.63
W	375000	4	7-1/2	8-1/2	-	2.00	10.42	17.00	-	15.00	11.38	9.00	0.50
S	625000	5-1/2	9	10	-	3.25	12.13	19.00	-	17.75	15.75	12.00	0.75

\* Torque ratings apply when bushing installation screws are tightened to listed torque. Important: Do not over-torque screws. This can lead to hub damage

### INSTALLATION INFORMATION

Bush. Symb.	Installation Screws				Required Wrench Clearance							
	B.C. Dia.	Qty.	Size	Screw Torque (lb. - in.)	Conventional Mounting				Reverse Mounting			
					L-Install		M-Remove		L-Install		M-Remove	
					#	@	#	@	#	@	#	@
JA	1.65	3	10 - 24 x 1	60	0.41	2.53	1.13	3.25	1.13	3.25	1.56	3.68
SH	2.25	3	1/4 - 20 x 1-3/8	108	0.54	2.61	1.51	3.58	1.51	3.58	2.08	4.13
SDS	2.69	3	1/4 - 20 x 1-3/8	108	0.59	2.66	1.56	3.63	1.56	3.63	2.13	4.18
SD	2.69	3	1/4 - 20 x 1-7/8	108	0.66	2.72	2.06	4.13	2.06	4.13	2.63	4.68
SK	3.31	3	5/16 - 18 x 2	180	0.72	2.66	2.19	4.19	2.25	4.25	2.32	4.94
SF	3.88	3	3/8 - 16 x 2	360	0.78	2.78	2.25	4.23	2.30	4.30	3.19	5.18
E	5.00	3	1/2 - 13 x 2-3/4	720	1.12	3.06	3.00	4.93	3.05	5.00	4.30	6.25
F	5.63	3	9/16 - 12 x 3-5/8	900	1.09	2.91	3.94	5.75	3.99	5.81	5.31	7.12
J	6.25	3	5/8 - 11 x 4-1/2	1620	1.28	3.09	4.81	6.62	3.80	5.62	5.37	7.18
M	7.88	4	3/4 - 10 x 6-3/4	2700	2.16	4.03	7.69	9.56	-	-	-	-
N	8.50	4	7/8 - 9 x 8	3600	2.28	-	9.25	-	-	-	-	-
P	10.00	4	1 - 8 x 9-1/2	5400	3.13	-	10.88	-	-	-	-	-
W	12.75	4	1-1/8 - 7 x 11-1/2	7200	3.88	-	13.38	-	-	-	-	-
S	15.00	5	1-1/4 - 7 x 15	9000	3.75	-	16.50	-	-	-	-	-

# Using open-end wrench  
@ Using socket wrench

Note: Installation and maintenance instructions for Dodge products available at [www.baldor.com](http://www.baldor.com)

## QD Bushings - Stock Bore

QD Bush. Size	Bore	P/N	Description (Maska P/N)	Wt.	Bushing Keyway	Key Size REF
JA	1/2	120332	JAX1/2kW	0.46	1/8 x 1/16	1/8 x 1/8
	9/16	120333	JAX9/16	0.46	–	–
	5/8	120334	JAX5/8	0.45	–	–
	11/16	120335	JAX11/16	0.43	–	–
	3/4	120336	JAX3/4	0.41	3/16 x 3/32	3/16 x 3/16
	13/16	120337	JAX13/16	0.40	–	–
	7/8	120338	JAX7/8	0.37	–	–
	15/16	120339	JAX15/16	0.35	1/4 x 1/8	1/4 x 1/4
	1	120340	JAX1	0.33	–	–
	1-1/16	120341	JAX1-1/16	0.34	–	–
	1-1/8	120342	JAX1-1/8	0.31	1/4 x 1/16	1/4 x 3/16*
	1-3/16	120343	JAX1-3/16	0.29	–	–
	1-1/4	120344	JAX1-1/4	0.25	1/4 x 1/32	1/4 x 5/32*
	19mm	117049	JAX19mm	0.42	6 x 2.8mm	6 x 6mm
	20mm	120329	JAX20mm	0.41	–	–
	22mm	117043	JAX22mm 6 X 2.8mm kW	0.40	–	–
SH	1/2	120345	SHX1/2kW	1.16	1/8 x 1/16	1/8 x 1/8
	9/16	120346	SHX9/16	1.14		
	5/8	120347	SHX5/8	1.14	–	–
	11/16	120348	SHX11/16	1.14	–	–
	3/4	120349	SHX3/4	1.10	3/16 x 3/32	3/16 x 3/16
	13/16	120350	SHX13/16	1.07	–	–
	7/8	120351	SHX7/8	1.04	–	–
	15/16	120352	SHX15/16	1.00	1/4 x 1/8	1/4 x 1/4
	1	120353	SHX1	0.98		
	1-1/16	120354	SHX1-1/16	0.94		
	1-1/8	120355	SHX1-1/8	0.91		
	1-3/16	120356	SHX1-3/16	0.88	5/16 x 5/32	5/16 x 5/16
	1-1/4	120357	SHX1-1/4	0.84		
	1-5/16	120358	SHX1-5/16	0.82	3/8 x 1/16	3/8 x 1/4*
	1-3/8	120359	SHX1-3/8	0.80		
	1-7/16	120360	SHX1-7/16	0.79		
1-1/2	120361	SHX1-1/2	0.75			
1-9/16	120362	SHX1-9/16	0.90	None	–	
1-5/8	120363	SHX1-5/8	0.64			
1-11/16	120580	SHX1-11/16	0.55	8 X 3.3mm	8 X 7mm	
24mm	120088	SHX24mm	1.00			
25mm	120089	SHX25mm	0.99			
28mm	120090	SHX28mm	0.93			
30mm	120091	SHX30mm	0.87	10 X 3.3mm	10 X 8mm	
32mm	120092	SHX32mm	0.82			
35mm	120093	SHX35mm	0.74			

QD Bush. Size	Bore	P/N	Description (Maska P/N)	Wt.	Bushing Keyway	Key Size REF
SDS	1/2	120388	SDSX1/2kW	1.65	1/8 x 1/16	1/8 x 1/8
	9/16	120389	SDSX9/16	1.65	–	–
	5/8	120390	SDSX5/8	1.61	–	–
	11/16	120391	SDSX11/16	1.60	–	–
	3/4	120392	SDSX3/4	1.58	3/16 x 3/32	3/16 x 3/16
	13/16	120393	SDSX13/16	1.54	–	–
	7/8	120394	SDSX7/8	1.54	–	–
	15/16	120395	SDSX15/16	1.50	–	–
	1	120396	SDSX1	1.46	–	–
	1-1/16	120397	SDSX1-1/16	1.43	1/4 x 1/8	1/4 x 1/4
	1-1/8	120398	SDSX1-1/8	1.38	–	–
	1-3/16	120399	SDSX1-3/16	1.36	–	–
	1-1/4	120400	SDSX1-1/4	1.32	–	–
	1-5/16	120401	SDSX1-5/16	1.26	5/16 x 5/32	5/16 x 5/16
	1-3/8	120402	SDSX1-3/8	1.24	–	–
	1-7/16	120403	SDSX1-7/16	1.19	3/8 x 3/16	3/8 x 3/8
	1-1/2	120404	SDSX1-1/2	1.15		
	1-9/16	120405	SDSX1-9/16	1.11		
	1-5/8	120406	SDSX1-5/8	1.08	3/8 x 1/8	3/8 x 5/16*
	1-11/16	120407	SDSX1-11/16	1.08		
	1-3/4	120408	SDSX1-3/4	1.02	1/2 x 1/16	1/2 x 5/16*
	1-13/16	120409	SDSX1-13/16	0.98		
	1-7/8	120410	SDSX1-7/8	0.92	–	–
	1-15/16	120411	SDSX1-15/16	0.87	None	–
	2	120412	SDSX2	0.77	8 X 3.3mm	8 X 7mm
	24mm	120094	SDSX24mm	1.47		
25mm	120095	SDSX25mm	1.47			
28mm	120096	SDSX28mm	1.41			
30mm	120097	SDSX30mm	1.36	–	–	
32mm	120098	SDSX32mm	1.31			
35mm	120099	SDSX35mm	1.22	10 X 3.3mm	10 X 8mm	
38mm	120100	SDSX38mm	1.00	–	–	
40mm	120101	SDSX40mm	1.01	12 X 3.3mm	12 X 8mm	
42mm	120102	SDSX42mm	1.02			

Bore sizes marked (#) will be supplied with 1/2 in. wide keyway unless the 5/8 in. wide keyway is specified when ordering

\* Key furnished for these sizes ONLY

\*\* Key not furnished for mm bores sizes



## QD Bushings - Stock Bore

QD Bush. Size	Bore	P/N	Description (Maska P/N)	Wt.	Bushing Keyway	Key Size REF
SD	1/2	120364	SDX1/2kW	2.07	1/8 x 1/16	1/8 x 1/8
	9/16	120365	N/A	2.05		
	5/8	120366	SDX5/8	2.03	-	-
	11/16	120367	SDX11/16	2.00	-	-
	3/4	120368	SDX3/4	2.00	3/16 x 3/32	3/16 x 3/16
	13/16	120369	N/A	2.00	-	-
	7/8	120370	SDX7/8	1.88	-	-
	15/16	120371	SDX15/16	1.85	-	-
	1	120372	SDX1	1.80	-	-
	1-1/16	120373	SDX1-1/16	1.79	1/4 x 1/8	1/4 x 1/4
	1-1/8	120374	SDX1-1/8	1.72	-	-
	1-3/16	120375	SDX1-3/16	1.67	-	-
	1-1/4	120376	SDX1-1/4	1.62	-	-
	1-5/16	120377	SDX1-5/16	1.55	5/16 x 5/32	5/16 x 5/16
	1-3/8	120378	SDX1-3/8	1.50		
	1-7/16	120379	SDX1-7/16	1.44	-	-
	1-1/2	120380	SDX1-1/2	1.36	-	-
	1-9/16	120381	SDX1-9/16	1.29	3/8 x 3/16	3/8 x 3/8
	1-5/8	120382	SDX1-5/8	1.29	-	-
	1-11/16	120383	SDX1-11/16	1.20	-	-
	1-3/4	120384	SDX1-3/4	1.19	3/8 x 1/8	3/8 x 5/16*
	1-13/16	120385	SDX1-13/16	1.15	-	-
	1-7/8	120386	SDX1-7/8	1.07	1/2 x 1/16	1/2 x 5/16*
	1-15/16	120387	SDX1-15/16	1.00	-	-
	2	120581	SDX2	0.84	None	-
	24mm	120103	SDX24mm	1.84	8 X 3.3mm	8 X 7mm
	25mm	120104	SDX25mm	1.82		
	28mm	120105	SDX28mm	1.72		
	30mm	120106	SDX30mm	1.66		
	32mm	120107	SDX32mm	1.58	-	-
	35mm	120108	SDX35mm	1.49	10 X 3.3mm	10 X 8mm
	38mm	120109	SDX38mm	1.37	-	-
40mm	120110	SDX40mm	1.28	12 X 3.3mm	12 X 8mm	
42mm	120111	SDX42mm	1.18			

P/N's marked (+) are integral key bushings

Bore sizes marked (#) will be supplied with 1/2 in. wide keyway unless the 5/8 in. wide keyway is specified when ordering

\* Key furnished for these sizes ONLY

\*\* Key not furnished for mm bores sizes

QD Bush. Size	Bore	P/N	Description (Maska P/N)	Wt.	Bushing Keyway	Key Size REF		
SK (Con't.)	1-1/8	120423	SKX1-1/8	3.37	1/4 x 1/8	1/4 x 1/4		
	1-3/16	120424	SKX1-3/16	3.31	-	-		
	1-1/4	120425	SKX1-1/4	3.31	-	-		
	1-5/16	120426	SKX1-5/16	3.18	5/16 x 5/32	5/16 x 5/16		
	1-3/8	120427	SKX1-3/8	3.12				
	1-7/16	120428	SKX1-7/16	3.08	3/8 x 3/16	3/8 x 3/8		
	1-1/2	120429	SKX1-1/2	3.00				
	1-9/16	120430	SKX1-9/16	2.95				
	1-5/8	120431	SKX1-5/8	2.86				
	1-11/16	120432	SKX1-11/16	2.79	1/2 x 1/4	1/2 x 1/2		
	1-3/4	120433	SKX1-3/4	2.88				
	1-13/16	120434	SKX1-13/16	2.62				
	1-7/8	120435	SKX1-7/8	2.50				
	1-15/16	120436	SKX1-15/16	2.42				
	2	120437	SKX2	2.32				
	2-1/16	120438	SKX2-1/16	2.26				
	2-1/8	120439	SKX2-1/8	2.17				
	2-3/16	120440	SKX2-3/16	2.21			1/2 x 3/16	1/2 x 7/16*
	2-1/4	120441	SKX2-1/4	2.09			-	-
	2-5/16	120442	SKX2-5/16	2.00	5/8 x 1/16	5/8 x 3/8*		
	2-3/8	120443	SKX2-3/8	1.91				
	2-7/16	120444	SKX2-7/16	1.81				
	2-1/2	120445	SKX2-1/2	1.72				
	2-5/8	120447	SKX2-5/8	1.32	None	-		
	24mm	120112	SKX24mm	3.52	8 X 3.3mm	8 X 7mm		
	25mm	120113	SKX25mm	3.50				
	28mm	120114	SKX28mm	3.41				
	30mm	120115	SKX30mm	3.31				
	32mm	120116	SKX32mm	3.31	-	-		
	35mm	120117	SKX35mm	3.12	10 X 3.3mm	10 X 8mm		
	38mm	120118	SKX38mm	2.98	-	-		
	40mm	120119	SKX40mm	2.95	12 X 3.3mm	12 X 8mm		
42mm	120120	SKX42mm	2.86					
45mm	120070	SKX45mm	2.69	-	-			
48mm	120121	SKX48mm	2.50	14 X 3.8mm	14 X 9mm			
50mm	120122	SKX50mm	2.40	-	-			
55mm	120123	SKX55mm	2.17	16 X 4.3mm	16 X 10mm			
SF	1/2	120448	SFX1/2kW	5.27	1/8 x 1/4	1/8 x 1/8		
	9/16	120449	SFX9/16	5.27	-	-		
	5/8	120450	SFX5/8	5.22	3/16 x 3/32	3/16 x 3/16		
	11/16	120451	SFX11/16	5.20				
	3/4	120452	SFX3/4	5.17				
	13/16	120453	SFX13/16	5.32				
	7/8	120454	SFX7/8	5.08	1/4 x 1/8	1/4 x 1/4		
	15/16	120455	SFX15/16	5.05				
	1	120456	SFX1	5.00				
	1-1/16	120457	SFX1-1/16	4.95				
	1-1/8	120458	SFX1-1/8	4.90				
	1-3/16	120459	SFX1-3/16	4.83				
1-1/4	120460	SFX1-1/4	4.77	-	-			

**QD Bushings - Stock Bore**

BUSHINGS & HUBS

SHEAVES

SYNCHRONOUS DRIVES

COUPLINGS

PART NUMBER INDEX

QD Bush. Size	Bore	P/N	Description (Maska P/N)	Wt.	Bushing Keyway	Key Size REF
SF (Con't.)	1-5/16	120461	SFX1-5/16	4.71	5/16 x 5/32	5/16 x 5/16
	1-3/8	120462	SFX1-3/8	4.61		
	1-7/16	120463	SFX1-7/16	4.57		
	1-1/2	120464	SFX1-1/2	4.48	3/8 x 3/16	3/8 x 3/8
	1-9/16	120465	SFX1-9/16	4.42		
	1-5/8	120466	SFX1-5/8	4.32		
	1-11/16	120467	SFX1-11/16	4.31		
	1-3/4	120468	SFX1-3/4	4.16	1/2 x 1/4	1/2 x 1/2
	1-13/16	120469	SFX1-13/16	4.06		
	1-7/8	120470	SFX1-7/8	4.00		
	1-15/16	120471	SFX1-15/16	3.87		
	2	120472	SFX2	3.78		
	2-1/16	120473	SFX2-1/16	3.70		
	2-1/8	120474	SFX2-1/8	3.57		
	2-3/16	120475	SFX2-3/16	3.45		
	2-1/4	120476	SFX2-1/4	3.38		
	2-5/16	120477	SFX2-5/16	3.32		
	2-3/8	120478	SFX2-3/8	3.39	5/8 x 5/16	5/8 x 5/8
	2-7/16	120479	SFX2-7/16	3.26	5/8 x 3/16	5/8 x 1/2*
	2-1/2	120592	SFX2-1/2	3.16	5/8 x 1/16	5/8 x 3/8*
2-5/8	120483	SFX2-5/8	2.91			
2-11/16	120483	SFX2-11/16	2.80			
2-3/4	120484	SFX2-3/4	2.59			
2-13/16	120485	SFX2-13/16	2.50	3/4 x 1/16	3/4 x 7/16*	
2-7/8	120486	SFX2-7/8	2.35	3/4 x 1/32	3/4 x 13/32*	
2-15/16	120487	SFX2-15/16	2.22	8 X 3.3mm	8 X 7mm	
28mm	120124	SFX28mm	5.00			
30mm	120125	SFX30mm	4.90	-	-	
32mm	120126	SFX32mm	4.77			
35mm	120127	SFX35mm	4.61	10 X 3.3mm	10 X 8mm	
38mm	120128	SFX38mm	4.48	12 X 3.3mm	12 X 8mm	
40mm	120129	SFX40mm	4.42			
42mm	120130	SFX42mm	4.32	-	-	
45mm	120071	SFX45mm	4.16	-	-	
48mm	120131	SFX48mm	4.00	14 X 3.8mm	14 X 9mm	
50mm	120132	SFX50mm	3.87	-	-	
55mm	120133	SFX55mm	3.57	16 X 4.3mm	16 X 10mm	
60mm	120134	SFX60mm	3.39	18 X 4.4mm	18 X 11mm	
E	7/8	120488	EX7/8	11.80	3/16 x 3/32	3/16 x 3/16
	1	120490	EX1	11.65	1/4 x 1/8	1/4 x 1/4
	1-1/8	120492	EX1-1/8	11.46		
	1-3/16	120493	EX1-3/16	11.40		
	1-1/4	120494	EX1-1/4	11.33	5/16 x 5/32	5/16 x 5/16
	1-5/16	120495	EX1-5/16	11.26		
	1-3/8	120496	EX1-3/8	11.20		
	1-7/16	120497	EX1-7/16	11.13		
	1-1/2	120498	EX1-1/2	10.86	3/8 x 3/16	3/8 x 3/8
	1-9/16	120499	EX1-9/16	10.82		
	1-5/8	120500	EX1-5/8	10.69		
	1-11/16	120501	EX1-11/16	10.56		
	1-3/4	120502	EX1-3/4	10.46		
	1-13/16	120503	EX1-13/16	10.16		
	1-7/8	120504	EX1-7/8	10.16	1/2 x 1/4	1/2 x 1/2
1-15/16	120505	EX1-15/16	10.16			

QD Bush. Size	Bore	P/N	Description (Maska P/N)	Wt.	Bushing Keyway	Key Size REF
E (Con't.)	2	120506	EX2	10.01	1/2 x 1/4	1/2 x 1/2
	2-1/16	120507	EX2-1/16	9.85		
	2-1/8	120508	EX2-1/8	9.73		
	2-3/16	120509	EX2-3/16	9.42		
	2-1/4	120510	EX2-1/4	9.42	5/8 x 5/16	5/8 x 5/8
	2-5/16	120511	EX2-5/16	9.07		
	2-3/8	120512	EX2-3/8	8.95		
	2-7/16	120513	EX2-7/16	8.77		
	2-1/2	120514	EX2-1/2	8.72		
	2-5/8	120516	EX2-5/8	8.37		
	2-11/16	120517	EX2-11/16	8.05		
	2-3/4	120518	EX2-3/4	7.90		
	2-13/16	120519	EX2-13/16	7.70	3/4 x 3/8	3/4 x 3/4
	2-7/8	120520	EX2-7/8	7.32	3/4 x 1/8	3/4 x 1/2*
	2-15/16	120521	EX2-15/16	7.53		
	3	120522	EX3	7.31		
	3-1/8	120524	EX3-1/8	6.90		
	3-3/16	120525	EX3-3/16	6.69	7/8 x 1/8	7/8 x 9/16*
	3-1/4	120526	EX3-1/4	6.48		
	3-5/16	120527	EX3-5/16	6.10	7/8 x 1/16	7/8 x 1/2*
	3-3/8	120528	EX3-3/8	6.21		
	3-7/16	120529	EX3-7/16	5.86		
	3-1/2	120530	EX3-1/2	5.73	8 X 3.3mm	8 X 7mm
	28mm	120073	EX28mm, 8 X 3.3mm kW	10.20		
	30mm	120074	EX30mm, 8 X 3.3mm kW	10.20	-	-
	32mm	120075	EX32mm, 10 X 3.3mm kW	10.20	-	-
	35mm	120135	EX35mm	10.20	10 X 3.3mm	10 X 8mm
	38mm	120136	EX38mm	10.00	-	-
	40mm	120137	EX40mm	10.88	12 X 3.3mm	12 X 8mm
	42mm	120138	EX42mm	9.80	-	-
45mm	120141	EX45mm	9.60	-	-	
48mm	120139	EX48mm	10.26	14 X 3.8mm	14 X 9mm	
50mm	120140	EX50mm	10.06	-	-	
55mm	120142	EX55mm	9.56	16 X 4.3mm	16 X 10mm	
60mm	120143	EX60mm	9.10	18 X 4.4mm	18 X 11mm	
65mm	120144	EX65mm	9.60			
70mm	120145	EX70mm	7.87	20 X 4.9mm	20 X 12mm	
75mm	120146	EX75mm	7.28			
F	1	120531	FX1	19.41	1/4 x 1/8	1/4 x 1/4
	1-1/8	120533	FX1-1/8	19.15		
	1-3/16	120534	FX1-3/16	18.00		
	1-1/4	120535	FX1-1/4	18.99	5/16 x 5/32	5/16 x 5/16
	1-3/8	120537	FX1-3/8	18.68		
	1-7/16	120538	FX1-7/16	18.56		
	1-1/2	120539	FX1-1/2	18.48		
	1-9/16	120540	FX1-9/16	18.40	3/8 x 3/16	3/8 x 3/8
	1-5/8	120541	FX1-5/8	18.15		
	1-11/16	120542	FX1-11/16	17.91		
	1-3/4	120543	FX1-3/4	16.77		
	1-13/16	120544	FX1-13/16	17.62		
	1-7/8	120545	FX1-7/8	16.41		
	1-15/16	120546	FX1-15/16	16.00	1/2 x 1/4	1/2 x 1/2
	2	120547	FX2	16.00		
2-1/16	120548	FX2-1/16	16.00			
2-1/8	120549	FX2-1/8	15.95			
2-3/16	120550	FX2-3/16	15.95			
2-1/4	120551	FX2-1/4	15.95			

P/N's marked (+) are integral key bushings

Bore sizes marked (#) will be supplied with 1/2 in. wide keyway unless the 5/8 in. wide keyway is specified when ordering

\* Key furnished for these sizes ONLY

\*\* Key not furnished for mm bores sizes

## QD Bushings - Stock Bore

QD Bush. Size	Bore	P/N	Description (Maska P/N)	Wt.	Bushing Keyway	Key Size REF		
F (Con't.)	2-5/16	120552	FX2-5/16	15.95	5/8 x 5/16	5/8 x 5/8		
	2-3/8	120553	FX2-3/8	15.50				
	2-7/16	120554	FX2-7/16	15.50				
	2-1/2	120555	FX2-1/2	15.37				
	2-5/8	120557	FX2-5/8	14.86				
	2-11/16	120558	FX2-11/16	14.50				
	2-3/4	120559	FX2-3/4	14.37				
	2-13/16	120560	FX2-13/16	14.00	3/4 x 3/8	3/4 x 3/4		
	2-7/8	120561	FX2-7/8	14.02				
	2-15/16	120562	FX2-15/16	13.47				
	3	120563	FX3	13.20				
	3-1/8	120565	FX3-1/8	12.67				
	3-3/16	120566	FX3-3/16	12.50	7/8 x 3/16	7/8 x 5/8*		
	3-1/4	120567	FX3-1/4	12.00				
	3-3/8	120569	FX3-3/8	12.00				
3-7/16	120570	FX3-7/16	11.88					
3-1/2	120571	FX3-1/2	11.40					
3-5/8	120573	FX3-5/8	10.53					
3-11/16	120574	FX3-11/16	14.00	1 x 1/8			1 x 5/8*	
3-3/4	120575	FX3-3/4	9.89					
3-7/8	120577	FX3-7/8	9.26					
3-15/16	120578	FX3-15/16	9.23	None	-			
4	120579	FX4	7.96					
45mm	120076	FX45mm	16.20					
48mm	120147	FX48mm	16.00					
50mm	120148	FX50mm	15.80					
55mm	120149	FX55mm	15.80					
60mm	120150	FX60mm	15.80					
65mm	120151	FX65mm	14.30					
70mm	120152	FX70mm	14.30					
75mm	120153	FX75mm	13.50					
80mm	120155	FX80mm	12.55					
85mm	120155	FX85mm	10.60					
90mm	120077	FX90mm	10.50					
J	1-1/2	120600	JX1-1/2			28.97	3/8 x 3/16	3/8 x 3/8
	1-5/8	120601	JX1-5/8			28.61		
	1-3/4	120603	JX1-3/4	28.28				
	1-7/8	120604	JX1-7/8	27.79	1/2 x 1/4	1/2 x 1/2		
	1-15/16	120605	JX1-15/16	27.53				
	2	120606	JX2	27.33				
	2-1/8	120607	JX2-1/8	26.74				
	2-3/16	120608	JX2-3/16	26.37				
	2-1/4	120609	JX2-1/4	26.32	5/8 x 5/16	5/8 x 5/8		
	2-3/8	120610	JX2-3/8	25.65				
	2-7/16	120611	JX2-7/16	25.52				
	2-1/2	120612	JX2-1/2	25.05				
	2-5/8	120613	JX2-5/8	24.50				
	2-11/16	120614	JX2-11/16	24.18				
	2-3/4	120615	JX2-3/4	23.86				
	2-7/8	120617	JX2-7/8	23.15	3/4 x 3/8	3/4 x 3/4		
	2-15/16	120618	JX2-15/16	23.07				
	3	120619	JX3	22.43				
	3-1/8	120620	JX3-1/8	21.68				

P/N's marked (+) are integral key bushings

Bore sizes marked (#) will be supplied with 1/2 in. wide keyway unless the 5/8 in. wide keyway is specified when ordering

\* Key furnished for these sizes ONLY

\*\* Key not furnished for mm bores sizes

QD Bush. Size	Bore	P/N	Description (Maska P/N)	Wt.	Bushing Keyway	Key Size REF
J (Con't.)	3-3/16	120621	JX3-3/16	21.35	3/4 x 3/8	3/4 x 3/4
	3-1/4	120622	JX3-1/4	20.98		
	3-3/8	120623	JX3-3/8	20.33		
	3-7/16	120624	JX3-7/16	21.13	7/8 x 7/16	7/8 x 7/8
	3-1/2	120625	JX3-1/2	19.58		
	3-5/8	120626	JX3-5/8	18.44		
	3-11/16	120627	JX3-11/16	18.04		
	3-3/4	120628	JX3-3/4	17.62		
	3-7/8	120629	JX3-7/8	17.94	1 x 1/8	1 x 5/8*
	3-15/16	120630	JX3-15/16	17.38		
	4	120631	JX4	16.62		
	4-1/8	120632	JX4-1/8	15.69		
	4-3/16	120633	JX4-3/16	14.55		
	4-1/4	120634	JX4-1/4	14.68		
	4-3/8	120635	JX4-3/8	14.00		
	4-7/16	120636	JX4-7/16	13.49		
	4-1/2	120637	JX4-1/2	12.67		
	50mm	120157	JX50mm	26.50		
	55mm	120158	JX55mm	25.60	16 X 4.3mm	16 X 10mm
	60mm	120159	JX60mm	25.82	18 X 4.4mm	18 X 11mm
65mm	120160	JX65mm	25.25			
70mm	120161	JX70mm	24.04	20 X 4.9mm	20 X 12mm	
75mm	120162	JX75mm	21.90			
80mm	120163	JX80mm	20.90	22 X 5.4mm	22 X 14mm	
85mm	120164	JX85mm	20.52			
90mm	120165	JX90mm	18.10	25 X 5.4mm	25 X 14mm	
95mm	120166	JX95mm	16.80			
100mm	120167	JX100mm	16.50	26 X 6.4mm	28 X 16mm	
M	2	119900	MX2	62.65	-	-
	2-1/8	119901	MX2-1/8	62.65	1/2 x 1/4	1/2 x 1/2
	2-3/16	119902	MX2-3/16	61.58	-	-
	2-1/4	119903	MX2-1/4	61.14	-	-
	2-3/8	119904	MX2-3/8	59.50	-	-
	2-7/16	119905	MX2-7/16	59.35	-	-
	2-1/2	119906	MX2-1/2	59.21	5/8 x 5/16	5/8 x 5/8
	2-5/8	119907	MX2-5/8	58.69	-	-
	2-3/4	119908	MX2-3/4	57.86	-	-
	2-7/8	119909	MX2-7/8	56.57	3/4 x 3/8	3/4 x 3/4
	2-15/16	119910	MX2-15/16	56.17		
	3	119911	MX3	56.10		
	3-1/8	119912	MX3-1/8	55.82		
	3-3/16	119913	MX3-3/16	53.84		
	3-1/4	119914	MX3-1/4	53.42	7/8 x 7/16	7/8 x 7/8
	3-3/8	119915	MX3-3/8	52.06		
	3-7/16	119916	MX3-7/16	52.04		
3-1/2	119917	MX3-1/2	51.12			
3-5/8	119918	MX3-5/8	50.08			
3-11/16	119919	MX3-11/16	49.00			
3-3/4	119920	MX3-3/4	48.47			
3-7/8	119921	MX3-7/8	47.03	1 x 1/2	1 x 1	
3-15/16	119922	MX3-15/16	46.26			
4	119923	MX4	46.09			
4-1/8	119924	MX4-1/8	44.31			
4-3/16	119925	MX4-3/16	43.64			
4-1/4	119926	MX4-1/4	42.81			

## QD Bushings - Stock Bore

QD Bush. Size	Bore	P/N	Description (Maska P/N)	Wt.	Bushing Keyway	Key Size REF		
<b>M</b> (Con't.)	4-3/8	<b>119927</b>	MX4-3/8	41.46	1 x 1/2	1 x 1		
	4-7/16	<b>119928</b>	MX4-7/16	40.60				
	4-1/2	<b>119929</b>	MX4-1/2	40.27				
	4-11/16	<b>119930</b>	MX4-11/16	37.12	1-1/4 x 5/8	1-1/4 x 1-1/4		
	4-3/4	<b>119931</b>	MX4-3/4	37.00	-	-		
	4-7/8	<b>119932</b>	MX4-7/8	36.89	-	-		
	4-15/16	<b>119933</b>	MX4-15/16	36.13	-	-		
	5	<b>119934</b>	MX5	35.66	-	-		
	5-1/8	<b>119899</b>	MX5-1/8	35.00	1-1/4 x 1/4	1-1/4 x 7/8*		
	5-3/16	<b>119894</b>	MX5-3/16	35.00	-	-		
	5-1/4	<b>119935</b>	MX5-1/4	30.00	-	-		
	5-7/16	<b>119936</b>	MX5-7/16	30.00	-	-		
	5-1/2	<b>119937</b>	MX5-1/2	29.00	-	-		
	<b>N</b>	2-7/16	<b>119940</b>	NX2-7/16-KW	87.57	5/8 x 5/16	5/8 x 5/8	
		2-15/16	<b>119941</b>	NX2-15/16	83.00	3/4 x 3/8	3/4 x 3/4	
3-7/16		<b>119942</b>	NX3-7/16	80.00	-	-		
3-1/2		<b>119980</b>	NX3-1/2	80.00	7/8 x 7/16	7/8 x 7/8		
3-3/4		<b>119943</b>	NX3-3/4	80.00	-	-		
3-7/8		<b>119944</b>	NX3-7/8	80.00	-	-		
3-15/16		<b>119945</b>	NX3-15/16	80.00	1 x 1/2	1 x 1		
4		<b>119946</b>	NX4	80.00				
4-3/16		<b>119947</b>	NX4-3/16	80.00				
4-1/4		<b>119948</b>	NX4-1/4	80.00				
4-3/8		<b>119982</b>	NX4-3/8	79.00	1-1/4 x 5/8	1-1/4 x 1-1/4		
4-7/16		<b>119949</b>	NX4-7/16	78.00				
4-1/2		<b>119950</b>	NX4-1/2	77.00				
4-11/16		<b>119983</b>	NX4-11/16	76.00				
4-3/4		<b>119951</b>	NX4-3/4	75.00				
4-7/8		<b>119952</b>	NX4-7/8	74.00				
4-15/16		<b>119953</b>	NX4-15/16	73.00				
5		<b>119954</b>	NX5	72.00				
5-1/8		<b>119955</b>	NX5-1/8	71.00			1-1/4 x 1/4	1-1/4 x 7/8*
5-3/16		<b>119986</b>	NX5-3/16	70.50				
5-1/4	<b>119956</b>	NX5-1/4	70.00					
5-7/16	<b>119957</b>	NX5-7/16	52.19					
5-1/2	<b>119958</b>	NX5-1/2	49.02					
5-3/4	<b>119959</b>	NX5-3/4	49.00	1-1/2 x 1/8	1-1/2 x 7/8*			
5-7/8	<b>119960</b>	NX5-7/8	44.00					
5-15/16	<b>119961</b>	NX5-15/16	43.00					
6	<b>119962</b>	NX6	42.00					

QD Bush. Size	Bore	P/N	Description (Maska P/N)	Wt.	Bushing Keyway	Key Size REF		
<b>P</b>	3-7/16	<b>119965</b>	PX3-7/16	134.00	7/8 x 7/16	7/8 x 7/8		
	3-15/16	<b>119966</b>	PX3-15/16	122.00	1 x 1/2	1 x 1		
	4	<b>119987</b>	PX4	122.00				
	4-7/16	<b>119967</b>	PX4-7/16	122.40				
	4-1/2	<b>119968</b>	PX4-1/2	121.00	1-1/4 x 5/8	1-1/4 x 1-1/4		
	4-3/4	<b>119969</b>	PX4-3/4	120.00				
	4-7/8	<b>119985</b>	PX4-7/8	120.00				
	4-15/16	<b>119970</b>	PX4-15/16	119.00				
	5	<b>119971</b>	PX5	115.00				
	5-3/16	<b>119984</b>	PX5-3/16	114.00				
	5-7/16	<b>119972</b>	PX5-7/16	113.00				
	5-1/2	<b>119973</b>	PX5-1/2	100.00				
	5-15/16	<b>119974</b>	PX5-15/16	94.00			-	-
	6	<b>119975</b>	PX6	93.70			1-1/2 x 1/4	1-1/2 x 1*
	6-7/16	<b>119976</b>	PX6-7/16	83.50				
6-1/2	<b>119977</b>	PX6-1/2	80.50					
7	<b>119978</b>	PX7	68.00	1-3/4 x 1/8	1-3/4 x 7/8*			
<b>W</b>	4-1/4	<b>120180</b>	WX4-1/4	260.00	-	-		
	4-7/16	<b>120181</b>	WX4-7/16	256.60	1 x 1/2	1 x 1		
	4-1/2	<b>120182</b>	WX4-1/2 kW	255.40	-	-		
	4-3/4	<b>120183</b>	WX4-3/4	250.00	1-1/4 x 5/8	1-1/4 x 1-1/4		
	5	<b>120186</b>	WX5	244.30				
	5-3/8	<b>120188</b>	WX5-3/8 kW	235.30				
	5-1/2	<b>120189</b>	WX5-1/2	232.20	1-1/2 x 3/4	1-1/2 x 1-1/2		
	5-3/4	<b>120190</b>	WX5-3/4	225.70				
	5-7/8	<b>120191</b>	WX5-7/8 kW	222.30				
	5-15/16	<b>120192</b>	WX5-15/16	220.00				
	6	<b>120193</b>	WX6	218.90				
	6-1/2	<b>120194</b>	WX6-1/2	215.00				
	6-3/4	<b>120328</b>	WX6-3/4	210.00				
	7	<b>120196</b>	WX7	184.90			1-3/4 x 3/4	1-3/4 x 1-1/2
	7-1/4	<b>120197</b>	WX7-1/4	184.40				
7-1/2	<b>120198</b>	WX7-1/2	175.80					
7-3/4	<b>120199</b>	WX7-3/4	172.00	2 x 1/4	2 x 1*			
8	<b>120200</b>	WX8	159.70					
<b>S</b>	▼ Bushings size available please call Baldor for information							

P/N's marked (+) are integral key bushings

Bore sizes marked (#) will be supplied with 1/2 in. wide keyway unless the 5/8 in. wide keyway is specified when ordering

\* Key furnished for these sizes ONLY

\*\* Key not furnished for mm bores sizes

## QD Reborable

QD Bush. Size	Sintered Steel		Cast Iron		Ductile Iron	
	Bore	P/N	Bore	P/N	Bore	P/N
JA	1/2	120050	–	–	–	–
SH	1/2	120051	–	–	1/2	119876
SDS	1/2	120052	–	–	1-7/16	119877
SD	1/2	120053	–	–	1-9/16	119878
SK	1/2	120054	–	–	2	119879
SF	1/2	120055	–	–	2-5/16	119880
E	–	–	7/8	120056	7/8	119881
F	–	–	1	120057	1	119882
J	–	–	1-1/2	120058	1-1/2	119883
M	–	–	2	119938	2	119884
N	–	–	2-7/16	119963	2-7/16	119885
P	–	–	3-7/16	119979	3-7/16	119886
W	–	–	4	120276	–	–
S	–	–	5-1/2	394059	–	–

**Note:** All reborable bushings are stocked without sawsplit to facilitate re-machining. Sawsplit must be made in bushing to allow it to compress for proper gripping of the shaft. Factory rebore and keyseat service as listed in MLP List Price book includes sawsplit.

### QD - MAXIMUM BORE CAPACITIES

QD Bush. Size	Sintered Steel			Cast Iron			Ductile Iron			
	Full Key	Shallow Key	Metric	Full Key	Shallow Key	Metric	Full Key	Shallow Key	No Key*	Metric
JA	1	1-1/16	25	–	–	–	1	1-3/16	1-1/4	25
SH	1-1/4	1-1/4	30	–	–	–	1-3/8	1-5/8	1-11/16	35
SDS	1-9/16	1-5/8	40	–	–	–	1-5/8	1-15/16	2	42
SD	1-9/16	1-9/16	40	–	–	–	1-11/16	1-15/16	2	42
SK	2	2-1/16	50	–	–	–	2-1/2	2-1/2	2-5/8	55
SF	2-1/4	2-3/8	55	–	–	–	2-5/16	2-15/16	2-15/16	65
E	–	–	–	2-3/4	3	70	2-7/8	3-1/2	3-1/2	89
F	–	–	–	3-1/4	3-7/16	90	3-1/4	3-15/16	4	101
J	–	–	–	3-3/4	3-7/8	100	3-3/4	4-1/2	4-1/2	114
M	–	–	–	4-3/4	5	120	4-3/4	5-1/2	5-1/2	139
N	–	–	–	5	5-1/4	130	5	6	6	149
P	–	–	–	5-1/2	7	160	5-1/2	7	7	177
W	–	–	–	6-1/2	7	165	6-1/2	8-1/2	8-1/2	216
S	–	–	–	8-1/4	8-1/4	209	8-1/4	10	10	250

**Note:** ISO standard method for measuring keyseat depth  
mm bore and keyway dimensions conform to ISO standard recommendation R773, for "free" fit

**Reference:**

1 inch = 25.4 millimeters

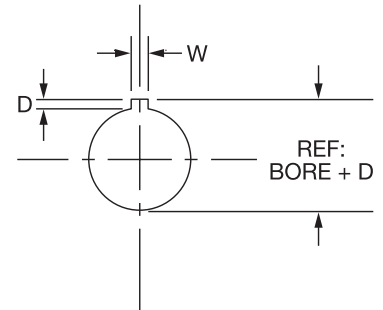
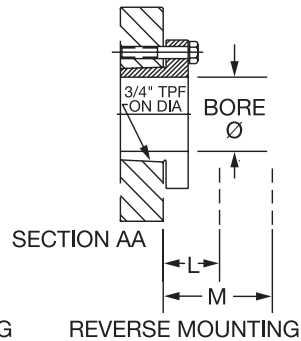
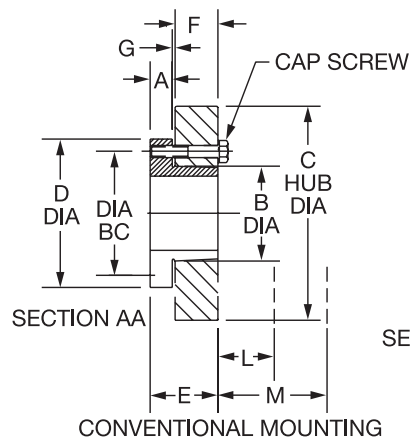
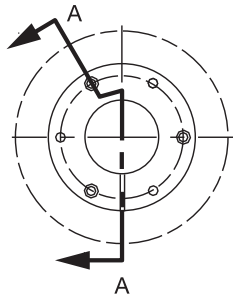
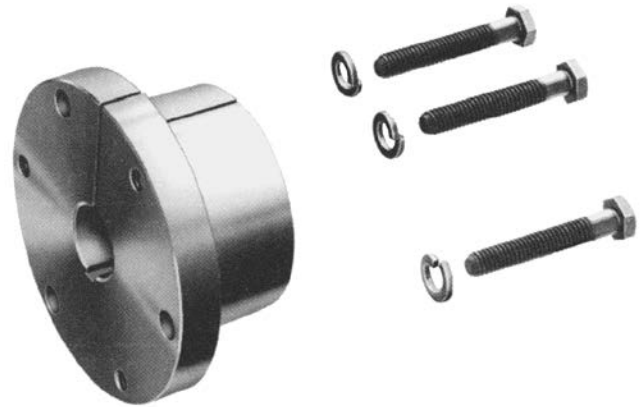
1 millimeter = .03937 inches

\* Verify torque capacity: Contact application engineering for assistance.

## QD Bushing - Metric Bore/Metric Hardware

### Features

- Dodge QD-style bushings stocked in popular finish bore sizes and minimum plain bore, for custom re boring.
- Dodge Metric QD bushings supplied with metric hex-head cap screws and lock washers.
- Stock reborable bushings available for custom re boring.
- Reboring and sawsplit available from Dodge for nominal extra charge.  
**NOTE:** Rebore by others must be sawsplit after rebore.
- Can be used with Dodge HTD sprockets for conventional mounting only (English thread hardware required for demounting).



## QD Bushing - Metric Bore/Metric Hardware

### STOCK REBORABLE BUSHINGS & SPECIFICATIONS

Bush. Sym.	Ductile Iron			Dimensions (mm)							
	Part No.	Max. Bore	Stock Bore	A mm	B mm	C Hub Dia.		D mm	E mm	F mm	G mm
						Iron	Steel				
JA	119860	25	12.70	7.90	35.10	99.80	57.20	50.80	25.40	14.20	3.10
SH	119862	36	12.70	10.90	47.80	120.70	76.20	66.80	33.30	20.60	3.10
SDS	119863	42	36.51	10.90	55.40	120.70	88.90	80.80	33.30	19.10	3.10
SD	119864	42	39.69	10.90	55.40	96.80	88.90	80.80	46.00	31.80	3.10
SK	119865	55	50.80	14.20	71.40	120.70	114.30	98.60	49.00	31.80	5.60
SF	119866	60	58.74	16.00	79.50	162.10	139.70	117.60	52.30	31.80	5.60
E	119867	82	22.20	22.40	97.30	190.50	165.10	152.40	69.90	41.40	6.40
F	119868	92	25.40	25.40	115.50	196.90	184.20	168.40	95.30	63.50	8.60
J	119869	104	38.10	28.70	130.60	228.60	203.20	184.20	117.60	80.80	9.70
M	119870	130	50.80	31.80	165.10	289.10	254.00	228.60	171.50	131.60	10.40

Bushing			Bolt			
Type	Torque Capacity (Nm.)	Center Dia. (mm)	Qty.	Length (mm)	Size	Bolt Torque (Nm.)
JA	113	42.3	3	25	M5 x 0.8	5.6
SH	395	57.2	3	35	M6 x 1	11.5
SDS	565	68.3	3	35	M6 x 1	11.5
SD	565	68.3	3	50	M6 x 1	11.5
SK	781	84.1	3	50	M8 x 1.25	20.5
SF	1243	98.4	3	50	M10 x 1.5	34.0
E	2260	127.0	3	70	M12 x 1.75	77.0
F	3390	142.9	3	100	M14 x 2	100.0
J	5085	158.8	3	120	M16 x 2	194.5
M	9600	200.0	4	180	M20 x 2.5	256.0

## QD Bushing - Metric Series

### METRIC QD BUSHING - METRIC HARDWARE

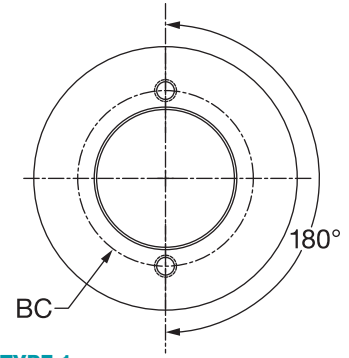
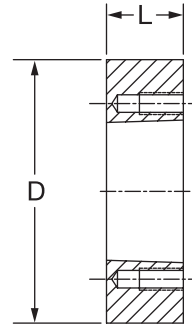
mm Bore	Part Numbers								mm Keyway	
	JA	SH	SDS	SD	SK	SF	E	F	W	D
14	117377	-	-	-	-	-	-	-	5	2.30
19	117371	-	-	-	-	-	-	-	6	2.80
20	117372	117378	117385	-	-	-	-	-	6	2.80
24	117373	117379	117386	117531	117540	-	-	-	8	3.30
25	117374*	117380	117387	117532	117541	117553	-	-	8	3.30
28	-	117381	117388	117533	117542	117554	-	-	8	3.30
30	-	117382	117389	117534	117543	117555	-	-	8	3.30
32	-	117383*	117390	117535	117544	117556	-	-	10	3.30
35	-	117384*	117391	117536	117545	117557	-	-	10	3.30
38	-	-	117392	117537	117546	117558	-	-	10	3.30
40	-	-	117393	117538	117547	117559	117571*	117583*	12	3.30
42	-	-	117394*	117539*	117548	117560	-	117584*	12	3.30
45	-	-	-	-	117549	117561	-	-	14	3.80
48	-	-	-	-	117550	117562	-	-	14	3.80
50	-	-	-	-	117551	117563	117575*	117587*	14	3.80
55	-	-	-	-	117552*	117564	117576*	117588*	16	4.30
60	-	-	-	-	-	117565*	-	117589*	18	4.40

Part numbers marked (\*) are ductile iron.

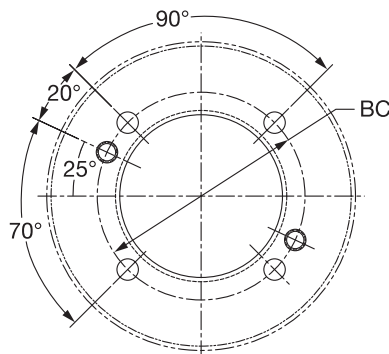
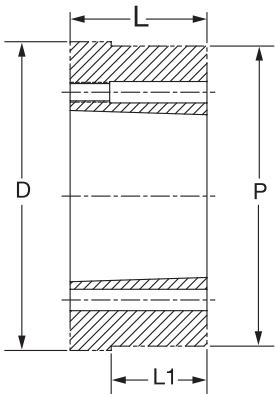
## QD Weld-On Hubs



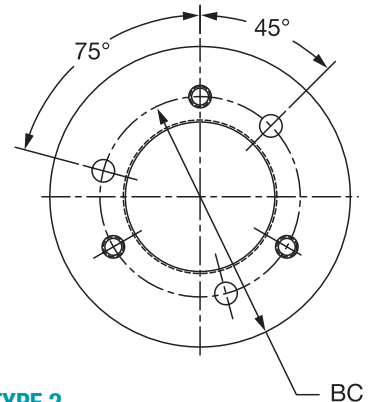
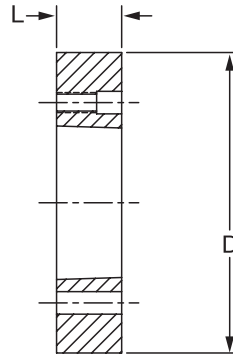
Dodge QD weld-on hubs are useful for welding into fan rotors, pulleys, plate sprockets, impellers, agitators, etc. which require secure mounting to the shaft. These hubs are made of low carbon steel for good welding compatibility. The data tabulation shows the standard QD bushings that are used with these hubs.



**TYPE 1**



**TYPE 3**



**TYPE 2**

Hub No.	Part No.	For Bush.	Bore Range	Wt. lbs.	Type	Dimensions					
						D*	L	BC	P	L1	Thread Size
JA-A	228466	JA	1/2 - 1-1/4	0.4	2	2.250	0.56	1.66	-	-	10-24 NC x 1
SH-A	228467	SH	1/2 - 1-11/16	1.0	2	3.000	0.81	2.25	-	-	1/4-20 NC x 1-3/8
SDS-A	228468	SDS	1/2 - 2	1.3	2	3.500	0.75	2.6	-	-	1/4-20 NC x 1-3/8
SK-A	228469	SK	1/2 - 2-5/8	3.0	2	4.375	1.25	3.31	-	-	5/16-18 NC x 2
SF-A	228470	SF	1/2 - 2-15/16	4.0	2	5.000	1.25	3.88	-	-	3/8-16 NC x 2
E-A	228471	E	7/8 - 3-1/2	9.0	2	6.250	1.63	5.00	-	-	1/2-13 NC x 2-3/4
F-A	228472	F	1 - 4	16.0	2	7.000	2.50	5.63	-	-	9/16-12 NC x 3-5/8
J-A	228473	J	1-1/2 - 4-1/2	22.5	2	7.750	3.19	6.25	-	-	5/8-11 NC x 4-1/2
M-A	228474	M	2 - 5-1/2	50.0	3	9.250	5.19	7.88	9.50	3.56	3/4-10 NC x 6-3/4
N-A	228475	N	2-7/16 - 5-7/8	75.0	3	10.250	6.25	8.50	10.50	4.50	7/8-9 NC x 8
P-A	228476	P	2-15/16 - 7	155.0	2	13.000	7.25	10.00	-	-	1-8 NC x 9-1/2
W-A	228477	W	4 - 8-1/2	300.0	2	15.500	9.00	12.75	-	-	1-1/16-7 NC x 11/12

Mounting:

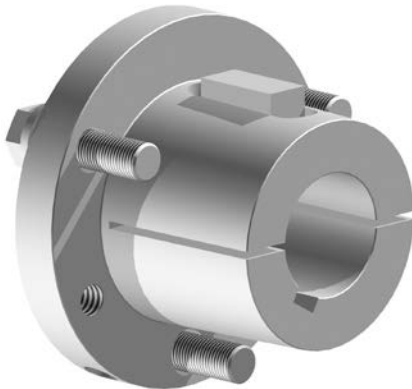
- Type 1: Reverse only
- Type 2: Conventional or reverse
- Type 3: Conventional only

\* Tolerance:

- QT-A Through J-A = (+0.000 in./-0.002 in.)
- M-A Through W-A = (+0.000 in./-0.003 in.)



## BK<sup>2</sup> Bushings



### Features:

- Keyed to both shaft and hub. External key provides positive drive with no torque on the cap screws.
- Double split barrel improves true concentricity - grips the shaft with positive clamp fit.
- Manufactured precisely to industry standards.
- The taper on all BK<sup>2</sup> bushings is 3/4 in. per foot on diameter.
- BK<sup>2</sup> bushing is the preferred bushing style in the HVAC industry.

### HOW TO ORDER

EXAMPLE: P1X1-7/16

P1	X	1-7/16
----	---	--------

**P1:** BUSHING SIZE

**1-1/16:** BORE SIZE (1-1/16 in.)  
 Inch bore sizes are designated with the whole inch followed by the fraction. For example, a 1.5 in. diameter bore would be 1-1/2 in.



**BK<sup>2</sup> Bushings**

BUSHINGS & HUBS

SHEAVES

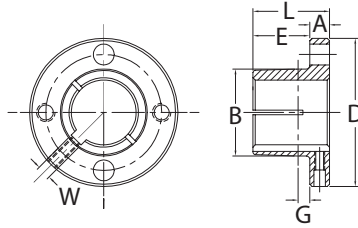
SYNCHRONOUS DRIVES

COUPLINGS

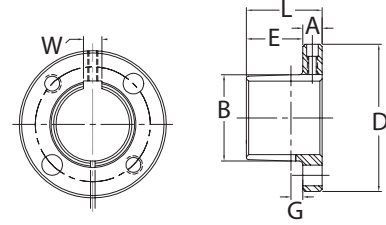
PART NUMBER INDEX



**Type 1**



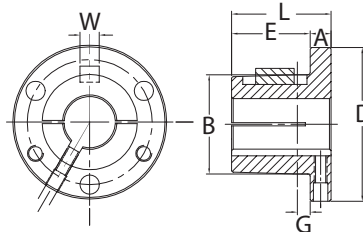
**G & H TYPE 1**



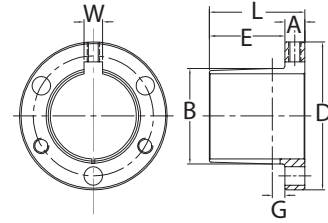
**G & H TYPE 2**



**Type 2**



**P, B, Q & R TYPE 1**



**P, B, Q & R TYPE 2**

**NOTE:** Setscrew in R bushings only. No setscrew in P, B & Q bushings.

Size	Dimensions									Bore range		Cap Screws		Av. Wt. lbs.	Wrench torque in. - lbs.
	L	A	E	B		D	M	W	G	Type 1	Type 2	No.	Size		
				Large End	Small End										
<b>G</b>	1	1/4	3/4	1.172	1.133	2	1-9/16	—	3/16	3/8 - 15/16	1	2	1/4-20 UNC X 5/8	.5	95
<b>H</b>	1-9/32	9/32	1	1.625	1.570	2-1/2	2	—	1/8	3/8 - 1-3/8	1-7/16 - 1-1/2	2	1/4-20 UNC X 7/8	.8	95
<b>P1</b>	1-15/16	13/32	1-17/32	1.9375	1.8555	3	2-7/16	3/8	7/32	1/2 - 1-7/16	1-1/2 - 1-3/4	3	5/16-18 UNC X 1	1.3	192
<b>P2</b>	2-15/16	13/32	2-17/32	1.9375	1.7930	3	2-7/16	3/8	7/32	3/4 - 1-7/16	1-1/2 - 1-3/4	3	5/16-18 UNC X 1	1.5	192
<b>B</b>	1-15/16	1/2	1-7/16	2.625	2.5567	—	3-1/8	1/2	7/32	1/2 - 1-15/16	2 - 2-7/16	3	5/16-18 UNC X 1-1/4	1.8	192
<b>Q1</b>	2-1/2	17/32	1-31/32	2.875	2.7657	4-1/8	3-3/8	1/2	7/32	5/8 - 2-1/16	2-1/8 - 2-11/16	3	3/8-16 UNC X 1-1/4	3.5	348
<b>Q2</b>	3-1/2	17/32	2-31/32	2.875	2.7032	4-1/8	3-3/8	1/2	7/32	1 - 2-1/16	2-1/8 - 2-5/8	3	3/8-16 UNC X 1-1/4	4.5	348
<b>R1</b>	2-7/8	5/8	2-1/4	4.000	3.8750	5-3/8	4-5/8	3/4	1/4	1-1/8 - 2-13/16	2-7/8 - 3-3/4	3	3/8-16 UNC X 1-3/4	7.5	348
<b>R2</b>	4-7/8	5/8	4-1/4	4.000	3.7500	5-3/8	4-5/8	3/4	1/4	1-3/8 - 2-13/16	2-7/8 - 3-5/8	3	3/8-16 UNC X 1-3/4	11	348

\* Please contact Baldor for lead time and availability.

**BK<sup>2</sup> Bushings**

**BK<sup>2</sup> BUSHINGS STANDARD STOCK BORES (INCHES)**

	Part Number	Description	Keyseat	Weight
	GX3/8	G 3/8	None	0.4
	GX7/16	G 7/16	None	0.4
	GX1/2	G 1/2	1/8 X 7/16	0.4
	GX9/16	G 9/16	1/8 X 7/16	0.4
<b>G</b>	GX5/8	G 5/8	3/16 X 3/32	0.3
	GX11/16	G 11/16	3/16 X 3/32	0.3
	GX3/4	G 3/4	3/16 X 3/32	0.3
	GX13/16	G 13/16	3/16 X 3/32	0.3
	GX7/8	G 7/8	3/16 X 3/32	0.3
	GX15/16	G 15/16	1/4 X 1/8	0.2
	GX1	N/A	1/4 X 1/8	0.2
		121129	H 3/8 kW	N/A
	121130	H 7/16 kW	N/A	0.82
	121131	H 1/2 kW	1/8 x 1/16	0.81
	121133	H 9/16 kW	1/8 x 1/16	0.8
	122050	H 5/8 kW	1/8 x 1/16	0.78
	121134	H 11/16 kW	1/8 x 1/16	0.76
	122051	H 3/4 kW	3/16 X 3/32	0.74
	121136	H 13/16 kW	3/16 X 3/32	0.7
	122052	H 7/8 kW	3/16 X 3/32	0.68
	121138	H 15/16 kW	3/16 X 3/32	0.66
	122053	H 1 kW	3/16 X 3/32	0.62
	121140	H 1-1/16 kW	3/16 X 3/32	0.59
	122054	H 1-1/8 kW	1/4 x 1/8	0.56
	122055	H 1-3/16 kW	1/4 x 1/8	0.52
	122056	H 1-1/4 kW	1/4 x 1/8	0.49
<b>H</b>	121144	H 1-5/16 kW	5/16 x 1/16	0.44
	121145	H 1-3/8 kW	5/16 x 1/16	0.43
	121146	H 1-7/16 kW	5/16 x 1/16	0.38
	121147	H 1-1/2 kW	3/8 x 1/16	0.34
	121148	H 14mm kW	5 x 2.3mm	0.79
	121165	H 15mm kW	5 x 2.3mm	0.78
	121166	H 16mm kW	5 x 2.3mm	0.77
	121167	H 18mm kW	6 x 2.8mm	0.75
	121149	H 19mm kW	6 x 2.8mm	0.74
	121469	H 20mm kW	6 x 2.8mm	0.73
	121168	H 22mm kW	6 x 2.8mm	0.7
	121150	H 24mm kW	8 X 3.3mm	0.66
	121151	H 25mm kW	8 X 3.3mm	0.63
	151152	H 28mm kW	8 X 3.3mm	0.57
	121153	H 30mm kW	8 X 3.3mm	0.53
	121154	H 32mm kW	10 X 3.3mm	0.5
	121173	H 35mm kW	10 X 3.3mm	0.45
	121174	H 38mm kW	10 X 1.3mm	0.34
	P1X1/2	P1 1/2	1/8 X 1/16	2.5
	P1X9/16	P1 9/16	1/8 X 1/16	1.8
	P1X5/8	P1 5/8	3/16 X 3/32	2.4
	P1X21/32	P1 21/32	3/16 X 3/32	1.7
	P1X11/16	P1 11/16	3/16 X 3/32	1.7
	P1X3/4	P1 3/4	3/16 X 3/32	2.3
	P1X25/32	P1 25/32	3/16 X 3/32	1.6
	P1X13/16	P1 13/16	3/16 X 3/32	1.6
	P1X7/8	P1 7/8	3/16 X 3/32	2.2
	P1X15/16	P1 15/16	1/4 X 1/8	2.1
<b>P1</b>	P1X31/32	P1 31/32	1/4 X 1/8	1.5
	P1X1	P1 1	1/4 X 1/8	2.1
	P1X1-1/16	P1 1-1/16	1/4 X 1/8	1.4
	P1X1-1/8	P1 1-1/8	1/4 X 1/8	2.0
	P1X1-3/16	P1 1-3/16	1/4 X 1/8	1.9
	P1X1-1/4	P1 1-1/4	1/4 X 1/8	2.0
	P1X1-5/16	P1 1-5/16	5/16 X 5/32	1.2
	P1X1-3/8	P1 1-3/8	5/16 X 5/32	1.8
	P1X1-3/8kW3/8	P1 1-3/8kW3/8	3/8 X 3/16	1.1
	P1X1-7/16	P1 1-7/16	3/8 X 3/16	1.7
	P1X1-1/2	P1 1-1/2	3/8 X 3/16	0.9

	Part Number	Description	Keyseat	Weight
<b>P1</b>	P1X1-9/16	P1 1-9/16	3/8 X 3/16	0.9
	P1X1-5/8	P1 1-5/8	3/8 X 3/16	0.8
	P1X1-11/16	P1 1-11/16	3/8 X 3/16	0.8
	P1X1-3/4	P1 1-3/4	3/8 X 3/16	0.7
	P2X3/4	P2 3/4	3/16 X 3/32	2.6
	P2X13/16	P2 13/16	3/16 X 3/32	2.2
	P2X7/8	P2 7/8	3/16 X 3/32	2.5
	P2X15/16	P2 15/16	1/4 X 1/8	2.0
	P2X1	P2 1	1/4 X 1/8	2.4
	P2X1-1/16	P2 1-1/16	1/4 X 1/8	1.9
	P2X1-1/8	P2 1-1/8	1/4 X 1/8	2.3
	P2X1-3/16	P2 1-3/16	1/4 X 1/8	1.7
<b>P2</b>	P2X1-1/4	P2 1-1/4	1/4 X 1/8	2.2
	P2X1-5/16	P2 1-5/16	5/16 X 5/32	1.5
	P2X1-3/8	P2 1-3/8	5/16 X 5/32	2.1
	P2X1-3/8kW3/8	P2 1-3/8kW3/8	3/8 X 3/16	1.4
	P2X1-7/16	P2 1-7/16	3/8 X 3/16	1.8
	P2X1-1/2	P2 1-1/2	3/8 X 3/16	1.6
	P2X1-9/16	P2 1-9/16	3/8 X 3/16	1.1
	P2X1-5/8	P2 1-5/8	3/8 X 3/16	1.5
	P2X1-11/16	P2 1-11/16	3/8 X 3/16	0.8
	P2X1-3/4	P2 1-3/4	3/8 X 3/16	1.4
	BX1/2	B 1/2	1/8 X 7/16	3.7
	BX9/16	B 9/16	1/8 X 7/16	3.2
BX5/8	B 5/8	3/16 X 3/32	3.6	
BX11/16	B 11/16	3/16 X 3/32	3.2	
BX3/4	B 3/4	3/16 X 3/32	3.5	
BX13/16	B 13/16	3/16 X 3/32	3.1	
BX7/8	B 7/8	3/16 X 3/32	3.5	
BX15/16	B 15/16	1/4 X 1/8	3.0	
BX1	B 1	1/4 X 1/8	3.4	
BX1-1/16	B 1-1/16	1/4 X 1/8	2.9	
BX1-1/8	B 1-1/8	1/4 X 1/8	3.3	
BX1-3/16	B 1-3/16	1/4 X 1/8	2.8	
BX1-1/4	B 1-1/4	1/4 X 1/8	3.2	
BX1-5/16	B 1-5/16	5/16 X 5/32	2.7	
BX1-3/8	B 1-3/8	5/16 X 5/32	2.6	
BX1-3/8kW3/8	B 1-3/8kW3/8	3/8 X 3/16	2.6	
<b>B</b>	BX1-7/16	B 1-7/16	3/8 X 3/16	2.5
	BX1-1/2	B 1-1/2	3/8 X 3/16	2.9
	BX1-9/16	B 1-9/16	3/8 X 3/16	2.4
	BX1-5/8	B 1-5/8	3/8 X 3/16	2.3
	BX1-11/16	N/A	3/8 X 3/16	2.2
	BX1-3/4	B 1-3/4	3/8 X 3/16	2.6
	BX1-13/16	B 1-13/16	1/2 X 1/4	2.1
	BX1-7/8	B 1-7/8	1/2 X 1/4	2.2
	BX1-15/16	B 1-15/16	1/2 X 1/4	1.9
	BX2	B 2	1/2 X 1/4	2.0
	BX2-1/16	B 2-1/16	1/2 X 1/4	1.7
	BX2-1/8	B 2-1/8	1/2 X 1/4	1.9
BX2-3/16	B 2-3/16	1/2 X 1/4	1.5	
BX2-1/4	B 2-1/4	1/2 X 1/4	1.7	
BX2-5/16	B 2-5/16	5/8 X 5/16	1.2	
BX2-3/8	B 2-3/8	5/8 X 5/16	1.6	
BX2-7/16	B 2-7/16	5/8 X 5/16	1.4	
<b>Q1</b>	Q1X5/8	Q1 5/8	3/16 X 3/32	4.8
	Q1X3/4	Q1 3/4	3/16 X 3/32	4.8
	Q1X13/16	Q1 13/16	3/16 X 3/32	4.7
	Q1X7/8	Q1 7/8	3/16 X 3/32	4.7
	Q1X15/16	Q1 15/16	1/4 X 1/8	4.6
	Q1X1	Q1 1	1/4 X 1/8	4.6
	Q1X1-1/16	Q1 1-1/16	1/4 X 1/8	4.5
	Q1X1-1/8	Q1 1-1/8	1/4 X 1/8	4.4
	Q1X1-3/16	Q1 1-3/16	1/4 X 1/8	4.3
	Q1X1-1/4	Q1 1-1/4	1/4 X 1/8	4.3

\* Please contact Baldor for lead time and availability.

## BK<sup>2</sup> Bushings

### BK<sup>2</sup> BUSHINGS STANDARD STOCK BORES (INCHES)

	Part Number	Description	Keyseat	Weight
Q1	Q1X1-5/16	Q1 1-5/16	5/16 X 5/32	4.2
	Q1X1-3/8	Q1 1-3/8	5/16 X 5/32	4.1
	Q1X1-3/8kW3/8	Q1 1-3/8kW3/8	3/8 X 3/16	4.1
	Q1X1-7/16	Q1 1-7/16	3/8 X 3/16	4.0
	Q1X1-1/2	Q1 1-1/2	3/8 X 3/16	3.9
	Q1X1-9/16	Q1 1-9/16	3/8 X 3/16	3.8
	Q1X1-5/8	Q1 1-5/8	3/8 X 3/16	3.7
	Q1X1-11/16	Q1 1-11/16	3/8 X 3/16	3.6
	Q1X1-3/4	Q1 1-3/4	3/8 X 3/16	3.5
	Q1X1-13/16	Q1 1-13/16	1/2 X 1/4	3.4
	Q1X1-7/8	Q1 1-7/8	1/2 X 1/4	3.3
	Q1X1-15/16	Q1 1-15/16	1/2 X 1/4	3.2
	Q1X2	Q1 2	1/2 X 1/4	3.0
	Q1X2-1/16	Q1 2-1/16	1/2 X 1/4	2.9
	Q1X2-1/8	Q1 2-1/8	1/2 X 1/4	2.8
	Q1X2-3/16	Q1 2-3/16	1/2 X 1/4	2.6
	Q1X2-1/4	Q1 2-1/4	1/2 X 1/4	2.5
	Q1X2-5/16	Q1 2-5/16	5/8 X 5/16	2.3
	Q1X2-3/8	Q1 2-3/8	5/8 X 5/16	2.2
	Q1X2-7/16	Q1 2-7/16	5/8 X 5/16	2.0
	Q1X2-1/2	Q1 2-1/2	5/8 X 5/16	1.9
	Q1X2-9/16	Q1 2-9/16	5/8 X 5/16	1.7
	Q1X2-5/8	Q1 2-5/8	5/8 X 5/16	1.6
	Q1X2-11/16	Q1 2-11/16	5/8 X 5/16	1.5
Q2	Q2X1	Q2 1	1/4 X 1/8	5.9
	Q2X1-1/16	Q2 1-1/16	1/4 X 1/8	5.8
	Q2X1-1/8	Q2 1-1/8	1/4 X 1/8	5.7
	Q2X1-3/16	Q2 1-3/16	1/4 X 1/8	5.6
	Q2X1-1/4	Q2 1-1/4	1/4 X 1/8	5.5
	Q2X1-5/16	Q2 1-5/16	5/16 X 5/32	5.4
	Q2X1-3/8	Q2 1-3/8	5/16 X 5/32	5.2
	Q2X1-3/8kW3/8	Q2 1-3/8kW3/8	3/8 X 3/16	5.2
	Q2X1-7/16	Q2 1-7/16	3/8 X 3/16	5.1
	Q2X1-1/2	Q2 1-1/2	3/8 X 3/16	5.0
	Q2X1-9/16	Q2 1-9/16	3/8 X 3/16	4.9
	Q2X1-5/8	Q2 1-5/8	3/8 X 3/16	4.7
	Q2X1-11/16	Q2 1-11/16	3/8 X 3/16	4.6
	Q2X1-3/4	Q2 1-3/4	3/8 X 3/16	4.4
	Q2X1-13/16	Q2 1-13/16	1/2 X 1/4	4.3
	Q2X1-7/8	Q2 1-7/8	1/2 X 1/4	4.1
	Q2X1-15/16	Q2 1-15/16	1/2 X 1/4	3.9
	Q2X2	Q2 2	1/2 X 1/4	3.7
	Q2X2-1/16	Q2 2-1/16	1/2 X 1/4	3.6
	Q2X2-1/8	Q2 2-1/8	1/2 X 1/4	3.4
	Q2X2-3/16	Q2 2-3/16	1/2 X 1/4	3.2
	Q2X2-1/4	Q2 2-1/4	1/2 X 1/4	3.0
	Q2X2-5/16	Q2 2-5/16	5/8 X 5/16	2.8
	Q2X2-3/8	Q2 2-3/8	5/8 X 5/16	2.6
Q2X2-7/16	Q2 2-7/16	5/8 X 5/16	2.3	
Q2X2-1/2	Q2 2-1/2	5/8 X 5/16	2.1	
Q2X2-9/16	Q2 2-9/16	5/8 X 5/16	1.9	
Q2X2-5/8	Q2 2-5/8	5/8 X 5/16	1.7	
R1	R1X1-1/8	R1 1-1/8	1/4 X 1/8	10.1
	R1X1-3/16	R1 1-3/16	1/4 X 1/8	10.0
	R1X1-1/4	R1 1-1/4	1/4 X 1/8	9.9
	R1X1-5/16	R1 1-5/16	5/16 X 5/32	9.8
	R1X1-3/8	R1 1-3/8	5/16 X 5/32	9.7
	R1X1-3/8kW3/8	R1 1-3/8kW3/8	3/8 X 3/16	9.7
	R1X1-7/16	R1 1-7/16	3/8 X 3/16	9.6
	R1X1-1/2	R1 1-1/2	3/8 X 3/16	9.5
	R1X1-9/16	R1 1-9/16	3/8 X 3/16	9.4
	R1X1-5/8	R1 1-5/8	3/8 X 3/16	9.3
	R1X1-11/16	R1 1-11/16	3/8 X 3/16	9.2
	R1X1-3/4	R1 1-3/4	3/8 X 3/16	9.0

	Part Number	Description	Keyseat	Weight
R1	R1X1-13/16	R1 1-13/16	1/2 X 1/4	8.9
	R1X1-7/8	R1 1-7/8	1/2 X 1/4	8.8
	R1X1-15/16	R1 1-15/16	1/2 X 1/4	8.6
	R1X2	R1 2	1/2 X 1/4	8.5
	R1X2-1/16	R1 2-1/16	1/2 X 1/4	8.3
	R1X2-1/8	R1 2-1/8	1/2 X 1/4	8.2
	R1X2-3/16	R1 2-3/16	1/2 X 1/4	8.0
	R1X2-1/4	R1 2-1/4	1/2 X 1/4	7.9
	R1X2-5/16	R1 2-5/16	5/8 X 5/16	7.7
	R1X2-3/8	R1 2-3/8	5/8 X 5/16	7.5
	R1X2-7/16	R1 2-7/16	5/8 X 5/16	7.3
	R1X2-1/2	R1 2-1/2	5/8 X 5/16	7.2
	R1X2-9/16	R1 2-9/16	5/8 X 5/16	7.0
	R1X2-5/8	R1 2-5/8	5/8 X 5/16	8.8
	R1X2-11/16	R1 2-11/16	5/8 X 5/16	6.6
	R1X2-3/4	R1 2-3/4	5/8 X 5/16	6.4
	R1X2-13/16	R1 2-13/16	3/4 X 3/8	6.2
	R1X2-7/8	R1 2-7/8	3/4 X 3/8	6.0
	R1X2-15/16	R1 2-15/16	3/4 X 3/8	4.4
	R1X3	R1 3	3/4 X 3/8	5.6
	R1X3-1/16	R1 3-1/16	3/4 X 3/8	5.3
	R1X3-1/8	R1 3-1/8	3/4 X 3/8	5.1
	R1X3-3/16	R1 3-3/16	3/4 X 3/8	4.9
	R1X3-1/4	R1 3-1/4	3/4 X 3/8	4.6
R1X3-3/8	R1 3-3/8	7/8 X 7/16	4.2	
R1X3-7/16	R1 3-7/16	7/8 X 7/16	3.9	
R1X3-1/2	R1 3-1/2	7/8 X 7/16	3.6	
R1X3-5/8	R1 3-5/8	7/8 X 7/16	3.1	
R1X3-11/16	R1 3-11/16	7/8 X 7/16	2.9	
R1X3-3/4	R1 3-3/4	7/8 X 7/16	2.6	
R2	R2X1-3/8	R2 1-3/8	5/16 X 5/32	14.9
	R2X1-7/16	R2 1-7/16	3/8 X 3/16	14.7
	R2X1-1/2	R2 1-1/2	3/8 X 3/16	14.5
	R2X1-9/16	R2 1-9/16	3/8 X 3/16	14.4
	R2X1-5/8	R2 1-5/8	3/8 X 3/16	14.2
	R2X1-11/16	R2 1-11/16	3/8 X 3/16	13.9
	R2X1-3/4	R2 1-3/4	3/8 X 3/16	13.7
	R2X1-13/16	R2 1-13/16	1/2 X 1/4	13.5
	R2X1-7/8	R2 1-7/8	1/2 X 1/4	13.3
	R2X1-15/16	R2 1-15/16	1/2 X 1/4	13.0
	R2X2	R2 2	1/2 X 1/4	12.8
	R2X2-1/16	R2 2-1/16	1/2 X 1/4	12.5
	R2X2-1/8	R2 2-1/8	1/2 X 1/4	12.3
	R2X2-3/16	R2 2-3/16	1/2 X 1/4	12.0
	R2X2-1/4	R2 2-1/4	1/2 X 1/4	11.7
	R2X2-5/16	R2 2-5/16	5/8 X 5/16	11.5
	R2X2-3/8	R2 2-3/8	5/8 X 5/16	11.2
	R2X2-7/16	R2 2-7/16	5/8 X 5/16	10.2
	R2X2-1/2	R2 2-1/2	5/8 X 5/16	10.6
	R2X2-9/16	R2 2-9/16	5/8 X 5/16	10.2
	R2X2-5/8	R2 2-5/8	5/8 X 5/16	9.9
	R2X2-11/16	R2 2-11/16	5/8 X 5/16	9.6
	R2X2-3/4	R2 2-3/4	5/8 X 5/16	9.4
	R2X2-13/16	R2 2-13/16	3/4 X 3/8	8.9
R2X2-7/8	R2 2-7/8	3/4 X 3/8	8.6	
R2X2-15/16	R2 2-15/16	3/4 X 3/8	8.5	
R2X3	R2 3	3/4 X 3/8	7.8	
R2X3-1/8	R2 3-1/8	3/4 X 3/8	7.1	
R2X3-3/16	R2 3-3/16	3/4 X 3/8	6.7	
R2X3-1/4	R2 3-1/4	3/4 X 3/8	6.3	
R2X3-3/8	R2 3-3/8	7/8 X 7/16	8.0	
R2X3-7/16	R2 3-7/16	7/8 X 7/16	7.7	
R2X3-1/2	R2 3-1/2	7/8 X 7/16	7.7	
R2X3-5/8	R2 3-5/8	7/8 X 7/16	7.5	

BUSHINGS & HUBS

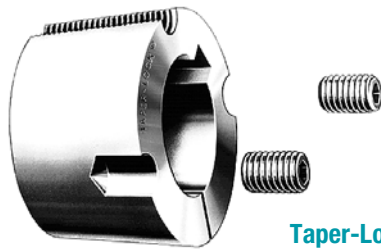
SHEAVES

SYNCHRONOUS DRIVES

COUPLINGS

PART NUMBER INDEX

## Taper-Lock® Bushings



Taper-Lock keyway-type bushing

- Clean, compact design
- An industry standard for over 40 years
- Easy-on, easy-off
- 8° taper-grips tight, holds tight, runs true, no wobble
- Total system concept: bushings, hubs, adapters and products
- World-wide acceptance and availability
- Flush mounting-no protruding parts

## Simple Mounting



### Easy On

- Insert bushing into sprocket
- Match holes (not threads).
- Put screws into holes that are farthest apart
- Slip entire unit onto shaft
- Set drive alignment and tighten screws



### Easy Off

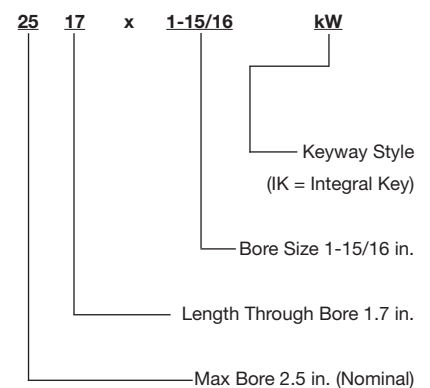
- Take both screws out entirely
- Insert one screw into hole that is threaded in the bushing only
- Use as jackscrew to disengage bushing

### Important!

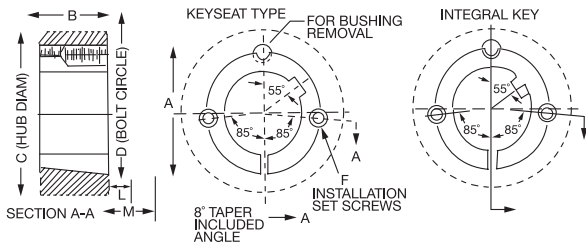
Do not use lubricants or anti-seize compounds on tapered bore, bushing suitcase, shaft or screws. Complete installation instructions are available on [www.baldor.com](http://www.baldor.com).

### Example Nomenclature

#### Taper-Lock Bushing



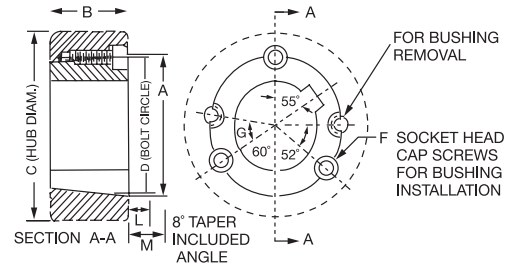
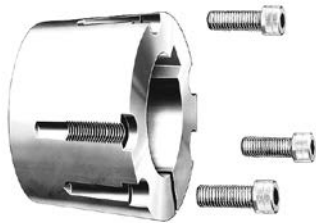
Taper-Lock® Bushings - Dimensions



DIMENSIONS FOR 1008 THROUGH 3030 TAPER-LOCK BUSHINGS

Bush No.	Ratings (lb.-in.)		A	B	C Hub Dia. ■		D	F †		L ●		M ★	
	Torque Capacity ◆	Wrench Torque Install Screws			CL 30	Steel		Qty.	Size	Std. Hex Key	Short Key ▲	Std. Hex Key	Short Key ▲
1008	1200	55	1.39	0.87	2.19	1.94	1.33	2	1/4 X 1/2	1.13	0.63	1.25	0.75
1108	1300	55	1.51	0.87	2.31	2.06	1.45	2	1/4 X 1/2	1.13	0.63	1.25	0.75
1210	3600	175	1.87	1.00	3.25	2.88	1.75	2	3/8 X 5/8	1.38	0.81	1.63	1.10
1215	3550	175	1.87	1.50	2.88	2.63	1.75	2	3/8 X 5/8	1.38	0.81	1.63	1.10
1310	3850	175	2.00	1.00	3.38	3.00	1.88	2	3/8 X 5/8	1.38	0.81	1.63	1.10
1610	4300	175	2.25	1.00	3.63	3.25	2.13	2	3/8 X 5/8	1.38	0.81	1.63	1.10
1615	4300	175	2.25	1.50	3.25	3.00	2.13	2	3/8 X 5/8	1.38	0.81	1.63	1.10
2012	7150	280	2.75	1.25	4.38	3.88	2.63	2	7/16 X 7/8	1.56	0.94	2.00	1.38
2517	11600	430	3.38	1.75	4.88	4.38	3.25	2	1/2 X 1	1.63	1.00	2.25	1.63
2525	11300	430	3.38	2.50	4.50	4.25	3.25	2	1/2 X 1	1.63	1.00	2.25	1.63
3020	24000	800	4.25	2.00	6.25	5.63	4.00	2	5/8 X 1-1/4	1.81	1.19	2.69	2.10
3030	24000	800	4.25	3.00	5.75	5.38	4.00	2	5/8 X 1-1/4	1.81	1.19	2.69	2.10

3535 Through 5050 Size



DIMENSIONS FOR 3525 THROUGH 5050 TAPER-LOCK BUSHINGS

Bush No.	Ratings (lb.-in.)		A	B	C Hub Dia. ■		D	F †		G	L ●		M ★	
	Torque Capacity ◆	Wrench Torque Install Screws			CL 30	Steel		Qty.	Size		Std. Hex Key	Short Key ▲	Std. Hex Key	Short Key ▲
3525	44800	1000	5.00	2.50	7.00	6.50	4.83	3	1/2 X 1-1/2	39	2.00	1.31	3.38	2.69
3535	44800	1000	5.00	3.50	7.00	6.50	4.83	3	1/2 X 1-1/2	39	2.00	1.31	3.38	2.69
4030	77300	1700	5.75	3.00	8.50	7.75	5.54	3	5/8 X 1-3/4	39	2.39	1.63	4.13	3.38
4040	77300	1700	5.75	4.00	8.50	7.75	5.54	3	5/8 X 1-3/4	40	2.39	1.63	4.13	3.38
4535	110000	2450	6.38	3.50	9.50	8.75	6.13	3	3/4 X 2	40	2.63	1.94	4.75	4.10
4545	110000	2450	6.38	4.50	9.50	8.75	6.13	3	3/4 X 2	40	2.63	1.94	4.75	4.10
5040	126000	3100	7.00	4.00	10.50	9.50	6.72	3	7/8 X 2-1/4	37	2.81	2.31	5.25	4.81
5050	126000	3100	7.00	5.00	10.50	9.50	6.72	3	7/8 X 2-1/4	37	2.81	2.31	5.25	4.81

Note: For dimensions required for machining hubs, consult factory.

- Hub diameter required depends on the application. Hub diameter shown is based on 30,000 P.S.I. minimum ultimate tensile strength.
- ◆ Important: refer to service factor information on page 26.
- Space required to tighten bushing. Also space required to loosen screws to permit removal of hub by puller.

★ Space required to remove bushing using jackscrews-no puller required.

▲ Standard hex key cut to minimum usable length.

† Use in position shown in drawing above for tightening bushing on shaft. When loosening bushing remove screws and use all except one in the other holes.

Note: Installation and maintenance instructions for Dodge products available at [www.baldor.com](http://www.baldor.com)

**Taper-Lock® Bushings - Stock Bore**

TL Bush. Size	Bore	P/N Keyway	Wt.	Bushing Keyway	Shaft Keyway REF	Key Size REF
1008	1/2	119176	0.3	1/8 x 1/16	1/8 x 1/16	1/8 x 1/8
	9/16	119177	0.3			
	5/8	117073	0.3			
	11/16	119179	0.2	3/16 x 3/32	3/16 x 3/32	3/16 x 3/16
	3/4	117150	0.2			
	13/16	119181	0.2			
	7/8	117074	0.2			
	15/16 #	119183	0.2	1/4 x 1/16	1/4 x 1/8	1/4 x 3/16 Δ
	1 #	117151	0.2			
	14mm	119565	0.3	5 x 2.3mm	5 x 5.3mm	5 x 5mm
	16mm	119566	0.3			
	18mm	119575	0.3			
	19mm	119569	0.3			
	20mm	119576	0.3	6 x 2.8mm	6 x 3.5mm	6 x 6mm
	22mm	119577	0.2			
24mm	119567	0.2				
25mm	119568	0.2	8 x 1.3mm	8 x 4mm	8 X 7mm	
1108	1/2	119365	0.3	1/8 x 1/4	1/8 x 1/4	1/8 x 1/8
	9/16	119366	0.3			
	5/8	117075	0.3			
	11/16	119368	0.2	-	3/16 x 3/32	3/16 x 3/16
	3/4	117152	0.2			
	13/16	119370	0.2			
	7/8	117076	0.2			
	15/16	119372	0.2	1/4 x 1/8	1/4 x 1/8	1/4 x 1/4
	1	117153	0.2			
	1-1/16 #	119374	0.2	1/4 x 1/16	1/4 x 1/8	1/4 x 3/16 Δ
	1-1/8 #	117077	0.1			
	14mm	119651	0.3	5 x 2.3mm	5 x 5.3mm	5 x 5mm
	16mm	119652	0.3			
	18mm	119653	0.3			
	19mm	119570	0.3			
20mm	119579	0.3	6 x 2.8mm	6 x 3.5mm	6 x 6mm	
22mm	119580	0.3				
24mm	119581	0.2				
25mm	119582	0.2	8 X 3.3mm	8 X 4mm	8 X 7mm	
1210	1/2	119191	0.6	1/8 x 1/16	1/8 x 1/16	1/8 x 1/8
	9/16	119192	0.6			
	5/8	117078	0.6			
	11/16	119194	0.5	3/16 x 3/32	3/16 x 3/32	3/16 x 3/16
	3/4	117155	0.5			
	13/16	119196	0.5			
	7/8	117079	0.5			
	15/16	119198	0.5	1/4 x 1/8	1/4 x 1/8	1/4 x 1/4
	1	117155	0.5			
	1-1/16	119200	0.4	1/4 x 1/8	1/4 x 1/8	1/4 x 1/4
	1-1/8	117080	0.4			
	1-3/16	117156	0.4	5 x 2.3mm	5 x 5.3mm	5 x 5mm
	1-1/4	117157	0.4			
	14mm	119583	0.6			
	16mm	119654	0.6			
18mm	119584	0.5	6 x 2.8mm	6 x 3.5mm	6 x 6mm	
19mm	119571	0.5				
20mm	119585	0.5				
22mm	119655	0.5	8 X 3.3mm	8 X 4mm	8 X 7mm	
24mm	119586	0.5				
25mm	119587	0.4				
28mm	119588	0.4				
30mm	119589	0.4	10 X 3.3mm	10 X 5mm	10 X 8mm	
32mm	119590	0.4				

Δ Key furnished for these sizes ONLY  
 + These sizes are STEEL  
 # Refer to torque capacity ratings on page 20. If service factor of 2.0 or greater is required consult Baldor.

TL Bush. Size	Bore	P/N Keyway	Wt.	Bushing Keyway	Shaft Keyway REF	Key Size REF	
1215	1/2	119001	0.9	1/8 x 1/16	1/8 x 1/16	1/8 x 1/8	
	9/16	119002	0.9				
	5/8	119003	0.8				
	11/16	119004	0.8	3/16 x 3/32	3/16 x 3/32	3/16 x 3/16	
	3/4	119005	0.8				
	13/16	119006	0.8				
	7/8	119007	0.8				
	15/16	119008	0.8	1/4 x 1/8	1/4 x 1/8	1/4 x 1/4	
	1	119009	0.7				
	1-1/16	119010	0.6	1/4 x 1/8	1/4 x 1/8	1/4 x 1/4	
	1-1/8	119011	0.6				
	1-3/16	119012	0.5				
	1-1/4	119013	0.5				
	1310	1/2	119390	0.7	1/8 x 1/16	1/8 x 1/16	1/8 x 1/8
		9/16	119391	0.7			
5/8		119392	0.7				
11/16		119393	0.7	3/16 x 3/32	3/16 x 3/32	3/16 x 3/16	
3/4		119394	0.7				
13/16		119395	0.7				
7/8		119396	0.7				
15/16		119397	0.6	1/4 x 1/8	1/4 x 1/8	1/4 x 1/4	
1		119398	0.6				
1-1/16		119399	0.6	1/4 x 1/8	1/4 x 1/8	1/4 x 1/4	
1-1/8		119400	0.6				
1-3/16		119401	0.6				
1-1/4		119402	0.6				
1-5/16 #		119403	0.6	5/16 x 5/32	5/16 x 5/32	5/16 x 5/16	
1-3/8 #		119404	0.6				
1-7/16 +	119438	0.6	3/8 x 1/8	3/8 x 3/16	3/8 x 5/16 Δ		
14mm	119656	0.7					
16mm	119657	0.7	5 x 2.3mm	5 x 5.3mm	5 x 5mm		
18mm	119658	0.7					
19mm	119572	0.7					
20mm	119659	0.6	6 x 2.8mm	6 x 3.5mm	6 x 6mm		
22mm	119660	0.6					
24mm	119591	0.6					
25mm	119592	0.5					
28mm	119593	0.5	8 X 3.3mm	8 X 4mm	8 X 7mm		
30mm	119594	0.5					
32mm	119595	0.4					
35mm	119596	0.4	10 X 3.3mm	10 X 5mm	10 X 8mm		
1610	1/2	119211	0.9	1/8 x 1/16	1/8 x 1/16	1/8 x 1/8	
	9/16	119212	0.9				
	5/8	117081	0.9				
	11/16	119214	0.9	-	-	-	
	3/4	117158	0.9	3/16 x 3/32	3/16 x 3/32	3/16 x 3/16	
	13/16	119216	0.9	-	-	-	
	7/8	117082	0.8	-	-	-	
	15/16	117083	0.8	1/4 x 1/8	1/4 x 1/8	1/4 x 1/4	
	1	117159	0.8				
	1-1/16	119220	0.8				
	1-1/8	117084	0.7				
	1-3/16	117160	0.7	5/16 x 5/32	5/16 x 5/32	5/16 x 5/16	
	1-1/4	117161	0.7				
	1-5/16	119224	0.6				
	1-3/8	117085	0.6	3/8 x 3/16	3/8 x 3/16	3/8 x 3/8	
1-7/16	117162	0.6					
1-1/2	117163	0.5	3/8 x 1/8	3/8 x 3/16	3/8 x 5/16 Δ		
1-9/16 #	119228	0.5					
1-5/8 #	117086	0.5	5 x 2.3mm	5 x 5.3mm	5 x 5mm		
1-11/16 +	117071	0.5					
14mm	119661	0.9					
16mm	119662	0.9					

BUSHINGS & HUBS  
SHEAVES  
SYNCHRONOUS DRIVES  
COUPLINGS  
PART NUMBER INDEX

**Taper-Lock® Bushings - Stock Bore**

BUSHINGS & HUBS

SHEAVES

SYNCHRONOUS DRIVES

COUPLINGS

PART NUMBER INDEX

TL Bush. Size	Bore	P/N Keyway	Wt.	Bushing Keyway	Shaft Keyway REF	Key Size REF
1610 (Con't.)	18mm	119663	0.9	6 x 2.8mm	6 x 3.5mm	6 x 6mm
	19mm	119573	0.8			
	20mm	119598	0.8			
	22mm	119236	0.8	8 X 3.3mm	8 X 4mm	8 X 7mm
	24mm	119599	0.8			
	25mm	119600	0.7			
	28mm	119601	0.7	10 X 3.3mm	10 X 5mm	10 X 8mm
	30mm	119602	0.7			
	32mm	119603	0.6			
	35mm	119604	0.6	12 X 3.3mm	12 X 5mm	12 X 8mm
	38mm	119605	0.5			
	40mm	119606	0.5			
42mm +	393002	0.5				
1615	1/2	119040	1.3	1/8 x 1/16	1/8 x 1/16	1/8 x 1/8
	9/16	119041	1.3			
	5/8	119042	1.3	3/16 x 3/32	3/16 x 3/32	3/16 x 3/16
	11/16	119043	1.2			
	3/4	119044	1.2			
	13/16	119045	1.2			
	7/8	119046	1.1			
	15/16	119047	1.1	1/4 x 1/8	1/4 x 1/8	1/4 x 1/4
	1	119048	1.1			
	1-1/16	119049	1			
	1-1/8	119050	1			
	1-3/16	119051	1			
	1-1/4	119052	0.9	5/16 x 5/32	5/16 x 5/32	5/16 x 5/16
	1-5/16	119053	0.8			
	1-3/8	119054	0.8			
	1-7/16	119055	0.7	3/8 x 3/16	3/8 x 3/16	3/8 x 3/8
	1-1/2	119056	0.7			
	1-9/16 #	119057	0.7			
	1-5/8 #	119058	0.6	3/8 x 1/8	3/8 x 3/16	3/8 x 5/16 Δ
	1-11/16 +	119068	0.6			
25mm	119039	0.7				
35mm	119038	0.7	8 X 3.3mm	8 X 4mm	8 X 7mm	
			10 X 3.3mm	10 X 5mm	10 X 8mm	
2012	1/2	119241	1.7	1/8 x 1/16	1/8 x 1/16	1/8 x 1/8
	9/16	119242	1.7			
	5/8	117087	1.7	3/16 x 3/32	3/16 x 3/32	3/16 x 3/16
	11/16	119244	1.7			
	3/4	117088	1.7			
	13/16	119246	1.7			
	7/8	117089	1.6			
	15/16	119248	1.6	1/4 x 1/8	1/4 x 1/8	1/4 x 1/4
	1	117164	1.6			
	1-1/16	119250	1.6			
	1-1/8	117090	1.5			
	1-3/16	117165	1.5			
	1-1/4	117166	1.4	5/16 x 5/32	5/16 x 5/32	5/16 x 5/16
	1-5/16	119254	1.3			
	1-3/8	117091	1.2			
	1-7/16	117167	1.2	3/8 x 3/16	3/8 x 3/16	3/8 x 3/8
	1-1/2	117168	1.2			
	1-9/16	119258	1.2			
	1-5/8	117092	1.2			
	1-11/16	117093	1.1			
1-3/4	117094	1	1/2 x 1/4	1/2 x 1/4	1/2 x 1/2	
1-13/16	119262	1				
1-7/8	117095	0.9				

TL Bush. Size	Bore	P/N Keyway	Wt.	Bushing Keyway	Shaft Keyway REF	Key Size REF
2012 (Con't.)	1-15/16 #	117169	0.9	1/2 x 3/16	1/2 x 1/4	1/2 x 7/16 Δ
	2 #	117170	0.9			
	2-1/8 +	117177	0.9			
	14mm	119664	1.7	5 x 2.3mm	5 x 5.3mm	5 x 5mm
	16mm	119665	1.7			
	18mm	119666	1.6	6 x 2.8mm	6 x 3.5mm	6 x 6mm
	19mm	119574	1.6			
	20mm	119607	1.6			
	22mm	119667	1.6			
	24mm	119608	1.5			
	25mm	119609	1.5	8 X 3.3mm	8 X 4mm	8 X 7mm
	28mm	119610	1.5			
30mm	119611	1.4				
32mm	119612	1.4	10 X 3.3mm	10 X 5mm	10 X 8mm	
35mm	119613	1.3				
38mm	119614	1.3				
40mm	119615	1.2	12 X 3.3mm	12 X 5mm	12 X 8mm	
42mm	119616	1.1				
45mm	119617	1	14 X 3.8mm	14 X 5.5mm	14 X 9mm	
48mm	119668	0.9				
1/2	119100	3.7	1/8 x 1/16	1/8 x 1/16	1/8 x 1/8	
5/8	119102	3.6	-	-	-	
11/16	119103	3.5	-	-	-	
3/4	119104	3.4	3/16 x 3/32	3/16 x 3/32	3/16 x 3/16	
13/16	119105	3.4	-	-	-	
7/8	119106	3.3	-	-	-	
15/16	119107	3.3	1/4 x 1/8	1/4 x 1/8	1/4 x 1/4	
1	119108	3.3				
1-1/16	119109	3.2				
1-1/8	119110	3.2				
1-3/16	119111	3.2				
1-1/4	119112	3.2	5/16 x 5/32	5/16 x 5/32	5/16 x 5/16	
1-5/16	119113	3.1				
1-3/8	119114	3.1				
1-7/16	119115	3	3/8 x 3/16	3/8 x 3/16	3/8 x 3/8	
1-1/2	119116	2.9				
1-9/16	119117	2.9				
1-5/8	119118	2.8				
1-11/16	119119	2.8				
1-3/4	119120	2.7	1/2 x 1/4	1/2 x 1/4	1/2 x 1/2	
1-13/16	119121	2.6				
1-7/8	119122	2.5				
1-15/16	117173	2.4				
2	117174	2.3				
2-1/16	119125	2.3	5/8 x 3/16	5/8 x 5/16	5/8 x 1/2 Δ	
2-1/8	117096	2.2				
2-3/16	117175	2.1				
2-1/4	117097	2				
2-5/16	119129	1.9				
2-3/8	117098	1.9	5 x 2.3mm	5 x 5.3mm	5 x 5mm	
2-7/16 #	117176	1.8				
2-1/2 #	117099	1.8				
2-5/8 +	117111	1.8				
2-11/16 +	117115	1.8				
14mm	119669	3.6	6 x 2.8mm	6 x 3.5mm	6 x 6mm	
16mm	119670	3.6				
18mm	119671	3.5				
19mm	119672	3.4	8 X 3.3mm	8 X 4mm	8 X 7mm	
20mm	119618	3.4				
22mm	119619	3.3				
24mm	119620	3.3				
25mm	119621	3.2				
28mm	119622	3.1	8 X 3.3mm	8 X 4mm	8 X 7mm	
30mm	119623	3.1				

Δ Key furnished for these sizes ONLY  
 + These sizes are STEEL  
 # Refer to torque capacity ratings on page 20. If service factor of 2.0 or greater is required consult Baldor.



**Taper-Lock® Bushings - Stock Bore**

TL Bush. Size	Bore	P/N Keyway	Wt.	Bushing Keyway	Shaft Keyway REF	Key Size REF
2517 (Con't.)	32mm	119624	3	10 X 3.3mm	10 X 5mm	10 X 8mm
	35mm	119625	2.9			
	38mm	119626	2.9			
	40mm	119627	2.8	12 X 3.3mm	12 X 5mm	12 X 8mm
	42mm	119628	2.6			
	45mm	119629	2.5	14 X 3.8mm	14 X 5.5mm	14 X 9mm
	48mm	119630	2.4			
	50mm	119640	2.3	16 X 4.3mm	16 X 6mm	16 X 10mm
	55mm	119641	2			
	60mm	119642	1.7	18 X 4.4mm	18 X 7mm	18 X 11mm
65mm	119643	1.4				
2525	3/4	119304	4.9	3/16 x 3/32	3/16 x 3/32	3/16 x 3/16
	7/8	119306	4.8			
	15/16	119307	4.8			
	1	119308	4.8	1/4 x 1/8	1/4 x 1/8	1/4 x 1/4
	1-1/8	119310	4.6			
	1-3/16	119311	4.5			
	1-1/4	119312	4.4			
	1-3/8	119314	4.2			
	1-7/16	119315	4.2	5/16 x 5/32	5/16 x 5/32	5/16 x 5/16
	1-1/2	119316	4			
	1-5/8	119318	3.8			
	1-11/16	119319	3.8			
	1-3/4	119320	3.7			
	1-13/16	119321	3.2	1/2 x 1/4	1/2 x 1/4	1/2 x 1/2
	1-7/8	119322	3.4			
	1-15/16	119323	3.2			
	2	119324	3.1			
	2-1/8	119326	2.9			
	2-3/16	119327	2.5	5/8 x 3/16	5/8 x 5/16	5/8 x 1/2 Δ
	2-1/4	119328	2.3			
	2-5/16	119329	2			
	2-3/8	119330	2			
	2-7/16	119331	2			
	2-1/2	119332	2			
	3020	7/8	117103	6.5	3/16 x 3/32	3/16 x 3/32
15/16		117101	6.5			
1		117102	6.5			
1-1/8		117104	6.4	1/4 x 1/8	1/4 x 1/8	1/4 x 1/4
1-3/16		117105	6.4			
1-1/4		117106	6.3			
1-5/16		117107	6.1			
1-3/8		117108	6			
1-7/16		117109	6	5/16 x 5/32	5/16 x 5/32	5/16 x 5/16
1-1/2		117110	5.9			
1-9/16		117135	5.9			
1-5/8		117112	5.9			
1-11/16		117113	5.7			
1-3/4		117114	5.6	3/8 x 3/16	3/8 x 3/16	3/8 x 3/8
1-13/16		117136	5.5			
1-7/8		117116	5.4			
1-15/16		117117	5.3			
2		117118	5.2			
2-1/16		117119	5	1/2 x 1/4	1/2 x 1/4	1/2 x 1/2
2-1/8		117120	5			
2-3/16		117121	4.9			
2-1/4		117122	4.8			
2-5/16		117137	4.6			
2-3/8		117124	4.5	5/8 x 5/16	5/8 x 5/16	5/8 x 5/8
2-7/16		117125	4.4			

Δ Key furnished for these sizes ONLY  
 + These sizes are STEEL  
 # Refer to torque capacity ratings on page 20. If service factor of 2.0 or greater is required consult Baldor.

TL Bush. Size	Bore	P/N Keyway	Wt.	Bushing Keyway	Shaft Keyway REF	Key Size REF
3020 (Con't.)	2-1/2	117126	4.3	5/8 x 5/16	5/8 x 5/16	5/8 x 5/8
	2-5/8	117128	4			
	2-11/16	117129	3.9			
	2-3/4	117130	3.7			
	2-13/16	117139	3.7			
	2-7/8	117132	3.6	3/4 x 1/4	3/4 x 3/8	3/4 x 5/8 Δ
	2-15/16 #	117133	3.6			
	3 #	117134	3.4			
	3-1/8 +	117178	3.3			
	3-3/16 +	117179	3.3			
	3-1/4 +	117180	3.3			
	24mm	119673	6.5			
	25mm	119674	6.5			
	28mm	119675	6.4			
	30mm	119676	6.4			
	32mm	119677	6.3	8 X 3.3mm	8 X 4mm	8 X 7mm
	35mm	119678	6			
	38mm	119679	5.9			
	40mm	119680	5.9			
	42mm	119681	5.8			
45mm	119682	5.6				
48mm	119644	5.5				
50mm	119645	5.2				
55mm	119646	5				
60mm	119647	4.9				
65mm	119648	4.3	12 X 3.3mm	12 X 5mm	12 X 8mm	
70mm	119649	3.7				
75mm	119650	3.5				
80mm +	117721	4				
15/16	117004	10				
1	117005	9.4	1/4 x 1/8	1/4 x 1/8	1/4 x 1/4	
1-1/8	117007	9.4				
1-3/16	117008	9.2				
1-1/4	117009	9				
1-5/16	117010	8.9				
1-3/8	117011	8.8	5/16 x 5/32	5/16 x 5/32	5/16 x 5/16	
1-7/16	117012	8.6				
1-1/2	117013	8.5				
1-9/16	117014	8.4				
1-5/8	117015	8.2				
1-11/16	117016	8	3/8 x 3/16	3/8 x 3/16	3/8 x 3/8	
1-3/4	117017	7.8				
1-13/16	117018	7.6				
1-7/8	117019	7.5				
1-15/16	117020	7.4				
2	117021	7.3	1/2 x 1/4	1/2 x 1/4	1/2 x 1/2	
2-1/16	117022	7.2				
2-1/8	117023	7.1				
2-3/16	117024	6.9				
2-1/4	117025	6.7				
2-5/16	117026	6.6	5/8 x 5/16	5/8 x 5/16	5/8 x 5/8	
2-3/8	117027	6.4				
2-7/16	117028	6.2				
2-1/2	117029	6.1				
2-5/8	117031	6				
2-11/16	117032	5.9	3/4 x 1/8	3/4 x 3/8	3/4 x 1/2 Δ	
2-3/4	117033	5.6				
2-7/8	117035	5.3				
2-15/16 #	117036	5				
3 #	117037	4.9				
3-1/8 +	117181	4.7	3/4 x 1/4	3/4 x 3/8	3/4 x 5/8 Δ	
3-3/16 +	117182	4.7				
3-1/4 +	117183	4.7				
28mm	119808	9.4				
32mm	119809	9				
38mm	119810	8.4	8 X 3.3mm	8 X 4mm	8 X 7mm	
48mm	119811	7.6				

BUSHINGS & HUBS  
SHEAVES  
SYNCHRONOUS DRIVES  
COUPLINGS  
PART NUMBER INDEX

**Taper-Lock® Bushings - Stock Bore**

BUSHINGS & HUBS

SHEAVES

SYNCHRONOUS DRIVES

COUPLINGS

PART NUMBER INDEX

TL Bush. Size	Bore	P/N Keyway	Wt.	Bushing Keyway	Shaft Keyway REF	Key Size REF
3030 (Con't.)	55mm	119812	6.9	16 X 4.3mm	16 X 6mm	16 X 10mm
	60mm	119813	6.4	18 X 4.4mm	18 X 7mm	18 X 11mm
	80mm +	119895	4	22 X 5.4mm	22 X 9mm	22 X 14mm
	1-3/16	119702	16	1/4 x 1/8	1/4 x 1/8	1/4 x 1/4
	1-1/4	119703	14.6			
	1-5/16	119791	14.6	5/16 x 5/32	5/16 x 5/32	5/16 x 5/16
	1-3/8	119704	14.3			
	1-7/16	119734	14.2			
	1-1/2	119705	14	3/8 x 3/16	3/8 x 3/16	3/8 x 3/8
	1-9/16	119792	14			
1-5/8	119735	14				
1-11/16	119706	13.9				
1-3/4	119707	13.4				
1-13/16	119793	13.3	1/2 x 1/4	1/2 x 1/4	1/2 x 1/2	
1-7/8	119708	13.2				
1-15/16	119709	13				
2	119710	13				
2-1/8	119711	12.6				
2-3/16	119712	12.4				
2-1/4	119713	12.3				
2-5/16	119736	12.2	5/8 x 5/16	5/8 x 5/16	5/8 x 5/8	
2-3/8	119714	12				
2-7/16	119715	11.7				
2-1/2	119716	11.5				
2-9/16	119795	11.4				
2-5/8	119717	11.1				
2-11/16	119718	10.7				
2-3/4	119719	10.4				
2-13/16	119796	10.3				
2-7/8	119720	10.1				
2-15/16	119721	10.5	3/4 x 3/8	3/4 x 3/8	3/4 x 3/4	
3	119722	9.5				
3-1/16	119797	9.4				
3-1/8	119723	9.3				
3-3/16	119724	8.6				
3-1/4	119725	8.8				
3-5/16	119737	8.6				
3-3/8	119726	8.5				
3-7/16	119727	8.2				
3-1/2	119728	8				
3-9/16	119798	8	7/8 x 3/16	7/8 x 7/16	7/8 x 5/8 Δ	
3-5/8 #	119729	7.9				
3-11/16 #	119730	7.9				
3-3/4 #	119731	7.9				
3-13/16 #	119799	7.9				
3-7/8 #	119732	7.9	1 x 1/4	1 x 1/2	1 x 3/4 Δ	
3-15/16 #	119733	7.9				
1-3/16	117207	15.2				1/4 x 1/8
1-1/4	117208	14.9				
1-3/8	117209	14.8	5/16 x 5/32	5/16 x 5/32	5/16 x 5/16	
1-7/16	117210	14.6				
1-1/2	117211	14.4				
1-5/8	117212	14.1	3/8 x 3/16	3/8 x 3/16	3/8 x 3/8	
1-11/16	117213	14				
1-3/4	117214	14				
1-7/8	117215	13.6				
1-15/16	117216	13.4	1/2 x 1/4	1/2 x 1/4	1/2 x 1/2	
2	117217	13.1				
2-1/8	117218	12.6				
2-3/16	117219	12.4				
2-1/4	117220	12.2				

TL Bush. Size	Bore	P/N Keyway	Wt.	Bushing Keyway	Shaft Keyway REF	Key Size REF
3535 (Con't.)	2-5/16	117237	12	5/8 x 5/16	-	-
	2-3/8	117221	11.7			
	2-7/16	117222	11.7			
	2-1/2	117223	11			
	2-5/8	117224	10.9			
	2-11/16	117225	10.7	3/4 x 3/8	-	-
	2-3/4	117226	10			
	2-7/8	117227	9.8			
	2-15/16	117228	9.7			
	3	117229	9.2			
	3-1/8	117230	9.2	7/8 x 1/8	7/8 x 7/16	7/8 x 9/16 Δ
	3-3/16	117231	8.8			
	3-1/4	117232	8.7			
	3-5/16	117236	8.6			
	3-3/8	117233	8.7			
	3-7/16	117234	8.3			
	3-1/2	117235	8			
	3-5/8 #	117707	7.1			
	3-11/16 #	117708	6.8			
	3-3/4 #	117709	6.4			
3-7/8 #	117710	6	1 x 1/4	1 x 1/2	1 x 3/4 Δ	
3-15/16 #	117703	5.6				
32mm	119814	14.6	10 X 3.3mm	10 X 5mm	10 X 8mm	
38mm	119815	14				
48mm	119816	13.2	14 X 3.8mm	14 X 5.5mm	14 X 9mm	
50mm	117738	13				
55mm	119817	11.1	16 X 4.3mm	16 X 6mm	16 X 10mm	
60mm	119683	11.1				
65mm	117737	11	18 X 4.4mm	18 X 7mm	18 X 11mm	
75mm	117722	10				
80mm	117297	10	20 X 4.9mm	20 X 7.5mm	20 X 12mm	
85mm	393170	10				
90mm	426013	10	22 X 5.4mm	22 X 9mm	22 X 14mm	
95mm	426013	10				
4030	1-7/16	119738	24	3/8 x 3/16	3/8 x 3/16	3/8 x 3/8
	1-1/2	119739	22			
	1-9/16	119770	21.9			
	1-5/8	119740	21.8			
	1-11/16	119771	21.5			
	1-3/4	119772	21.2	7/8 x 3/16	7/8 x 7/16	7/8 x 5/8 Δ
	1-13/16	119773	21			
	1-7/8	119774	20.9			
	1-15/16	119775	20.7			
	2	119741	20.6			
	2-1/16	119776	20.6	1/2 x 1/4	1/2 x 1/4	1/2 x 1/2
	2-1/8	119742	20.7			
	2-3/16	119743	20.4			
	2-1/4	119744	20.1			
	2-5/16	119777	20			
	2-3/8	119745	19.5	5/8 x 5/16	5/8 x 5/16	5/8 x 5/8
	2-7/16	119746	19.3			
	2-1/2	119778	19.2			
	2-9/16	119779	19.1			
	2-5/8	119747	19			
2-11/16	119780	18.4	3/4 x 3/8	3/4 x 3/8	3/4 x 3/4	
2-3/4	119748	17.7				
2-13/16	119781	17.5				
2-7/8	119749	17.2				
2-15/16	119750	17.2				
3	119751	17	3/4 x 3/8	3/4 x 3/8	3/4 x 3/4	
3-1/16	119782	16.8				
3-1/8	119752	16.5				
3-3/16	119783	15.9				
3-1/4	119753	15.4				

Δ Key furnished for these sizes ONLY  
 + These sizes are STEEL  
 # Refer to torque capacity ratings on page 20. If service factor of 2.0 or greater is required consult Baldor.

**Taper-Lock® Bushings - Stock Bore**

TL Bush. Size	Bore	P/N Keyway	Wt.	Bushing Keyway	Shaft Keyway REF	Key Size REF
4030 (Con't.)	3-5/16	119784	14.9	7/8 x 7/16	7/8 x 7/16	7/8 x 7/8
	3-3/8	119754	14.6			
	3-7/16	119755	14.1			
	3-1/2	119756	13.4			
	3-9/16	119785	13.3			
	3-5/8	119757	13.2			
	3-11/16	119786	13	7/8 x 3/16	7/8 x 7/16	7/8 x 5/8 Δ
	3-3/4	119758	12.7			
	3-13/16	119787	12.7	1 x 1/2	1 x 1/2	1 x 1
	3-7/8	119759	12.6	1 x 1/4	1 x 1/2	1 x 3/4 Δ
	3-15/16	119760	12.6			
	4	119761	12.6			
	4-1/8 #	119788	12.6			
	4-3/16 #	119762	12.6			
	4-1/4 #	119763	12.6			
4-3/8 #	119764	12.6				
4-7/16 #	119765	11.8				
4040	1-7/16	117310	24	3/8 x 3/16	3/8 x 3/16	3/8 x 3/8
	1-1/2	117311	22			
	1-5/8	117312	22			
	1-11/16	117313	21.9			
	1-3/4	117314	21.9			
	1-7/8	117315	21			
	1-15/16	117316	21.2	1/2 x 1/4	1/2 x 1/4	1/2 x 1/2
	2	117317	21.1			
	2-1/8	117318	20.6			
	2-3/16	117319	20.3			
	2-1/4	117320	20.2			
	2-3/8	117321	19.6			
	2-7/16	117322	19.3	5/8 x 5/16	5/8 x 5/16	5/8 x 5/8
	2-1/2	117323	18.8			
	2-5/8	117324	18.7			
	2-11/16	117325	18.3			
	2-3/4	117326	18.2			
	2-13/16	117267	17.8			
	2-7/8	117327	17.5	3/4 x 3/8	3/4 x 3/8	3/4 x 3/4
	2-15/16	117328	17.2			
	3	117329	16.8			
	3-1/8	117330	16.2			
	3-3/16	117331	15.8			
	3-1/4	117332	15.5			
	3-3/8	117333	14.8	-	-	-
	3-7/16	117334	14.4	7/8 x 7/16	7/8 x 7/16	7/8 x 7/8
	3-1/2	117335	14	-	-	-
	3-5/8	117337	13.5	-	-	-
	3-11/16	117340	13.5	7/8 x 3/16	7/8 x 7/16	7/8 x 5/8 Δ
	3-3/4	117336	13.5	-	-	-
	3-7/8	117341	12.9	-	-	-
	3-15/16	117338	12.5	-	-	-
	4	117352	12	-	-	-
	4-1/8 #	117714	11.2	1 x 1/4	1 x 1/2	1 x 3/4 Δ
	4-3/16 #	117715	10.7	-	-	-
4-1/4 #	117716	10.3	-	-	-	
4-3/8 #	117717	9.5	-	-	-	
4-7/16 #	117704	8.9	-	-	-	
48mm	119818	21	14 X 3.8mm	14 X 5.5mm	14 X 9mm	
55mm	119819	20.4	16 X 4.3mm	16 X 6mm	16 X 10mm	
60mm	119820	19.5	18 X 4.4mm	18 X 7mm	18 X 11mm	
75mm	117723	10	20 X 4.9mm	20 X 7.5mm	20 X 12mm	
80mm	117724	10	22 X 5.4mm	22 X 9mm	22 X 14mm	
90mm	117726	10	25 X 5.4mm	25 X 9mm	25 x 14mm	
95mm	117725	10				
100mm	117729	10				28 X 6.4mm

Δ Key furnished for these sizes ONLY  
 + These sizes are STEEL  
 # Refer to torque capacity ratings on page 20. If service factor of 2.0 or greater is required consult Baldor.

TL Bush. Size	Bore	P/N Keyway	Wt.	Bushing Keyway	Shaft Keyway REF	Key Size REF
4535	1-15/16	114765	31	1/2 x 1/4	1/2 x 1/4	1/2 x 1/2
	2	114766	29.7			
	2-1/16	114767	29.5			
	2-1/8	114768	29.3			
	2-3/16	114769	29			
	2-1/4	114770	28.8			
	2-5/16	114771	28.6	5/8 x 5/16	5/8 x 5/16	5/8 x 5/8
	2-3/8	114772	27.4			
	2-7/16	114773	28			
	2-1/2	114774	26.7			
	2-9/16	114775	26.4			
	2-5/8	114776	25.9			
	2-11/16	114777	25.4	3/4 x 3/8	3/4 x 3/8	3/4 x 3/4
	2-3/4	114778	25			
	2-13/16	114779	24.9			
	2-7/8	114780	24.8			
	2-15/16	114781	24.2			
	3	114782	24.2			
	3-1/16	114783	24.2	7/8 x 7/16	7/8 x 7/16	7/8 x 7/8
	3-1/8	114784	24.1			
	3-3/16	114785	23.8			
	3-1/4	114786	23.1			
	3-5/16	114787	22.7			
	3-3/8	114788	22.4			
	3-7/16	114789	21.5	1 x 1/2	1 x 1/2	1 x 1
	3-1/2	114790	21.3			
	3-9/16	114791	21.1			
	3-5/8	114792	21			
	3-11/16	114793	20.3			
	3-3/4	114794	19.9			
	3-13/16	114795	19.6	1 x 1/4	1 x 1/2	1 x 3/4 Δ
	3-7/8	114796	19.3			
	3-15/16	114797	18.9			
	4	114798	18.7			
	4-1/8	114799	18.6			
4-3/16	114800	18.5				
4-1/4	114801	17.8	1-1/4 x 1/4	1-1/4 x 5/8	1-1/4 x 7/8 Δ	
4-3/8	114802	16.8				
4-7/16	114803	15.4				
4-1/2	114804	15.3				
4-3/4 #	114805	15.2				
4-7/8 #	114806	15.1				
4-15/16 #	114807	14.9	1/2 x 1/4	1/2 x 1/4	1/2 x 1/2	
1-15/16	117416	29.9				
2	117417	29.8				
2-1/8	117849	29.8				
2-3/16	117419	29				
2-3/8	117421	28.2				
2-7/16	117422	27.9	5/8 x 5/16	5/8 x 5/16	5/8 x 5/8	
2-1/2	117850	27.5				
2-5/8	117424	27				
2-3/4	117426	26.5				
2-7/8	117427	25.7				
2-15/16	117428	25.3				
3	117429	25.2	3/4 x 3/8	3/4 x 3/8	3/4 x 3/4	
3-1/8	117430	24.3				
3-3/16	117431	24.2				
3-1/4	117432	23.9				
3-3/8	117433	22.8				
3-7/16	117434	22.6				
3-1/2	117435	22.1	7/8 x 7/16	7/8 x 7/16	7/8 x 7/8	
3-5/8	117413	21.2				
3-3/4	117436	20.3				
3-7/8	117437	19.5				
3-15/16	117438	19				
4	117439	18.6				
4-1/8	117444	17.5	1 x 1/2	1 x 1/2	1 x 1	
4-3/16	117443	17.1				
4-1/4	117441	17				
4-3/8	117442	16.9				
1 x 1/4						
1 x 1/2						

BUSHINGS & HUBS

SHEAVES

SYNCHRONOUS DRIVES

COUPLINGS

PART NUMBER INDEX

**Taper-Lock® Bushings - Stock Bore**

TL Bush. Size	Bore	P/N Keyway	Wt.	Bushing Keyway	Shaft Keyway REF	Key Size REF
4545 (Con't.)	4-7/16	117440	16.5	1 x 1/4	1 x 1/2	1 x 3/4 Δ
	4-1/2	117447	15.9			
	4-3/4 #	117718	13.9			
	4-7/8 #	117719	12.9	1-1/4 x 1/4	1-1/4 x 5/8	1-1/4 x 7/8 Δ
	4-15/16 #	117705	12.5	-	-	-
	2-7/16	114865	39.5	5/8 x 5/16	5/8 x 5/16	5/8 x 5/8
2-1/2	114866	38.3				
2-9/16	114867	37.7				
2-5/8	114868	37.1				
2-11/16	114869	36.9				
2-3/4	114870	36.6				
2-13/16	114871	36.5	3/4 x 3/8	3/4 x 3/8	3/4 x 3/4	
2-7/8	114872	36.4				
2-15/16	114873	36.2				
3	114874	35.6				
3-1/16	114875	35.2				
3-1/8	114876	34.8				
3-1/8	114877	33.9	7/8 x 7/16	7/8 x 7/16	7/8 x 7/8	
3-1/4	114878	33.2				
3-5/16	114879	33				
3-3/8	114880	32.7				
3-7/16	114881	32				
3-1/2	114882	31.7				
3-9/16	114883	31.4	1 x 1/2	1 x 1/2	1 x 1	
3-5/8	114884	31.1				
3-11/16	114885	30.4				
3-3/4	114886	29.7				
3-13/16	114887	29.4				
3-7/8	114888	29				
3-15/16	114889	28.7	1-1/4 x 1/4	1-1/4 x 5/8	1-1/4 x 7/8 Δ	
4	114890	27.8				
4-1/8	114891	27.5				
4-3/16	114892	27.2				
4-1/4	114893	27				
4-3/8	114894	26				
4-7/16	114895	25.1	1-1/4 x 1/4	1-1/4 x 5/8	1-1/4 x 7/8 Δ	
4-1/2	114896	23.6				
4-3/4	114897	22.9				
4-7/8	114898	22.2				
4-15/16	114899	20.6				
5	114900	20.5				

TL Bush. Size	Bore	P/N Keyway	Wt.	Bushing Keyway	Shaft Keyway REF	Key Size REF
5050	2-7/16	117458	39	5/8 x 5/16	5/8 x 5/16	5/8 x 5/8
	2-11/16	117450	37.4			
	2-15/16	117459	36			
	3-3/8	117452	33	7/8 x 7/16	7/8 x 7/16	7/8 x 7/8
	3-7/16	117460	32.6			
	3-5/8	117453	31.2			
	3-7/8	117454	29.3			
	3-15/16	117461	28.6			
	4	117466	28.3			
	4-1/4	117465	26.2	1 x 1/2	1 x 1/2	1 x 1
	4-3/8	117469	25			
	4-7/16	117462	24.4			
	4-1/2	117467	23.9			
	4-5/8	117734	23			
4-7/8	117468	22.3				
4-15/16	117463	21.4	1-1/4 x 1/4	1-1/4 x 5/8	1-1/4 x 7/8 Δ	
5	117464	20.9				
110mm	117736	26.2				

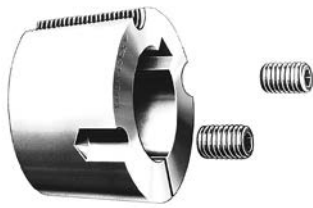
Δ Key furnished for these sizes ONLY

+ These sizes are STEEL

# Refer to torque capacity ratings on page 20. If service factor of 2.0 or greater is required consult Baldor.

Service Factor	Type of Loading
1.00	Light starting & steady running
1.50	Light starting & uneven running
2.00	Fairly heavy starting & steady or uneven running
2.50	Light or heavy starting & moderate shock running
3.00	Light or heavy starting & severe shock running, or reversing loads

**Taper-Lock® Bushings - Reborable**



**Note:**

All reborable bushings are stocked without sawsplit to facilitate re-machining. Sawsplit must be made in bushing to allow it to compress for proper gripping of the shaft. Factory rebore and keyseat service as listed in MLP price book includes sawsplit

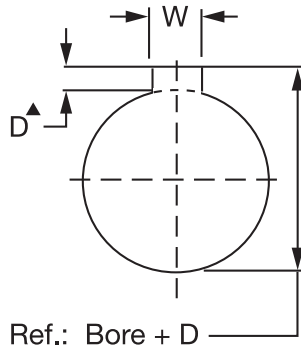
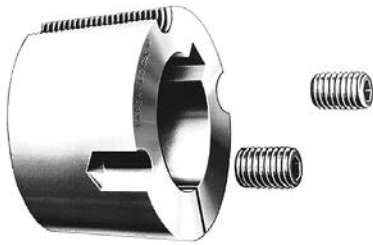
TL Bush. Size	Sintered Steel		Cast Iron		Ductile Iron	
	Bore	P/N	Bore	P/N	Bore	P/N
1008	1/2	119187	–	–	–	–
1108	1/2	119361	–	–	–	–
1210	1/2	119206	–	–	–	–
1215	1/2	119023	–	–	–	–
1310	1/2	119386	–	–	–	–
1610	1/2	119209	–	–	–	–
1615	1/2	119067	–	–	–	–
2012	1/2	119272	–	–	–	–
2517	1/2	119141	–	–	–	–
2525	–	–	–	–	–	–
3020	7/8	117147	–	–	–	–
3020	1-11/16	117149	–	–	–	–
3030	–	–	15/16	117045	–	–
3525	–	–	1-3/16	119700	1-3/16	119701
3535	–	–	1-3/16	117250	1-7/16	117205
4030	–	–	1-7/16	119789	1-15/16	119790
4040	–	–	1-7/16	117345	1-15/16	117307
4535	–	–	1-15/16	119766	2-7/16	119767
4545	–	–	1-15/16	117448	2-7/16	117414
5040	–	–	2-7/16	119768	2-15/16	119769
5050	–	–	2-7/16	117451	2-15/16	117455

**TAPER-LOCK BUSHINGS - MAXIMUM BORE CAPACITIES (INCHES)**

TL Bush. Size	Sintered Steel			Cast Iron			Ductile Iron		
	Full Key	Shallow Key	No Key*	Full Key	Shallow Key	No Key*	Full Key	Shallow Key	No Key*
1008	7/8	1	1	–	–	–	–	–	–
1108	1	1-1/8	1-1/8	–	–	–	–	–	–
1210	1-1/4	1-1/4	1-1/4	–	–	–	–	–	–
1215	1-1/4	1-1/4	1-1/4	–	–	–	–	–	–
1310	1-3/8	1-3/8	1-3/8	–	–	–	–	–	–
1610	1-1/2	1-5/8	1-5/8	–	–	–	–	–	–
1615	1-1/2	1-5/8	1-5/8	–	–	–	–	–	–
2012	1-7/8	2	2	–	–	–	–	–	–
2517	2-1/4	2-1/2	2-1/2	–	–	–	–	–	–
2525	–	–	–	2-1/4	2-1/2	2-1/2	–	–	–
3020	2-3/4	3	3	2-3/4	3	3	–	–	–
3030	–	–	–	2-3/4	3	3	–	–	–
3525	–	–	–	3-1/4	3-1/2	3-1/2	3-1/2	3-15/16	3-15/16
3535	–	–	–	3-1/4	3-1/2	3-1/2	3-1/2	3-15/16	3-15/16
4030	–	–	–	3-5/8	4	4	4	4-7/16	4-7/16
4040	–	–	–	3-5/8	4	4	4	4-7/16	4-7/16
4535	–	–	–	4-1/2	4-1/2	4-1/2	4-1/2	4-15/16	4-15/16
4545	–	–	–	4-1/2	4-1/2	4-1/2	4-1/2	4-15/16	4-15/16
5040	–	–	–	4-1/2	5	5	5	5-5/16	5-5/16
5050	–	–	–	4-1/2	5	5	5	5-5/16	5-5/16

\* Verify torque capacity: Contact application engineering for assistance

**Taper-Lock® Bushings - Reborable**



ISO standard method for measuring keyseat depth.

▲ Depth measured at centerline

**TAPER-LOCK BUSHINGS - MAXIMUM BORE CAPACITIES (METRIC)**

TL Bush. Size	Min. Bore	Sintered Steel			Cast Iron			Ductile Iron		
		Full Key	Shallow Key	No Key*	Full Key	Shallow Key	No Key*	Full Key	Shallow Key	No Key*
1008	13	22	25	25	-	-	-	-	-	-
1108	13	25	25	29	-	-	-	-	-	-
1210	13	32	32	32	-	-	-	-	-	-
1215	13	32	32	32	-	-	-	-	-	-
1310	13	35	35	35	-	-	-	-	-	-
1610	13	40	40	40	-	-	-	-	-	-
1615	13	39	39	39	-	-	-	-	-	-
2012	13	50	50	51	-	-	-	-	-	-
2517	13	60	60	64	-	-	-	-	-	-
2525	20	-	-	-	60	60	64	-	-	-
3020	24	75	75	76	-	-	-	-	-	-
3030	24	-	-	-	75	75	76	-	-	-
3525	31	-	-	-	90	90	90	95	100	100
3535	31	-	-	-	85	85	85	95	95	100
4030	37	-	-	-	100	100	102	110	115	115
4040	37	-	-	-	100	100	102	105	105	113
4535	50	-	-	-	110	110	114	125	125	125
4545	50	-	-	-	110	110	114	115	115	125
5040	61	-	-	-	125	125	127	127	127	134
5050	61	-	-	-	125	125	127	127	127	134

**Note:** ISO standard method for measuring keyseat depth  
mm bore and keyway dimensions conform to ISO standard recommendation R773, for "free" fit

**Reference:**

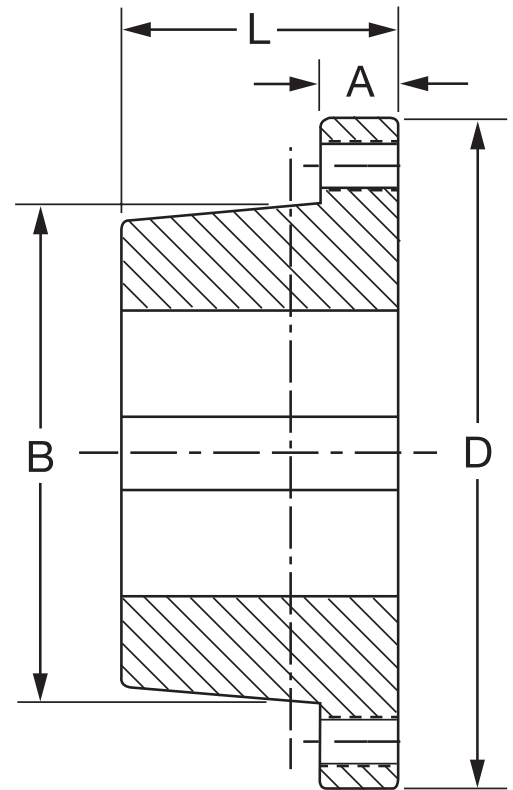
1 inch = 25.4 millimeters  
1 millimeter = .03937 inches

\* Verify torque capacity: Contact application engineering for assistance.

## XT Bushings

Usage: This product is specially designed for conveyor pulley applications.

- 2 in./ft. taper for easy on, easy off
- In steel and gray cast iron



### DIMENSIONS

Bushings Size	Dimensions - Inches						Recommended Wrench Torque (ft.-lbs.)	Approx. Weight	
	A	B	D	L	BC	No.			
XTB15	7/16	2.000	2-7/8	1-5/16	2-7/16	4	1/4 - 20NC x 1-1/4	7.9	0.7
XTB20	15/32	2.688	3-3/4	1-13/32	3-3/16	4	5/16 - 18NC x 1-1/2	16.7	1.5
XTB25	5/8	3.188	4-7/16	1-7/8	3-3/4	4	3/8 - 16NC x 2	29.2	2.6
XTB30	11/16	3.875	5-5/16	2-1/16	4-9/16	4	7/16 - 14NC x 2	45.8	4.2
XTB35	25/32	4.688	6-5/16	2-15/32	5-7/16	4	1/2 - 13NC x 2-1/2	70	7.4
XTB40	7/8	5.313	7-1/8	2-13/16	6-1/8	4	9/16 - 12NC x 2-1/2	100	10.5
XTB45	15/16	5.938	8	3-5/16	6-7/8	4	5/8 - 11NC x 2-1/2	140	14.8
XTB50	1	7.250	10-1/8	3-3/4	8-5/16	4	3/4 - 10NC x 3	250	27.8
XTB60	1-1/8	8.625	11-15/16	4-1/8	9-7/8	4	7/8 - 9NC x 3-1/2	400	42.8
XTB70	1-5/16	10.000	13-15/16	4-11/16	11-9/16	4	1 - 8NC x 3-1/2	600	66.3
XTB80	1-3/8	11.125	15-5/8	5-1/8	12-7/8	4	1-1/8 - 7NC x 4	750	85.7
XTB100	1-9/16	13.688	17-15/16	6-3/16	15-9/16	6	1-1/8 - 7NC x 4	750	146
XTB120	1-3/4	16.188	20-5/8	7-1/16	18-3/16	8	1-1/8 - 7NC x 4	750	216

XT Bushings

BUSHINGS & HUBS

SHEAVES

SYNCHRONOUS DRIVES

COUPLINGS

PART NUMBER INDEX

Bushing No.	Bore	Part No.	Wt.	Keyseat
XTB15	5/8	226830	.7	3/16 x 3/32
	3/4	226831	.7	3/16 x 3/32
	7/8	226832	.7	3/16 x 3/32
	1	226833	.7	1/4 x 1/8
	1-1/8	226834	.7	1/4 x 1/8
	1-3/16	226835	.7	1/4 x 1/8
	1-1/4	226836	.7	1/4 x 1/8
	1-7/16	226837	.7	3/8 x 1/8 ♦
XTB20	1-1/2	226838	.7	3/8 x 1/8 ♦
	3/4	226839	1.5	3/16 x 3/32
	1	226840	1.5	1/4 x 1/8
	1-3/16	226841	1.5	1/4 x 1/8
	1-1/4	226842	1.5	1/4 x 1/8
	1-7/16	226843	1.5	3/8 x 3/16
	1-1/2	226844	1.5	3/8 x 3/16
	1-11/16	226845	1.5	3/8 x 3/16
XTB25	1-15/16	226846	1.5	1/2 x 3/16 ♦
	2	226847	1.5	1/2 x 3/16 ♦
	1	226848	2.6	1/4 x 1/8
	1-3/16	226849	2.6	1/4 x 1/8
	1-1/4	226850	2.6	1/4 x 1/8
	1-7/16	226851	2.6	3/8 x 3/16
	1-1/2	226852	2.6	3/8 x 3/16
	1-11/16	226853	2.6	3/8 x 3/16
XTB30	1-15/16	226854	2.6	1/2 x 1/4
	2	226855	2.6	1/2 x 1/4
	2-3/16	226856	2.6	1/2 x 1/4
	2-7/16	226857	2.6	5/8 x 1/8 ♦
	1-7/16	226858	4.2	3/8 x 3/16
	1-1/2	226859	4.2	3/8 x 3/16
	1-11/16	226860	4.2	3/8 x 3/16
	1-15/16	226861	4.2	1/2 x 1/4
XTB35	2-3/16	226862	4.2	1/2 x 1/4
	2-7/16	226863	4.2	5/8 x 5/16
	2-11/16	226864	4.2	5/8 x 5/16
	2-15/16	226865	4.2	3/4 x 3/16 ♦
	1-15/16	226866	7.4	1/2 x 1/4
	2-3/16	226867	7.4	1/2 x 1/4
	2-7/16	226868	7.4	5/8 x 5/16
	2-1/2	226869	7.4	5/8 x 5/16
XTB40	2-11/16	226870	7.4	5/8 x 5/16
	2-15/16	226871	7.4	3/4 x 3/8
	3-7/16	226872	7.4	7/8 x 5/16

Bushing No.	Bore	Part No.	Wt.	Keyseat
XTB40	2-7/16	226873	10.5	5/8 x 5/16
	2-15/16	226874	10.5	3/4 x 3/8
	3-7/16	226875	10.5	7/8 x 7/16
	3-15/16	226876	10.5	1 x 3/8 ♦
XTB45	3-7/16	226877	14.8	7/8 x 7/16
	3-15/16	226878	14.8	1 x 1/2
	4-7/16	226879	14.8	1 x 3/8 ♦
XTB50	3-15/16	226880	27.8	1 x 1/2
	4-7/16	226881	27.8	1 x 1/2
XTB60	4-15/16	226882	27.8	1-1/4 x 5/8
	5-7/16	226883	42.8	1-1/4 x 5/8
	5-1/2	226884	42.8	1-1/4 x 5/8
	5-15/16	226885	42.8	1-1/2 x 3/4
XTB70	6	226886	42.8	1-1/2 x 3/4
	6-7/16	226887	66.3	1-1/2 x 3/4
	6-1/2	226888	66.3	1-1/2 x 3/4
	6-15/16	226889	66.3	1-3/4 x 3/4
XTB80	7	226890	66.3	1-3/4 x 3/4
	7-1/2	226891	85.7	1-3/4 x 3/4
	7-15/16	226892	85.7	2 x 3/4
	8	226893	85.7	2 x 3/4
XTB100	8-1/2	226894	146	2 x 3/4
	9	226895	146	2 x 3/4
	9-7/16	226896	146	2-1/2 x 7/8
	9-1/2	226897	146	2-1/2 x 7/8
XTB120	10	226898	146	2-1/2 x 7/8
	10-1/2	226899	216	2-1/2 x 7/8
	11	226900	216	2-1/2 x 7/8
	11-1/2	226901	216	3 x 1
	12	226902	216	3 x 1

♦ Key provided with these sizes only  
XTB50-XTB120 made from gray cast iron

REBORABLE XT BUSHINGS

Bushing	Part Number	Minimum Bore	Inch Max Bore
XTB15	226903	5/8	1.5
XTB20	226904	3/4	2.0
XTB25	226905	1	2.5
XTB30	226906	1-7/16	3.0
XTB35	226907	1-15/16	3.5
XTB40	226908	2-7/16	4.0
XTB45	226909	3-7/16	4.5
XTB50	226910	3-15/16	5.0
XTB60	226911	5-7/16	6.0
XTB70	226912	6-7/16	7.0
XTB80	226913	7-1/2	8.0
XTB100	226914	8-1/2	10.0
XTB120	226915	10-1/2	12.0



### XT Hubs

Usage: XT hubs are for use with the XT Bushing

- 2 in./ft. taper for easy on, easy off
- Made of low carbon steel for its excellent welding properties

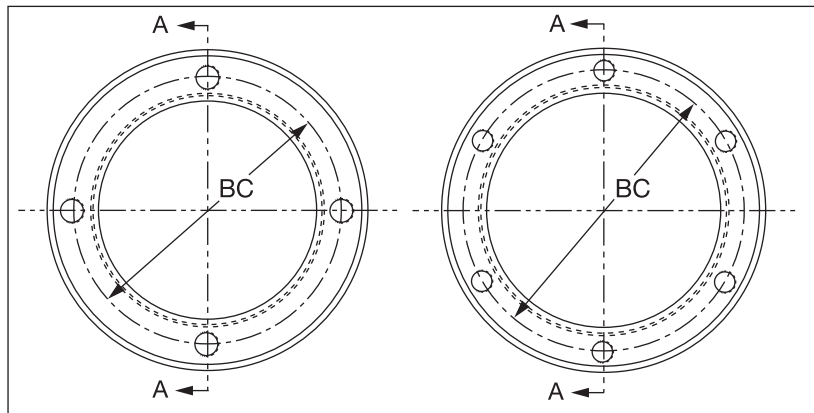


XT Hubs

DIMENSIONS

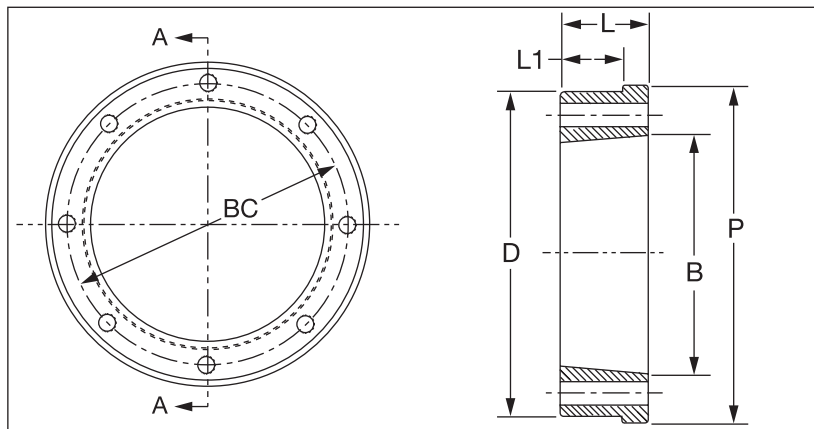
Hub No.	Fits Bushing	Part Number	Dimensions - Inches						Tapped Holes		Approx. Weight
			D*	L	B	P	L1	BC	No.	Size	
XTH15	XTB15	226916	2.875	5/8	2.000	3.190	7/16	2-7/16	4	14 - 20NC	0.7
XTH20	XTB20	226917	3.813	13/16	2.688	4.065	9/16	3-3/16	4	5/16 - 18NC	1.5
XTH25	XTB25	226918	4.375	1-1/8	3.188	4.690	13/16	3-3/4	4	3/8 - 16NC	2.6
XTH30	XTB30	226919	5.750	1-1/4	3.875	5.940	7/8	4-9/16	4	7/16 - 14NC	4.1
XTH35	XTB35	226920	6.345	1-1/2	4.688	6.565	1-1/16	5-7/16	4	1/2 - 13NC	6.6
XTH40	XTB40	226921	7.250	1-3/4	5.313	7.563	1-1/4	6-1/8	4	9/16 - 12NC	10.7
XTH45	XTB45	226922	8.000	2-1/8	5.938	8.315	1-1/2	6-7/8	4	5/8 - 11NC	15.4
XTH50	XTB50	226923	9.563	2-1/2	7.250	9.940	1-3/4	8-5/16	4	3/4 - 10NC	24.9
XTH60	XTB60	226924	11.250	2-3/4	8.625	11.690	1-15/16	9-7/8	4	7/8 - 9NC	36.4
XTH70	XTB70	226925	13.188	3-1/8	10.000	13.628	2-3/16	11-9/16	4	1 - 8NC	57.7
XTH80	XTB80	226926	14.625	3-7/16	11.125	14.940	2-7/16	12-7/8	4	1-1/8 - 7NC	75.6
XTH100	XTB100	226927	17.500	4-1/8	13.688	17.940	3	15-9/16	6	1-1/8 - 7NC	122
XTH120	XTB120	226928	20.500	4-13/16	16.188	20.940	3-1/2	18-3/16	8	1-1/8 - 7NC	189

\* Tolerance: (+0.000 in. / -0.005 in.)



XTH15 to XTH80  
Inclusive

XTH100



XTH120

Section A-A  
Taper 2 in. per ft.  
on Diameter -B-

## Light Duty Fixed Bore & Bush Type

### Fixed Bore: MA, 2MA, MB, 2MB



#### Features:

- All products have two setscrews, resulting in a tighter grip and improved performance.
- Bore range 1/2 in. to 1-7/16 in.
- 1 & 2 grooves, A-B & 3L-4L-5L belts

#### Note:

Metric, or additional special bores, are made to order items. Contact Baldor for price and delivery. For immediate use, Baldor suggests using an MAL, MBL, 2MAL or 2MBL for a stock product.

### Bush Type: MAL, 2MAL, MBL, 2MBL



#### Features:

- Can handle up to 20 HP @ 1750 RPM
- Bore range 1/2 in. to 1-1/2 in.
- 1 & 2 grooves, A-B & 3L-4L-5L belts

#### HOW TO ORDER

EXAMPLE: **2MB65X1-1/8**

**2MB65** X **1-1/8**

**2MB65:** SHEAVE SIZE

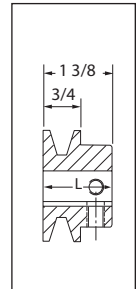
**1-1/8:** BORE SIZE (1-1/8 in.)

Inch bore sizes are designated with the whole inch followed by the fraction. For example, a 1.5 in. diameter bore would be 1-1/2 in. Metric bore sizes are designated with mm after the metric dimension (X 25mm).

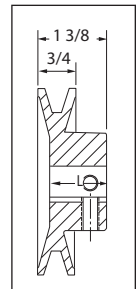
**Light Duty Fixed Bore - MA (A & 3L-4L V-Belts)**

**1 GROOVE**

Part No.	Cross Ref.	D.D. (3L) Belts	D.D. A (4L) Belts	O.D.	T	L	Max. Bore	App. Wt.
MA15*	-	-	1.30	1.55	1B	1-1/4	5/8	0.4
MA18*	AK17	-	1.50	1.75	1B	1-3/8	3/4	0.4
MA20	AK20	1.41	1.75	2.00	1B	1-3/8	7/8	0.7
MA21	AK21	1.51	1.85	2.10	1B	1-3/8	7/8	0.7
MA22	AK22	1.61	1.95	2.20	1B	1-3/8	7/8	0.8
MA23	AK23	1.71	2.05	2.30	1B	1-3/8	1	0.8
MA24	-	1.76	2.10	2.35	1B	1-3/8	7/8	0.8
MA25	AK25	1.91	2.25	2.50	2B	1-1/4	1-1/8	0.9
MA26	AK26	2.01	2.35	2.60	2B	1-1/4	1-1/8	0.9
MA27	AK27	2.11	2.45	2.70	2B	1-1/4	1-1/8	0.9
MA28	AK28	2.21	2.55	2.80	2B	1-1/4	1-1/8	0.9
MA30	AK30	2.46	2.80	3.05	2B	1-1/4	1-1/8	1.2
MA33	AK32	2.66	3.00	3.25	2B	1-1/4	1-1/8	1.5
MA35	AK34	2.86	3.20	3.45	2B	1-1/4	1-1/8	1.4
MA38	AK39	3.16	3.50	3.75	2W	1-1/8	1-1/8	1.5
MA40	AK41	3.36	3.70	3.95	2W	1-1/8	1-3/16	2.0
MA43	AK44	3.66	4.00	4.25	2W	1-1/8	1-3/16	2.0
MA45	AK46	3.86	4.20	4.45	2W	1-1/8	1-3/16	2.0
MA48	AK49	4.16	4.50	4.75	1A	1-3/8	1-3/16	2.0
MA50	AK51	4.36	4.70	4.95	1A	1-3/8	1-3/16	2.0
MA53	AK54	4.66	5.00	5.25	1A	1-3/8	1-3/16	2.5
MA55	AK56	4.86	5.20	5.45	1A	1-3/8	1-3/16	2.5
MA58	AK59	5.16	5.50	5.75	1A	1-3/8	1-3/16	2.5
MA60	AK61	5.36	5.70	5.95	1A	1-3/8	1-3/16	3.0
MA63	AK64	5.66	6.00	6.25	1A	1-3/8	1-1/4	3.0
MA65	AK66	5.86	6.20	6.45	1A	1-3/8	1-1/4	3.0
MA68	AK69	6.16	6.50	6.75	1A	1-3/8	1-1/4	3.0
MA70	AK71	6.36	6.70	6.95	1A	1-3/8	1-7/16	3.5
MA73	AK74	6.66	7.00	7.25	1A	1-3/8	1-7/16	3.5
MA78	AK79	7.16	7.50	7.75	1A	1-3/8	1-7/16	3.5
MA80	-	7.41	7.75	8.00	1A	1-3/8	1-7/16	3.5
MA83	AK84	7.66	8.00	8.25	1A	1-3/8	1-7/16	4.4
MA88	AK89	8.16	8.50	8.75	1A	1-3/8	1-7/16	4.5
MA90	-	8.41	8.75	9.00	1A	1-3/8	1-7/16	4.5
MA93	AK94	8.66	9.00	9.25	1A	1-3/8	1-7/16	5.4
MA98	AK99	9.16	9.50	9.75	1A	1-3/8	1-7/16	5.5
MA100	-	9.41	9.75	10.00	1A	1-3/8	1-7/16	5.5
MA103	AK104	9.66	10.00	10.25	1A	1-3/8	1-7/16	6.0
MA108	AK109	10.16	10.50	10.75	1A	1-3/8	1-7/16	6.0
MA110	-	10.41	10.75	11.00	1A	1-3/8	1-5/8	6.5
MA113	AK114	10.66	11.00	11.25	1A	1-3/8	1-7/16	6.5
MA120	-	11.41	11.75	12.00	1A	1-3/8	1-7/16	7.5
MA123	AK124	11.66	12.00	12.25	1A	1-3/8	1-7/16	7.0
MA133	AK134	12.66	13.00	13.25	1A	1-3/8	1-3/4	8.5
MA143	AK144	13.66	14.00	14.25	1A	1-3/8	1-3/4	9.0
MA153	AK155	14.66	15.00	15.25	1A	1-3/8	1-3/4	9.0
MA183	AK184	17.66	18.00	18.25	1A	1-3/8	1-7/8	14.0



**TYPE 1**



**TYPE 2**

P.D. for "A" (4L) Belts = O.D

P.D. for "3L" Belts = D.D.+0.25 = O.D.-0.34

\* DO NOT use 3L belts with MA15 and MA18 sheaves

BUSHINGS & HUBS

SHEAVES

SYNCHRONOUS DRIVES

COUPLINGS

PART NUMBER INDEX

**Light Duty Fixed Bore - MA (A & 3L-4L V-Belts)**

**1 GROOVE**

Part No.	Standard Bore Part Numbers										
	1/2	5/8	3/4	7/8	15/16	1	1-1/8	1-3/16	1-1/4	1-3/8	1-7/16
MA15*	MA15X1/2	MA15X5/8	-	-	-	-	-	-	-	-	-
MA18*	MA18X1/2	MA18X5/8	MA18X3/4	-	-	-	-	-	-	-	-
MA20	MA20X1/2	MA20X5/8	MA20X3/4	MA20X7/8	-	-	-	-	-	-	-
MA21	MA21X1/2	MA21X5/8	MA21X3/4	-	-	-	-	-	-	-	-
MA22	MA22X1/2	MA22X5/8	MA22X3/4	MA22X7/8	-	-	-	-	-	-	-
MA23	MA23X1/2	MA23X5/8	MA23X3/4	MA23X7/8	-	MA23X1	-	-	-	-	-
MA24	MA24X1/2	MA24X5/8	MA24X3/4	-	-	-	-	-	-	-	-
MA25	MA25X1/2	MA25X5/8	MA25X3/4	MA25X7/8	-	MA25X1	MA25X1-1/8	-	-	-	-
MA26	MA26X1/2	MA26X5/8	MA26X3/4	MA26X7/8	-	MA26X1	-	-	-	-	-
MA27	MA27X1/2	MA27X5/8	MA27X3/4	MA27X7/8	-	MA27X1	-	-	-	-	-
MA28	MA28X1/2	MA28X5/8	MA28X3/4	MA28X7/8	-	MA28X1	MA28X1-1/8	-	-	-	-
MA30	MA30X1/2	MA30X5/8	MA30X3/4	MA30X7/8	-	MA30X1	MA30X1-1/8	-	-	-	-
MA33	MA33X1/2	MA33X5/8	MA33X3/4	MA33X7/8	-	MA33X1	MA33X1-1/8	-	-	-	-
MA35	MA35X1/2	MA35X5/8	MA35X3/4	MA35X7/8	-	MA35X1	MA35X1-1/8	-	-	-	-
MA38	MA38X1/2	MA38X5/8	MA38X3/4	MA38X7/8	-	MA38X1	MA38X1-1/8	-	-	-	-
MA40	MA40X1/2	MA40X5/8	MA40X3/4	MA40X7/8	MA40X15/16	MA40X1	MA40X1-1/8	-	-	-	-
MA43	MA43X1/2	MA43X5/8	MA43X3/4	MA43X7/8	-	MA43X1	MA43X1-1/8	-	-	-	-
MA45	MA45X1/2	MA45X5/8	MA45X3/4	MA45X7/8	-	MA45X1	MA45X1-1/8	-	-	-	-
MA48	MA48X1/2	MA48X5/8	MA48X3/4	MA48X7/8	MA48X15/16	MA48X1	MA48X1-1/8	-	-	-	-
MA50	MA50X1/2	MA50X5/8	MA50X3/4	MA50X7/8	-	MA50X1	MA50X1-1/8	MA50X1-3/16	-	-	-
MA53	MA53X1/2	MA53X5/8	MA53X3/4	MA53X7/8	-	MA53X1	MA53X1-1/8	MA53X1-3/16	-	-	-
MA55	MA55X1/2	MA55X5/8	MA55X3/4	MA55X7/8	MA55X15/16	MA55X1	MA55X1-1/8	MA55X1-3/16	-	-	-
MA58	MA58X1/2	MA58X5/8	MA58X3/4	MA58X7/8	-	MA58X1	MA58X1-1/8	MA58X1-3/16	-	-	-
MA60	MA60X1/2	MA60X5/8	MA60X3/4	MA60X7/8	MA60X15/16	MA60X1	MA60X1-1/8	MA60X1-3/16	-	-	-
MA63	MA63X1/2	MA63X5/8	MA63X3/4	MA63X7/8	MA63X15/16	MA63X1	MA63X1-1/8	MA63X1-3/16	-	-	-
MA65	MA65X1/2	MA65X5/8	MA65X3/4	MA65X7/8	-	MA65X1	MA65X1-1/8	-	-	-	-
MA68	-	MA68X5/8	MA68X3/4	-	-	MA68X1	MA68X1-1/8	-	-	-	-
MA70	MA70X1/2	MA70X5/8	MA70X3/4	MA70X7/8	-	MA70X1	MA70X1-1/8	MA70X1-3/16	-	-	-
MA73	MA73X1/2	MA73X5/8	MA73X3/4	MA73X7/8	-	MA73X1	MA73X1-1/8	MA73X1-3/16	MA73X1-1/4	-	MA73X1-7/16
MA78	-	MA78X5/8	MA78X3/4	MA78X7/8	-	MA78X1	MA78X1-1/8	-	-	-	-
MA80	MA80X1/2	MA80X5/8	MA80X3/4	MA80X7/8	-	MA80X1	MA80X1-1/8	-	MA80X1-1/4	-	-
MA83	MA83X1/2	MA83X5/8	MA83X3/4	MA83X7/8	-	MA83X1	MA83X1-1/8	MA83X1-3/16	-	-	-
MA88	-	-	MA88X3/4	-	-	MA88X1	MA88X1-1/8	-	-	-	-
MA90	-	MA90X5/8	MA90X3/4	-	-	MA90X1	-	-	-	-	-
MA93	MA93X1/2	MA93X5/8	MA93X3/4	-	-	MA93X1	MA93X1-1/8	MA93X1-3/16	-	-	-
MA98	-	-	MA98X3/4	-	-	MA98X1	-	-	-	-	-
MA100	-	MA100X5/8	MA100X3/4	MA100X7/8	-	MA100X1	-	-	-	-	-
MA103	-	MA103X5/8	MA103X3/4	-	-	MA103X1	-	-	-	-	-
MA108	-	-	-	-	-	MA108X1	-	-	-	-	-
MA110	-	-	MA110X3/4	-	-	MA110X1	-	-	-	-	-
MA113	-	-	MA113X3/4	MA113X7/8	-	MA113X1	-	-	-	-	-
MA120	MA120X1/2	MA120X5/8	MA120X3/4	MA120X7/8	-	MA120X1	-	-	-	-	-
MA123	-	MA123X5/8	MA123X3/4	-	-	MA123X1	-	-	-	-	-
MA133	-	-	MA133X3/4	-	-	MA133X1	-	-	-	-	-
MA143	-	MA143X5/8	MA143X3/4	MA143X7/8	-	MA143X1	-	-	-	-	-
MA153	-	MA153X5/8	MA153X3/4	-	-	MA153X1	-	-	-	MA153X1-3/8	MA153X1-7/16
MA183	-	-	MA183X3/4	-	-	MA183X1	-	-	-	-	MA183X1-7/16

BUSHINGS & HUBS

SHEAVES

SYNCHRONOUS DRIVES

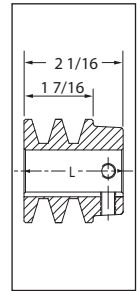
COUPLINGS

PART NUMBER INDEX

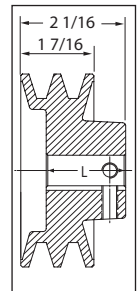
**Light Duty Fixed Bore - 2MA (A V-Belts)**

**2 GROOVES**

Part No.	Cross Ref.	D.D. A Belts	O.D.	T	L	Max. Bore	App. Wt.
2MA20	2AK20	1.75	2.00	3B	2-1/16	3/4	1.0
2MA22	2AK21	1.90	2.15	3B	2-1/16	7/8	1.0
2MA23	2AK22	2.00	2.25	3B	2-1/16	1	1.0
2MA24	2AK23	2.10	2.35	4B	1-7/8	1-1/8	1.0
2MA25	2AK25	2.30	2.55	4B	1-11/16	1-1/8	1.5
2MA27	2AK26	2.40	2.65	4B	1-7/8	1-1/8	1.5
2MA28	2AK27	2.50	2.75	4B	1-11/16	1-1/8	1.5
2MA29	2AK28	2.60	2.85	4B	1-11/16	1-1/8	1.5
2MA30	2AK30	2.80	3.05	4B	1-11/16	1-1/8	2.0
2MA33	2AK32	3.00	3.25	4B	1-5/8	1-1/8	2.0
2MA35	2AK34	3.20	3.45	4B	1-5/8	1-1/8	2.5
2MA38	2AK39	3.50	3.75	4B	1-5/8	1-3/16	3.0
2MA40	2AK41	3.70	3.95	4W	1-9/16	1-3/16	3.0
2MA43	2AK44	4.00	4.25	4W	1-9/16	1-3/16	3.0
2MA45	2AK46	4.20	4.45	4W	1-11/16	1-3/16	4.0
2MA48	2AK49	4.50	4.75	4W	1-9/16	1-3/8	3.5
2MA50	2AK51	4.70	4.95	4W	1-9/16	1-3/16	4.0
2MA53	2AK54	5.00	5.25	4W	1-9/16	1-3/8	4.0
2MA55	2AK56	5.20	5.45	4W	1-9/16	1-3/8	5.0
2MA58	2AK59	5.50	5.75	4W	1-9/16	1-3/8	5.0
2MA60	2AK61	5.70	5.95	4W	1-11/16	1-3/8	6.0
2MA63	2AK64	6.00	6.25	4A	1-9/16	1-11/16	5.5
2MA70	-	6.75	7.00	4A	1-9/16	1-11/16	6.0
2MA73	2AK74	7.00	7.25	4A	1-9/16	1-11/16	6.0
2MA80	-	7.75	8.00	4A	1-9/16	1-11/16	7.0
2MA83	2AK84	8.00	8.25	4A	1-9/16	1-7/16	8.0
2MA90	-	8.75	9.00	4A	1-9/16	1-7/16	8.5
2MA93	2AK94	9.00	9.25	4A	1-9/16	1-11/16	9.0
2MA100	-	9.75	10.00	4A	1-9/16	1-11/16	9.0
2MA103	2AK104	10.00	10.25	4A	1-9/16	1-11/16	10.0
2MA110	-	10.75	11.00	4A	1-9/16	1-11/16	10.0
2MA113	2AK114	11.00	11.25	4A	1-9/16	1-11/16	11.0
2MA120	-	11.75	12.00	4A	1-9/16	1-11/16	11.0
2MA123	2AK124	12.00	12.25	4A	1-19/32	1-11/16	12.0
2MA133	2AK134	13.00	13.25	4A	1-19/32	1-11/16	14.0
2MA143	2AK144	14.00	14.25	4A	1-9/16	1-11/16	15.0
2MA153	2AK155	15.00	15.25	4A	1-9/16	1-15/16	17.0
2MA183	2AK184	18.00	18.25	4A	1-17/32	1-7/16	19.0



**TYPE 3**



**TYPE 4**

P.D. for "A" Belts = O.D.

**KEYSEAT INFORMATION**

Bore Range	Keyseat
1/2	None
5/8 to 7/8	3/16 X 3/32
15/16 to 1-1/4	1/4 X 1/8
1-5/16 to 1-3/8	5/16 X 5/32
1-7/16 to 1-3/4	3/8 X 3/16

BUSHINGS & HUBS

SHEAVES

SYNCHRONOUS DRIVES

COUPLINGS

PART NUMBER INDEX

**Light Duty Fixed Bore - 2MA (A V-Belts)**

**2 GROOVES**

Part No.	Standard Bore Part Numbers										
	1/2	5/8	3/4	7/8	15/16	1	1-1/8	1-3/16	1-1/4	1-3/8	1-7/16
2MA20	2MA20X1/2	2MA20X5/8	2MA20X3/4	-	-	-	-	-	-	-	-
2MA22	2MA22X1/2	2MA22X5/8	2MA22X3/4	-	-	-	-	-	-	-	-
2MA23	2MA23X1/2	2MA23X5/8	2MA23X3/4	2MA23X7/8	-	2MA23X1	-	-	-	-	-
2MA24	-	2MA24X5/8	2MA24X3/4	2MA24X7/8	-	2MA24X1	-	-	-	-	-
2MA25	2MA25X1/2	2MA25X5/8	2MA25X3/4	2MA25X7/8	-	2MA25X1	2MA25X1-1/8	-	-	-	-
2MA27	2MA27X1/2	2MA27X5/8	2MA27X3/4	2MA27X7/8	-	2MA27X1	-	-	-	-	-
2MA28	-	2MA28X5/8	2MA28X3/4	2MA28X7/8	-	2MA28X1	2MA28X1-1/8	-	-	-	-
2MA29	-	2MA29X5/8	2MA29X3/4	2MA29X7/8	-	2MA29X1	-	-	-	-	-
2MA30	2MA30X1/2	2MA30X5/8	2MA30X3/4	2MA30X7/8	-	2MA30X1	2MA30X1-1/8	-	-	-	-
2MA33	-	2MA33X5/8	2MA33X3/4	2MA33X7/8	-	2MA33X1	2MA33X1-1/8	-	-	-	-
2MA35	-	2MA35X5/8	2MA35X3/4	2MA35X7/8	-	2MA35X1	2MA35X1-1/8	-	-	-	-
2MA38	-	2MA38X5/8	2MA38X3/4	2MA38X7/8	-	2MA38X1	2MA38X1-1/8	-	-	-	-
2MA40	-	2MA40X5/8	2MA40X3/4	2MA40X7/8	-	2MA40X1	2MA40X1-1/8	-	-	-	-
2MA43	-	2MA43X5/8	2MA43X3/4	2MA43X7/8	-	2MA43X1	2MA43X1-1/8	-	-	-	-
2MA45	-	2MA45X5/8	2MA45X3/4	2MA45X7/8	-	2MA45X1	2MA45X1-1/8	-	-	-	-
2MA48	-	-	2MA48X3/4	2MA48X7/8	-	2MA48X1	2MA48X1-1/8	-	-	2MA48X1-3/8	-
2MA50	-	2MA50X5/8	2MA50X3/4	2MA50X7/8	-	2MA50X1	2MA50X1-1/8	-	-	-	-
2MA53	-	2MA53X5/8	2MA53X3/4	2MA53X7/8	-	2MA53X1	2MA53X1-1/8	-	-	-	-
2MA55	-	2MA55X5/8	2MA55X3/4	2MA55X7/8	-	2MA55X1	2MA55X1-1/8	-	-	2MA55X1-3/8	-
2MA58	-	-	-	-	-	2MA58X1	2MA58X1-1/8	-	-	2MA58X1-3/8	-
2MA60	-	-	2MA60X3/4	2MA60X7/8	-	2MA60X1	2MA60X1-1/8	-	-	2MA60X1-3/8	-
2MA63	-	-	2MA63X3/4	-	-	2MA63X1	2MA63X1-1/8	2MA63X1-3/16	-	2MA63X1-3/8	2MA63X1-7/16
2MA70	-	-	2MA70X3/4	-	-	2MA70X1	2MA70X1-1/8	-	-	-	-
2MA73	-	-	2MA73X3/4	-	-	2MA73X1	2MA73X1-1/8	2MA73X1-3/16	-	2MA73X1-3/8	2MA73X1-7/16
2MA80	-	-	2MA80X3/4	-	-	2MA80X1	2MA80X1-1/8	-	-	-	-
2MA83	-	-	2MA83X3/4	-	2MA83X15/16	2MA83X1	2MA83X1-1/8	2MA83X1-3/16	-	2MA83X1-3/8	2MA83X1-7/16
2MA90	-	2MA90X5/8	-	-	-	2MA90X1	2MA90X1-1/8	-	-	-	-
2MA93	-	-	2MA93X3/4	-	-	2MA93X1	2MA93X1-1/8	2MA93X1-3/16	-	-	2MA93X1-7/16
2MA100	-	-	-	-	-	2MA100X1	-	-	-	-	-
2MA103	-	-	2MA103X3/4	-	-	2MA103X1	-	2MA103X1-3/16	-	-	2MA103X1-7/16
2MA110	-	-	-	-	-	-	-	-	-	-	-
2MA113	-	-	2MA113X3/4	-	-	2MA113X1	-	2MA113X1-3/16	-	-	2MA113X1-7/16
2MA120	-	-	-	2MA120X7/8	-	2MA120X1	-	-	-	-	-
2MA123	-	-	2MA123X3/4	-	-	2MA123X1	-	2MA123X1-3/16	-	-	2MA123X1-7/16
2MA133	-	-	-	-	-	-	-	2MA133X1-3/16	-	-	-
2MA143	-	-	-	-	-	2MA143X1	-	2MA143X1-3/16	-	-	2MA143X1-7/16
2MA153	-	-	-	-	-	-	-	2MA153X1-3/16	-	-	2MA153X1-7/16
2MA183	-	-	-	-	-	-	-	2MA183X1-3/16	-	-	2MA183X1-7/16

BUSHINGS & HUBS

SHEAVES

SYNCHRONOUS DRIVES

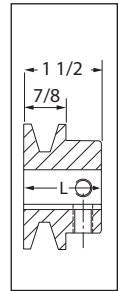
COUPLINGS

PART NUMBER INDEX

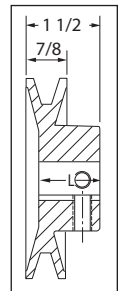
## Light Duty Fixed Bore - MB (A, B, 4L & 5L V-Belts)

### 1 GROOVE

Part No.	Cross Ref.	D.D. A (4L) Belts	D.D. B (5L) Belts	O.D.	T	L	Max. Bore	App. Wt.
MB20	—	*1.25	1.65	2.00	5B	1-1/2	3/4	0.5
MB23	—	*1.50	1.90	2.25	6B	1-11/35	1	1.0
MB24	BK24	1.65	2.05	2.40	6B	1-1/2	1	1.0
MB25	BK25	*1.75	2.15	2.50	5B	1-1/2	1-1/8	1.0
MB26	BK26	1.85	2.25	2.60	5B	1-1/2	1-1/8	1.0
MB28	BK27	1.95	2.35	2.70	6B	1-3/8	1-1/8	1.0
MB30	BK28	2.20	2.60	2.95	6B	1-3/8	1-1/8	1.0
MB31	BK30	2.40	2.80	3.15	6B	1-3/8	1-1/8	1.0
MB33	—	2.50	2.90	3.25	6B	1-3/8	1-1/8	1.0
MB34	BK32	2.60	3.00	3.35	6B	1-3/8	1-1/8	1.0
MB35	BK34	2.80	3.20	3.55	6B	1-3/8	1-1/8	1.5
MB38	BK36	3.00	3.40	3.75	6B	1-1/4	1-1/8	1.5
MB40	BK40	3.20	3.60	3.95	6B	1-1/4	1-3/16	2.0
MB43	BK45	3.50	3.90	4.25	6W	1-1/4	1-3/16	2.0
MB45	BK47	3.70	4.10	4.45	6W	1-1/4	1-3/16	2.0
MB48	BK50	4.00	4.40	4.75	5W	1-1/2	1-1/4	2.5
MB50	BK52	4.20	4.60	4.95	5W	1-1/2	1-1/4	2.5
MB53	BK55	4.50	4.90	5.25	6W	1-5/16	1-3/16	3.0
MB55	BK57	4.70	5.10	5.45	5A	1-1/2	1-1/4	2.5
MB58	BK60	5.00	5.40	5.75	5A	1-1/2	1-3/16	2.5
MB60	BK62	5.20	5.60	5.95	5A	1-1/2	1-1/2	2.5
MB63	BK65	5.50	5.90	6.25	5A	1-1/2	1-5/16	3.0
MB65	BK67	5.70	6.10	6.45	5A	1-1/2	1-1/4	3.0
MB68	BK70	6.00	6.40	6.75	5A	1-1/2	1-7/16	4.0
MB70	BK72	6.20	6.60	6.95	5A	1-1/2	1-1/4	3.5
MB73	BK75	6.50	6.90	7.25	5A	1-1/2	1-3/8	3.5
MB75	BK77	6.70	7.10	7.45	5A	1-1/2	1-1/2	4.0
MB78	BK80	7.00	7.40	7.75	5A	1-1/2	1-7/16	4.0
MB80	—	7.25	7.65	8.00	5A	1-1/2	1-7/16	4.0
MB83	BK85	7.50	7.90	8.25	5A	1-1/2	1-7/16	4.5
MB88	BK90	8.00	8.40	8.75	5A	1-1/2	1-7/16	5.0
MB90	—	8.25	8.65	9.00	5A	1-1/2	1-7/16	5.0
MB93	BK95	8.50	8.90	9.25	5A	1-1/2	1-7/16	5.5
MB98	BK100	9.00	9.40	9.75	5A	1-1/2	1-7/16	6.0
MB100	—	9.25	9.65	10.00	5A	1-1/2	1-7/16	6.0
MB103	BK105	9.50	9.90	10.25	5A	1-1/2	1-5/8	6.5
MB108	BK110	10.00	10.40	10.75	5A	1-1/2	1-7/16	7.0
MB110	—	10.25	10.65	11.00	5A	1-1/2	1-5/8	7.0
MB113	BK115	10.50	10.90	11.25	5A	1-1/2	1-5/8	8.0
MB118	BK120	11.00	11.40	11.75	5A	1-1/2	1-5/8	8.0
MB120	—	11.25	11.65	12.00	5A	1-1/2	1-5/8	8.0
MB128	BK130	12.00	12.40	12.75	5A	1-1/2	1-5/8	9.0
MB138	BK140	13.00	13.40	13.75	5A	1-1/2	1-5/8	10.0
MB158	BK160	15.00	15.40	15.75	5A	1-1/2	1-5/8	12.0
MB188	BK190	18.00	18.40	18.75	5A	1-1/2	1-5/8	14.0



TYPE 5



TYPE 6

P.D. for "A" (4L) Belts = Datum Dia. + 0.35 = O.D. - 0.40

P.D. for "B" (5L) Belts = O.D.

\* DO NOT use "A" or "4L" belts with these specific bores



**Light Duty Fixed Bore - MB (A, B, 4L & 5L V-Belts)**

**1 GROOVE**

Part No.	Standard Bore Part Numbers										
	1/2	5/8	3/4	7/8	15/16	1	1-1/8	1-3/16	1-1/4	1-3/8	1-7/16
MB20	MB20X1/2	MB20X5/8	MB20X3/4	-	-	-	-	-	-	-	-
MB23	MB23X1/2	MB23X5/8	MB23X3/4	MB23X7/8	-	MB23X1	-	-	-	-	-
MB24	MB24X1/2	MB24X5/8	MB24X3/4	MB24X7/8	-	-	-	-	-	-	-
MB25	MB25X1/2	MB25X5/8	MB25X3/4	MB25X7/8	-	MB25X1	MB25X1-1/8	-	-	-	-
MB26	MB26X1/2	MB26X5/8	MB26X3/4	MB26X7/8	-	MB26X1	-	-	-	-	-
MB28	MB28X1/2	MB28X5/8	MB28X3/4	MB28X7/8	-	MB28X1	MB28X1-1/8	-	-	-	-
MB30	MB30X1/2	MB30X5/8	MB30X3/4	MB30X7/8	-	MB30X1	MB30X1-1/8	-	-	-	-
MB31	MB31X1/2	MB31X5/8	MB31X3/4	MB31X7/8	-	MB31X1	MB31X1-1/8	-	-	-	-
MB33	MB33X1/2	MB33X5/8	MB33X3/4	MB33X7/8	-	MB33X1	MB33X1-1/8	-	-	-	-
MB34	MB34X1/2	MB34X5/8	MB34X3/4	MB34X7/8	-	MB34X1	MB34X1-1/8	-	-	-	-
MB35	MB35X1/2	MB35X5/8	MB35X3/4	MB35X7/8	-	MB35X1	MB35X1-1/8	-	-	-	-
MB38	MB38X1/2	MB38X5/8	MB38X3/4	MB38X7/8	-	MB38X1	MB38X1-1/8	-	-	-	-
MB40	MB40X1/2	MB40X5/8	MB40X3/4	MB40X7/8	-	MB40X1	MB40X1-1/8	MB40X1-3/16	-	-	-
MB43	MB43X1/2	MB43X5/8	MB43X3/4	MB43X7/8	-	MB43X1	MB43X1-1/8	-	-	-	-
MB45	MB45X1/2	MB45X5/8	MB45X3/4	MB45X7/8	-	MB45X1	MB45X1-1/8	-	-	-	-
MB48	MB48X1/2	MB48X5/8	MB48X3/4	MB48X7/8	MB48X15/16	MB48X1	MB48X1-1/8	-	-	-	-
MB50	MB50X1/2	MB50X5/8	MB50X3/4	MB50X7/8	-	MB50X1	MB50X1-1/8	MB50X1-3/16	-	-	-
MB53	MB53X1/2	MB53X5/8	MB53X3/4	MB53X7/8	-	MB53X1	MB53X1-1/8	MB53X1-3/16	-	-	-
MB55	-	MB55X5/8	MB55X3/4	MB55X7/8	-	MB55X1	MB55X1-1/8	MB55X1-3/16	MB55X1-1/4	-	-
MB58	-	MB58X5/8	MB58X3/4	MB58X7/8	-	MB58X1	MB58X1-1/8	MB58X1-3/16	-	-	-
MB60	MB60X1/2	MB60X5/8	MB60X3/4	MB60X7/8	-	MB60X1	MB60X1-1/8	MB60X1-3/16	-	-	-
MB63	-	MB63X5/8	MB63X3/4	-	-	MB63X1	MB63X1-1/8	-	-	-	-
MB65	-	MB65X5/8	MB65X3/4	MB65X7/8	-	MB65X1	MB65X1-1/8	-	-	-	-
MB68	-	MB68X5/8	MB68X3/4	-	-	MB68X1	MB68X1-1/8	MB68X1-3/16	-	-	-
MB70	-	-	MB70X3/4	-	-	MB70X1	MB70X1-1/8	MB70X1-3/16	-	-	MB70X1-7/16
MB73	-	-	MB73X3/4	-	-	MB73X1	MB73X1-1/8	MB73X1-3/16	-	-	-
MB75	-	-	MB75X3/4	-	-	MB75X1	MB75X1-1/8	-	-	MB75X1-3/8	-
MB78	-	MB78X5/8	MB78X3/4	MB78X7/8	-	MB78X1	MB78X1-1/8	MB78X1-3/16	MB78X1-1/4	MB78X1-3/8	MB78X1-7/16
MB80	-	-	MB80X3/4	MB80X7/8	-	MB80X1	MB80X1-1/8	-	-	-	-
MB83	-	-	MB83X3/4	-	-	MB83X1	MB83X1-1/8	-	-	MB83X1-3/8	MB83X1-7/16
MB88	-	MB88X5/8	MB88X3/4	MB88X7/8	MB88X15/16	MB88X1	MB88X1-1/8	MB88X1-3/16	-	-	MB88X1-7/16
MB90	-	-	MB90X3/4	-	-	MB90X1	-	-	-	-	MB90X1-7/16
MB93	-	-	MB93X3/4	-	-	MB93X1	MB93X1-1/8	-	-	MB93X1-3/8	MB93X1-7/16
MB98	-	-	MB98X3/4	MB98X7/8	MB98X15/16	MB98X1	MB98X1-1/8	MB98X1-3/16	-	-	MB98X1-7/16
MB100	-	MB100X5/8	MB100X3/4	-	-	MB100X1	MB100X1-1/8	MB100X1-3/16	-	MB100X1-3/8	-
MB103	-	-	-	-	-	MB103X1	-	-	-	-	-
MB108	-	-	MB108X3/4	-	-	MB108X1	MB108X1-1/8	MB108X1-3/16	-	MB108X1-3/8	MB108X1-7/16
MB110	-	-	-	-	-	MB110X1	-	-	-	-	MB110X1-7/16
MB113	-	-	MB113X3/4	-	-	MB113X1	-	-	-	-	MB113X1-7/16
MB118	-	-	MB118X3/4	-	-	MB118X1	-	MB118X1-3/16	MB118X1-1/4	-	MB118X1-7/16
MB120	-	-	-	-	-	MB120X1	-	MB120X1-3/16	-	-	MB120X1-7/16
MB128	-	-	MB128X3/4	-	-	MB128X1	MB128X1-1/8	MB128X1-3/16	MB128X1-1/4	-	MB128X1-7/16
MB138	-	-	MB138X3/4	-	-	MB138X1	MB138X1-1/8	MB138X1-3/16	-	-	MB138X1-7/16
MB158	-	-	-	-	-	MB158X1	MB158X1-1/8	MB158X1-3/16	MB158X1-1/4	-	MB158X1-7/16
MB188	-	-	-	-	-	MB188X1	-	MB188X1-3/16	MB188X1-1/4	-	MB188X1-7/16

BUSHINGS & HUBS

SHEAVES

SYNCHRONOUS DRIVES

COUPLINGS

PART NUMBER INDEX

## Light Duty Fixed Bore - 2MB (A & B V-Belts)

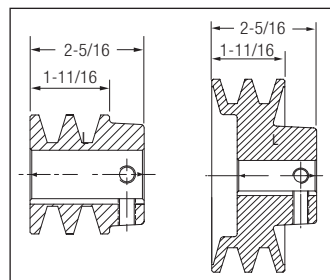
### 2 GROOVES

Part No.	Cross Ref.	D.D. A Belts	D.D. B Belts	O.D.	T	L	Max. Bore	App. Wt.
2MB20	—	*1.35	1.75	2.00	7B	2-1/8	7/8	1.0
2MB23	—	*1.60	2.00	2.25	8B	2-5/16	7/8	1.0
2MB25	2BK25	*1.90	2.30	2.50	7B	2-5/16	1-1/8	1.5
2MB28	2BK27	2.10	2.50	2.70	8B	1-15/16	1-1/8	1.5
2MB30	2BK28	2.20	2.60	2.95	8B	1-15/16	1-1/8	2.0
2MB32	2BK30	2.40	2.80	3.15	8B	1-7/8	1-1/8	2.0
2MB33	—	2.50	2.90	3.25	8B	1-7/8	1-1/8	2.0
2MB34	2BK32	2.60	3.00	3.35	8B	1-15/16	1-1/8	3.0
2MB35	2BK34	2.80	3.20	3.55	8B	1-7/8	1-1/8	2.5
2MB38	2BK36	3.00	3.40	3.75	8B	1-7/8	1-3/8	3.0
2MB40	2BK40	3.20	3.60	3.95	8B	1-11/16	1-3/16	3.0
2MB43	2BK45	3.50	3.90	4.25	8W	1-13/16	1-3/8	4.0
2MB45	2BK47	3.70	4.10	4.45	8W	1-13/16	1-1/4	4.0
2MB48	2BK50	4.00	4.40	4.75	8W	1-13/16	1-1/4	4.0
2MB50	2BK52	4.20	4.60	4.95	8W	1-11/16	1-1/4	4.5
2MB53	2BK55	4.50	4.90	5.25	8W	1-13/16	1-3/8	5.0
2MB55	2BK57	4.70	5.10	5.45	8W	1-13/16	1-3/8	5.0
2MB58	2BK60	5.00	5.40	5.75	8W	1-13/16	1-3/8	5.0
2MB60	2BK62	5.20	5.60	5.95	8W	1-13/16	1-3/8	6.0
2MB63	2BK65	5.50	5.90	6.25	8A	1-13/16	1-11/16	6.0
2MB65	2BK67	5.70	6.10	6.45	8A	1-11/16	1-11/16	6.0
2MB68	2BK70	6.00	6.40	6.75	8A	1-13/16	1-11/16	6.0
2MB70	—	6.25	6.65	7.00	8A	1-13/16	1-11/16	6.0
2MB78	2BK80	7.00	7.40	7.75	8A	1-13/16	1-11/16	7.0
2MB80	—	7.25	7.65	8.00	8A	1-13/16	1-11/16	8.0
2MB88	2BK90	8.00	8.40	8.75	8A	1-13/16	1-11/16	8.0
2MB90	—	8.25	8.65	9.00	8A	1-11/16	1-11/16	9.0
2MB98	2BK100	9.00	9.40	9.75	8A	1-13/16	1-11/16	10.0
2MB100	—	9.25	9.65	10.00	8A	1-13/16	1-11/16	10.0
2MB108	2BK110	10.00	10.40	10.75	8A	1-13/16	1-11/16	13.0
2MB110	—	10.25	10.65	11.00	8A	1-13/16	1-11/16	13.0
2MB118	2BK120	11.00	11.40	11.75	8A	1-13/16	1-11/16	10.0
2MB120	—	11.25	11.65	12.00	8A	1-11/16	1-11/16	15.0
2MB128	2BK130	12.00	12.40	12.75	8A	1-13/16	1-7/8	15.0
2MB138	2BK140	13.00	13.40	13.75	8A	1-13/16	1-7/8	17.0
2MB158	2BK160	15.00	15.40	15.75	8A	1-13/16	1-7/8	18.0
2MB188	2BK190	18.00	18.40	18.75	8A	1-13/16	1-7/8	26.0

P.D. for "A" Belts = Datum Dia. + 0.35 = O.D. - 0.40

P.D. for "B" Belts = O.D.

\* DO NOT use "A" belts with these specific bores



TYPE 7

TYPE 8

### KEYSEAT INFORMATION

Bore Range	Keyseat
1/2	None
5/8 to 7/8	3/16 X 3/32
15/16 to 1-1/4	1/4 X 1/8
1-5/16 to 1-3/8	5/16 X 5/32
1-7/16 to 1-3/4	3/8 X 3/16

**Light Duty Fixed Bore - 2MB (A & B V-Belts)**

**2 GROOVES**

Part No.	Standard Bore Part Numbers										
	1/2	5/8	3/4	7/8	15/16	1	1-1/8	1-3/16	1-1/4	1-3/8	1-7/16
2MB20	2MB20X1/2	2MB20X5/8	2MB20X3/4	2MB20X7/8	-	-	-	-	-	-	-
2MB23	-	2MB23X5/8	-	2MB23X7/8	-	-	-	-	-	-	-
2MB25	2MB25X1/2	2MB25X5/8	2MB25X3/4	2MB25X7/8	-	2MB25X1	2MB25X1-1/8	-	-	-	-
2MB28	2MB28X1/2	2MB28X5/8	2MB28X3/4	2MB28X7/8	-	2MB28X1	2MB28X1-1/8	-	-	-	-
2MB30	2MB30X1/2	2MB30X5/8	2MB30X3/4	2MB30X7/8	-	2MB30X1	2MB30X1-1/8	-	-	2MB30X1-3/8	-
2MB32	2MB32X1/2	2MB32X5/8	2MB32X3/4	2MB32X7/8	-	2MB32X1	2MB32X1-1/8	-	-	-	-
2MB33	-	2MB33X5/8	2MB33X3/4	2MB33X7/8	-	2MB33X1	2MB33X1-1/8	-	-	-	-
2MB34	-	2MB34X5/8	-	2MB34X7/8	-	2MB34X1	2MB34X1-1/8	-	-	-	-
2MB35	-	2MB35X5/8	2MB35X3/4	2MB35X7/8	-	2MB35X1	2MB35X1-1/8	-	-	-	-
2MB38	-	2MB38X5/8	2MB38X3/4	2MB38X7/8	-	2MB38X1	2MB38X1-1/8	-	-	2MB38X1-3/8	-
2MB40	-	2MB40X5/8	2MB40X3/4	2MB40X7/8	-	2MB40X1	2MB40X1-1/8	-	2MB40X1-1/4	-	-
2MB43	-	-	-	-	-	-	2MB43X1-1/8	-	-	2MB43X1-3/8	-
2MB45	-	2MB45X5/8	-	2MB45X7/8	-	2MB45X1	2MB45X1-1/8	-	-	-	-
2MB48	-	-	2MB48X3/4	-	-	2MB48X1	2MB48X1-1/8	-	-	-	-
2MB50	-	2MB50X5/8	2MB50X3/4	2MB50X7/8	-	2MB50X1	2MB50X1-1/8	-	2MB50X1-1/4	-	-
2MB53	-	-	-	2MB53X7/8	-	2MB53X1	2MB53X1-1/8	-	-	2MB53X1-3/8	-
2MB55	-	-	2MB55X3/4	2MB55X7/8	-	2MB55X1	2MB55X1-1/8	-	-	2MB55X1-3/8	-
2MB58	-	-	-	-	-	2MB58X1	2MB58X1-1/8	-	-	2MB58X1-3/8	-
2MB60	-	-	-	2MB60X7/8	-	2MB60X1	2MB60X1-1/8	-	-	-	-
2MB63	-	-	-	-	-	2MB63X1	2MB63X1-1/8	-	-	2MB63X1-3/8	-
2MB65	-	-	2MB65X3/4	-	-	2MB65X1	2MB65X1-1/8	-	-	2MB65X1-3/8	-
2MB68	-	-	-	-	-	2MB68X1	2MB68X1-1/8	2MB68X1-3/16	-	2MB68X1-3/8	2MB68X1-7/16
2MB70	-	-	-	2MB70X7/8	-	2MB70X1	2MB70X1-1/8	-	-	-	-
2MB78	-	-	2MB78X3/4	2MB78X7/8	-	2MB78X1	2MB78X1-1/8	2MB78X1-3/16	2MB78X1-1/4	-	2MB78X1-7/16
2MB80	-	-	-	-	-	2MB80X1	2MB80X1-1/8	-	-	2MB80X1-3/8	-
2MB88	-	-	2MB88X3/4	-	-	2MB88X1	2MB88X1-1/8	2MB88X1-3/16	2MB88X1-1/4	2MB88X1-3/8	2MB88X1-7/16
2MB90	-	-	-	-	-	2MB90X1	-	-	-	-	-
2MB98	-	-	2MB98X3/4	-	-	2MB98X1	2MB98X1-1/8	2MB98X1-3/16	-	-	2MB98X1-7/16
2MB100	-	-	-	-	-	2MB100X1	-	-	-	-	-
2MB108	-	-	-	-	-	2MB108X1	-	2MB108X1-3/16	2MB108X1-1/4	-	2MB108X1-7/16
2MB110	-	-	-	-	-	2MB110X1	-	-	-	-	-
2MB118	-	-	-	-	-	2MB118X1	-	2MB118X1-3/16	2MB118X1-1/4	-	2MB118X1-7/16
2MB120	-	-	-	-	-	2MB120X1	-	-	2MB120X1-1/4	-	-
2MB128	-	-	-	-	-	2MB128X1	-	2MB128X1-3/16	-	-	2MB128X1-7/16
2MB138	-	-	-	-	-	2MB138X1	-	2MB138X1-3/16	2MB138X1-1/4	-	2MB138X1-7/16
2MB158	-	-	-	-	-	2MB158X1	-	2MB158X1-3/16	-	-	2MB158X1-7/16
2MB188	-	-	-	-	-	-	-	2MB188X1-3/16	-	-	2MB188X1-7/16

BUSHINGS & HUBS

SHEAVES

SYNCHRONOUS DRIVES

COUPLINGS

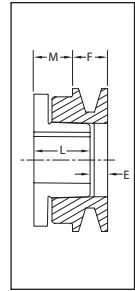
PART NUMBER INDEX

# Light Duty Bushed - MAL (A & 3L-4L V-Belts)

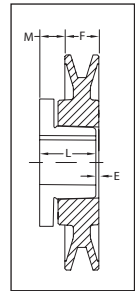
This entire product series uses the "H" bushing

## 1 GROOVE

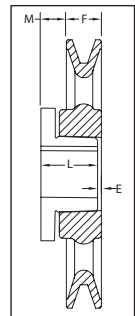
Part No.	Cross Ref.	D.D. (3L) Belts	D.D. A (4L) Belts	O.D.	Type	Dimensions*				Wt. (lbs.)
						E	F	H	M	
MAL30	AK30H	2.46	2.8	3.05	1B	3/8	3/4	1-11/32	31/32	1.15
MAL32	AK32H	2.66	3.0	3.25	1B	3/8	3/4	1-11/32	31/32	1.30
MAL34	AK34H	2.86	3.2	3.45	1B	3/32	3/4	1-11/32	11/16	1.20
MAL37	AK39H	3.16	3.5	3.75	1B	3/32	3/4	1-11/32	11/16	1.50
MAL39	AK41H	3.36	3.7	3.95	1B	3/32	3/4	1-11/32	11/16	1.75
MAL42	AK44H	3.66	4.0	4.25	1B	3/32	3/4	1-11/32	11/16	2.05
MAL44	AK46H	3.86	4.2	4.45	1B	3/32	3/4	1-11/32	11/16	2.25
MAL47	AK49H	4.16	4.5	4.75	3W	3/32	3/4	1-11/32	11/16	2.10
MAL49	AK51H	4.36	4.7	4.95	3W	3/32	3/4	1-11/32	11/16	2.35
MAL52	AK54H	4.66	5.0	5.25	3W	3/32	3/4	1-11/32	11/16	2.65
MAL54	AK56H	4.86	5.2	5.45	3W	3/32	3/4	1-11/32	11/16	2.75
MAL57	AK59H	5.16	5.5	5.75	5A	3/32	3/4	1-11/32	11/16	2.60
MAL59	AK61H	5.36	5.7	5.95	5A	3/32	3/4	1-11/32	11/16	2.50
MAL62	AK64H	5.66	6.0	6.25	5A	3/32	3/4	1-11/32	11/16	2.60
MAL64	AK66H	5.86	6.2	6.45	5A	3/32	3/4	1-11/32	11/16	2.70
MAL67	AK69H	6.16	6.5	6.75	5A	3/32	3/4	1-11/32	11/16	2.85
MAL69	AK71H	6.36	6.7	6.95	5A	3/32	3/4	1-11/32	11/16	2.90
MAL72	AK74H	6.66	7.0	7.25	5A	3/32	3/4	1-11/32	11/16	3.10
MAL77	AK79H	7.16	7.5	7.75	5A	3/32	3/4	1-11/32	11/16	3.35
MAL82	AK84H	7.66	8.0	8.25	5A	1/8	3/4	1-11/32	23/32	3.85
MAL87	AK89H	8.16	8.5	8.75	5A	3/32	3/4	1-11/32	11/16	4.10
MAL92	AK94H	8.66	9.0	9.25	5A	3/32	3/4	1-11/32	11/16	4.40
MAL97	AK99H	9.16	9.5	9.75	5A	3/32	3/4	1-11/32	11/16	4.60
MAL102	AK104H	9.66	10.0	10.25	5A	3/32	3/4	1-11/32	11/16	4.90
MAL107	AK109H	10.16	10.5	10.75	5A	3/32	3/4	1-11/32	11/16	5.20
MAL112	AK114H	10.66	11.0	11.25	5A	3/32	3/4	1-11/32	11/32	5.55
MAL122	AK124H	11.66	12.0	12.25	5A	3/32	3/4	1-11/32	11/16	5.90
MAL132	AK134H	12.66	13.0	13.25	5A	3/32	3/4	1-11/32	11/16	6.55
MAL142	AK144H	13.66	14.0	14.25	5A	3/32	3/4	1-11/32	11/16	7.30
MAL152	AK155H	14.66	15.0	15.25	5A	3/32	3/4	1-11/32	11/16	9.80
MAL182	AK184H	17.66	18.0	18.25	5A	3/32	3/4	1-11/32	11/16	9.95



**TYPE 1**



**TYPE 3**



**TYPE 5**

P.D. for "A" (4L) Belts = O.D.

P.D. for "3L" Belts = D.D.+0.25 = O.D.-0.34

\* Dimensions to closest fraction

Legend: "E" and "M" dimensions may vary according to shaft tolerance.

With "H" bushing only reverse mounting is possible. See pages 15-17 for installation instructions and bushing selection.

## Light Duty Bushed - 2MAL (A V-Belts)

This entire product series uses the “H” bushing

### 2 GROOVES

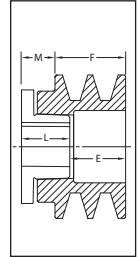
Part No.	Cross Ref.	D.D. A Belts	O.D.	Type	Dimensions*				Wt. (lbs.)
					E	F	H	M	
2MAL30	2AK30H	2.8	3.05	2B	1	1-3/8	1-11/32	31/32	1.70
2MAL32	2AK32H	3.0	3.25	2B	1	1-3/8	1-11/32	31/32	1.90
2MAL34	2AK34H	3.2	3.45	2B	23/32	1-3/8	1-11/32	11/16	1.90
2MAL37	2AK39H	3.5	3.75	2B	23/32	1-3/8	1-11/32	11/16	2.15
2MAL39	2AK41H	3.7	3.95	4B	3/32	1-3/8	1-11/32	1/16	2.30
2MAL42	2AK44H	4.0	4.25	4B	3/32	1-3/8	1-11/32	1/16	2.75
2MAL44	2AK46H	4.2	4.45	4W	3/32	1-3/8	1-11/32	1/16	2.85
2MAL47	2AK49H	4.5	4.75	4W	3/32	1-3/8	1-11/32	1/16	3.50
2MAL49	2AK51H	4.7	4.95	4W	3/32	1-3/8	1-11/32	1/16	3.70
2MAL52	2AK54H	5.0	5.25	4W	3/32	1-3/8	1-11/32	1/16	4.05
2MAL54	2AK56H	5.2	5.45	4W	3/32	1-3/8	1-11/32	1/16	4.20
2MAL57	2AK59H	5.5	5.75	6A	3/32	1-3/8	1-11/32	1/16	3.90
2MAL59	2AK61H	5.7	5.95	6A	3/32	1-3/8	1-11/32	1/16	4.05
2MAL62	2AK64H	6.0	6.25	6A	3/32	1-3/8	1-11/32	1/16	4.50
2MAL72	2AK74H	7.0	7.25	6A	3/32	1-3/8	1-11/32	1/16	5.70
2MAL82	2AK84H	8.0	8.25	6A	3/32	1-3/8	1-11/32	1/16	6.50
2MAL92	2AK94H	9.0	9.25	6A	3/32	1-3/8	1-11/32	1/16	7.80
2MAL102	2AK104H	10.0	10.25	6A	3/32	1-3/8	1-11/32	1/16	8.80
2MAL112	2AK114H	11.0	11.25	6A	3/32	1-3/8	1-11/32	1/16	9.50
2MAL122	2AK124H	12.0	12.25	6A	3/32	1-3/8	1-11/32	1/16	10.60
2MAL132	2AK134H	13.0	13.25	6A	3/32	1-3/8	1-11/32	1/16	11.90
2MAL142	2AK144H	14.0	14.25	6A	3/32	1-3/8	1-11/32	1/16	12.45
2MAL152	2AK155H	15.0	15.25	6A	3/32	1-3/8	1-11/32	1/16	14.00
2MAL182	2AK184H	18.0	18.25	6A	3/32	1-3/8	1-11/32	1/16	17.95

P.D. for “A” Belts = 0.D.

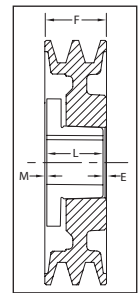
\* Dimensions to closest fraction

Legend: “E” and “M” dimensions may vary according to shaft tolerance.

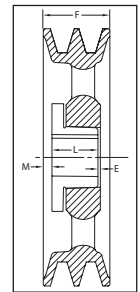
With “H” bushing only reverse mounting is possible. See pages 15-17 for installation instructions and bushing selection.



**TYPE 2**



**TYPE 4**



**TYPE 6**

# Light Duty Bushed - MBL (A-B & 4L-5L V-Belts)

This entire product series uses the "H" bushing

## 1 GROOVE

Part No.	Cross. Refer.	D.D. A (4L) Belts	D.D. B (5L) Belts	O.D.	Type	Dimensions*				Wt. (lbs.)
						E	F	H	M	
MBL31	BK30H	2.40	2.80	3.15	1B	17/32	29/32	1-11/32	63/64	1.25
MBL33	BK32H	2.60	3.00	3.35	1B	17/32	29/32	1-11/32	63/64	1.40
MBL35	BK34H	2.80	3.20	3.55	1B	17/32	29/32	1-11/32	63/64	1.65
MBL37	BK36H	3.00	3.40	3.75	3B	3/32	29/32	1-11/32	17/32	1.40
MBL39	BK40H	3.20	3.60	3.95	3B	3/32	29/32	1-11/32	17/32	1.70
MBL42	BK45H	3.50	3.90	4.25	3B	3/32	29/32	1-11/32	17/32	2.05
MBL44	BK47H	3.70	4.10	4.45	3B	3/32	29/32	1-11/32	17/32	2.35
MBL47	BK50H	4.00	4.40	4.75	3W	3/32	29/32	1-11/32	17/32	1.95
MBL49	BK52H	4.20	4.60	4.95	3W	3/32	29/32	1-11/32	17/32	2.40
MBL52	BK55H	4.50	4.90	5.25	3W	3/32	29/32	1-11/32	17/32	2.35
MBL54	BK57H	4.70	5.10	5.45	3W	3/32	29/32	1-11/32	17/32	2.90
MBL57	BK60H	5.00	5.40	5.75	5W	3/32	29/32	1-11/32	17/32	2.45
MBL59	BK62H	5.20	5.60	5.95	5W	3/32	29/32	1-11/32	17/32	2.80
MBL62	BK65H	5.50	5.90	6.25	5W	3/32	29/32	1-11/32	17/32	2.70
MBL64	BK67H	5.70	6.10	6.45	5W	3/32	29/32	1-11/32	17/32	2.80
MBL67	BK70H	6.00	6.40	6.75	5A	3/32	29/32	1-11/32	17/32	3.00
MBL69	BK72H	6.20	6.60	6.95	5A	3/32	29/32	1-11/32	17/32	3.60
MBL72	BK75H	6.50	6.90	7.25	5A	3/32	29/32	1-11/32	17/32	3.45
MBL74	BK77H	6.70	7.10	7.45	5A	3/32	29/32	1-11/32	17/32	3.65
MBL77	BK80H	7.00	7.40	7.75	5A	3/32	29/32	1-11/32	17/32	3.80
MBL82	BK85H	7.50	7.90	8.25	5A	3/32	29/32	1-11/32	17/32	4.55
MBL87	BK90H	8.00	8.40	8.75	5A	3/32	29/32	1-11/32	17/32	5.10
MBL92	BK95H	8.50	8.90	9.25	5A	3/32	29/32	1-11/32	17/32	5.30
MBL97	BK100H	9.00	9.40	9.75	5A	3/32	29/32	1-11/32	17/32	5.80
MBL102	BK105H	9.50	9.90	10.25	5A	3/32	29/32	1-11/32	17/32	5.50
MBL107	BK110H	10.00	10.40	10.75	5A	3/32	29/32	1-11/32	17/32	5.85
MBL112	BK115H	10.50	10.90	11.25	5A	3/32	29/32	1-11/32	17/32	7.20
MBL117	BK120H	11.00	11.40	11.75	5A	3/32	29/32	1-11/32	17/32	6.59
MBL127	BK130H	12.00	12.40	12.75	5A	3/32	29/32	1-11/32	17/32	7.90
MBL137	BK140H	13.00	13.40	13.75	5A	3/32	29/32	1-11/32	17/32	10.15
MBL147	BK150H	14.00	14.40	14.75	5A	3/32	29/32	1-11/32	17/32	13.25
MBL157	BK160H	15.00	15.40	15.75	5A	3/32	29/32	1-11/32	17/32	16.05
MBL187	BK190H	18.00	18.40	18.75	5A	3/32	29/32	1-11/32	17/32	12.45

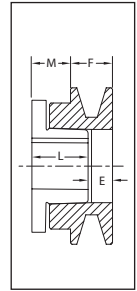
P.D. for "A" (4L) Belts = Datum.Dia. + 0.35 = O.D. - 0.40

P.D. for "B" (5L) Belts = O.D.

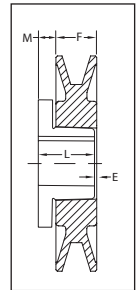
\* Dimensions to closest fraction

Legend: "E" and "M" dimensions may vary according to shaft tolerance.

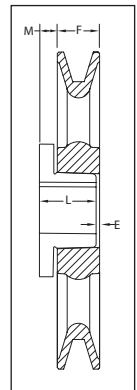
With "H" bushing only reverse mounting is possible. See pages 15-17 for installation instructions and bushing selection.



**TYPE 1**



**TYPE 3**



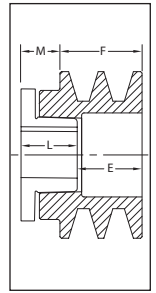
**TYPE 5**

**Light Duty Bushed - 2MBL (A-B V-Belts)**

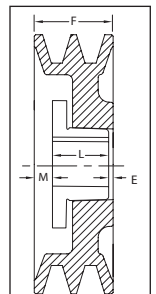
This entire product series uses the "H" bushing

**2 GROOVES**

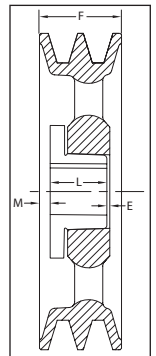
Part No.	Cross Refer.	D.D. A Belts	D.D. B Belts	O.D.	Type	Dimensions*				Wt. (lbs.)
						E	F	H	M	
2MBL33	2BK32H	2.60	3.00	3.35	2B	1-3/8	1-3/4	1-11/32	31/32	2.35
2MBL35	2BK34H	2.80	3.20	3.55	2B	1-3/8	1-3/4	1-11/32	31/32	2.55
2MBL37	2BK36H	3.00	3.40	3.75	2B	1-3/8	1-3/4	1-11/32	31/32	3.00
2MBL39	2BK40H	3.20	3.60	3.95	2B	15/16	1-3/4	1-11/32	17/32	2.80
2MBL42	2BK45H	3.50	3.90	4.25	2B	15/16	1-3/4	1-11/32	17/32	3.25
2MBL44	2BK47H	3.70	4.10	4.45	2B	15/16	1-3/4	1-11/32	17/32	3.35
2MBL47	2BK50H	4.00	4.40	4.75	4W	3/32	1-3/4	1-11/32	5/16	3.85
2MBL49	2BK52H	4.20	4.60	4.95	4W	3/32	1-3/4	1-11/32	5/16	4.00
2MBL52	2BK55H	4.50	4.90	5.25	4W	3/32	1-3/4	1-11/32	5/16	4.40
2MBL54	2BK57H	4.70	5.10	5.45	4W	3/32	1-3/4	1-11/32	5/16	4.95
2MBL57	2BK60H	5.00	5.40	5.75	4W	3/32	1-3/4	1-11/32	5/16	5.30
2MBL59	2BK62H	5.20	5.60	5.95	4W	3/32	1-3/4	1-11/32	5/16	5.80
2MBL62	2BK65H	5.50	5.90	6.25	6A	1/16	1-3/4	1-11/32	11/32	5.40
2MBL64	2BK67H	5.70	6.10	6.45	6A	1/16	1-3/4	1-11/32	11/32	5.85
2MBL67	2BK70H	6.00	6.40	6.75	6A	1/16	1-3/4	1-11/32	11/32	5.55
2MBL69	-	6.20	6.60	6.95	6A	1/16	1-3/4	1-11/32	11/32	6.65
2MBL77	2BK80H	7.00	7.40	7.75	6A	1/16	1-3/4	1-11/32	11/32	6.85
2MBL87	2BK90H	8.00	8.40	8.75	6A	1/16	1-3/4	1-11/32	11/32	9.65
2MBL97	2BK100H	9.00	9.40	9.75	6A	1/16	1-3/4	1-11/32	11/32	9.20
2MBL107	2BK110H	10.00	10.40	10.75	6A	1/16	1-3/4	1-11/32	11/32	12.80
2MBL117	2BK120H	11.00	11.40	11.75	6A	1/16	1-3/4	1-11/32	11/32	14.65
2MBL127	2BK130H	12.00	12.40	12.75	6A	1/16	1-3/4	1-11/32	11/32	14.15
2MBL137	2BK140H	13.00	13.40	13.75	6A	1/16	1-3/4	1-11/32	11/32	14.95
2MBL157	2BK160H	15.00	15.40	15.75	6A	1/16	1-3/4	1-11/32	11/32	18.70
2MBL187	2BK190H	18.00	18.40	18.75	6A	1/16	1-3/4	1-11/32	11/32	24.20



**TYPE 2**



**TYPE 4**



**TYPE 6**

P.D. for "A" Belts = Datum.Dia. + 0.35 = O.D. - 0.40

P.D. for "B" Belts = O.D.

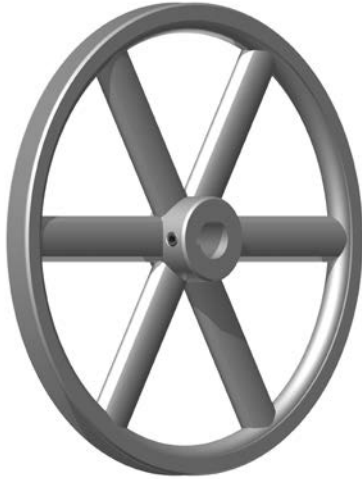
\* Dimensions to closest fraction

Legend: "E" and "M" dimensions may vary according to shaft tolerance.

With "H" bushing only reverse mounting is possible. See pages 15-17 for installation instructions and bushing selection.

## Fractional Horsepower Series (F.H.P.)

### Fractional Horsepower Series MFAL (Fixed Bore A & 4L V-Belt Series)



#### Features:

- Stock items include one set screw with standard keyseat

**Caution:** DO NOT use “A” gripnotch belts ratings with MFAL and MFAM sheaves.

### HOW TO ORDER

EXAMPLE: **MFAL104X3/4**

<b>M</b>	<b>FAL</b>	<b>104</b>	<b>X</b>	<b>3/4</b>
----------	------------	------------	----------	------------

**M:** LIGHT DUTY FAMILY

**FAL:** FRACTIONAL HORSEPOWER SERIES

**104:** OUTSIDE DIAMETER (10 IN.) (REFER TO THE DIMENSIONS TABLE FOR EXACT VALUE)

**3/4:** BORE SIZE (3/4 IN.)



## Fractional Horsepower Series (F.H.P.)

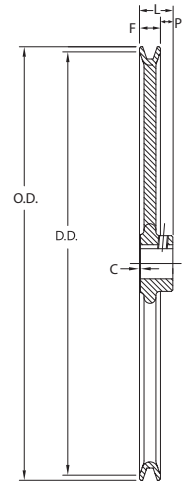
### DIMENSIONS

Part No.	Cross Ref.	Diameter		Stock Bore Part Numbers				Dimensions				Wt. (lbs.)
		Outside	D.D. A (4L)	5/8	3/4	7/8	1	F	L	P	C	
<b>MFAL54*</b>	AL 54	4.93	4.78	MFAL54X5/8	MFAL54X3/4	7/8	MFAL54X1	19/32	1-1/16	15/32	–	1.1
<b>MFAL64*</b>	AL 64	5.93	5.78	MFAL64X5/8	MFAL64X3/4	–	MFAL64X1	19/32	1-1/16	15/32	–	1.5
<b>MFAL74*</b>	AL 74	6.93	6.78	MFAL74X5/8	MFAL74X3/4	–	MFAL74X1	19/32	1-1/16	15/32	–	1.75
<b>MFAL84*</b>	AL 84	7.93	7.78	MFAL84X5/8	MFAL84X3/4	–	MFAL84X1	19/32	1-1/16	15/32	–	2.2
<b>MFAL94</b>	AL 94	8.93	8.78	–	MFAL94X3/4	–	MFAL94X1	19/32	1-1/16	15/32	–	3.0
<b>MFAL104</b>	AL 104	9.93	9.78	–	MFAL104X3/4	MFAL94X7/8	MFAL104X1	19/32	1-1/16	15/32	–	2.7
<b>MFAL114</b>	AL 114	10.93	10.78	–	MFAL114X3/4	–	MFAL114X1	19/32	1-1/16	15/32	–	3.1
<b>MFAL124</b>	AL 124	11.93	11.78	–	MFAL124X3/4	–	MFAL124X1	19/32	1-1/16	15/32	–	3.5
<b>MFAM144</b>	AM 144	14.16	14.00	–	–	–	MFAM144X1	11/16	1-3/32	13/32	1/32	5.2

**\*Note:** This item is packaged 10 per carton.  
Pitch Dia. for "A" (4L) belts = Datum Dia. +.26 = O.D. +.11

### KEYSEAT INFORMATION

Bore Range	Keyseat
1/2	None
5/8 to 7/8	3/16 X 3/32
15/16 to 1-1/4	1/4 X 1/8



## Adjustable Pitch Sheaves

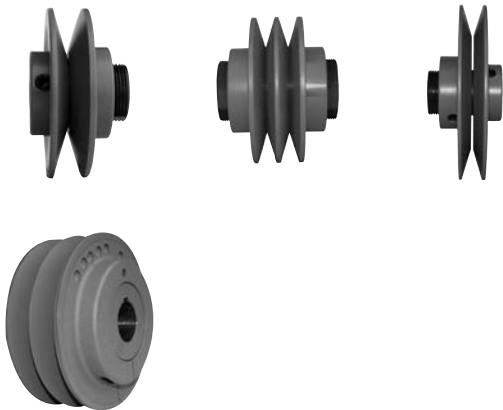
Adjustable speed sheaves are used primarily in the air handling industry. Optimal fan working speed is easily obtained by simply adjusting one of the pulleys.

### Features:

- Adjustable pitch sheaves are made of durable gray cast iron class 30
- Line covers from fractional light duty (less than 1 HP) to heavy duty (40 HP) applications

### Note:

- **DO NOT** use these gray cast iron sheaves with rim speeds in excess of 6500 ft./min. Note that the maximum RPM indicated on the arm of the sheave is based on the 6500 ft./min. limit, and doesn't take into consideration the need for dynamic balancing (two planes). Please verify the validity of dynamic balancing in your application. All operational PT products when used in a drive are potentially dangerous and must be guarded by the user as required by applicable laws, regulations, standards and good safety practice. (Refer to ANSI standard B15.1)
- Regardless of the equipment used, Baldor recommends NOT reboring adjustable pitch pulleys. The concentricity may be lost.



## Adjustable Pitch MVL



### Features:

- HVAC applications
- Designed for applications up to 5 HP
- Bore range 1/2 in. to 7/8 in.
- Bulk packaged 20 per carton
- Designed to be used with the MFAL series

### Note:

**DO NOT** use “B” gripnotch belt ratings with MVL sheaves.

### HOW TO ORDER

EXAMPLE: **MVL30X5/8**

<b>MVL</b>	<b>30</b>	<b>X</b>	<b>5/8</b>
------------	-----------	----------	------------



**MVL:** ADJUSTABLE PITCH SHEAVE SERIES

**30:** APPROXIMATE OUTSIDE DIAMETER 2.87 IN.

**5/8:** BORE SIZE (5/8 in.)

**Bore size:** Inch bore sizes are designated with the whole inch followed by the fraction. For example, a 1.5 in. diameter bore would be 1-1/2 in.

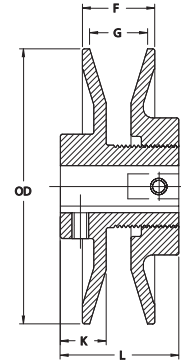
### Pulley Adjustment

Modify the sheave pitch diameter by rotating the adjustable flange on the threaded hub of the pulley. Once the required diameter is obtained, tighten the adjusting screw(s) on one of the two flat surfaces.

## Adjustable Pitch MVL

### DIMENSIONS

Part No.	Cross Ref.	O.D.	Dimensions						Wt. (lbs.)
			F		G		L	K	
			Max.	Min.	Max.	Min.			
MVL25	VL25	2.50	27/32	19/32	5/8	3/8	1-1/2	37/64	0.8
MVL30	VL30	2.87	27/32	19/32	5/8	3/8	1-1/2	37/64	1.0
MVL34	VL34	3.15	1-5/64	23/32	7/8	1/2	1-11/16	37/64	1.1
MVL40	VL40	3.75	1-3/32	45/64	7/8	1/2	1-11/16	37/64	1.5
MVL44	VL44	4.15	1-3/32	45/64	7/8	1/2	1-11/16	37/64	1.8
1VM50	1VM50	4.75	1-1/16	11/16	7/8	1/2	1-7/8	21/32	2.8



Part No.	Dimensions					
	1/2	5/8	3/4	7/8	14mm	19mm
MVL25	MVL25X1/2	MVL25X5/8	-	-	-	-
MVL30	MVL30X1/2	MVL30X5/8	-	-	-	-
MVL34	MVL34X1/2	MVL34X5/8	MVL34X3/4	-	-	-
MVL40	MVL40X1/2	MVL40X5/8	MVL40X3/4	MVL40X7/8	-	-
MVL44	MVL44X1/2	MVL44X5/8	MVL44X3/4	MVL44X7/8	MVL44X14mm	MVL44X19mm
1VM50	1VM50X1/2	1VM50X5/8	1VM50X3/4	1VM50X7/8	-	-

### DATUM DIAMETERS

	Part No.	Datum Diameter, Inches									
		Min.	Max.	0 Turn Close	1 Turn Open	2 Turns Open	3 Turns Open	4 Turns Open	5 Turns Open	6 Turns Open	7 Turns Open
3L Belt	MVL25	1.6	2.4	2.4	2.2	2.0	1.8	1.6	-	-	-
	MVL30	1.8	2.6	2.6	2.4	2.2	2.0	1.8	-	-	-
	MVL34	1.7	2.5	2.5	2.3	2.1	1.9	1.7	-	-	-
	MVL40	2.3	3.1	3.1	2.9	2.7	2.5	2.3	-	-	-
	MVL44	2.7	3.5	3.5	3.3	3.1	2.9	2.7	-	-	-
	1VM50	3.3	4.1	4.1	3.9	3.7	3.5	3.3	-	-	-
A (4L) Belt	MVL25	1.6	2.2	-	-	2.2	2.0	1.8	1.6	-	-
	MVL30	2.0	2.6	-	-	2.6	2.4	2.2	2.0	-	-
	MVL34	1.9	2.9	2.9	2.7	2.5	2.3	2.1	1.9	-	-
	MVL40	2.4	3.4	3.4	3.2	3.0	2.8	2.6	2.4	-	-
	MVL44	2.8	3.8	3.8	3.6	3.4	3.2	3.0	2.8	-	-
	1VM50	3.4	4.4	4.4	4.2	4.0	3.8	3.6	3.4	-	-
B* (5L) Belt	MVL25	2.0	2.2	-	-	-	-	2.2	2.0	-	-
	MVL30	2.4	2.6	-	-	-	-	2.6	2.4	-	-
	MVL34	2.4	3.2	-	3.2	3.0	2.8	2.6	2.4	-	-
	MVL40	2.7	3.7	-	3.7	3.5	3.3	3.1	2.9	2.7	-
	MVL44	3.1	4.1	-	4.1	3.9	3.7	3.5	3.3	3.1	-
	1VM50	3.7	4.7	-	4.7	4.5	4.3	4.1	3.9	3.7	-

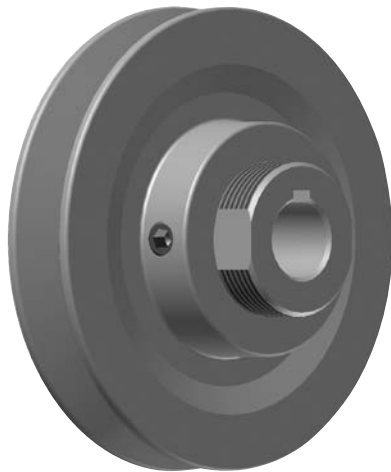
Pitch Dia. for 3L belts = Datum Dia. + .25

Pitch Dia. for "A" (4L) belts = Datum Dia. + .25

Pitch Dia. for "B" (5L) belts = Datum Dia. + .35

Bore Range	Keyseat
1/2	None
5/8 to 7/8	3/16 X 3/32

## Adjustable Pitch VP Series



### Features:

- Baldor 1VP and 2VP series are finished bore variable speed sheaves made of cast iron and designed for heavier duty service up to 25 HP
- Available in single and double grooves, they offer a pitch range from 1.9 in. to 6.7 in. (A belt) and 2.4 in. to 7.0 in. (B belt)
- Type 2 model has positive locked-on settings

### HOW TO ORDER

EXAMPLE: **1VP71X3/4**

1	VP71	X	3/4
---	------	---	-----

**1:** NUMBER OF GROOVES

**VP71:** ADJUSTABLE PITCH SHEAVE SIZE

Last 2 digits represent the approximate outside diameter (7.1 in.)

**3/4:** BORE SIZE (3/4 IN.)

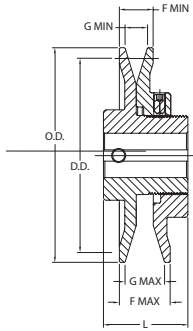
**Bore size:** Inch bore sizes are designated with the whole inch followed by the fraction. For example, a 1.5 in. diameter bore would be 1-1/2 in.

### Pulley Adjustment

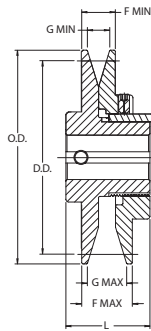
Modify the sheave pitch diameter by rotating the adjustable flange on the threaded hub of the pulley. Once the required diameter is obtained, tighten the adjusting screw(s) on one of the two flat surfaces.

To obtain the same pitch diameter in both grooves of the VP series, tighten both movable flanges against the central flange, make trace marks on both flanges, then rotate both flanges the same number of turns.

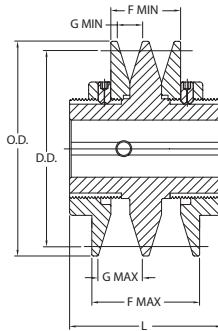
## Adjustable Pitch VP Series - 1VP & 2VP



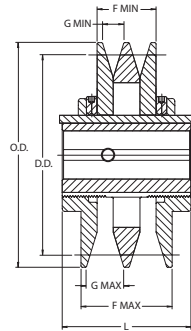
**TYPE 1**  
(without key)



**TYPE 2**



**TYPE 3**  
(without key)



**TYPE 4**

Part No.	Type	O.D.	L	F		G		Weight (lbs.)
				Max.	Min.	Max.	Min.	
1VP25	1	2.50	1-1/2	13/16	9/16	5/8	3/8	7
1VP30	1	2.87	1-21/32	13/16	9/16	5/8	3/8	1.1
1VP34	1	3.15	1-7/8	1	11/16	13/16	1/2	1.4
1VP40	1	3.75	1-7/8	1-1/16	11/16	7/8	1/2	1.9
1VP44	1	4.15	1-7/8	1-1/16	11/16	7/8	1/2	2.4
1VP44	2	4.15	1-7/8	1-1/8	3/4	7/8	1/2	2.9
1VP50	1	4.75	2	1-1/16	11/16	7/8	1/2	2.9
1VP50	2	4.75	1-7/8	1-1/8	3/4	7/8	1/2	3.6
1VP56	1	5.35	1-7/8	1-1/16	11/16	7/8	1/2	3.8
1VP56	2	5.35	1-7/8	1-1/8	3/4	7/8	1/2	4.4
1VP60	2	6.00	1-21/32	1-1/4	7/8	1-1/32	21/32	6.5
1VP62	2	5.95	1-29/32	1-1/8	3/4	7/8	1/2	6.1
1VP65	2	6.50	1-21/32	1-1/4	7/8	1-1/32	21/32	6.8
1VP68	2	6.55	1-29/32	1-1/8	3/4	7/8	1/2	7.3
1VP71	2	7.10	1-21/32	1-1/4	7/8	1-1/32	21/32	8.2
1VP75	2	7.50	1-21/32	1-1/4	7/8	1-1/32	21/32	9.2
2VP36	3	3.35	3	2	1-3/8	13/16	1/2	3.4
2VP42	3	3.95	3	2-1/8	1-3/8	7/8	1/2	4.4
2VP50	4	4.75	3	2-1/8	1-3/8	7/8	1/2	6.3
2VP56	4	5.35	3	2-1/8	1-3/8	7/8	1/2	7.8
2VP60	4	6.00	3-1/4	2-3/8	1-5/8	1-1/32	21/32	10.6
2VP62	4	5.95	3	2-1/8	1-3/8	7/8	1/2	10.0
2VP65	4	6.50	3-1/4	2-3/8	1-5/8	1-1/32	21/32	12.3
2VP68	4	6.55	3	2-1/8	1-3/8	7/8	1/2	11.7
2VP71	4	7.10	3-1/4	2-3/8	1-5/8	1-1/32	21/32	14.6
2VP75	4	7.50	3-1/4	2-3/8	1-5/8	1-1/32	21/32	16.5

\* Supplied without keyway through the bore

**Adjustable Pitch VP Series - 1VP & 2VP**

Part No.	Standard Bores Part Numbers												
	1/2	5/8	3/4	7/8	1	1-1/8	1-1/4	1-3/8	1-5/8	19MM	24MM	28MM	38MM
1VP25	1VP25X1/2	-	-	-	-	-	-	-	-	-	-	-	-
1VP30	1VP30X1/2	1VP30X5/8	1VP30X3/4	-	-	-	-	-	-	-	-	-	-
1VP34	1VP34X1/2	1VP34X5/8	1VP34X3/4	1VP34X7/8	-	-	-	-	-	1VP34X19mm	-	-	-
1VP40	1VP40X1/2	1VP40X5/8	1VP40X3/4	1VP40X7/8	-	-	-	-	-	1VP40X19mm	-	-	-
1VP44	1VP44X1/2	1VP44X5/8	1VP44X3/4	1VP44X7/8	1VP44X1	1VP44X1-1/8	-	-	-	1VP44X19mm	1VP44X24mm	-	-
1VP44	1VP44X1/2	1VP44X5/8	1VP44X3/4	1VP44X7/8	1VP44X1	1VP44X1-1/8	-	-	-	1VP44X19mm	1VP44X24mm	-	-
1VP50	1VP50X1/2	1VP50X5/8	1VP50X3/4	1VP50X7/8	1VP50X1	1VP50X1-1/8	-	-	-	1VP50X19mm	1VP50X24mm	1VP50X28mm	-
1VP50	1VP50X1/2	1VP50X5/8	1VP50X3/4	1VP50X7/8	1VP50X1	1VP50X1-1/8	-	-	-	1VP50X19mm	1VP50X24mm	1VP50X28mm	-
1VP56	1VP56X1/2	1VP56X5/8	1VP56X3/4	1VP56X7/8	1VP56X1	1VP56X1-1/8	-	-	-	-	1VP56X24mm	1VP56X28mm	-
1VP56	1VP56X1/2	1VP56X5/8	1VP56X3/4	1VP56X7/8	1VP56X1	1VP56X1-1/8	-	-	-	-	1VP56X24mm	1VP56X28mm	-
1VP60	-	-	1VP60X3/4	1VP60X7/8	-	1VP60X1-1/8	-	1VP60X1-3/8	-	-	-	-	-
1VP62	-	1VP62X5/8	1VP62X3/4	1VP62X7/8	1VP62X1	1VP62X1-1/8	1VP62X1-1/4	1VP62X1-3/8	-	-	1VP62X24mm	1VP62X28mm	-
1VP65	-	-	1VP65X3/4	1VP65X7/8	-	1VP65X1-1/8	-	1VP65X1-3/8	1VP65X1-5/8	-	-	-	-
1VP68	-	1VP68X5/8	1VP68X3/4	1VP68X7/8	1VP68X1	1VP68X1-1/8	1VP68X1-1/4	1VP68X1-3/8	-	-	-	-	-
1VP71	-	-	1VP71X3/4	1VP71X7/8	-	1VP71X1-1/8	-	1VP71X1-3/8	1VP71X1-5/8	-	-	-	-
1VP75	-	-	1VP75X3/4	1VP75X7/8	-	1VP75X1-1/8	-	1VP75X1-3/8	-	-	-	-	-
2VP36	2VP36X1/2	2VP36X5/8	2VP36X3/4	2VP36X7/8	-	-	-	-	-	-	-	-	-
2VP42	-	2VP42X5/8	2VP42X3/4	2VP42X7/8	2VP42X1	2VP42X1-1/8	-	-	-	-	-	-	-
2VP50	-	2VP50X5/8	2VP50X3/4	2VP50X7/8	2VP50X1	2VP50X1-1/8	-	-	-	-	-	2VP50X28mm	-
2VP56	-	2VP56X5/8	2VP56X3/4	2VP56X7/8	2VP56X1	2VP56X1-1/8	-	-	-	-	-	2VP56X28mm	2VP56X38mm
2VP60	-	-	2VP60X3/4	2VP60X7/8	-	2VP60X1-1/8	-	2VP60X1-3/8	2VP60X1-5/8	-	-	-	-
2VP62	-	-	2VP62X3/4	2VP62X7/8	2VP62X1	2VP62X1-1/8	2VP62X1-1/4	2VP62X1-3/8	-	-	-	-	2VP62X38mm
2VP65	-	-	2VP65X3/4	2VP65X7/8	-	2VP65X1-1/8	-	2VP65X1-3/8	2VP65X1-5/8	-	-	-	-
2VP68	-	-	-	2VP68X7/8	2VP68X1	2VP68X1-1/8	2VP68X1-1/4	2VP68X1-3/8	-	-	-	-	2VP68X38mm
2VP71	-	-	2VP71X3/4	2VP71X7/8	-	2VP71X1-1/8	-	2VP71X1-3/8	2VP71X1-5/8	-	-	-	-
2VP75	-	-	2VP75X3/4	2VP75X7/8	-	2VP75X1-1/8	-	2VP75X1-3/8	2VP75X1-5/8	-	-	-	-

BUSHINGS & HUBS

SHEAVES

SYNCHRONOUS DRIVES

COUPLINGS

PART NUMBER INDEX

# Adjustable Pitch VP Series

## DATUM DIAMETERS

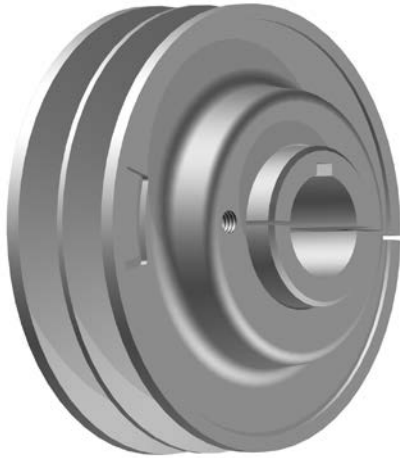
	Part No.	Datum Diameter, Inches								
		Min.	Max.	0 Turn Close	1 Turn Open	2 Turns Open	3 Turns Open	4 Turns Open	5 Turns Open	6 Turns Open
3L Belt	1VP25	1.6	2.4	2.4	2.2	2.0	1.8	1.6	-	-
	1VP30	1.8	2.6	2.6	2.4	2.2	2.0	1.8	-	-
	1VP34	1.7	2.5	2.5	2.3	2.1	1.9	1.7	-	-
	2VP36	1.9	2.7	2.7	2.5	2.3	2.1	1.9	-	-
	1VP40	2.3	3.1	3.1	2.9	2.7	2.5	2.3	-	-
	2VP42	2.5	3.3	3.3	3.1	2.9	2.7	2.5	-	-
	1VP44	2.7	3.5	3.5	3.3	3.1	2.9	2.7	-	-
	1VP50 & 2VP50	3.3	4.1	4.1	3.9	3.7	3.5	3.3	-	-
	1VP56 & 2VP56	3.9	4.7	4.7	4.5	4.3	4.1	3.9	-	-
	1VP60 & 2VP60	-	-	-	-	-	-	-	-	-
	1VP62 & 2VP62	4.5	5.3	5.3	5.1	4.9	4.7	4.5	-	-
	1VP65 & 2VP65	-	-	-	-	-	-	-	-	-
	1VP68 & 2VP68	5.1	5.9	5.9	5.7	5.5	5.3	5.1	-	-
	1VP71 & 2VP71	-	-	-	-	-	-	-	-	-
1VP75 & 2VP75	-	-	-	-	-	-	-	-	-	
(4L) A Belt	1VP34	1.9	2.9	2.9	2.7	2.5	2.3	2.1	1.9	-
	2VP36	2.0	3.0	3.0	2.8	2.6	2.4	2.2	2.0	-
	1VP40	2.4	3.4	3.4	3.2	3.0	2.8	2.6	2.4	-
	2VP42	2.6	3.6	3.6	3.4	3.2	3.0	2.8	2.6	-
	1VP44	2.8	3.8	3.8	3.6	3.4	3.2	3.0	2.8	-
	1VP50 & 2VP50	3.4	4.4	4.4	4.2	4.0	3.8	3.6	3.4	-
	1VP56 & 2VP56	4.0	5.0	5.0	4.8	4.6	4.4	4.2	4.0	-
	1VP60 & 2VP60	4.2	5.2	5.2	5.0	4.8	4.6	4.4	4.2	-
	1VP62 & 2VP62	4.6	5.6	5.6	5.4	5.2	5.0	4.8	4.6	-
	1VP65 & 2VP65	4.7	5.7	5.7	5.5	5.3	5.1	4.9	4.7	-
	1VP68 & 2VP68	5.2	6.2	6.2	6.0	5.8	5.6	5.4	5.2	-
1VP71 & 2VP71	5.3	6.3	6.3	6.1	5.9	5.7	5.5	5.3	-	
1VP75 & 2VP75	5.7	6.7	6.7	6.5	6.3	6.1	5.9	5.7	-	
(5L) B Belt	1VP34	2.4	3.2	-	3.2	3.0	2.8	2.6	2.4	-
	2VP36	2.5	3.3	-	3.3	3.1	2.9	2.7	2.5	-
	1VP40	2.7	3.7	-	3.7	3.5	3.3	3.1	2.9	2.7
	2VP42	2.9	3.9	-	3.9	3.7	3.5	3.3	3.1	2.9
	1VP44	3.1	4.1	-	4.1	3.9	3.7	3.5	3.3	3.1
	1VP50 & 2VP50	3.7	4.7	-	4.7	4.5	4.3	4.1	3.9	3.7
	1VP56 & 2VP56	4.3	5.3	-	5.3	5.1	4.9	4.7	4.5	4.3
	1VP60 & 2VP60	4.3	5.5	5.5	5.3	5.1	4.9	4.7	4.5	4.3
	1VP62 & 2VP62	4.9	5.9	-	5.9	5.7	5.5	5.3	5.1	4.9
	1VP65 & 2VP65	4.8	6.0	6.0	5.8	5.6	5.4	5.2	5.0	4.8
	1VP68 & 2VP68	5.5	6.5	-	6.5	6.3	6.1	5.9	5.7	5.5
1VP71 & 2VP71	5.4	6.6	6.6	6.4	6.2	6.0	5.8	5.6	5.4	
1VP75 & 2VP75	5.8	7.0	7.0	6.8	6.6	6.4	6.2	6.0	5.8	
5V Belt	1VP34	-	-	-	-	-	-	-	-	-
	2VP36	-	-	-	-	-	-	-	-	-
	1VP40	-	-	-	-	-	-	-	-	-
	2VP42	-	-	-	-	-	-	-	-	-
	1VP44	-	-	-	-	-	-	-	-	-
	1VP50 & 2VP50	-	-	-	-	-	-	-	-	-
	1VP56 & 2VP56	-	-	-	-	-	-	-	-	-
	1VP60 & 2VP60	-	-	-	-	-	-	-	-	-
	1VP62 & 2VP62	5.3	6.3	-	6.3	6.1	5.9	5.7	5.5	5.3
	1VP65 & 2VP65	5.2	6.4	6.4	6.2	6.0	5.8	5.6	5.4	5.2
	1VP68 & 2VP68	5.9	6.9	-	6.9	6.7	6.5	6.3	6.1	5.9
1VP71 & 2VP71	5.8	7.0	7.0	6.8	6.6	6.4	6.2	6.0	5.8	
1VP75 & 2VP75	6.2	7.4	7.4	7.2	7.0	6.8	6.6	6.4	6.2	

P.D. for "3L" belts = Datum Dia. "3L" belts + .25  
 P.D. for "A" (4L) belts = Datum Dia. "A" belts + .25

P.D. for "B" (5L) belts = Datum Dia. "B" belts + .35  
 P.D. for "5V" belts = Datum Dia. "5V" belts + .10



## Heavy Duty Adjustable Pitch Sheaves



### Features:

- Designed for up to 40 HP @ 1750 RPM
- Used with A, B, 3V & 5V belts

### Note:

- Every turn of the adjustment screw moves the flange by 1/16 in.

### HOW TO ORDER

EXAMPLE: **MVS150X1-3/8**

**MVS150** X **1-3/8**

**MVS150:** ADJUSTABLE PITCH SHEAVE SIZE

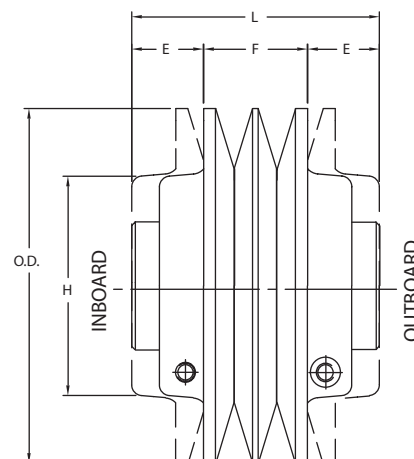
Last three digits represent the outside diameter in mm 150mm = 5.905 in.

**1-3/8:** BORE SIZE (1-3/8 IN.)

**Bore size:** Inch bore sizes are designated with the whole inch followed by the fraction. For example, a 1.5 in. diameter bore would be 1-1/2 in.

### Pulley Adjustment

Modify the sheave pitch diameter by using the adjustment screw. Every turn of the adjustment screw moves the flanges by 1/16 in. Once the required diameter is obtained, tighten the locking screw.



# Heavy Duty Adjustable Pitch Sheaves

## DIMENSIONS

Part No.	Cross Ref.	O.D.	Dimensions						Stock Bore Part Numbers					Wt. (lbs.)
			F		E		L	H	1-1/8	1-3/8	1-5/8	1-7/8	2-1/8	
			Min.	Max.	Min.	Max.								
MVS130	JVS 130	5.118	1.73	2.27	0.75	1.02	3.77	3.15	MVS130X1-1/8	MVS130X1-3/8	-	-	-	8.5
MVS150	JVS 150	5.905	1.73	2.59	0.77	1.20	4.13	3.62	MVS150X1-1/8	MVS150X1-3/8	MVS150X1-5/8	-	-	12.1
MVS170	JVS 170	6.692	1.73	2.59	0.77	1.20	4.13	3.62	MVS170X1-1/8	MVS170X1-3/8	MVS170X1-5/8	-	-	14.8
MVS190	JVS 190	7.480	1.73	2.59	0.77	1.20	4.13	5.12	-	MVS190X1-3/8	MVS190X1-5/8	MVS190X1-7/8	-	23.2
MVS210	JVS 210	8.268	1.73	2.59	0.77	1.20	4.13	5.12	-	MVS210X1-3/8	MVS210X1-5/8	MVS210X1-7/8	MVS210X2-1/8	27.0
MVS230	JVS 230	9.055	1.73	2.59	0.77	1.20	4.13	5.12	-	MVS230X1-3/8	MVS230X1-5/8	MVS230X1-7/8	MVS230X2-1/8	30.4

## DATUM DIAMETERS

	Part No.	Datum Diameter, Inches									
		Min.	Max.	0 Turn Close	1 Turn Open	2 Turns Open	3 Turns Open	4 Turns Open	5 Turns Open	6 Turns Open	7 Turns Open
A Belt	MVS130	3.45	4.47	4.47	4.26	4.06	3.85	3.65	3.45	-	-
	MVS150	4.23	5.25	5.25	5.05	4.85	4.64	4.44	4.23	-	-
	MVS170	4.81	6.04	6.04	5.84	5.63	5.43	5.22	5.02	4.81	-
	MVS190	5.60	6.83	6.83	6.62	6.42	6.21	6.01	5.81	5.60	-
	MVS210	6.40	7.63	7.63	7.43	7.22	7.02	6.81	6.61	6.40	-
	MVS230	7.19	8.42	8.42	8.21	8.01	7.81	7.60	7.40	7.19	-
B Belt	MVS130	3.63	4.86	4.86	4.65	4.45	4.24	4.04	3.84	3.63	-
	MVS150	4.21	5.65	5.65	5.44	5.24	5.03	4.83	4.62	4.42	4.21
	MVS170	5.00	6.43	6.43	6.23	6.02	5.82	5.61	5.41	5.21	5.00
	MVS190	5.79	7.22	7.22	7.01	6.81	6.60	6.40	6.20	5.99	5.79
	MVS210	6.59	8.02	8.02	7.82	7.61	7.41	7.20	7.00	6.80	6.59
	MVS230	7.38	8.81	8.81	8.61	8.40	8.20	7.99	7.79	7.58	7.38
3V Belt	MVS130	3.56	4.17	4.17	3.97	3.77	3.56	-	-	-	-
	MVS150	4.35	4.96	4.96	4.76	4.55	4.35	-	-	-	-
	MVS170	5.13	5.75	5.75	5.54	5.34	5.13	-	-	-	-
	MVS190	5.92	6.53	6.53	6.33	6.13	5.92	-	-	-	-
	MVS210	6.73	7.34	7.34	7.13	6.93	6.73	-	-	-	-
	MVS230	7.51	8.13	8.13	7.92	7.72	7.51	-	-	-	-
5V Belt	MVS130	-	-	-	-	-	-	-	-	-	-
	MVS150*	4.31	5.74	5.74	5.54	5.33	5.13	4.93	4.72	4.52	4.31
	MVS170*	5.10	6.53	6.53	6.33	6.12	5.92	5.71	5.51	5.30	5.10
	MVS190	5.88	7.32	7.32	7.11	6.91	6.7	6.50	6.29	6.09	5.88
	MVS210	6.69	8.12	8.12	7.92	7.71	7.51	7.30	7.10	6.89	6.69
	MVS230	7.48	8.91	8.91	8.70	8.50	8.29	8.09	7.89	7.68	7.48

\* IMPORTANT: Recommended for use with narrow cog belts only.

P.D. for "A" belt = Datum Dia. "A" belt + .25

P.D. for "B" belt = Datum Dia. "B" belt + .35

P.D. for "3V" belts = Datum Dia. "3V" belts + .05

P.D. for "5V" belts = Datum Dia. "5V" belts + .10

## Split Taper Versa-V Sheaves



### Features:

- Used with conventional A, B and 5V belts
- Available in 1 to 4 grooves
- B bushing used with the majority of the Versa-V sheaves, bores 1/2 in. to 2-7/16 in.
- Popular in HVAC, wood processing industry, bulk material handling and package material handling.

### Note:

- The type of sheave construction is indicated in the column entitled Type. The number refers to the drawing and the letter as follows:

A = arms; B = block; W = web.

### HOW TO ORDER

EXAMPLE: **2VV54**

**2VV**

**54**

**2:** NUMBER OF GROOVES

**VV:** TYPE OF SHEAVES

**54:** DATUM DIAMETER FOR B BELTS (5.4 IN.)

Split Taper Versa-V Sheaves



BUSHINGS & HUBS

SHEAVES

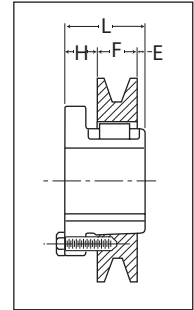
SYNCHRONOUS DRIVES

COUPLINGS

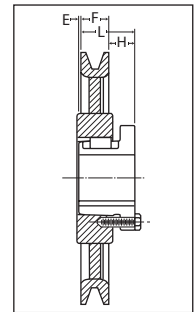
PART NUMBER INDEX

1 GROOVE

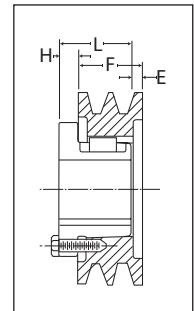
Part No.	Cross Ref.	Diameters				F = 1 inch					Weight (lbs.)
		Outside	Datum A Belts	Datum B Belts	Pitch 5V Belts	H	Type	B	L	E	
1VV42	1B5V42	4.48	3.8	4.2	4.5	5/8	1B	P1	1-15/16	5/16	2.5
1VV44	1B5V44	4.68	4	4.4	4.5	5/8	1B	P1	1-15/16	5/16	2.8
1VV46	1B5V46	4.88	4.2	4.6	4.7	3/4	1B	B	1-15/16	3/16	2.5
1VV48	1B5V48	5.08	4.4	4.8	4.9	3/4	1B	B	1-15/16	3/16	2.9
1VV50	1B5V50	5.28	4.6	5	5.1	3/4	1B	B	1-15/16	3/16	3.3
1VV52	1B5V52	5.48	4.8	5.2	5.3	3/4	1B	B	1-15/16	3/16	3.7
1VV54	1B5V54	5.68	5	5.4	5.5	3/4	1B	B	1-15/16	3/16	4.1
1VV56	1B5V56	5.88	5.2	5.6	5.7	3/4	1B	B	1-15/16	3/16	4.5
1VV58	1B5V58	6.08	5.4	5.8	5.9	3/4	1B	B	1-15/16	3/16	5
1VV60	1B5V60	6.28	5.6	6	6.1	3/4	1B	B	1-15/16	3/16	5.4
1VV62	1B5V62	6.48	5.8	6.2	6.3	3/4	1W	B	1-15/16	3/16	5.3
1VV64	1B5V64	6.68	6	6.4	6.5	3/4	1W	B	1-15/16	3/16	5.6
1VV66	1B5V66	6.88	6.2	6.6	6.7	3/4	1W	B	1-15/16	3/16	6
1VV68	1B5V68	7.08	6.4	6.8	6.9	3/4	1W	B	1-15/16	3/16	6.4
1VV70	1B5V70	7.28	6.6	7	7.1	3/4	1W	B	1-15/16	3/16	6.8
1VV74	1B5V74	7.68	7	7.4	7.5	3/4	1W	B	1-15/16	3/16	7.7
1VV80	1B5V80	8.28	7.6	8	8.1	7/8	2A	B	1-15/16	3/16	7.5
1VV86	1B5V86	8.88	8.2	8.6	8.7	7/8	2A	B	1-15/16	3/16	7.9
1VV90	1B5V90	9.28	8.6	9	9.1	7/8	2A	B	1-15/16	3/16	8.2
1VV94	1B5V94	9.68	9	9.4	9.5	7/8	2A	B	1-15/16	3/16	8.5
1VV110	1B5V110	11.28	10.6	11	11.1	7/8	2A	B	1-15/16	3/16	10.3
1VV124	1B5V124	12.68	12	12.4	12.5	7/8	2A	B	1-15/16	3/16	11.5
1VV136	1B5V136	13.88	13.2	13.6	13.7	7/8	2A	B	1-15/16	3/16	13.3
1VV155	1B5V155	15.68	15	15.4	15.5	7/8	2A	B	1-15/16	3/16	15.5
1VV160	1B5V160	16.28	15.6	16	16.1	7/8	2A	B	1-15/16	3/16	16.6
1VV184	1B5V184	18.68	18	18.4	18.5	7/8	2A	B	1-15/16	3/16	20
1VV200	1B5V200	20.28	19.5	20	20.1	7/8	2A	B	1-15/16	3/16	21.8
1VV234	1B5V234	23.68	22.9	23.4	23.5	7/8	2A	B	1-15/16	3/16	28.2
1VV250	1B5V250	25.28	24.5	25	25.1	7/8	2A	B	1-15/16	3/16	31.4
1VV278	1B5V278	28.08	27.3	27.8	27.9	7/8	2A	B	1-15/16	3/16	36.5



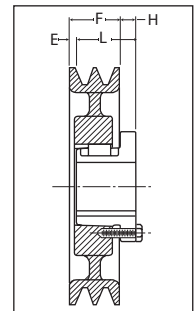
TYPE 1



TYPE 2



TYPE 3



TYPE 4

2 GROOVES

Part No.	Cross Ref.	Diameters				F = 1-23/32 inches					Weight (lbs.)
		Outside	Datum A Belts	Datum B Belts	Pitch 5V Belts	H	Type	B	L	E	
2VV42	2B5V42	4.48	3.8	4.2	4.3	5/8	5	P1	1-15/16	13/32	3.7
2VV44	2B5V44	4.68	4	4.4	4.5	7/32	3	P1	1-15/16	0	4.1
2VV46	2B5V46	4.88	4.2	4.6	4.7	33/64	3	B	1-15/16	0	3.3
2VV48	2B5V48	5.08	4.4	4.8	4.9	33/64	3	B	1-15/16	11/64	3.9
2VV50	2B5V50	5.28	4.6	5	5.1	33/64	3	B	1-15/16	11/64	4.6
2VV52	2B5V52	5.48	4.8	5.2	5.3	33/64	3	B	1-15/16	11/64	5.3
2VV54	2B5V54	5.68	5	5.4	5.5	33/64	3	B	1-15/16	11/64	6
2VV56	2B5V56	5.88	5.2	5.6	5.7	33/64	3	B	1-15/16	11/64	6.7
2VV58	2B5V58	6.08	5.4	5.8	5.9	33/64	3	B	1-15/16	11/64	7.4
2VV60	2B5V60	6.28	5.6	6	6.1	33/64	3	B	1-15/16	11/64	8.2
2VV62	2B5V62	6.48	5.8	6.2	6.3	33/64	3	B	1-15/16	11/64	9.2
2VV64	2B5V64	6.68	6	6.4	6.5	33/64	3	B	1-15/16	11/64	8.4
2VV66	2B5V66	6.88	6.2	6.6	6.7	33/64	3	B	1-15/16	11/64	11.4
2VV68	2B5V68	7.08	6.4	6.8	6.9	33/64	4W	B	1-15/16	11/64	10.2
2VV70	2B5V70	7.28	6.6	7	7.1	33/64	4W	B	1-15/16	11/64	12.3
2VV74	2B5V74	7.68	7	7.4	7.5	33/64	4W	B	1-15/16	11/64	14.2
2VV80	2B5V80	8.28	7.6	8	8.1	33/64	4A	B	1-15/16	11/64	11.3
2VV86	2B5V86	8.88	8.2	8.6	8.7	33/64	4A	B	1-15/16	11/64	10.6
2VV90	2B5V90	9.28	8.6	9	9.1	33/64	4A	B	1-15/16	11/64	11.1
2VV94	2B5V94	9.68	9	9.4	9.5	33/64	4A	B	1-15/16	11/64	11.6
2VV110	2B5V110	11.28	10.6	11	11.1	33/64	4A	B	1-15/16	11/64	14.4
2VV124	2B5V124	12.68	12	12.4	12.5	33/64	4A	B	1-15/16	11/64	17.1
2VV136	2B5V136	13.88	13.2	13.6	13.7	33/64	4A	B	1-15/16	11/64	19.3

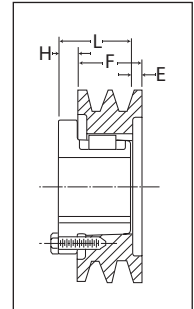
\* Please contact Baldor for lead time.

**Split Taper Versa-V Sheaves**



**2 GROOVES**

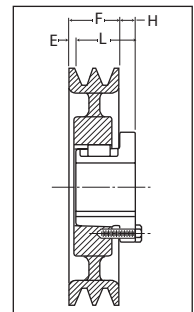
Part No.	Cross Ref.	Diameters				F = 1-23/32 inches					Weight (lbs.)
		Outside	Datum A Belts	Datum B Belts	Pitch 5V Belts	H	Type	B	L	E	
2VV155	2B5V155	15.68	15	15.4	15.5	33/64	4A	B	1-15/16	11/64	23.2
2VV160	2B5V160	16.28	15.6	16	16.1	33/64	4A	B	1-15/16	11/64	24.2
2VV184*	2B5V184	18.68	18	18.4	18.5	33/64	4A	B	1-15/16	11/64	33.2
2VV200*	2B5V200	20.28	19.5	20	20.1	33/64	4A	B	1-15/16	11/64	34.8
2VV234*	2B5V234	23.68	22.9	23.4	23.5	33/64	4A	B	1-15/16	11/64	37.9
2VV250*	2B5V250	25.28	24.5	25	25.1	33/64	4A	B	1-15/16	11/64	47
2VV278*	2B5V278	28.08	27.3	27.8	27.9	33/64	4A	B	1-15/16	11/64	55.9



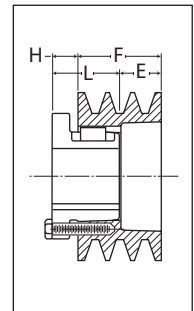
**TYPE 3**

**3 GROOVES**

Part No.	Cross Ref.	Diameters				F = 2-7/16 inches					Weight (lbs.)
		Outside	Datum A Belts	Datum B Belts	Pitch 5V Belts	H	Type	B	L	E	
3VV42	3B5V42	4.48	3.8	4.2	4.3	5/8	5	P1	1-15/16	1-1/8	4.8
3VV44	3B5V44	4.68	4	4.4	4.5	1/32	3	P1	1-15/16	17/32	5.2
3VV46	3B5V46	4.88	4.2	4.6	4.7	3/4	5	B	1-15/16	1-3/16	4.9
3VV48	3B5V48	5.08	4.4	4.8	4.9	3/4	5	B	1-15/16	1-3/16	5.5
3VV50	3B5V50	5.28	4.6	5	5.1	3/4	5	B	1-15/16	1-3/16	6.1
3VV52	3B5V52	5.48	4.8	5.2	5.3	3/4	5	B	1-15/16	1-3/16	6.7
3VV54	3B5V54	5.68	5	5.4	5.5	5/32	3	B	1-15/16	19/32	7.4
3VV56	3B5V56	5.88	5.2	5.6	5.7	5/32	3	B	1-15/16	17/32	8.4
3VV58	3B5V58	6.08	5.4	5.8	5.9	5/32	3	B	1-15/16	17/32	9.5
3VV60	3B5V60	6.28	5.6	6	6.1	5/32	3	B	1-15/16	17/32	10.6
3VV62	3B5V62	6.48	5.8	6.2	6.3	5/32	3	B	1-15/16	17/32	9.8
3VV64	3B5V64	6.68	6	6.4	6.5	5/32	3	B	1-15/16	17/32	10.5
3VV66	3B5V66	6.88	6.2	6.6	6.7	5/32	3	B	1-15/16	17/32	10.4
3VV68	3B5V68	7.08	6.4	6.8	6.9	5/32	4W	B	1-15/16	17/32	10.9
3VV70	3B5V70	7.28	6.6	7	7.1	5/32	4W	B	1-15/16	17/32	11.5
3VV74	3B5V74	7.68	7	7.4	7.5	5/32	4W	B	1-15/16	17/32	12.6
3VV80	3B5V80	8.28	7.6	8	8.1	5/32	4A	B	1-15/16	17/32	14.2
3VV86	3B5V86	8.88	8.2	8.6	8.7	5/32	4A	B	1-15/16	17/32	13.7
3VV90	3B5V90	9.28	8.6	9	9.1	5/32	4A	B	1-15/16	17/32	14.5
3VV94	3B5V94	9.68	9	9.4	9.5	5/32	4A	B	1-15/16	17/32	17
3VV110	3B5V110	11.28	10.6	11	11.1	5/32	4A	B	1-15/16	17/32	19.8
3VV124	3B5V124	12.68	12	12.4	12.5	5/32	4A	B	1-15/16	17/32	22.1
3VV136	3B5V136	13.88	13.2	13.6	13.7	5/32	4A	B	1-15/16	17/32	24.9
3VV155	3B5V155	15.68	15	15.4	15.5	5/32	4A	B	1-15/16	17/32	30.4
3VV160	3B5V160	16.28	15.6	16	16.1	5/32	4A	B	1-15/16	17/32	31.7
3VV184*	3B5V184	18.68	18	18.4	18.5	5/32	4A	B	1-15/16	17/32	40.9
3VV200*	3B5V200	20.28	19.5	20	20.1	5/32	4A	B	1-15/16	17/32	47.6
3VV234*	3B5V234	23.68	22.9	23.4	23.5	5/32	4A	B	1-15/16	17/32	61.5
3VV250*	3B5V250	25.28	24.5	25	25.1	5/32	4A	B	1-15/16	17/32	66.6
3VV278*	3B5V278	28.08	27.3	27.8	27.9	5/32	4A	B	1-15/16	17/32	79.1



**TYPE 4**



**TYPE 5**

\* Please contact Baldor for lead time.

BUSHINGS & HUBS

SHEAVES

SYNCHRONOUS DRIVES

COUPLINGS

PART NUMBER INDEX

Split Taper Versa-V Sheaves



BUSHINGS & HUBS

SHEAVES

SYNCHRONOUS DRIVES

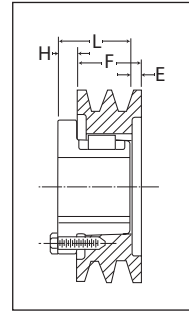
COUPLINGS

PART NUMBER INDEX

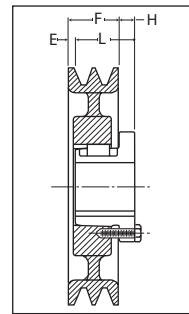
4 GROOVES

Part No.	Cross Ref.	Diameters				F = 3-5/32 inches					Weight (lbs.)
		Outside	Datum A Belts	Datum B Belts	Pitch 5V Belts	H	Type	B	L	E	
4VV42	4B5V42	4.48	3.8	4.2	4.3	5/8	5	P1	1-15/16	-	5.9
4VV44	4B5V44	4.68	4.0	4.4	4.5	3/64	3	P1	1-15/16	-	6.3
4VV46	4B5V46	4.88	4.2	4.6	4.7	3/4	5	B	1-15/16	-	6.1
4VV48	4B5V48	5.08	4.4	4.8	4.9	3/4	5	B	1-15/16	-	6.7
4VV50	4B5V50	5.28	4.6	5.0	5.1	3/4	5	B	1-15/16	-	7.4
4VV52	4B5V52	5.48	4.8	5.2	5.3	3/4	5	B	1-15/16	-	8.0
4VV54	4B5V54	5.68	5.0	5.4	5.5	-	3	B	1-15/16	61/64	8.9
4VV56	4B5V56	5.88	5.2	5.6	5.7	-	3	B	1-15/16	57/64	9.5
4VV58	4B5V58	6.08	5.4	5.8	5.9	-	3	B	1-15/16	57/64	10.3
4VV60	4B5V60	6.28	5.6	6.0	6.1	-	3	B	1-15/16	57/64	11.0
4VV62	4B5V62	6.48	5.8	6.2	6.3	-	3	B	1-15/16	57/64	11.3
4VV64	4B5V64	6.68	6.0	6.4	6.5	-	3	B	1-15/16	57/64	12.1
4VV66	4B5V66	6.88	6.2	6.6	6.7	-	3	B	1-15/16	57/64	12.0
4VV68	4B5V68	7.08	6.4	6.8	6.9	-	3	B	1-15/16	57/64	12.6
4VV70	4B5V70	7.28	6.6	7.0	7.1	-	4W	B	1-15/16	57/64	13.2
4VV74	4B5V74	7.68	7.0	7.4	7.5	-	4W	B	1-15/16	57/64	14.5
4VV80	4B5V80	8.28	7.6	8.0	8.1	-	4A	B	1-15/16	57/64	15.2
4VV86	4B5V86	8.88	8.2	8.6	8.7	-	4A	B	1-15/16	57/64	16.6
4VV90	4B5V90	9.28	8.6	9.0	9.1	-	4A	B	1-15/16	57/64	17.6
4VV94	4B5V94	9.68	9.0	9.4	9.5	-	4A	B	1-15/16	57/64	20.0
4VV110	4B5V110	11.28	10.6	11.0	11.1	-	4A	B	1-15/16	57/64	22.8
4VV124	4B5V124	12.68	12.0	12.4	12.5	-	4A	B	1-15/16	57/64	26.5
4VV136	4B5V136	13.88	13.2	13.6	13.7	-	4A	B	1-15/16	57/64	30.7
4VV155	4B5V155	15.68	15.0	15.4	15.5	-	4A	B	1-15/16	57/64	37.9
4VV160	4B5V160	16.28	15.6	16.0	16.1	-	4A	B	1-15/16	57/64	40.5
4VV184*	4B5V184	18.68	18.0	18.4	18.5	-	4A	B	1-15/16	57/64	50.7
4VV200*	4B5V200	20.28	19.5	20.0	20.1	-	4A	B	1-15/16	57/64	58.5
4VV234*	4B5V234	23.68	22.9	23.4	23.5	-	4A	B	1-15/16	57/64	73.9
4VV250*	4B5V250	25.28	24.5	25.0	25.1	-	4A	B	1-15/16	57/64	83.8
4VV278*	4B5V278	28.08	27.3	27.8	27.9	-	4A	B	1-15/16	57/64	94.3

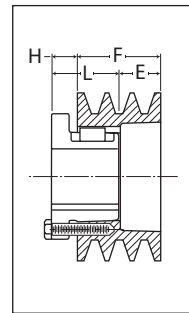
\* Please contact Baldor for lead time.



TYPE 3



TYPE 4



TYPE 5

## Split Taper TB Sheaves



### Features:

- Used with conventional “A” and “B” belts
- Available in 1 to 3 grooves
- P1 bushing used with the majority of the TB sheaves
- General industrial applications

### Note:

- The type of sheave construction is indicated in the column entitled Type. The number refers to the drawing and the letter as follows:

A = arms; B = block; W = web.

## HOW TO ORDER

EXAMPLE: **2TB155**



**2:** NUMBER OF GROOVES

**TB:** TYPE OF SHEAVES

**155:** DATUM DIAMETER FOR B BELTS (15.4 IN.)



Split Taper TB Sheaves

BUSHINGS & HUBS

SHEAVES

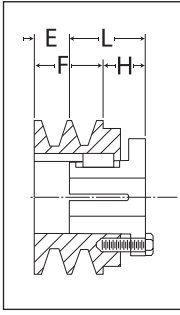
SYNCHRONOUS DRIVES

COUPLINGS

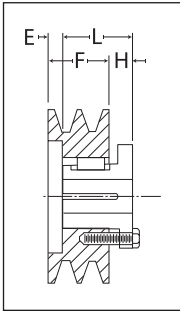
PART NUMBER INDEX

1 GROOVE

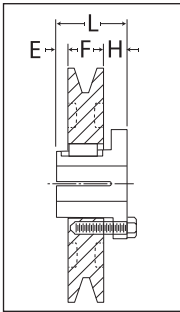
Part No.	Cross Ref.	Diameters			F = 1 inch					Weight
		Outside	Datum A Belts	Datum B Belts	H	Type	B	L	E	
1TB34	1TB34	3.75	3	3.4	1-1/16	2	P1	1-15/16	1/8	2
1TB36	1TB36	3.95	3.6	3.2	1-1/16	2	P1	1-15/16	1/8	2.3
1TB38	1TB38	4.15	3.4	3.8	1-1/16	2	P1	1-15/16	1/8	2.6
1TB40	1TB40	4.35	3.6	4	5/8	10B	P1	1-15/16	5/16	2.1
1TB42	1TB42	4.55	3.8	4.2	5/8	10B	P1	1-15/16	5/16	2.4
1TB44	1TB44	4.75	4	4.4	5/8	10B	P1	1-15/16	5/16	2.8
1TB46	1TB46	4.95	4.2	4.6	5/8	10B	P1	1-15/16	5/16	3.1
1TB48	1TB48	5.15	4.4	4.8	5/8	10B	P1	1-15/16	5/16	3.5
1TB50	1TB50	5.35	4.6	5	5/8	10B	P1	1-15/16	5/16	3.9
1TB52	1TB52	5.55	4.8	5.2	5/8	10B	P1	1-15/16	5/16	4.1
1TB54	1TB54	5.75	5	5.4	5/8	10B	P1	1-15/16	5/16	4.6
1TB56	1TB56	5.95	5.2	5.6	5/8	10B	P1	1-15/16	5/16	5.1
1TB58	1TB58	6.15	5.4	5.8	5/8	10B	P1	1-15/16	5/16	5.6
1TB60	1TB60	6.35	5.6	6	5/8	10W	P1	1-15/16	5/16	6
1TB62	1TB62	6.55	5.8	6.2	5/8	10W	P1	1-15/16	5/16	5.5
1TB64	1TB64	6.75	6	6.4	5/8	10W	P1	1-15/16	5/16	5.8
1TB66	1TB66	6.95	6.2	6.6	5/8	10W	P1	1-15/16	5/16	5.9
1TB68	1TB68	7.15	6.4	6.8	5/8	10W	P1	1-15/16	5/16	6.1
1TB70	1TB70	7.35	6.6	7	25/32	16A	P1	1-15/16	5/32	6.4
1TB74	1TB74	7.75	7	7.4	25/32	16A	P1	1-15/16	5/32	7.3
1TB80	1TB80	8.35	7.6	8	25/32	16A	P1	1-15/16	5/32	7.8
1TB86	1TB86	8.95	8.2	8.6	25/32	16A	P1	1-15/16	5/32	8.6
1TB90	1TB90	9.35	8.6	9	25/32	16A	P1	1-15/16	5/32	8.9
1TB94	1TB94	9.75	9	9.4	25/32	16A	P1	1-15/16	5/32	9.1
1TB110	1TB110	11.35	10.6	11	25/32	16A	P1	1-15/16	5/32	11.1
1TB124	1TB124	12.75	12	12.4	1-1/8	16A	Q1	2-1/2	3/8	17.8
1TB136	1TB136	13.95	13.2	13.6	1-1/8	16A	Q1	2-1/2	3/8	18.2
1TB155	1TB155	15.75	15	15.4	1-1/8	16A	Q1	2-1/2	3/8	20.3
1TB160	1TB160	16.35	15.6	16	1-1/8	16A	Q1	2-1/2	3/8	22
1TB184*	1TB184	18.75	18	18.4	1-1/8	16A	Q1	2-1/2	3/8	27.5
1TB200*	1TB200	20.35	19.5	20	1-1/8	16A	Q1	2-1/2	3/8	27.2
1TB250*	1TB250	25.35	24.5	25	1-1/8	16A	Q1	2-1/2	3/8	42.4
1TB300*	1TB300	30.35	29.5	30	1-1/8	16A	Q1	2-1/2	3/8	56
1TB380*	1TB380	38.35	37.5	38	1-1/8	16A	Q1	2-1/2	3/8	78



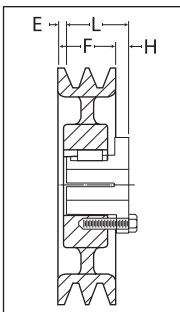
TYPE 2



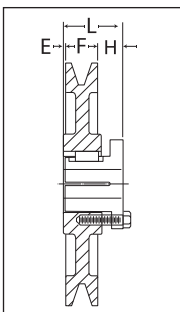
TYPE 5



TYPE 10



TYPE 13



TYPE 16

2 GROOVES

Part No.	Cross Ref.	Diameters			F = 1-3/4 inches					Weight
		Outside	Datum A Belts	Datum B Belts	H	Type	B	L	E	
2TB34	2TB34	3.75	3	3.4	1-1/16	2	P1	1-15/16	7/8	2.9
2TB36	2TB36	3.95	3.2	3.6	1-1/16	2	P1	1-15/16	7/8	3.8
2TB38	2TB38	4.15	3.4	3.8	5/8	5	P1	1-15/16	7/16	3
2TB40	2TB40	4.35	3.6	4	5/8	5	P1	1-15/16	7/16	3.8
2TB42	2TB42	4.55	3.8	4.2	5/8	5	P1	1-15/16	7/16	3.9
2TB44	2TB44	4.75	4	4.4	3/16	13B	P1	1-15/16	0	3.9
2TB46	2TB46	4.95	4.2	4.6	3/16	13B	P1	1-15/16	0	4.5
2TB48	2TB48	5.15	4.4	4.8	3/16	13B	P1	1-15/16	0	5.3
2TB50	2TB50	5.35	4.6	5	3/16	13B	P1	1-15/16	0	5.6
2TB52	2TB52	5.55	4.8	5.2	3/16	13B	P1	1-15/16	0	6.1
2TB54	2TB54	5.75	5	5.4	3/16	13B	P1	1-15/16	0	6.5
2TB56	2TB56	5.95	5.2	5.6	3/16	13B	P1	1-15/16	0	7.4
2TB58	2TB58	6.15	5.4	5.8	3/16	13B	P1	1-15/16	0	8
2TB60	2TB60	6.35	5.6	6	3/16	13B	P1	1-15/16	0	8.9
2TB62	2TB62	6.55	5.8	6.2	3/16	13W	P1	1-15/16	0	7.6
2TB64	2TB64	6.75	6	6.4	3/16	13W	P1	1-15/16	0	7.8

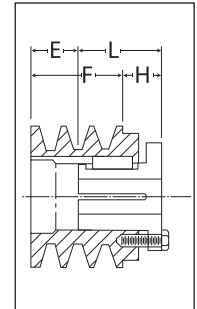
\* Please contact Baldor for lead time.



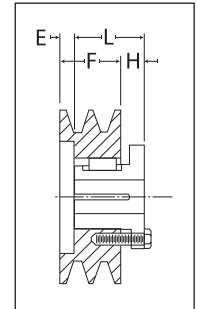
Split Taper TB Sheaves

2 GROOVES

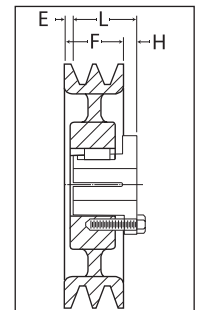
Part No.	Cross Ref.	Diameters			F = 1-3/4 inches					Weight
		Outside	Datum A Belts	Datum B Belts	H	Type	B	L	E	
2TB66	2TB66	6.95	6.2	6.6	3/16	13W	P1	1-15/16	0	8.3
2TB68	2TB68	7.15	6.4	6.8	3/16	13W	P1	1-15/16	0	8.8
2TB70	2TB70	7.35	6.6	7	3/4	13W	Q1	2-1/2	0	11.1
2TB74	2TB74	7.75	7	7.4	3/4	13W	Q1	2-1/2	0	11.5
2TB80	2TB80	8.35	7.6	8	3/4	13W	Q1	2-1/2	0	12.8
2TB86	2TB86	8.95	8.2	8.6	3/4	13W	Q1	2-1/2	0	16
2TB90	2TB90	9.35	8.6	9	3/4	13A	Q1	2-1/2	0	15.1
2TB94	2TB94	9.75	9	9.4	3/4	13A	Q1	2-1/2	0	15.5
2TB110	2TB110	11.35	10.6	11	3/4	13A	Q1	2-1/2	0	18.9
2TB124	2TB124	12.75	12	12.4	3/4	13A	Q1	2-1/2	0	21.1
2TB136	2TB136	13.95	13.2	13.6	3/4	13A	Q1	2-1/2	0	23
2TB155	2TB155	15.75	15	15.4	3/4	13A	Q1	2-1/2	0	24.8
2TB160	2TB160	16.35	15.6	16	3/4	13A	Q1	2-1/2	0	27
2TB184*	2TB184	18.75	18	18.4	3/4	13A	Q1	2-1/2	0	32.8
2TB200*	2TB200	20.35	19.5	20	3/4	13A	Q1	2-1/2	0	42.3
2TB250*	2TB250	25.35	24.5	25	3/4	13A	Q1	2-1/2	0	50.3
2TB300*	2TB300	30.35	29.5	30	3/4	13A	Q1	2-1/2	0	68.8
2TB380*	2TB380	38.35	37.5	38	3/4	13A	Q1	2-1/2	0	95.5



TYPE 3



TYPE 5



TYPE 13

3 GROOVES

Part No.	Cross Ref.	Diameters			F = 2-1/2 inches					Weight
		Outside	Datum A Belts	Datum B Belts	H	Type	B	L	E	
3TB34	3TB34	3.75	3	3.4	1-1/16	3	P2	2-15/16	5/8	3.8
3TB36	3TB36	3.95	3.2	3.6	1-1/16	3	P2	2-15/16	5/8	4.4
3TB38	3TB38	4.15	3.4	3.8	5/8	5	P1	1-15/16	1-3/16	3.8
3TB40	3TB40	4.35	3.6	4	5/8	5	P1	1-15/16	1-3/16	4.5
3TB42	3TB42	4.55	3.8	4.2	5/8	5	P1	1-15/16	1-3/16	4.9
3TB44	3TB44	4.75	4	4.4	0	13B	P1	1-15/16	9/16	5.1
3TB46	3TB46	4.95	4.2	4.6	0	13W	P1	1-15/16	9/16	6
3TB48	3TB48	5.15	4.4	4.8	0	13W	P1	1-15/16	9/16	6.3
3TB50	3TB50	5.35	4.6	5	0	13W	P1	1-15/16	9/16	6.9
3TB52	3TB52	5.55	4.8	5.2	0	13W	P1	1-15/16	9/16	7.5
3TB54	3TB54	5.75	5	5.4	0	13W	P1	1-15/16	9/16	8.3
3TB56	3TB56	5.95	5.2	5.6	0	13W	P1	1-15/16	9/16	9
3TB58	3TB58	6.15	5.4	5.8	0	13W	P1	1-15/16	9/16	9.6
3TB60	3TB60	6.35	5.6	6	0	13W	P1	1-15/16	9/16	10.5
3TB62	3TB62	6.55	5.8	6.2	0	13W	P1	1-15/16	9/16	9.4
3TB64	3TB64	6.75	6	6.4	0	13W	P1	1-15/16	9/16	9.5
3TB66	3TB66	6.95	6.2	6.6	0	13W	P1	1-15/16	9/16	10
3TB68	3TB68	7.15	6.4	6.8	0	13W	P1	1-15/16	9/16	10.4
3TB70	3TB70	7.35	6.6	7	3/8	13W	Q1	2-1/2	3/8	13
3TB74	3TB74	7.75	7	7.4	3/8	13W	Q1	2-1/2	3/8	13.3
3TB80	3TB80	8.35	7.6	8	3/8	13W	Q1	2-1/2	3/8	15.3
3TB86	3TB86	8.95	8.2	8.6	3/8	13W	Q1	2-1/2	3/8	18.9
3TB90	3TB90	9.35	8.6	9	3/8	13A	Q1	2-1/2	3/8	18.1
3TB94	3TB94	9.75	9	9.4	3/8	13A	Q1	2-1/2	3/8	18
3TB110	3TB110	11.35	10.6	11	3/8	13A	Q1	2-1/2	3/8	21.3
3TB124	3TB124	12.75	12	12.4	3/8	13A	Q1	2-1/2	3/8	25.4
3TB136	3TB136	13.95	13.2	13.6	3/8	13A	Q1	2-1/2	3/8	27.4
3TB155*	3TB155	15.75	15	15.4	3/8	13A	Q1	2-1/2	3/8	29.8
3TB160*	3TB160	16.35	15.6	16	3/8	13A	Q1	2-1/2	3/8	32
3TB184*	3TB184	18.75	18	18.4	3/8	13A	Q1	2-1/2	3/8	37.8
3TB200*	3TB200	20.35	19.5	20	3/8	13A	Q1	2-1/2	3/8	49.9
3TB250*	3TB250	25.35	24.5	25	3/8	13A	Q1	2-1/2	3/8	61
3TB300*	3TB300	30.35	29.5	30	3/8	13A	Q1	2-1/2	3/8	78.5
3TB380*	3TB380	38.35	37.5	38	3/8	13A	Q1	2-1/2	3/8	110

\* Please contact Baldor for lead time.

BUSHINGS & HUBS

SHEAVES

SYNCHRONOUS DRIVES

COUPLINGS

PART NUMBER INDEX

## QD Sheaves



QD SHEAVES

Dodge branded sheaves come in two bushing styles, QD and Taper-Lock®. In addition to these bushing choices, Baldor now offers choices within our QD sheaves line. Our QD sheave line comes in a standard duty (SD) and a heavy duty (HD) offering.

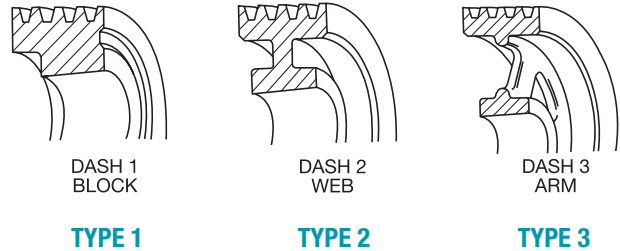
### Dodge QD HD Sheave Line offers:

- High strength solution for higher torque and heavy load applications
- Rigid hubs and high strength arms
- Quality materials
- Manufacturing to Industry recognized tolerances

Great for harsh duty applications, such as rock crushers and wood chippers.

Sheaves are manufactured in Baldor plants under strict quality control assurances. Precision machining meets or exceeds joint RMA/MPTA industry standards for smooth operation plus extended belt life. Baldor manufactures all sheaves in plants certified to ISO 9002 quality standards.

### Sheave Construction



Dodge stock sheaves are manufactured from high quality gray iron. They are given a corrosion-resistant finish before packaging and shipping. Sheave construction follows the general format illustrated above: smaller sheaves are of the block construction, intermediate sizes of the web type, and large sheaves of the arm-type construction.

## QD Sheaves

### Sheave Balance

Static balance of stock sheaves is suitable for most applications up to a rim speed of 6500 FPM. Dynamic (two-plane) balance is available at extra charge for applications that are more sensitive to vibration. Dynamic balance is recommended for operation above 6500 FPM.

### V-Drive Advantages

- Isolates shock loads and vibration.
- Misalignment capability.
- Drive ratios of 6:1 or more possible.
- Stock drive selections up to:  
1100 design HP at 1180 RPM  
800 design HP at 1770 RPM
- Low maintenance.
- No lubrication required.
- Quiet operation: Motors, etc. are normally at a higher db level than V-Drives.
- Efficiency of 93% is typical.

### Computer Selection

For fast, accurate evaluation of viable V-Drive alternatives, use the VIAVISA software program which is available on the website [www.baldor.com](http://www.baldor.com) then select [www.ptwizard.com](http://www.ptwizard.com) and VIAVISA. Just type the required information on the user-friendly input screen and let the software do the rest. All the significant data on the drive combinations is presented: Cost, RPM, shaft loading, installation tension, face width and diameter, etc. This is shown in a format that allows you to select the best drive for the application. See page 101 for complete information on VIAVISA.

### Warning

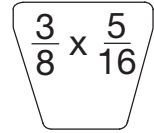
Stock sheaves are manufactured from gray iron, which is suitable for operation up to 6500 feet per minute rim speed (e.g. 14, max. dia. on a 1750 RPM motor). Operation above this rim speed may cause sheave failure resulting in personnel and/or equipment damage.

Refer to the made-to-order sheave section for constructions that are suitable for operation at higher rim speeds.

### Aramide Cord Belts Warning

Because of the high horsepower rating of Aramide (Kevlar) cord belts, stock sheaves can not be used. Contact Baldor for made to order high capacity sheaves.

## 3V QD Sheaves



BUSHINGS & HUBS

SHEAVES

SYNCHRONOUS DRIVES

COUPLINGS

PART NUMBER INDEX

1-Groove							F = *
O.D. Δ	Part No.	Description Maska Part #–Bushing Size	Wt.	Type ‡	M	K	
2.2	455100	1-3V2.20-JA	0.93	E1	0.50	0.51	
2.35	455101	1-3V2.35-JA	1.1	E1	0.50	0.51	
2.5	455102	1-3V2.50-JA	1.2	E1	0.50	0.51	
2.65	455103	1-3V2.65-JA	1.4	D1	0.14	0.37	
2.8	455104	1-3V2.80-JA	1.5	D1	0.14	0.37	
3.0	455105	1-3V3.00-JA	1.6	D1	0.14	0.37	
3.15	455106	1-3V3.15-JA	1.7	D1	0.14	0.37	
3.35	455107	1-3V3.35-JA	1.8	D1	0.14	0.37	
3.65	455108	1-3V3.65-SH	2.2	D1	0.11	0.57	
4.12	455109	1-3V4.12-SH	2.7	D1	0.05	0.63	
4.5	455110	1-3V4.50-SH	3.1	D1	0.05	0.63	
4.75	455111	1-3V4.75-SH	3.4	D1	0.05	0.63	
5.0	455112	1-3V5.00-SH	3.7	C1	0.00	0.68	
5.3	455113	1-3V5.30-SH	3.9	C1	0.00	0.68	
5.6	455114	1-3V5.60-SH	4.4	C1	0.00	0.68	
6.0	455115	1-3V6.00-SH	4.5	C1	0.00	0.68	
6.5	455116	1-3V6.50-SH	4.6	C1	0.00	0.68	
6.9	455117	1-3V6.90-SH	4.8	C1	0.00	0.68	
8.0	455118	1-3V8.00-SDS	6.6	C1	0.06	0.64	
10.6	455119	1-3V10.60-SDS	8.5	C2	0.12	0.58	
14.0	455120	1-3V14.00-SK	14.0	C3	0.44	1.33	
19.0	455121	1-3V19.00-SK	20.0	C3	0.16	1.05	

\* F=1.19 2.2 - 2.5, F=1.09 2.65 - 3.65 & 14.0 - 19.0,  
F=0.93 4.12 - 4.75, F=0.81 5.0 - 6

2-Groove							F = 1.09
O.D. Δ	Part No.	Description Maska Part #–Bushing Size	Wt.	Type ‡	M	K	
2.2	455122	2-3V2.20-JA	1.2	E1	0.50	0.51	
2.35	455123	2-3V2.35-JA	1.3	E1	0.50	0.51	
2.5	455124	2-3V2.50-JA	1.5	E1	0.50	0.51	
2.65	455125	2-3V2.65-JA	1.6	D1	0.14	0.37	
2.8	455126	2-3V2.80-JA	1.7	D1	0.14	0.37	
3.0	455127	2-3V3.00-JA	2.0	D1	0.14	0.37	
3.15	455128	2-3V3.15-JA	2.1	D1	0.14	0.37	
3.35	455129	2-3V3.35-SH	2.2	D1	0.11	0.57	
3.65	455130	2-3V3.65-SH	2.6	D1	0.11	0.57	
4.12	455131	2-3V4.12-SH	3.2	C1	0.28	0.40	
4.5	455132	2-3V4.50-SH	3.8	C1	0.28	0.40	
4.75	455133	2-3V4.75-SH	4.1	C1	0.28	0.40	
5.0	455134	2-3V5.00-SH	4.6	C1	0.28	0.40	
5.3	455135	2-3V5.30-SH	5.1	C1	0.28	0.40	
5.6	455136	2-3V5.60-SH	5.6	C1	0.28	0.40	
6.0	455137	2-3V6.00-SH	5.8	C1	0.12	0.56	
6.5	455138	2-3V6.50-SDS	6.0	C1	0.34	0.36	
6.9	455139	2-3V6.90-SDS	6.6	C1	0.34	0.36	
8.0	455140	2-3V8.00-SDS	7.8	C1	0.34	0.36	
10.6	455141	2-3V10.60-SK	14.0	C1	0.25	0.64	
14.0	455142	2-3V14.00-SK	17.0	D3	0.25	0.64	
19.0	455143	2-3V19.00-SK	24.0	D3	0.00	0.89	
25.0	455144	2-3V25.00-SF	29.0	D3	0.18	0.76	

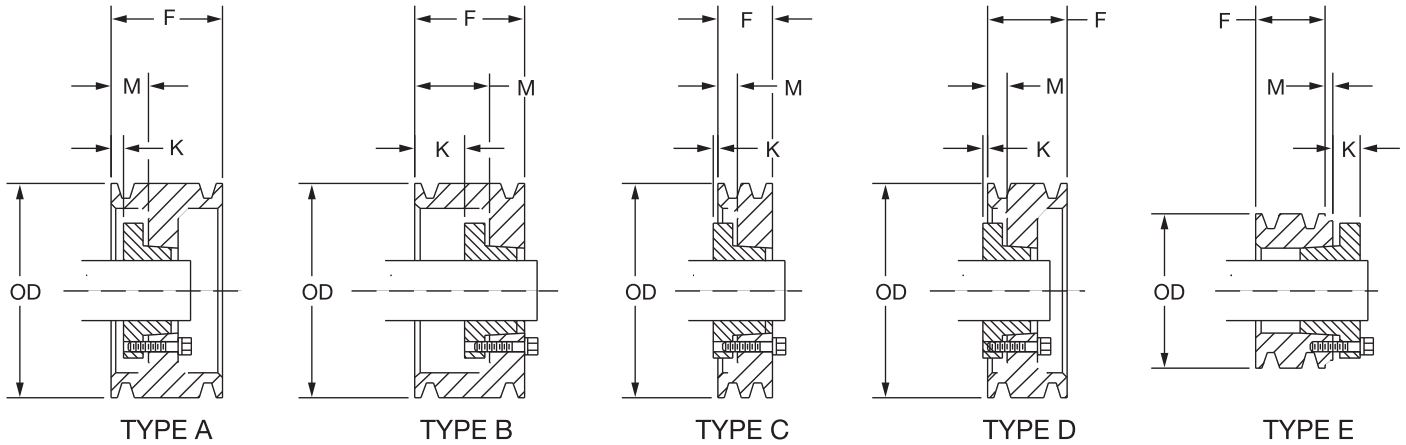
3-Groove							F = 1.50
O.D. Δ	Part No.	Description Maska Part #–Bushing Size	Wt.	Type ‡	M	K	
2.5	455145	3-3V2.5-JA	1.9	E1	0.44	0.51	
2.65	455146	3-3V2.65-JA	1.9	E1	0.00	0.51	
2.8	455147	3-3V2.80-JA	2.2	E1	0.00	0.51	
3.0	455148	3-3V3.00-SH	2.6	E1	0.52	0.68	
3.15	455149	3-3V3.15-SH	2.8	E1	0.52	0.68	
3.35	455150	3-3V3.35-SH	3.0	D1	0.11	0.57	
3.65	455151	3-3V3.65-SH	3.2	D1	0.11	0.57	
4.12	455152	3-3V4.12-SH	3.6	B1	0.69	0.01	
4.5	455153	3-3V4.50-SDS	4.3	B1	0.75	0.05	
4.75	455155	3-3V4.75-SDS	4.8	B1	0.75	0.05	
5.0	455155	3-3V5.00-SDS	5.1	B1	0.75	0.05	
5.3	455156	3-3V5.30-SDS	5.8	B1	0.75	0.05	
5.6	455157	3-3V5.60-SDS	6.5	B1	0.75	0.05	
6.0	455158	3-3V6.00-SDS	7.5	D1	0.56	0.14	
6.5	455159	3-3V6.50-SDS	7.8	B1	0.75	0.05	
6.9	455160	3-3V6.90-SDS	8.0	B1	0.75	0.05	
8.0	455161	3-3V8.00-SK	12.0	C1	0.25	0.64	
10.6	455162	3-3V10.60-SK	15.0	D2	0.25	0.64	
14.0	455163	3-3V14.00-SK	21.0	C3	0.25	0.64	
19.0	455164	3-3V19.00-SF	36.0	C3	0.25	0.69	
25.0	455165	3-3V25.00-SF	35.0	C3	0.25	0.69	
33.5	455166	3-3V33.50-SF	52.0	C3	0.25	0.69	

4-Groove							F = 1.90
O.D. Δ	Part No.	Description Maska Part #–Bushing Size	Wt.	Type ‡	M	K	
2.65	455167	4-3V2.65-JA	2.2	E1	0.00	0.51	
2.8	455168	4-3V2.80-JA	2.4	E1	0.00	0.51	
3.0	455169	4-3V3.00-SH	2.8	E1	0.38	0.68	
3.15	455170	4-3V3.15-SH	3.1	E1	0.38	0.68	
3.35	455171	4-3V3.35-SH	3.3	E1	0.38	0.68	
3.65	455172	4-3V3.65-SH	3.8	E1	0.38	0.68	
4.12	455173	4-3V4.12-SH	4.1	A1	1.09	0.41	
4.5	455174	4-3V4.50-SDS	4.6	A1	1.15	0.45	
4.75	455175	4-3V4.75-SDS	5.3	A1	1.15	0.45	
5.0	455176	4-3V5.00-SDS	5.6	A1	1.15	0.45	
5.3	455177	4-3V5.30-SDS	6.4	A1	1.15	0.45	
5.6	455178	4-3V5.60-SDS	6.9	A1	1.15	0.45	
6.0	455179	4-3V6.00-SK	9.4	D1	0.50	0.39	
6.5	455180	4-3V6.50-SK	9.5	C1	0.66	0.23	
6.9	455181	4-3V6.90-SK	11.0	C1	0.66	0.23	
8.0	455182	4-3V8.00-SK	13.0	C1	0.66	0.23	
10.6	455183	4-3V10.60-SK	18.0	D2	0.66	0.23	
14.0	455184	4-3V14.00-SK	24.0	D3	0.63	0.27	
19.0	455185	4-3V19.00-SF	40.0	D3	0.50	0.44	
25.0	455186	4-3V25.00-SF	41.0	D3	0.63	0.31	
33.5	455187	4-3V33.50-E	65.0	C3	0.34	0.86	

Δ Pitch Diameter = O.D. – .05

‡ Type 1 = Block Type, 2 = Web, 3 = Arm – See page 64.

## 3V QD Sheaves



5-Groove							F = 2.31
O.D. Δ	Part No.	Description Maska Part #–Bushing Size	Wt.	Type ‡	M	K	
4.75	455188	5-3V4.75-SDS	5.9	A1	0.75	0.05	
5.0	455189	5-3V5.00-SDS	6.3	A1	0.75	0.05	
5.3	455190	5-3V5.30-SK	8.0	A1	0.94	0.05	
5.6	455191	5-3V5.60-SK	9.0	A1	0.94	0.05	
6.0	455192	5-3V6.00-SK	11.0	A1	0.94	0.05	
6.5	455193	5-3V6.50-SK	11.0	A1	0.94	0.05	
6.9	455194	5-3V6.90-SK	12.0	A1	0.94	0.05	
8.0	455195	5-3V8.00-SK	15.0	A1	0.94	0.05	
10.6	455196	5-3V10.60-SK	20.0	A1	0.94	0.05	
14.0	455197	5-3V14.00-SF	31.0	D3	0.63	0.32	
19.0	455198	5-3V19.00-SF	46.0	D3	0.63	0.31	
25.0	455199	5-3V25.00-E	50.0	C3	0.63	0.57	
33.5	455200	5-3V33.50-E	74.0	C3	0.63	0.57	

6-Groove							F = 2.72
O.D. Δ	Part No.	Description Maska Part #–Bushing Size	Wt.	Type ‡	M	K	
4.75	455201	6-3V4.75-SK	7.1	E1	0.00	0.89	
5.0	455202	6-3V5.00-SK	7.8	E1	0.00	0.89	
5.3	455203	6-3V5.30-SK	8.6	A1	1.31	0.42	
5.6	455204	6-3V5.60-SK	8.8	A1	1.31	0.42	
6.0	455205	6-3V6.00-SK	11.0	A1	1.31	0.42	
6.5	455206	6-3V6.50-SK	12.0	A1	1.31	0.42	
6.9	455207	6-3V6.90-SK	13.0	A1	1.31	0.42	
8.0	455208	6-3V8.00-SK	17.0	D1	0.59	0.30	
10.6	455209	6-3V10.60-SF	23.0	D1	0.88	0.07	
14.0	455210	6-3V14.00-SF	33.0	D3	0.88	0.06	
19.0	455211	6-3V19.00-E	62.0	D3	0.88	0.32	
25.0	455212	6-3V25.00-E	56.0	D3	1.00	0.20	
33.5	455213	6-3V33.50-E	83.0	D3	1.00	0.20	

8-Groove							F = 3.53
O.D. Δ	Part No.	Description Maska Part #–Bushing Size	Wt.	Type ‡	M	K	
4.75	455214	8-3V4.75-SK	8.4	E1	0.00	0.89	
5.0	455215	8-3V5.00-SK	8.6	E1	0.00	0.89	
5.3	455216	8-3V5.30-SK	10.0	A1	1.31	0.42	
5.6	455217	8-3V5.60-SK	11.0	A1	1.31	0.42	
6.0	455218	8-3V6.00-SK	13.0	A1	1.31	0.42	
6.5	455219	8-3V6.50-SK	15.0	A1	1.31	0.42	
6.9	455220	8-3V6.90-SK	15.0	A1	1.53	0.64	
8.0	455221	8-3V8.00-SF	20.0	A1	1.31	0.37	
10.6	455222	8-3V10.60-SF	29.0	A2	1.12	0.18	
14.0	455223	8-3V14.00-E	51.0	A3	1.25	0.05	
19.0	455224	8-3V19.00-E	70.0	D3	1.12	0.08	
25.0	455225	8-3V25.00-E	67.0	A3	1.25	0.05	
33.5	455226	8-3V33.50-F	98.0	D3	1.06	0.36	

10-Groove							F = 4.34
O.D. Δ	Part No.	Description Maska Part #–Bushing Size	Wt.	Type ‡	M	K	
4.75	455227	10-3V4.75-SK	9.7	E1	0.00	0.89	
5.0	455228	10-3V5.00-SK	11.0	E1	0.00	0.89	
5.3	455229	10-3V5.30-SK	12.0	A1	1.44	0.55	
5.6	455230	10-3V5.60-SK	13.0	A1	1.44	0.55	
6.0	455231	10-3V6.00-SK	15.0	A1	1.44	0.55	
6.5	455232	10-3V6.50-SK	16.0	A1	1.44	0.55	
6.9	455233	10-3V6.90-SK	18.0	A1	1.44	0.55	
8.0	455234	10-3V8.00-SF	22.0	A1	1.63	0.69	
10.6	455235	10-3V10.60-E	41.0	A1	1.25	0.05	
14.0	455236	10-3V14.00-E	55.0	A2	1.25	0.05	
19.0	455237	10-3V19.00-E	80.0	A3	1.25	0.05	
25.0	455238	10-3V25.00-F	83.0	D3	1.31	0.11	
33.5	455239	10-3V33.50-F	124.0	D3	1.31	0.11	

Δ Pitch Diameter = O.D. - .05

‡ Type 1 = Block Type, 2 = Web, 3 = Arm – See page 64.

## 5V QD Sheaves

BUSHINGS & HUBS

SHEAVES

SYNCHRONOUS DRIVES

COUPLINGS

PART NUMBER INDEX

2-Groove		F = 1.69				
O.D. Δ	Part No.	Description Maska Part # - Bushing Size	Wt.	Type ‡	M	K
++4.4	455240	2-5V4.40-SH	4.0	D1	0.19	0.49
++4.65	455241	2-5V4.65-SDS	4.4	E1	0.19	0.70
++4.9	455242	2-5V4.90-SDS	5.1	E1	0.19	0.51
++5.2	455243	2-5V5.20-SDS	5.7	D1	0.69	0.01
++5.5	455244	2-5V5.50-SDS	5.9	D1	0.69	0.01
++5.9	455245	2-5V5.90-SDS	6.8	D1	0.69	0.01
++6.3	455246	2-5V6.30-SK	10.0	C1	0.44	0.45
++6.7	455247	2-5V6.70-SK	13.0	C1	0.44	0.45
7.1	455248	2-5V7.10-SK	10.0	C1	0.44	0.45
7.5	455249	2-5V7.50-SK	12.0	C1	0.44	0.45
8.0	455250	2-5V8.00-SK	10.0	C1	0.44	0.45
8.5	455251	2-5V8.50-SK	11.0	C2	0.44	0.45
9.0	455252	2-5V9.00-SK	12.0	C2	0.44	0.45
9.25	455253	2-5V9.25-SK	13.0	C1	0.44	0.45
9.75	455254	2-5V9.75-SK	13.0	C1	0.44	0.45
10.3	455255	2-5V10.30-SK	15.0	C2	0.44	0.45
10.9	455256	2-5V10.90-SK	16.0	C2	0.44	0.45
11.3	455257	2-5V11.30-SK	19.0	C2	0.44	0.45
11.8	455258	2-5V11.80-SK	18.0	C2	0.44	0.45
12.5	455259	2-5V12.50-SF	20.0	C2	0.44	0.50
13.2	455260	2-5V13.20-SF	21.0	D3	0.31	0.63
14.0	455261	2-5V14.00-SF	23.0	D3	0.31	0.63
15.0	455262	2-5V15.00-SF	26.0	D3	0.31	0.63
16.0	455263	2-5V16.00-SF	29.0	D3	0.31	0.63
18.7	455264	2-5V18.70-SF	39.0	D3	0.31	0.63
21.2	455265	2-5V21.20-SF	39.0	C3	0.44	0.50
23.6	455266	2-5V23.60-E	48.0	D3	0.25	0.95
28.0	455267	2-5V28.00-E	60.0	D3	0.25	0.95
31.5	-	-	-	-	-	-
37.5	-	-	-	-	-	-
50.0	-	-	-	-	-	-

4-Groove		F = 3.06				
O.D. Δ	Part No.	Description Maska Part # - Bushing Size	Wt.	Type ‡	M	K
++4.4	455300	4-5V4.40-SD	6.8	E1	0.00	0.70
++4.65	455301	4-5V4.65-SD	7.7	E1	0.00	0.70
++4.9	455302	4-5V4.90-SD	8.0	A1	1.31	0.61
++5.2	455303	4-5V5.20-SD	8.7	A1	1.31	0.61
++5.5	455304	4-5V5.50-SD	9.7	A1	1.31	0.61
++5.9	455305	4-5V5.90-SD	11.0	A1	1.31	0.61
++6.3	455306	4-5V6.30-SK	13.0	A1	1.31	0.42
++6.7	455307	4-5V6.70-SK	14.0	A1	1.31	0.42
7.1	455308	4-5V7.10-SF	17.0	A1	1.31	0.37
7.5	455309	4-5V7.50-SF	20.0	A1	1.06	0.12
8.0	455310	4-5V8.00-E	28.0	B1	1.44	0.24
8.5	455311	4-5V8.50-E	30.0	B1	1.44	0.24
9.0	455312	4-5V9.00-E	33.0	B1	1.44	0.24
9.25	455313	4-5V9.25-E	36.0	B1	1.44	0.24
9.75	455314	4-5V9.75-E	36.0	B1	1.44	0.24
10.3	455315	4-5V10.30-E	37.0	B1	1.44	0.24
10.9	455316	4-5V10.90-E	40.0	B1	1.44	0.24
11.3	455317	4-5V11.30-E	39.0	B1	1.44	0.24
11.8	455318	4-5V11.80-E	42.0	B2	1.44	0.24
12.5	455319	4-5V12.50-E	43.0	B2	1.44	0.24
13.2	455320	4-5V13.20-E	44.0	A3	1.06	0.14
14.0	455321	4-5V14.00-E	47.0	A3	1.31	0.11
15.0	455322	4-5V15.00-E	50.0	A3	1.31	0.11
16.0	455323	4-5V16.00-E	51.0	A3	1.31	0.11
18.7	455324	4-5V18.70-E	63.0	A3	1.31	0.11
21.2	455325	4-5V21.20-E	62.0	D3	0.88	0.32
23.6	455326	4-5V23.60-F	75.0	D3	0.88	0.54
28.0	455327	4-5V28.00-F	94.0	D3	0.88	0.54
31.5	455328	4-5V31.50-F	111.0	D3	0.88	0.54
37.5	455329	4-5V37.50-F	144.0	D3	0.88	0.54
50.0	455330	4-5V50.00-J	267.0	D3	0.69	0.91

3-Groove		F = 2.38				
O.D. Δ	Part No.	Description Maska Part # - Bushing Size	Wt.	Type ‡	M	K
++4.4	455268	3-5V4.40-SDS	5.7	E1	0.00	0.70
++4.65	455269	3-5V4.65-SDS	6.2	E1	0.00	0.70
++4.9	455270	3-5V4.90-SDS	6.3	A1	1.06	0.36
++5.2	455271	3-5V5.20-SDS	6.8	A1	1.06	0.36
++5.5	455272	3-5V5.50-SDS	7.7	A1	1.06	0.36
++5.9	455273	3-5V5.90-SDS	8.3	A1	1.06	0.36
++6.3	455274	3-5V6.30-SK	12.0	B1	1.13	0.24
++6.7	455275	3-5V6.70-SK	13.0	B1	1.13	0.24
7.1	455276	3-5V7.10-SF	15.0	A1	1.00	0.06
7.5	455277	3-5V7.50-SF	17.0	A1	1.00	0.06
8.0	455278	3-5V8.00-SF	19.0	A1	1.00	0.06
8.5	455279	3-5V8.50-SF	21.0	D1	0.81	0.13
9.0	455280	3-5V9.00-SF	22.0	D1	0.81	0.13
9.25	455281	3-5V9.25-SF	23.0	A1	1.00	0.06
9.75	455282	3-5V9.75-SF	23.0	A2	1.13	0.19
10.3	455283	3-5V10.30-SF	25.0	A2	1.00	0.06
10.9	455285	3-5V10.90-SF	27.0	D2	0.81	0.13
11.3	455286	3-5V11.30-SF	25.0	D2	0.81	0.13
11.8	455287	3-5V11.80-SF	28.0	A2	1.00	0.06
12.5	455288	3-5V12.50-E	36.0	D2	0.56	0.64
13.2	455289	3-5V13.20-E	38.0	C2	0.75	0.45
14.0	455290	3-5V14.00-E	46.0	D3	0.56	0.64
15.0	455291	3-5V15.00-E	48.0	D3	0.63	0.57
16.0	455292	3-5V16.00-E	50.0	D3	0.63	0.57
18.7	455293	3-5V18.70-E	54.0	D3	0.50	0.70
21.2	455294	3-5V21.20-E	62.0	C3	0.75	0.45
23.6	455295	3-5V23.60-E	79.0	C3	0.75	0.45
28.0	455296	3-5V28.00-E	85.0	C3	0.75	0.45
31.5	455297	3-5V31.50-F	124.0	D3	0.56	0.86
37.5	455298	3-5V37.50-F	143.0	D3	0.56	0.86
50.0	455299	3-5V50.00-F	218.0	D3	0.31	1.11

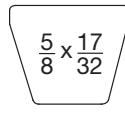
5-Groove		F = 3.75				
O.D. Δ	Part No.	Description Maska Part # - Bushing Size	Wt.	Type ‡	M	K
++4.4	455331	5-5V4.40-SD	8.0	E1	0.00	0.70
++4.65	455332	5-5V4.65-SD	8.5	E1	0.00	0.70
++4.9	455333	5-5V4.90-SD	10.0	E1	0.00	0.70
++5.2	455334	5-5V5.20-SD	11.0	A1	1.31	0.61
++5.5	455335	5-5V5.50-SD	11.0	A1	1.31	0.61
++5.9	455336	5-5V5.90-SK	13.0	A1	1.31	0.42
++6.3	455337	5-5V6.30-SK	15.0	A1	1.31	0.42
++6.7	455338	5-5V6.70-SF	16.0	A1	1.19	0.25
7.1	455339	5-5V7.10-SF	19.0	A1	1.19	0.25
7.5	455340	5-5V7.50-SF	21.0	A1	1.19	0.25
8.0	455341	5-5V8.00-E	30.0	A1	1.38	0.18
8.5	455342	5-5V8.50-E	33.0	A1	1.38	0.18
9.0	455343	5-5V9.00-E	36.0	A1	1.38	0.18
9.25	455344	5-5V9.25-E	38.0	A1	1.38	0.18
9.75	455345	5-5V9.75-E	38.0	A1	1.38	0.18
10.3	455346	5-5V10.30-E	41.0	A1	1.38	0.18
10.9	455347	5-5V10.90-E	45.0	A1	1.38	0.18
11.3	455348	5-5V11.30-E	42.0	A1	1.38	0.18
11.8	455349	5-5V11.80-E	45.0	A2	1.38	0.18
12.5	455350	5-5V12.50-E	55.0	A2	1.38	0.18
13.2	455351	5-5V13.20-E	58.0	A2	1.38	0.18
14.0	455352	5-5V14.00-E	60.0	A2	1.38	0.18
15.0	455353	5-5V15.00-E	61.0	A3	1.31	0.11
16.0	455354	5-5V16.00-E	67.0	A3	1.25	0.05
18.7	455355	5-5V18.70-F	92.0	C3	1.31	0.11
21.2	455356	5-5V21.20-F	77.0	C3	1.31	0.11
23.6	455357	5-5V23.60-F	88.0	C3	1.31	0.11
28.0	455358	5-5V28.00-F	111.0	D3	1.08	0.34
31.5	455359	5-5V31.50-J	150.0	D3	1.00	0.60
37.5	455360	5-5V37.50-J	186.0	D3	0.81	0.79
50.0	455361	5-5V50.00-J	273.0	D3	1.00	0.60

Δ Pitch diameter = O.D. - .10 . . . >∞∞

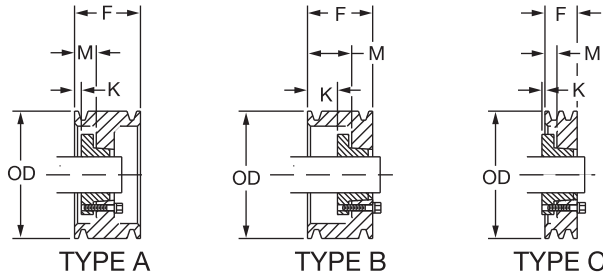
‡ Type 1 = Block Type, 2 = Web, 3 = Arm - See page 64.

++ 5VX Belts only on these sizes.

## 5V QD Sheaves



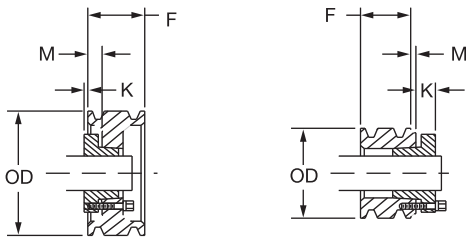
5V



TYPE A

TYPE B

TYPE C



TYPE D

TYPE E

### 8-Groove F = 5.81

O.D. Δ	Part No.	Description Maska Part # - Bushing Size	Wt.	Type ‡	M	K
7.1	455393	8-5V7.10-SF	24.0	A1	2.13	1.19
7.5	455394	8-5V7.50-SF	28.0	A1	2.13	1.19
8.0	455395	8-5V8.00-E	36.0	A1	2.50	1.30
8.5	455396	8-5V8.50-E	39.0	A1	2.50	1.30
9.0	455397	8-5V9.00-E	43.0	A1	2.50	1.30
9.25	455398	8-5V9.25-F	55.0	A1	2.31	0.89
9.75	455399	8-5V9.75-F	56.0	A1	2.31	0.89
10.3	455400	8-5V10.30-F	60.0	A1	2.31	0.89
10.9	455401	8-5V10.90-F	65.0	A1	2.31	0.89
11.3	455402	8-5V11.30-F	70.0	A1	2.31	0.89
11.8	455403	8-5V11.80-F	67.0	A1	2.31	0.89
12.5	455404	8-5V12.50-F	76.0	A1	2.56	1.14
13.2	455405	8-5V13.20-F	77.0	A1	2.56	1.14
14.0	455406	8-5V14.00-F	77.0	A1	2.44	1.02
15.0	455407	8-5V15.00-F	85.0	A2	2.44	1.02
16.0	455408	8-5V16.00-F	90.0	A3	2.38	0.96
18.7	455409	8-5V18.70-J	138.0	A3	2.91	1.31
21.2	455410	8-5V21.20-J	126.0	D3	1.56	0.04
23.6	455411	8-5V23.60-J	141.0	D3	1.56	0.04
28.0	455412	8-5V28.00-J	172.0	D3	1.56	0.04
31.5	455413	8-5V31.50-M	246.0	A3	1.94	0.20
37.5	455414	8-5V37.50-M	296.0	A3	1.94	0.20
50.0	455415	8-5V50.00-M	419.0	A3	1.94	0.20

Δ Pitch diameter = O.D. - .10

‡ Type 1 = Block Type, 2 = Web, 3 = Arm - See drawings page 64.

++ 5VX Belts only on these sizes.

### 6-Groove F = 4.44

O.D. Δ	Part No.	Description Maska Part # - Bushing Size	Wt.	Type ‡	M	K
4.4++	455362	6-5V4.40-SD	9.0	E1	0.00	0.70
4.65++	455363	6-5V4.65-SD	10.0	E1	0.00	0.70
4.90++	455364	6-5V4.90-SD	11.0	E1	0.00	0.70
5.20++	455365	6-5V5.20-SD	12.0	A1	1.31	0.61
5.50++	455366	6-5V5.50-SD	13.0	A1	1.31	0.61
5.90++	455367	6-5V5.90-SK	14.0	A1	1.31	0.42
6.30++	455368	6-5V6.30-SK	16.0	A1	1.31	0.42
6.70++	455369	6-5V6.70-SF	19.0	A1	1.69	0.75
7.1	455370	6-5V7.10-SF	21.0	A1	1.63	0.68
7.5	455371	6-5V7.50-SF	24.0	A1	1.63	0.68
8.0	455372	6-5V8.00-E	32.0	A1	2.00	0.80
8.5	455373	6-5V8.50-E	34.0	A1	2.00	0.80
9.0	455374	6-5V9.00-E	38.0	A1	2.00	0.80
9.25	455375	6-5V9.25-E	40.0	A1	2.00	0.80
9.75	455376	6-5V9.75-E	41.0	A1	2.00	0.80
10.3	455377	6-5V10.30-E	44.0	A1	2.00	0.80
10.9	455378	6-5V10.90-E	49.0	A1	2.00	0.80
11.3	455379	6-5V11.30-E	47.0	A1	2.00	0.80
11.8	455380	6-5V11.80-E	49.0	A2	2.00	0.80
12.5	455381	6-5V12.50-F	63.0	B2	2.06	0.64
13.2	455382	6-5V13.20-F	64.0	B2	2.06	0.64
14.0	455383	6-5V14.00-F	73.0	B2	2.06	0.64
15.0	455384	6-5V15.00-F	75.0	D2	1.31	0.11
16.0	455385	6-5V16.00-F	91.0	B3	1.88	0.46
18.7	455386	6-5V18.70-F	99.0	A3	1.44	0.02
21.2	455387	6-5V21.20-F	86.0	D3	1.31	0.11
23.6	455388	6-5V23.60-J	121.0	B3	1.31	0.11
28.0	455389	6-5V28.00-J	145.0	B3	1.31	0.11
31.5	455390	6-5V31.50-J	167.0	B3	1.31	0.11
37.5	455391	6-5V37.50-J	208.0	B3	1.31	0.11
50.0	455392	6-5V50.00-M	353.0	B3	0.00	1.74

### 10-Groove F = 7.19

O.D. Δ	Part No.	Description Maska Part # - Bushing Size	Wt.	Type ‡	M	K
8.0	456062	10-5V8.00-E	42.0	A1	3.25	2.05
8.5	456063	10-5V8.50-E	44.0	A1	3.25	2.05
9.0	456064	10-5V9.00-F	57.0	A1	3.31	1.89
9.25	456065	10-5V9.25-F	60.0	A1	3.31	1.89
9.75	456066	10-5V9.75-F	61.0	A1	3.31	1.89
10.3	456067	10-5V10.30-F	66.0	A1	3.31	1.89
10.9	456068	10-5V10.90-F	72.0	A1	3.31	1.89
11.3	456069	10-5V11.30-F	78.0	A1	3.31	1.89
11.8	456070	10-5V11.80-F	80.0	A1	3.31	1.89
12.5	456071	10-5V12.50-J	111.0	A1	3.56	1.96
13.2	456072	10-5V13.2-J	115.0	A1	3.56	1.96
14.0	456073	10-5V14.00-J	118.0	A1	3.44	1.84
15.0	456074	10-5V15.00-J	120.0	A1	3.31	1.71
16.0	456075	10-5V16.00-J	160.0	A1	3.56	1.96
18.7	456076	10-5V18.70-J	151.0	D2	1.56	0.04
21.2	456077	10-5V21.20-J	143.0	D2	1.56	0.04
23.6	456078	10-5V23.60-M	209.0	B3	1.94	0.20
28.0	456079	10-5V28.00-M	245.0	B3	1.94	0.20
31.5	456080	10-5V31.50-M	277.0	B3	1.94	0.20
37.5	456081	10-5V37.50-M	337.0	B3	1.94	0.20
50.0	456082	10-5V50.00-M	484.0	B3	1.94	0.20

BUSHINGS & HUBS

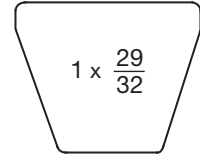
SHEAVES

SYNCHRONOUS DRIVES

COUPLINGS

PART NUMBER INDEX

## 8V QD Sheaves



BUSHINGS & HUBS

SHEAVES

SYNCHRONOUS DRIVES

COUPLINGS

PART NUMBER INDEX

4-Groove							F = 4.88
O.D. Δ	Part No.	Description Maska Part #–Bushing Size	Wt.	Type ‡	M	K	
12.5	455416	4-8V12.50-F	83.0	D1	1.19	0.23	
13.2	455417	4-8V13.20-F	88.0	D2	1.19	0.23	
14.0	455418	4-8V14.00-F	88.0	D2	1.19	0.23	
15.0	455419	4-8V15.00-F	111.0	D2	1.19	0.23	
16.0	455420	4-8V16.00-F	105.0	D2	1.19	0.23	
17.0	455521	4-8V17.00-F	150.0	D3	1.19	0.23	
18.0	455422	4-8V18.00-F	150.0	D3	1.19	0.23	
19.0	455423	4-8V19.00-F	146.0	D3	1.19	0.23	
20.0	455424	4-8V20.00-J	145.0	D3	1.44	0.16	
21.2	455425	4-8V21.20-J	181.0	D3	1.44	0.16	
22.4	455426	4-8V22.40-J	199.0	D3	1.44	0.16	
24.8	456654	4-8V24.80-M	211.0	C3	1.44	0.93	
30.0	455427	4-8V30.00-M	292.0	C3	0.81	0.93	
35.5	456655	4-8V35.50-M	367.0	C3	0.81	0.93	
40.0	455428	4-8V40.00-M	434.0	C3	0.81	0.93	
44.5	456656	4-8V44.50-M	371.0	C3	0.81	0.93	
53.0	455429	4-8V53.00-M	818.0	C3	0.81	0.93	

5-Groove							F = 6.00
O.D. Δ	Part No.	Description Maska Part #–Bushing Size	Wt.	Type ‡	M	K	
12.5	455430	5-8V12.50-F	69.0	A2	2.31	0.89	
13.2	455431	5-8V13.20-F	75.0	A2	2.31	0.89	
14.0	455432	5-8V14.00-F	83.0	A2	2.31	0.89	
15.0	455433	5-8V15.00-F	94.0	A2	2.31	0.89	
16.0	455434	5-8V16.00-F	106.0	A2	2.31	0.89	
17.0	455435	5-8V17.00-J	133.0	A2	2.00	0.40	
18.0	455436	5-8V18.00-J	147.0	A3	2.00	0.40	
19.0	455437	5-8V19.00-J	161.0	A3	2.00	0.40	
20.0	455438	5-8V20.00-J	141.0	A3	2.00	0.40	
21.2	455439	5-8V21.20-J	151.0	A3	2.00	0.40	
22.4	456402	5-8V22.4-M	208.0	D3	1.94	0.20	
24.8	456657	5-8V24.80-M	229.0	D3	1.94	0.20	
30.0	455441	5-8V30.00-M	276.0	D3	1.94	0.20	
35.5	456658	5-8V35.50-M	334.0	D3	1.94	0.20	
40.0	455442	5-8V40.00-M	385.0	D3	1.94	0.20	
44.5	456659	5-8V44.50-N	459.0	C3	0.94	1.11	
53.0	455443	5-8V53.00-N	574.0	C3	0.94	1.11	

6-Groove							F = 7.13
O.D. Δ	Part No.	Description Maska Part #–Bushing Size	Wt.	Type ‡	M	K	
12.5	455444	6-8V12.50-F	78.0	A1	2.31	0.89	
13.2	455445	6-8V13.20-F	85.0	A2	2.31	0.89	
14.0	455446	6-8V14.00-F	94.0	A2	2.31	0.89	
15.0	455447	6-8V15.00-J	122.0	A2	2.56	0.96	
16.0	455448	6-8V16.00-J	134.0	A2	2.56	0.96	
17.0	455449	6-8V17.00-J	147.0	A2	2.56	0.96	
18.0	455450	6-8V18.00-J	161.0	A2	2.56	0.96	
19.0	455451	6-8V19.00-J	177.0	A3	2.56	0.96	
20.0	455452	6-8V20.00-M	232.0	B3	2.94	1.20	
21.2	455453	6-8V21.20-M	216.0	B3	2.94	1.20	
22.4	455454	6-8V22.40-M	227.0	B3	2.94	1.20	
24.8	456660	6-8V24.80-M	251.0	B3	1.94	0.20	
30.0	455455	6-8V30.00-M	306.0	B3	2.06	0.32	
35.5	456661	6-8V35.50-N	391.0	C3	1.13	0.92	
40.0	455456	6-8V40.00-N	450.0	C3	1.13	0.92	
44.5	456662	6-8V44.50-N	511.0	C3	1.13	0.92	
53.0	455457	6-8V53.00-N	646.0	C3	1.13	0.92	
63.0	456663	6-8V63.00-P	856.0	C3	2.00	0.30	
71.0	456690	6-8V71.00-P	1016.0	C3	2.00	0.30	

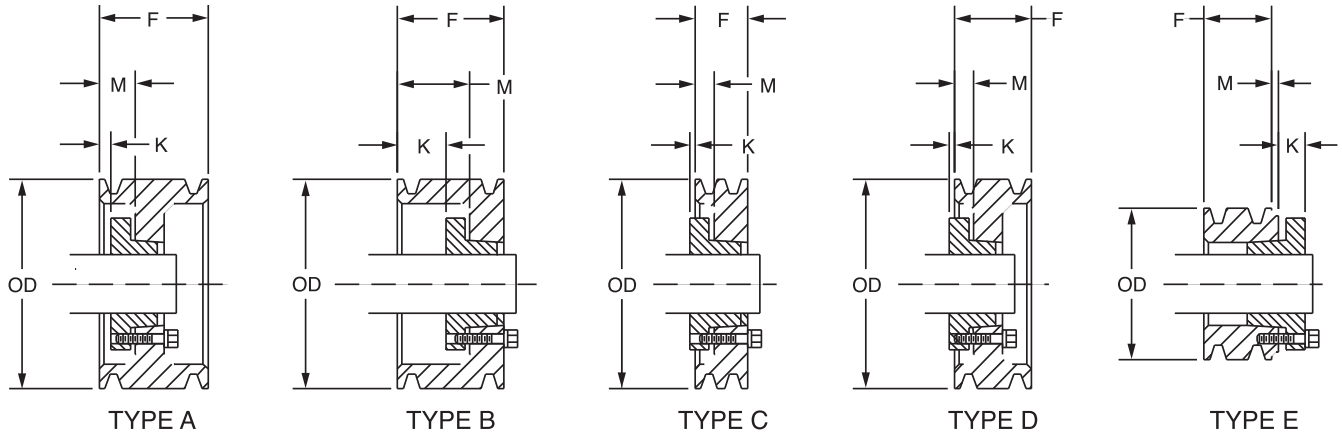
8-Groove							F = 9.38
O.D. Δ	Part No.	Description Maska Part #–Bushing Size	Wt.	Type ‡	M	K	
12.5	455458	8-8V12.50-J	115.0	A1	3.56	1.96	
13.2	455459	8-8V13.20-J	129.0	A2	3.56	1.96	
14.0	455460	8-8V14.00-J	146.0	A2	3.56	1.96	
15.0	455461	8-8V15.00-J	144.0	A2	3.56	1.96	
16.0	455462	8-8V16.00-J	158.0	A2	3.56	1.96	
17.0	455463	8-8V17.00-M	214.0	A1	3.94	2.20	
18.0	455464	8-8V18.00-M	230.0	A2	4.19	2.45	
19.0	455465	8-8V19.00-M	247.0	A2	3.94	2.20	
20.0	455466	8-8V20.00-M	266.0	A2	3.94	2.20	
21.2	455467	8-8V21.20-M	245.0	A3	3.94	2.20	
22.4	455468	8-8V22.40-M	264.0	A3	2.25	0.51	
24.8	456664	8-8V24.80-N	315.0	A3	2.25	0.20	
30.0	455469	8-8V30.00-N	384.0	A3	2.25	0.20	
35.5	456665	8-8V35.50-N	468.0	A3	2.25	0.20	
40.0	455470	8-8V40.00-N	543.0	B3	2.63	0.58	
44.5	456666	8-8V44.50-P	670.0	B3	2.63	0.33	
53.0	455471	8-8V53.00-P	833.0	B3	2.63	0.33	
63.0	456667	8-8V63.00-P	1049.0	B3	2.63	0.33	
71.0	456691	8-8V71.00-W	1266.0	C3	0.19	2.37	

Δ Pitch diameter = O.D. – .20

‡ Type 1 = Block Type, 2 = Web, 3 = Arm – See page 64.



## 8V QD Sheaves



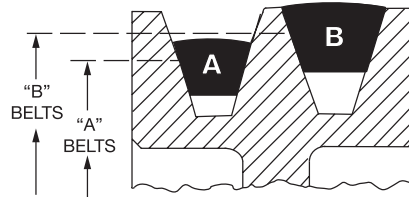
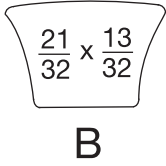
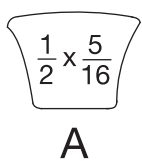
10-Groove							F = 11.63
O.D. Δ	Part No.	Description Maska Part #–Bushing Size	Wt.	Type ‡	M	K	
12.5	455472	10-8V12.50-J	133	A1	3.56	1.96	
13.2	455473	10-8V13.20-J	148	A1	3.56	1.96	
14.0	455474	10-8V14.00-J	166	A2	3.56	1.96	
15.0	455475	10-8V15.00-M	224	A2	3.94	2.20	
16.0	455476	10-8V16.00-M	260	A2	3.94	2.20	
17.0	455477	10-8V17.00-M	241	A1	3.94	2.20	
18.0	455478	10-8V18.00-M	259	A2	3.94	2.20	
19.0	455479	10-8V19.00-M	279	A2	3.94	2.20	
20.0	455480	10-8V20.00-M	300	A2	3.94	2.20	
21.2	455481	10-8V21.20-M	286	A3	3.94	2.20	
22.4	455482	10-8V22.40-N	321	A3	2.25	0.20	
24.8	456668	10-8V24.80-N	357	A3	2.25	0.20	
30.0	455483	10-8V30.00-N	444	A3	2.25	0.20	
35.5	456669	10-8V35.50-P	591	A3	2.63	0.32	
40.0	455484	10-8V40.00-P	680	A3	2.63	0.32	
44.5	456670	10-8V44.50-P	775	A3	2.63	0.32	
53.0	455485	10-8V53.00-P	971	A3	2.63	0.32	
63.0	456671	10-8V63.00-W	1256	D3	1.31	1.25	
71.0	456692	10-8V71.00-W	1482	D3	1.31	1.25	

12-Groove							F = 13.88
O.D. Δ	Part No.	Description Maska Part #–Bushing Size	Wt.	Type ‡	M	K	
12.5	456672	12-8V12.50-M	164	A1	3.94	2.20	
13.2	456673	12-8V13.20-M	186	A1	3.94	2.20	
14.0	456674	12-8V14.00-M	213	A1	3.94	2.20	
15.0	456675	12-8V15.00-M	248	A2	3.94	2.20	
16.0	456676	12-8V16.00-M	285	A1	3.94	2.20	
17.0	456677	12-8V17.00-M	270	A1	3.94	2.20	
18.0	456678	12-8V18.00-M	292	A2	3.94	2.20	
19.0	456679	12-8V19.00-N	330	A2	2.25	0.20	
20.0	456680	12-8V20.00-N	354	A2	2.25	0.20	
21.2	456681	12-8V21.20-N	365	A3	2.25	0.20	
22.4	456682	12-8V22.40-N	367	A3	2.25	0.20	
24.8	456683	12-8V24.80-N	408	A3	2.25	0.20	
30.0	456684	12-8V30.00-P	557	A3	2.63	0.32	
35.5	456685	12-8V35.50-P	671	A3	2.63	0.32	
40.0	456686	12-8V40.00-P	776	A3	2.63	0.32	
44.5	456687	12-8V44.50-P	887	A3	2.63	0.32	
53.0	456688	12-8V53.00-W	1150	A3	2.88	0.32	
63.0	456689	12-8V63.00-W	1445	D3	2.44	0.12	
71.0	456693	12-8V71.00-W	1706	D3	2.44	0.12	

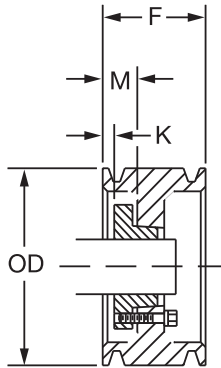
Δ Pitch diameter = O.D. – .20

‡ Type 1 = Block Type, 2 = Web, 3 = Arm – See page 64.

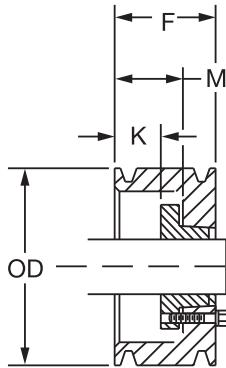
## A/B QD Sheaves



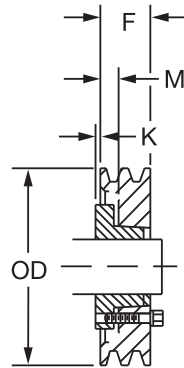
Drawing illustrates how either A or B belts may be used with combination groove sheaves.



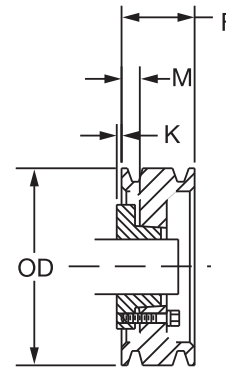
TYPE A



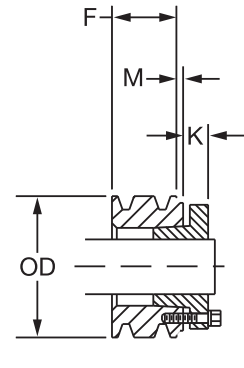
TYPE B



TYPE C



TYPE D



TYPE E

1-Groove		F = .84 A3.2 through A4.0 B4.4				Balance F = 1	
O.D. Δ	Part No.	Description Maska Part #–Bushing Size	Wt.	Type ‡	M	K	
3.75	118283	1B34-SH	2.0	E1	0.44	0.68	
3.95	118284	1B36-SH	2.2	D1	0.05	0.63	
4.15	118285	1B38-SH	2.4	D1	0.05	0.63	
4.35	118286	1B40-SH	2.7	D1	0.05	0.63	
4.55	455550	1B42-SH	2.9	D1	0.05	0.63	
4.75	455551	1B44-SH	3.4	D1	0.05	0.63	
4.95	455552	1B46-SDS	4.0	D1	0.14	0.55	
5.15	455553	1B48-SDS	4.0	D1	0.14	0.55	
5.35	455554	1B50-SDS	4.0	D1	0.14	0.55	
5.55	455555	1B52-SDS	5.0	D1	0.14	0.55	
5.75	455556	1B54-SDS	5.0	D1	0.14	0.55	
5.95	455557	1B56-SDS	6.0	C1	0.25	0.45	
6.15	455558	1B58-SDS	6.0	C1	0.25	0.45	
6.35	455559	1B60-SDS	6.0	C1	0.25	0.45	
6.55	455560	1B62-SDS	6.0	C1	0.25	0.45	
6.75	455561	1B64-SDS	6.0	C1	0.25	0.45	
6.95	455562	1B66-SDS	7.0	C1	0.25	0.45	
7.15	455563	1B68-SDS	7.0	C1	0.25	0.45	
7.35	455564	1B70-SDS	7.5	D1	0.13	0.57	
7.75	455565	1B74-SDS	8.0	C1	0.25	0.45	
8.35	455566	1B80-SDS	8.0	D1	0.13	0.57	
8.95	455567	1B86-SDS	8.0	D2	0.13	0.57	
9.75	455568	1B94-SDS	8.0	D2	0.13	0.57	
11.35	455569	1B110-SDS	10.0	D2	0.13	0.57	
12.75	455570	1B124-SDS	11.0	D3	0.13	0.57	
13.95	455571	1B136-SDS	13.0	D3	0.06	0.63	
15.75	455572	1B154-SK	16.0	C3	0.06	0.83	
16.35	455573	1B160-SK	17.0	C3	0.00	0.89	
18.75	455574	1B184-SK	18.0	C3	0.00	0.89	
20.35	455575	1B200-SK	18.0	C3	0.00	0.89	

2-Groove		F = 1.75				
O.D. Δ	Part No.	Description Maska Part #–Bushing Size	Wt.	Type ‡	M	K
3.75	455576	2B34-SH	3.2	E1	0.38	0.68
3.95	455577	2B36-SH	3.4	E1	0.00	0.68
4.15	455578	2B38-SH	3.9	E1	0.00	0.68
4.35	455579	2B40-SH	3.8	A1	0.94	0.26
4.55	455580	2B42-SH	4.4	A1	0.94	0.26
4.75	455581	2B44-SH	4.6	A1	0.94	0.26
4.95	455582	2B46-SDS	5.0	A1	1.00	0.30
5.15	455583	2B48-SDS	4.1	A1	1.00	0.30
5.35	455584	2B50-SDS	6.0	A1	1.00	0.30
5.55	455585	2B52-SDS	7.0	A1	1.00	0.30
5.75	455586	2B54-SDS	7.0	A1	1.00	0.30
5.95	455587	2B56-SDS	7.0	A1	0.81	0.12
6.15	455588	2B58-SDS	7.0	D1	0.69	0.01
6.35	455589	2B60-SDS	7.0	D1	0.69	0.01
6.55	455590	2B62-SDS	6.3	D1	0.69	0.01
6.75	455591	2B64-SDS	8.0	D1	0.69	0.01
6.95	455592	2B66-SDS	8.2	D1	0.69	0.01
7.15	455593	2B68-SDS	9.0	D1	0.69	0.01
7.35	455594	2B70-SK	10.0	C1	0.50	0.39
7.75	455595	2B74-SK	11.0	C1	0.50	0.39
8.35	455596	2B80-SK	11.0	D2	0.44	0.46
8.95	455597	2B86-SK	12.0	D2	0.44	0.46
9.75	455598	2B94-SK	12.0	D2	0.44	0.46
11.35	455599	2B110-SK	14.0	D2	0.44	0.46
12.75	455600	2B124-SK	18.0	D3	0.44	0.46
13.95	455601	2B136-SK	19.0	D3	0.38	0.52
15.75	455602	2B154-SK	24.0	D3	0.44	0.46
16.35	455603	2B160-SK	22.0	D3	0.44	0.46
18.75	455604	2B184-SK	29.0	D3	0.31	0.58
20.35	455605	2B200-SF	30.0	D3	0.38	0.57
25.35	455606	2B250-SF	40.0	D3	0.38	0.57
30.35	455607	2B300-SF	50.0	D3	0.38	0.57
38.35	455608	2B380-SF	70.0	D3	0.34	0.60

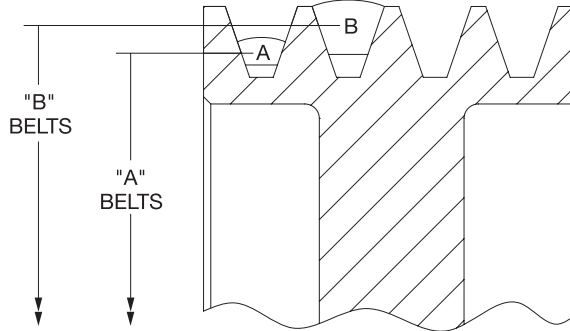
Δ P.D. for "A" Belts = O.D. - .37

P.D. for "B" Belts = O.D. + .01

P.D. for "B" Belts = O.D. + .01

‡ Type 1 = Block Type, 2 = Web, 3 = Arm – See page 64.

## A/B QD Sheaves



Drawing illustrates how either A or B belts may be used with combination groove sheaves.

3-Groove							F = 2.50	
O.D. Δ	Part No.	Description Maska Part #–Bushing Size	Wt.	Type ‡	M	K		
3.75	455609	3B34-SH	4.2	E1	0.38	0.68		
3.95	455610	3B36-SH	4.7	E1	0.00	0.68		
4.15	455611	3B38-SH	5.4	E1	0.00	0.68		
4.35	455612	3B40-SH	4.8	E1	0.00	0.68		
4.55	455613	3B42-SH	5.4	E1	0.00	0.68		
4.75	455614	3B44-SH	5.6	E1	0.00	0.68		
4.95	455615	3B46-SD	8.0	A1	1.06	0.37		
5.15	455616	3B48-SD	8.5	A1	1.06	0.67		
5.35	455617	3B50-SD	9.0	A1	1.06	0.67		
5.55	455618	3B52-SD	9.0	A1	1.06	0.37		
5.75	455619	3B54-SD	10.0	A1	1.06	0.37		
5.95	455620	3B56-SD	11.0	A1	1.06	0.37		
6.15	455621	3B58-SD	9.1	A1	1.06	0.37		
6.35	455622	3B60-SD	10.0	A1	1.06	0.37		
6.55	455623	3B62-SD	11.0	A1	1.06	0.37		
6.75	455624	3B64-SD	11.0	A1	1.06	0.37		
6.95	455625	3B66-SD	12.0	A1	1.06	0.37		
7.15	455626	3B68-SD	13.0	A1	1.06	0.37		
7.35	455627	3B70-SK	13.0	D1	0.75	0.14		
7.75	455628	3B74-SK	13.0	D1	0.75	0.14		
8.35	455629	3B80-SK	14.0	D1	0.88	0.02		
8.95	455630	3B86-SK	13.0	D1	0.88	0.02		
9.75	455631	3B94-SK	16.0	D2	0.75	0.14		
11.35	455632	3B110-SK	19.0	D2	0.75	0.14		
12.75	455633	3B124-SK	24.0	D3	0.75	0.14		
13.95	455634	3B136-SK	24.0	D3	0.69	0.21		
15.75	455635	3B154-SK	30.0	D3	0.75	0.14		
16.35	455636	3B160-SK	27.0	D3	0.75	0.14		
18.75	455637	3B184-SK	38.0	D3	0.75	0.14		
20.35	455638	3B200-SF	38.0	D3	0.63	0.32		
25.35	455639	3B250-SF	51.0	D3	0.63	0.32		
30.35	455640	3B300-SF	65.0	D3	0.63	0.32		
38.35	455641	3B380-E	95.0	D3	0.63	0.57		

4-Groove							F = 3.25	
O.D. Δ	Part No.	Description Maska Part #–Bushing Size	Wt.	Type ‡	M	K		
3.75	455642	4B34-SD	5.5	E1	0.47	0.70		
3.95	455643	4B36-SD	5.8	E1	0.47	0.70		
4.15	455644	4B38-SD	6.2	E1	0.47	0.70		
4.35	455645	4B40-SD	6.6	E1	0.00	0.70		
4.55	455646	4B42-SD	6.9	E1	0.00	0.70		
4.75	455647	4B44-SD	7.5	E1	0.00	0.70		
4.95	455648	4B46-SD	7.5	A1	1.50	0.80		
5.15	455649	4B48-SD	7.3	A1	1.50	0.80		
5.35	455650	4B50-SD	10.0	A1	1.50	0.80		
5.55	455651	4B52-SD	11.0	A1	1.50	0.80		
5.75	455652	4B54-SD	11.0	A1	1.50	0.80		
5.95	455653	4B56-SD	12.0	A1	1.50	0.80		
6.15	455654	4B58-SD	11.0	A1	1.50	0.80		
6.35	455655	4B60-SD	11.0	A1	1.50	0.80		
6.55	455656	4B62-SD	14.0	A1	1.50	0.80		
6.75	455657	4B64-SD	14.0	A1	1.50	0.80		
6.95	455658	4B66-SD	14.0	A1	1.50	0.80		
7.15	455659	4B68-SD	14.0	A1	1.50	0.80		
7.35	455660	4B70-SK	14.0	A1	1.00	0.11		
7.75	455661	4B74-SK	15.0	A1	1.25	0.36		
8.35	455662	4B80-SK	15.0	A1	1.38	0.48		
8.95	455663	4B86-SK	17.0	A1	1.50	0.61		
9.75	455664	4B94-SK	19.0	A2	1.13	0.23		
11.35	455665	4B110-SK	22.0	A2	1.00	0.11		
12.75	455666	4B124-SK	29.0	A3	1.00	0.11		
13.95	455667	4B136-SK	29.0	A3	1.00	0.11		
15.75	455668	4B154-SF	39.0	A3	1.13	0.18		
16.35	455669	4B160-SF	34.0	A3	1.00	0.06		
18.75	455670	4B184-SF	47.0	A3	1.00	0.06		
20.35	455671	4B200-SF	46.0	A3	1.00	0.06		
25.35	455672	4B250-E	66.0	D3	1.00	0.20		
30.35	455673	4B300-E	83.0	D3	0.63	0.57		
38.35	455674	4B380-E	115.0	D3	1.00	0.20		

Δ P.D. for "A" Belts = O.D. - .37

P.D. for "B" Belts = O.D. + .01

‡ Type 1 = Block Type, 2 = Web, 3 = Arm – See page 64.

## A/B QD Sheaves

5-Groove							F = 4.00
O.D. Δ	Part No.	Description Maska Part #—Bushing Size	Wt.	Type ‡	M	K	
3.75	455675	5B34-SD	5.9	E1	0.47	0.70	
3.95	455676	5B36-SD	6.5	E1	0.47	0.70	
4.15	455677	5B38-SD	7.2	E1	0.47	0.70	
4.35	455678	5B40-SD	7.3	E1	0.00	0.70	
4.55	455679	5B42-SD	8.0	E1	0.00	0.70	
4.75	455680	5B44-SD	8.8	E1	0.00	0.70	
4.95	455681	5B46-SD	9.0	A1	1.31	0.62	
5.15	455682	5B48-SD	8.5	A1	1.31	0.62	
5.35	455683	5B50-SD	11.0	A1	1.31	0.62	
5.55	455684	5B52-SD	12.0	A1	1.31	0.62	
5.75	455685	5B54-SK	12.0	A1	1.31	0.42	
5.95	455686	5B56-SK	12.0	A1	1.31	0.42	
6.15	455687	5B58-SK	13.0	A1	1.31	0.42	
6.35	455688	5B60-SK	14.0	A1	1.31	0.42	
6.55	455689	5B62-SK	13.0	A1	1.31	0.42	
6.75	455690	5B64-SK	16.0	A1	1.31	0.42	
6.95	455691	5B66-SK	15.0	A1	1.31	0.42	
7.15	455692	5B68-SK	17.0	A1	1.31	0.42	
7.35	455693	5B70-SF	16.0	A1	1.31	0.37	
7.75	455694	5B74-SF	20.0	A1	1.31	0.37	
8.35	455695	5B80-SF	17.0	A1	1.31	0.37	
8.95	455696	5B86-SF	24.0	A1	1.31	0.37	
9.75	455697	5B94-SF	24.0	A1	1.31	0.37	
11.35	455698	5B110-SF	29.0	A2	1.31	0.37	
12.75	455699	5B124-SF	34.0	A3	1.06	0.12	
13.95	455700	5B136-SF	33.0	A3	1.31	0.37	
15.75	455701	5B154-SF	46.0	A3	1.31	0.37	
16.35	455702	5B160-SF	38.0	A2	1.25	0.31	
18.75	455703	5B184-SF	55.0	A3	1.31	0.37	
20.35	455704	5B200-E	58.0	A3	1.25	0.05	
25.35	455705	5B250-E	76.0	A3	1.25	0.05	
30.35	455706	5B300-E	97.0	A3	1.25	0.05	
38.35	455707	5B380-E	135.0	A3	1.25	0.05	

8-Groove							F = 6.25
O.D. Δ	Part No.	Description Maska Part #—Bushing Size	Wt.	Type ‡	M	K	
5.8	455741	8B54-SK	15.0	A1	1.88	0.98	
6.0	455742	8B56-SK	16.0	A1	1.88	0.98	
6.4	455743	8B60-SF	21.0	A1	1.81	0.87	
6.8	455744	8B64-SF	23.0	A1	1.81	0.87	
7.2	455745	8B68-SF	25.0	A1	1.25	0.31	
7.8	455746	8B74-SF	28.0	A1	1.25	1.18	
9.0	455747	8B86-E	40.0	A1	2.38	1.18	
9.8	455748	8B94-E	43.0	A1	2.38	1.18	
11.4	455749	8B110-E	49.0	A1	2.38	1.18	
12.8	455750	8B124-E	56.0	A2	2.38	1.18	
15.8	455751	8B154-E	69.0	A2	2.38	1.18	
18.8	455752	8B184-F	91.0	D3	1.31	0.11	
20.4	455753	8B200-F	84.0	D3	1.31	0.11	
25.4	455754	8B250-F	111.0	D3	1.31	0.11	
30.4	455755	8B300-F	142.0	D3	1.31	0.11	
38.4	455756	8B380-F	200.0	D3	1.31	0.11	

6-Groove							F = 4.75
O.D. Δ	Part No.	Description Maska Part #—Bushing Size	Wt.	Type ‡	M	K	
3.75	455708	6B34-SD	6.7	E1	0.38	0.70	
3.95	455709	6B36-SD	7.4	E1	0.38	0.70	
4.15	455710	6B38-SD	8.0	E1	0.38	0.70	
4.35	455711	6B40-SD	8.4	E1	0.00	0.70	
4.55	455712	6B42-SD	9.0	E1	0.00	0.70	
4.75	455713	6B44-SD	10.0	E1	0.00	0.70	
4.95	455714	6B46-SD	10.0	A1	1.31	0.62	
5.15	455715	6B48-SD	10.0	A1	1.31	0.62	
5.35	455716	6B50-SD	12.0	A1	1.31	0.62	
5.55	455717	6B52-SD	13.0	A1	1.31	0.62	
5.75	455718	6B54-SK	13.0	A1	1.31	0.42	
5.95	455719	6B56-SK	14.0	A1	1.31	0.42	
6.15	455720	6B58-SK	12.0	A1	1.31	0.42	
6.35	455721	6B60-SK	15.0	A1	1.31	0.42	
6.55	455722	6B62-SK	15.0	A1	1.31	0.42	
6.75	455723	6B64-SK	17.0	A1	1.31	0.42	
6.95	455724	6B66-SK	17.0	A1	1.31	0.42	
7.15	455725	6B68-SK	19.0	A1	1.31	0.42	
7.35	455726	6B70-SF	18.0	A1	1.69	0.75	
7.75	455727	6B74-SF	22.0	A1	1.69	0.75	
8.35	455728	6B80-SF	23.0	A1	1.69	0.75	
8.95	455729	6B86-SF	26.0	A1	1.69	0.75	
9.75	455730	6B94-SF	27.0	A1	1.69	0.75	
11.35	455731	6B110-SF	32.0	A2	1.69	0.75	
12.75	455732	6B124-SF	39.0	A3	1.50	0.56	
13.95	455733	6B136-SF	38.0	A3	1.69	0.75	
15.75	455734	6B154-SF	50.0	A2	1.81	0.87	
16.35	455735	6B160-SF	44.0	A2	1.81	0.87	
18.75	455736	6B184-SF	62.0	A3	1.75	0.81	
20.35	455737	6B200-E	65.0	A3	1.38	0.18	
25.35	455738	6B250-E	87.0	A3	1.38	0.18	
30.35	455739	6B300-E	111.0	A3	1.38	0.18	
38.35	455740	6B380-E	155.0	A3	1.38	0.18	

10-Groove							F = 7.75
O.D. Δ	Part No.	Description Maska Part #—Bushing Size	Wt.	Type ‡	M	K	
5.8	455757	10B54-SK	18.0	A1	3.25	2.36	
6.0	455758	10B56-SK	19.0	A1	3.50	2.61	
6.4	455759	10B60-SF	24.0	A1	3.25	2.31	
6.8	455760	10B64-SF	26.0	A1	3.50	2.56	
7.2	455761	10B68-SF	28.0	A1	3.00	2.06	
7.8	455762	10B74-SF	32.0	A1	2.56	1.62	
9.0	455763	10B86-E	47.0	A1	3.13	1.93	
9.8	455764	10B94-E	48.0	A1	3.13	1.93	
11.4	455765	10B110-E	56.0	A1	3.13	1.93	
12.8	455766	10B124-F	64.0	A1	3.13	1.70	
15.8	455767	10B154-F	88.0	A2	2.06	0.64	
18.8	455768	10B184-F	103.0	A3	2.06	0.64	
20.4	455769	10B200-F	99.0	A3	2.06	0.64	
25.4	455770	10B250-F	132.0	A3	2.06	0.64	
30.4	455771	10B300-F	169.0	A3	2.06	0.64	
38.4	455772	10B380-J	257.0	D3	1.44	0.16	

Δ P.D. for "A" Belts = O.D. - .37

P.D. for "B" Belts = O.D. + .01

‡ Type 1 = Block Type, 2 = Web, 3 = Arm - See page 64.

BUSHINGS & HUBS

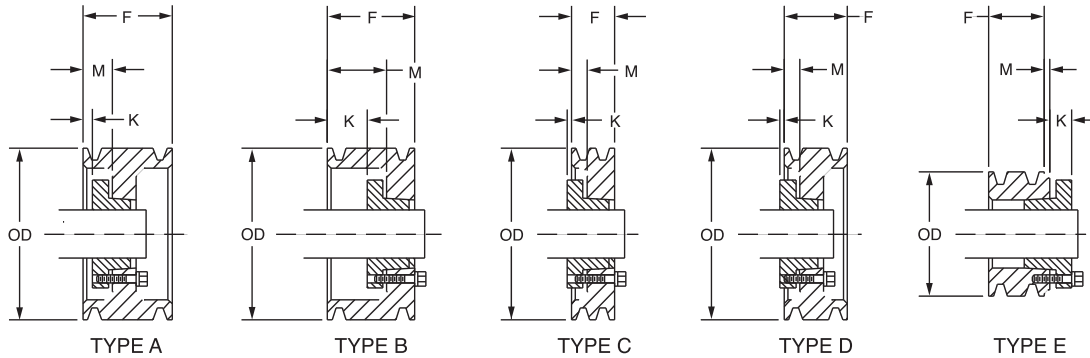
SHEAVES

SYNCHRONOUS DRIVES

COUPLINGS

PART NUMBER INDEX

## C QD Sheaves



1-Groove							F = 1.38
O.D. Δ	Part No.	Description Maska Part #—Bushing Size	Wt.	Type ‡	M	K	
7.4	455773	1C70-SF	9.0	C1	0.13	0.82	
7.9	455774	1C75-SF	11.0	C1	0.13	0.82	
8.4	455775	1C80-SF	11.0	C1	0.13	0.82	
8.9	455776	1C85-SF	12.0	C1	0.13	0.82	
9.4	455777	1C90-SF	12.0	C1	0.13	0.82	
9.9	455778	1C95-SF	13.0	C1	0.13	0.82	
10.4	455779	1C100-SF	14.0	C2	0.13	0.82	
10.9	455780	1C105-SF	14.0	C2	0.13	0.82	
11.4	455781	1C110-SF	16.0	C2	0.13	0.82	
12.4	455782	1C120-SF	17.0	C2	0.13	0.82	
13.4	455783	1C130-SF	19.0	C3	0.13	0.82	
14.4	455784	1C140-SF	21.0	C3	0.13	0.82	
16.4	455785	1C160-SF	24.0	C3	0.13	0.82	
18.4	455786	1C180-SF	27.0	C3	0.13	0.82	
20.4	455787	1C200-SF	31.0	C3	0.13	0.82	
24.4	455788	1C240-SF	38.0	C3	0.13	0.82	

2-Groove							F = 2.37
O.D. Δ	Part No.	Description Maska Part #—Bushing Size	Wt.	Type ‡	M	K	
7.4	455789	2C70-SF	18.0	D1	0.81	0.13	
7.9	455790	2C75-SF	20.0	D1	0.81	0.13	
8.4	455791	2C80-SF	19.0	D1	0.81	0.13	
8.9	455792	2C85-SF	20.0	D1	0.81	0.13	
9.4	455793	2C90-SF	21.0	D1	0.81	0.13	
9.9	455794	2C95-SF	22.0	D1	0.81	0.13	
10.4	455795	2C100-SF	23.0	D2	0.81	0.13	
10.9	455796	2C105-SF	23.0	D2	0.81	0.13	
11.4	455797	2C110-SF	25.0	D2	0.81	0.13	
12.4	455798	2C120-SF	27.0	D2	0.56	0.38	
13.4	455799	2C130-SF	29.0	D3	0.56	0.68	
14.4	455800	2C140-SF	34.0	D3	0.56	0.38	
16.4	455801	2C160-SF	39.0	D3	0.63	0.32	
18.4	455802	2C180-SF	39.0	D2	0.63	0.32	
20.4	455803	2C200-SF	43.0	D3	0.56	0.38	
24.4	455804	2C240-SF	55.0	D3	0.56	0.38	
27.4	456012	2C270-F	72.0	C3	0.56	0.86	
30.4	456805	2C300-F	82.0	C3	0.56	0.86	

3-Groove							F = 3.38
O.D. Δ	Part No.	Description Maska Part #—Bushing Size	Wt.	Type ‡	M	K	
5.4	455806	+3C50-SD	9.0	A1	1.31	0.62	
5.9	455807	+3C56-SD	10.0	A1	1.31	0.62	
6.4	455808	+3C60-SF	10.0	A1	1.31	0.37	
7.4	455809	3C70-SF	20.0	A1	1.13	0.18	
7.9	455810	3C75-SF	23.0	A1	1.31	0.37	
8.4	455811	3C80-E	33.0	B1	1.75	0.55	
8.9	455812	3C85-E	35.0	B1	1.75	0.55	
9.4	455813	3C90-E	36.0	B1	1.75	0.55	
9.9	455814	3C95-E	37.0	B1	1.75	0.55	
10.4	455815	3C100-E	39.0	B1	1.75	0.55	
10.9	455816	3C105-E	39.0	B1	1.75	0.55	
11.4	455817	3C110-E	40.0	B1	1.75	0.55	
12.4	455818	3C120-E	43.0	B2	1.75	0.55	
13.4	455819	3C130-E	45.0	B3	1.75	0.55	
14.4	455820	3C140-E	51.0	B3	1.75	0.55	
16.4	455821	3C160-E	59.0	A3	1.31	0.12	
18.4	455822	3C180-E	55.0	D3	0.81	0.38	
20.4	455823	3C200-E	60.0	D3	1.00	0.20	
24.4	455824	3C240-E	75.0	D3	1.00	0.20	
27.4	456013	3C270-F	91.0	D3	0.81	0.61	
30.4	455825	3C360-F	104.0	D3	0.81	0.61	
36.4	455826	3C440-F	133.0	D3	0.81	0.61	
44.4	455827	3C500-F	176.0	D3	0.81	0.61	
50.4	455828	3C500-F	211.0	D3	0.81	0.61	

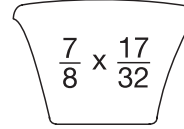
4-Groove							F = 4.37
O.D. Δ	Part No.	Description Maska Part #—Bushing Size	Wt.	Type ‡	M	K	
5.4	455829	+4C50-SD	11.0	A1	1.56	0.87	
5.9	455830	+4C56-SD	12.0	A1	1.56	0.87	
6.4	455831	+4C60-SF	11.0	A1	1.56	0.62	
7.4	455832	4C70-SF	23.0	A1	1.56	0.62	
7.9	455833	4C75-SF	25.0	A1	1.50	0.56	
8.4	455834	4C80-E	36.0	A1	2.00	0.80	
8.9	455835	4C85-E	39.0	A1	2.00	0.80	
9.4	455836	4C90-E	39.0	A1	2.13	0.93	
9.9	455837	4C95-E	41.0	A1	2.00	0.80	
10.4	455838	4C100-E	43.0	A1	2.13	0.93	
10.9	455839	4C105-E	44.0	A1	2.13	0.93	
11.4	455840	4C110-E	46.0	A1	2.13	0.93	
12.4	455841	4C120-E	50.0	A2	2.13	0.93	
13.4	455842	4C130-E	53.0	A3	2.00	0.80	
14.4	455843	4C140-E	59.0	A2	1.81	0.62	
16.4	455844	4C160-E	69.0	A3	1.94	0.74	
18.4	455845	4C180-E	66.0	A3	1.88	0.68	
20.4	455846	4C200-E	72.0	A3	1.50	0.30	
24.4	455847	4C240-F	95.0	D3	1.31	0.11	
27.4	456014	4C270-F	110.0	D3	1.31	0.11	
30.4	455848	4C360-F	126.0	D3	1.31	0.11	
36.4	455849	4C440-J	162.0	D3	1.31	0.11	
44.4	455850	4C500-J	236.0	D3	1.19	0.41	
50.4	455851	4C500-J	279.0	D3	1.56	0.04	

Δ Pitch Diameter = O.D.

‡ Type 1 = Block Type, 2 = Web, 3 = Arm – See page 64.

+ Recommended CX Belt only

## C QD Sheaves



5-Groove <span style="float: right;">F = 5.37</span>						
O.D. Δ	Part No.	Description Maska Part # - Bushing Size	Wt.	Type ‡	M	K
6.4	455852	5C60-SF+	13.0	A1	1.94	1.00
7.4	455853	5C70-SF	26.0	A1	1.25	0.31
7.9	455854	5C75-SF	28.0	A1	1.88	0.93
8.4	455855	5C80-E	39.0	A1	1.50	0.30
8.9	455856	5C85-E	42.0	A1	1.63	0.43
9.4	455857	5C90-E	43.0	A1	1.63	0.43
9.9	455858	5C95-E	45.0	A1	1.50	0.30
10.4	455859	5C100-E	48.0	A1	1.50	0.30
10.9	455860	5C105-E	50.0	A1	1.50	0.30
11.4	455861	5C110-E	52.0	A1	2.25	1.05
12.4	455862	5C120-E	57.0	A1	2.22	1.02
13.4	455863	5C130-E	61.0	A2	2.00	0.80
14.4	455864	5C140-E	69.0	A2	2.00	0.80
16.4	455865	5C160-E	79.0	A3	2.00	0.80
18.4	455866	5C180-E	74.0	A3	2.38	1.18
20.4	455867	5C200-F	88.0	D3	1.31	0.11
24.4	455868	5C240-F	110.0	D3	1.31	0.11
27.4	456083	5C270-F	128.0	D3	1.31	0.11
30.4	455869	5C360-J	148.0	D3	1.31	0.11
36.4	455870	5C440-J	212.0	D3	1.31	0.29
44.4	455871	5C500-J	274.0	D3	1.31	0.29
50.0	455872	5C500-J	325.0	D3	1.56	0.04

8-Groove <span style="float: right;">F = 8.37</span>						
O.D. Δ	Part No.	Description Maska Part # - Bushing Size	Wt.	Type ‡	M	K
7.4	455894	8C70-SF	32.0	A1	4.00	3.06
8.4	455895	8C80-E	49.0	A1	3.25	2.05
8.9	455896	8C85-E	53.0	A1	3.25	2.05
9.4	455897	8C90-F	68.0	A1	2.50	1.08
9.9	455898	8C95-F	74.0	A1	2.50	1.08
10.4	455899	8C100-F	73.0	A1	2.50	1.08
10.9	455900	8C105-F	74.0	A1	2.50	1.08
11.4	455901	8C110-F	78.0	A1	3.38	1.95
12.4	455902	8C120-F	86.0	A1	3.38	1.95
13.4	455903	8C130-F	93.0	A1	3.38	1.95
14.4	455904	8C140-F	102.0	A1	3.38	1.95
16.4	455905	8C160-F	116.0	A3	3.38	1.95
18.4	455906	8C180-F	133.0	A3	3.63	2.20
20.4	455907	8C200-J	147.0	D3	1.56	0.04
24.4	455908	8C240-J	179.0	D3	1.56	0.04
27.4	456085	8C270-J	205.0	D3	1.56	0.04
30.4	455909	8C360-M	233.0	D3	1.56	0.04
36.4	455910	8C440-M	339.0	A3	1.94	0.20
44.4	455911	8C500-M	428.0	A3	1.94	0.20
50.4	455912	8C500-M	502.0	A3	1.94	0.20

12-Groove <span style="float: right;">F = 12.37</span>						
O.D. Δ	Part No.	Description Maska Part # - Bushing Size	Wt.	Type ‡	M	K
9.4	455930	12C90-J	92.0	A1	4.06	2.46
9.9	455931	12C95-J	100.0	A1	4.06	2.46
10.4	455932	12C100-J	108.0	A1	4.06	2.46
10.9	455933	12C105-J	115.0	A1	4.06	2.46
11.4	455934	12C110-J	125.0	A1	4.06	2.46
12.4	455935	12C120-J	127.0	A1	4.06	2.46
13.4	455936	12C130-J	135.0	A1	4.06	2.46
14.4	455937	12C140-J	145.0	A1	4.06	2.46
16.4	455938	12C160-J	165.0	A2	4.06	2.46
18.4	455939	12C180-J	198.0	A3	4.06	2.46
20.4	455940	12C200-M	277.0	A3	1.94	0.20
24.4	455941	12C240-M	287.0	A3	1.94	0.20
30.4	455942	12C300-M	362.0	A3	1.94	0.20
36.4	455943	12C360-M	446.0	A3	1.94	0.20
44.4	455944	12C440-M	572.0	A3	1.94	0.20
50.4	455945	12C500-M	676.0	A3	1.94	0.20

6-Groove <span style="float: right;">F = 6.37</span>						
O.D. Δ	Part No.	Description Maska Part # - Bushing Size	Wt.	Type ‡	M	K
6.4	455873	+6C60-SF	15.0	A1	1.94	1.00
7.4	455874	6C70-SF	29.0	A1	1.94	1.00
7.9	455875	6C75-SF	31.0	A1	1.94	1.18
8.4	455876	6C80-E	42.0	A1	2.38	1.18
8.9	455877	6C85-E	46.0	A1	2.38	1.02
9.4	455878	6C90-F	60.0	A1	2.44	1.02
9.9	455879	6C95-F	66.0	A1	2.44	1.02
10.4	455880	6C100-F	64.0	A1	2.44	1.02
10.9	455881	6C105-F	65.0	A1	2.44	1.02
11.4	455882	6C110-F	68.0	A1	2.44	1.02
12.4	455883	6C120-F	73.0	A1	2.44	1.02
13.4	455884	6C130-F	76.0	A2	2.50	1.08
14.4	455885	6C140-F	85.0	A2	2.44	1.02
16.4	455886	6C160-F	96.0	A3	2.44	1.02
18.4	455887	6C180-F	90.0	A3	2.63	1.20
20.4	455888	6C200-F	100.0	A3	1.94	0.52
24.4	455889	6C240-F	126.0	A3	1.94	0.52
27.4	456084	6C270-J	169.0	D3	0.56	0.04
30.4	455890	6C360-J	191.0	D3	1.56	0.04
36.4	455891	6C440-J	239.0	D3	1.56	0.04
44.4	455892	6C500-M	310.0	D3	1.56	0.04
50.4	455893	6C500-J	415.0	B3	1.94	0.34

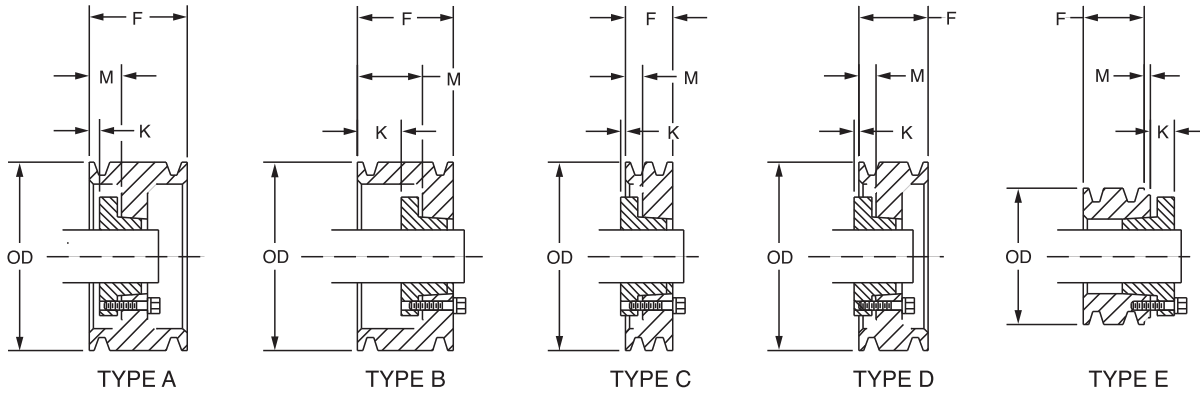
10-Groove <span style="float: right;">F = 10.37</span>						
O.D. Δ	Part No.	Description Maska Part # - Bushing Size	Wt.	Type ‡	M	K
8.4	455913	10C80-E	76.0	A1	3.25	2.05
8.9	455914	10C85-E	80.0	A1	3.25	2.05
9.4	455915	10C90-J	84.0	A1	3.56	1.96
9.9	455916	10C95-J	91.0	A1	3.56	1.96
10.4	455917	10C100-J	99.0	A1	3.56	1.96
10.9	455918	10C105-J	106.0	A1	3.56	1.96
11.4	455919	10C110-J	115.0	A1	3.56	1.96
12.4	455920	10C120-J	114.0	A1	3.56	1.96
13.4	456061	10C130-J	119.0	A1	3.56	1.96
14.4	455921	10C160-J	128.0	A1	3.63	2.02
16.4	455922	10C180-J	147.0	A1	3.56	1.96
18.4	455923	10C200-J	156.0	A3	3.56	1.96
20.4	455924	10C240-M	171.0	A3	3.56	1.96
24.4	455925	10C300-M	257.0	A3	1.94	0.20
30.4	455926	10C360-M	321.0	A3	1.94	0.20
36.4	455927	10C440-M	393.0	A3	1.94	0.20
44.4	455928	10C500-M	500.0	A3	1.94	0.20
50.4	455929	10C500-M	589.0	A3	1.94	0.20

Δ Pitch Diameter = O.D.

‡ Type 1 = Block Type, 2 = Web, 3 = Arm - See page 64.

+ Recommended CX belt only

## D QD Sheaves



3-Groove F = 4.62						
O.D. Δ	Part No.	Description Maska Part #–Bushing Size	Wt.	Type ‡	M	K
12.6	455946	3D120-F	83.0	A1	1.50	0.08
13.6	455947	3D130-F	88.0	A1	1.50	0.08
14.1	455948	3D135-F	88.0	A1	1.50	0.08
14.6	455949	3D140-F	111.0	A1	1.50	0.08
15.1	455950	3D145-F	111.0	A1	1.50	0.08
15.6	455951	3D150-F	105.0	A2	1.50	0.08
16.1	455952	3D155-F	105.0	A2	1.50	0.08
16.6	455953	3D160-F	150.0	A2	1.50	0.08
18.6	455954	3D180-J	146.0	D2	1.19	0.41
20.6	455955	3D220-J	117.0	D2	1.19	0.41
22.6	455956	3D220-J	128.0	D2	1.19	0.41
27.6	455957	3D270-J	129.0	D3	1.19	0.41
33.6	455958	3D330-J	200.0	D3	1.19	0.41

4-Groove F = 6.06						
O.D. Δ	Part No.	Description Maska Part #–Bushing Size	Wt.	Type ‡	M	K
12.6	455960	4D120-F	85.0	A1	2.31	0.89
13.6	455961	4D130-F	76.0	A1	2.31	0.89
14.1	455962	4D135-F	107.0	A1	2.31	0.89
14.6	455983	4D140-F	106.0	A2	2.31	0.89
15.1	455964	4D145-F	106.0	A2	2.31	0.89
15.6	455965	4D150-F	110.0	A2	2.31	0.89
16.1	455966	4D155-F	110.0	A2	2.31	0.89
16.6	455967	4D160-F	150.0	A2	2.31	0.89
18.6	455968	4D180-J	146.0	D2	1.56	0.04
20.6	455969	4D200-J	137.0	D2	1.56	0.04
22.6	455970	4D220-J	151.0	D2	1.56	0.04
27.6	455971	4D270-J	190.0	D3	1.56	0.04
33.6	455972	4D330-M	288.0	C3	1.06	0.68
40.6	455973	4D400-M	354.0	C3	1.06	0.68
48.6	455974	4D480-M	439.0	C3	1.06	0.68

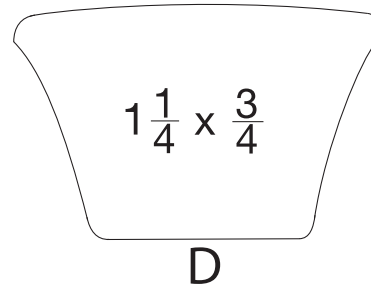
5-Groove F = 7.50						
O.D. Δ	Part No.	Description Maska Part #–Bushing Size	Wt.	Type ‡	M	K
12.6	455976	5D120-F	98.0	A1	3.06	1.64
13.6	455977	5D130-F	114.0	A1	3.06	1.64
14.1	455978	5D135-F	134.0	A1	3.06	1.64
14.6	455979	5D140-F	140.0	A1	3.06	1.64
15.1	455980	5D145-F	140.0	A1	3.06	1.64
15.6	455981	5D150-F	146.0	A2	3.06	1.64
16.1	455982	5D155-F	146.0	A2	3.06	1.64
16.6	455983	5D160-F	143.0	A2	3.06	1.64
18.6	455984	5D180-J	164.0	D2	1.56	0.04
20.6	455985	5D200-J	157.0	D2	0.69	0.91
22.6	455986	5D220-J	174.0	D3	1.56	0.04
27.6	455987	5D270-M	268.0	A3	1.94	0.20
33.6	455988	5D330-M	329.0	A3	1.94	0.20
40.6	455989	5D400-M	408.0	A3	1.94	0.20
48.6	455990	5D480-M	510.0	A3	1.94	0.20

6-Groove F = 8.93						
O.D. Δ	Part No.	Description Maska Part #–Bushing Size	Wt.	Type ‡	M	K
12.6	455992	6D120-J	126.0	A1	3.31	1.71
13.6	455993	6D130-J	140.0	A1	3.31	1.71
14.1	455994	6D135-J	140.0	A1	3.31	1.71
14.6	455995	6D140-J	159.0	A1	3.31	1.71
15.1	455996	6D145-J	162.0	A1	3.31	1.71
15.6	455997	6D150-J	162.0	A2	3.31	1.71
16.1	455998	6D155-J	162.0	A2	3.31	1.71
16.6	456000	6D160-J	199.0	A1	3.88	2.27
18.6	456001	6D180-J	223.0	A2	3.88	2.27
20.6	456002	6D200-J	178.0	A2	3.88	2.27
22.6	456003	6D220-M	246.0	A2	3.16	1.42
27.6	456004	6D270-M	298.0	A3	1.94	0.20
33.6	456005	6D330-M	369.0	A3	1.94	0.20
40.6	456006	6D400-M	462.0	A3	1.94	0.20
48.6	456007	6D480-M	581.0	A3	1.94	0.20
58.6	456008	6D580-N	764.0	D3	1.34	0.71

Δ Pitch Diameter = O.D.

‡ Type 1 = Block Type, 2 = Web, 3 = Arm – See page 64.

## D QD Sheaves



8-Groove							F = 11.81
O.D. Δ	Part No.	Description Maska Part #–Bushing Size	Wt.	Type ‡	M	K	
12.6	456009	8D120-J	151.0	A1	3.56	1.96	
13.6	456010	8D130-J	168.0	A1	3.56	1.96	
14.1	456011	8D135-J	168.0	A1	3.56	1.96	
14.6	456015	8D140-J	181.0	A1	3.56	1.96	
15.1	456016	8D145-J	181.0	A1	3.56	1.96	
15.6	456017	8D150-J	216.0	A1	3.56	1.96	
16.1	456018	8D155-J	216.0	A1	3.56	1.96	
16.6	456019	8D160-J	237.0	A1	3.56	1.96	
18.6	456020	8D180-M	249.0	A2	4.19	2.45	
20.6	456021	8D200-M	299.0	A2	4.38	2.64	
22.6	456022	8D220-M	292.0	A2	2.34	0.60	
27.6	456023	8D270-M	360.0	A3	2.19	0.45	
33.6	456024	8D330-M	451.0	A3	1.94	0.20	
40.6	456025	8D400-N	588.0	A3	2.25	0.20	
48.6	456026	8D480-N	739.0	A3	2.25	0.20	
58.6	456027	8D580-N	950.0	D3	2.78	0.73	

10-Groove							F = 14.68
O.D. Δ	Part No.	Description Maska Part #–Bushing Size	Wt.	Type ‡	M	K	
12.6	456028	10D120-M	153.0	A1	3.94	2.20	
13.6	456029	10D130-M	180.0	A1	3.81	2.07	
14.1	456030	10D135-M	186.0	A1	3.94	2.20	
14.6	456031	10D140-M	221.0	A1	3.81	2.07	
15.1	456032	10D145-M	221.0	A1	3.81	2.07	
15.6	456033	10D150-M	247.0	A1	3.94	2.20	
16.1	456034	10D155-M	270.0	A1	3.94	2.20	
16.6	456035	10D160-M	267.0	A1	1.88	0.14	
18.6	456036	10D180-M	274.0	A1	3.88	2.14	
20.6	456037	10D200-M	341.0	A2	3.50	1.76	
22.6	456038	10D220-M	339.0	A2	2.94	1.20	
27.6	456039	10D270-M	422.0	A3	2.94	1.20	
33.6	456040	10D330-N	552.0	A3	3.25	1.20	
40.6	456041	10D400-N	696.0	A3	3.38	1.33	
48.6	456042	10D480-P	926.0	A3	2.63	0.32	
58.6	456043	10D580-P	1179.0	D3	3.72	1.42	

Δ Pitch Diameter = O.D.

‡ Type 1 = Block Type, 2 = Web, 3 = Arm – See page 64.

**WARNING:** The sheaves listed in this catalog must not be used with the high modulus belts unless approved by factory. Do not use with belt speeds exceeding 6500 FPM. May cause sheaves to fragment resulting in personal injury or property damage.

12-Groove							F = 17.56
O.D. Δ	Part No.	Description Maska Part #–Bushing Size	Wt.	Type ‡	M	K	
12.6	456044	12D12.0-M	180.0	A-1	7.31	4.94	
12.6	456045	12D13.0-M	230.0	A-1	7.31	4.94	
14.6	456047	12D14.0-M	256.0	A-1	7.31	4.94	
15.1	456048	12D14.5-M	270.0	A-1	7.31	4.94	
15.6	456049	12D15.0-M	285.0	A-1	7.31	4.94	
16.1	456050	12D15.5-M	285.0	A-1	7.31	4.94	
16.6	456051	12D16.0-M	300.0	A-2	7.31	4.94	
18.6	456052	12D18.0-M	320.0	A-2	7.31	4.94	
22.6	456054	12D22.0-M	376.0	A-3	8.31	3.94	
27.6	456055	12D27.0-N	500.0	A-3	6.94	4.25	
33.6	456056	12D33.0-N	662.0	A-3	6.94	4.25	
40.6	456057	12D400-P	850.0	A-3	7.56	2.63	
48.6	456059	12D480-P	1100.0	A-3	7.56	2.63	
58.6	456060	12D58.0-P	1158.0	A-3	7.56	2.63	

Pitch Diameter = O.D.

‡ Type 1 = Block Type, 2 = Web, 3 = Arm – See page 64.



## Custom-Made Sheaves & Sprockets

### V-Belt Sheaves & Synchronous Sprockets

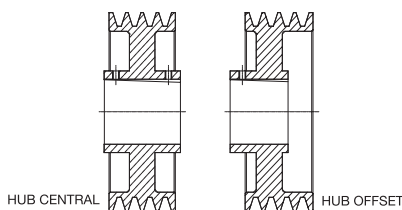
Standard stock products offer the best value for most power transmission operations. But, for requirements that cannot be served with stock products, Baldor manufactures custom-made sheaves and synchronous belt sprockets.

### Custom Construction Options

- Non-stock pitch diameter
- Non-stock number of teeth
- Alternate hub location
- Special material: ductile, steel, aluminum, stainless steel etc.
- Alternate bushing or bore configuration for mounting product onto shaft
- Other non-standard requirements

### Hub Locations

- Hub central
- Typical for larger diameter products
- Hub offset
- This location is preferred for wider face widths. It is positioned to accommodate the shaft and provides centralized sheave support
- Hub projection
- Required for access to setscrews on smaller bored-to-size products
- Special coating and plating



### Materials

Stock sheaves, as well as synchronous sprockets, are manufactured typically from high quality gray iron. Frequently specified alternate materials are shown below.

#### ALTERNATE MATERIALS

Material	Grade	Max. Rim Speed (FPM)
Gray Iron	—	6,500
Ductile	65-45-12	8,000
Iron	80-55-06	10,000
Steel	—	10,000

Dynamic (two-plane) balance normally required for rim speeds above 6,500 feet per minute (FPM).

Drives that exceed 8,000 FPM should be reviewed by Baldor engineering.



SYNCHRONOUS SPROCKETS



V-BELT SHEAVES

### Mounting Styles

#### Bored-to-size

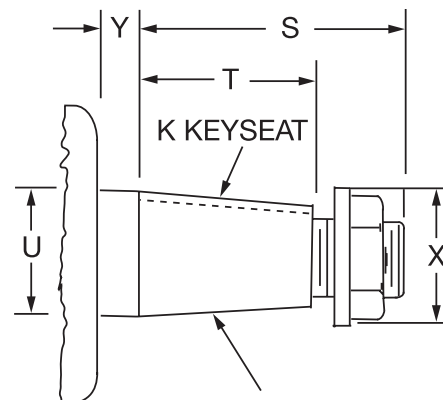
Required when rim diameter cannot accommodate the bushing that is required for the bore size. One keyseat, as well as one or two setscrews are usually specified.

#### Taper bushed

Specify Taper-Lock® or QD bushing for required bore size. Verify that hub diameter accommodates bushing. Taper bushed mounting is preferred because this mounting compensates for variations in shaft diameter; provides tight, secure fit; and removes easily for servicing.

#### Taper bore

For use on taper shafts (sketch below). If hub is not central with face, specify which hub end takes large end of bore. Hub at small end will extend 1/8, beyond the "T" dimension. Keyways are standard size, as well as parallel with the taper, unless specified otherwise.



## Oil Field Sheaves

Baldor offers custom oilfield 8V sheaves, for driver and driven applications.

Whether you need sheaves from 8 to 16 grooves or sheaves with diameter ranging from 17 in. to 63 in. with offset, Baldor will supply it to you...when you need it.

**Note:** All oilfield sheaves from Baldor are custom parts. Custom sheaves are generally available in 3-4 weeks.

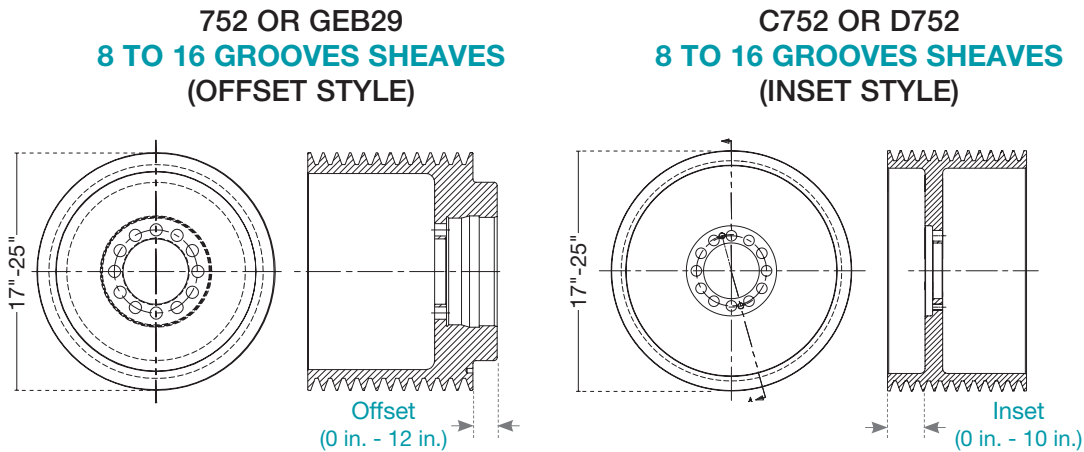
### 752 Motor Sheaves (DRIVER)

Oilfield machinery, such as mud pumps, have GE 752 traction motors with higher tolerances that require a special hub pulley for a shrink-fitted mounting onto the shaft. The matched driven pulley, as well, generally has to be mounted onto larger shafts.

To meet this demand, Baldor has added several GE 752 Series sheaves hub pulleys to our line.

Baldor offers you a complete line of 8V sheaves to fit with GE752, AMA 422 and any other traction motors for the oilfield industry.

Sheave diameter ranges from 17 in. to 25 in. and are made from gray cast iron or ductile cast iron. Depending on the required motor speed, sheaves may be dynamically balanced.



Diameter offered : 17 in. - 25 in.

Hub fits with:

- 752 (equivalent to: GEB22A and GE752)
- GEB29 (equivalent to: GEB22D, GEB28A and GEB29A)
- AMA 422

Baldor can also design and manufacture sheaves outside these dimensions, please contact us for more information.

**Oil Field Sheaves - Mud Pump Sheaves (DRIVEN)**

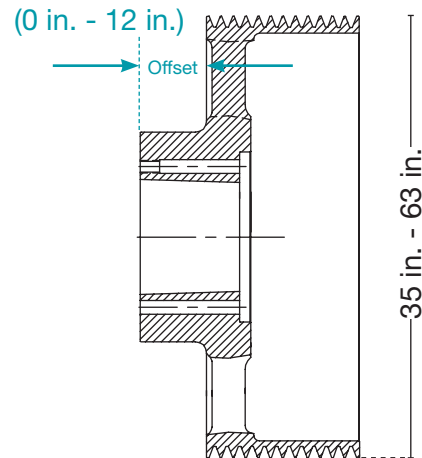
**Complete Line of Sheaves for Mud Pumps**

Baldor offers mud pump **8V sheaves** ranging from 35 in. to 63 in. O.D. made in gray cast iron or ductile cast iron, depending on the RPM of the application.

**Offset Requirement**

Offset on the driven sheave is an important point to consider when ordering, as this dimension provides a fit alignment with the driver sheave located on the motor.

Remember when ordering a mud pump sheave to measure the offset required. Use this drawing as a guide. The offset is not a standard dimension and it is different on every sheave.



# of Grooves (8V Sheaves)	O.D. Range	Hub
8	35.0 - 53.0	W, S
10	35.0 - 53.0	W, S
12	35.0 - 53.0	W, S
14	35.0 - 63.0	W, S
16	35.0 - 63.0	W, S

**Information Needed (RFQ)**

In order to serve you rapidly, we need from you the following information.

- Outside diameter (O.D.)
- Number of grooves
- RPM of motor (or RPM of mud pump sheave)
- Offset on mud pump
- Hub type

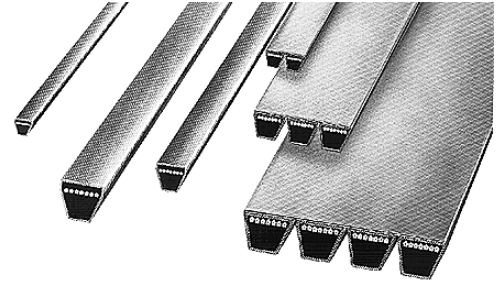
**Bushings**

Mud pump sheaves are used with S and W bushings (up to 10 in. bore size). All those bushings are part of Baldor standard product line.

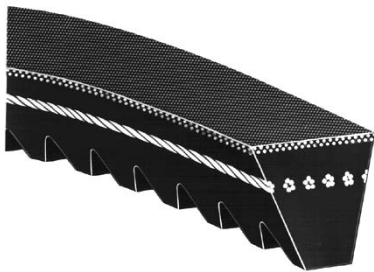
## V-Belts

V-drives have been the mainstay of industrial power transmission for over 60 years. During this time, Dodge has been a major influence, designing and developing innovative concepts in V-belt sheaves and supplying the highest quality belts.

Today's V-drives offer quiet, efficient mechanical power transmission. They provide many thousands of hours of performance, even under conditions of shock load and normal drive misalignment. All of these benefits come at an economic value that is unsurpassed.

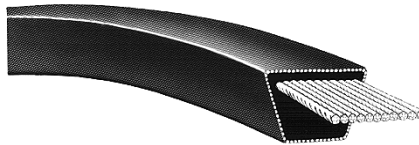


### D-V WEDGE BELTS 3VX-5VX-8V



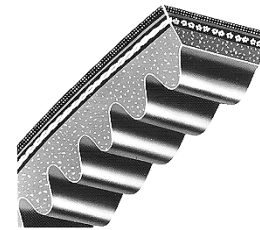
- Oil resistant and static conducting
- Permits compact, lighter weight drives flexibility
- High-strength tension member delivers maximum power with minimum stretch
- Built for long-term dimensional stability

### S-L CLASSIC V-BELTS A-B-C-D-E



- Molded cog construction under 200 inch belt length is reduced
- Cable cord envelope construction
- Cool running and flexible
- Strong tensile cords minimize stretch
- Static conducting and heat and oil resistant
- More tolerant of shock loads

### CLASSIC COG V-BELTS AX-BX-CX-DX

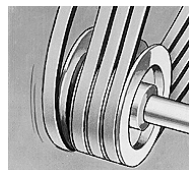


- Deliver more horsepower and last longer than conventional belts...
- Fully notched cogs for maximum
  - High coefficient rubber edge
  - Oil resistant and static conducting
  - Proven energy-saving design
  - Outlasts conventional belts
  - Fewer belts required - drive weight

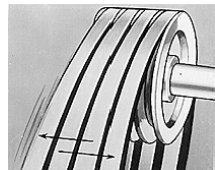
### POLYBAND CLASSIC POLYBAND WEDGE V-BELTS



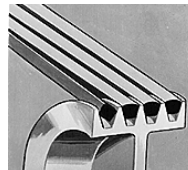
Polyband banded V-belts are engineered to handle those problem drives where vibration, sudden shock loads or misalignment causes belts to turn over, whip or jump off sheave. Two or more belts are inseparable joined together as one single unit. Polyband belts may be used without changing sheaves or altering the drive.



NO JUMP OFF

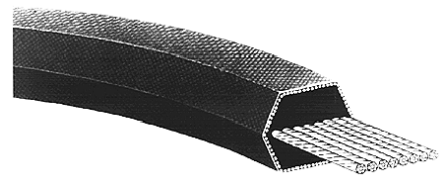


NO WHIP



NO TURN OVER

### DOUBLE-V SEALED-LIFE (HEX)



### For Serpentine Drives

- Transmits power from both sides of belt
- Standard AA, BB, CC cross sections
- Runs in standard classical sheaves
- Oil resistant and static conducting

D-V Wedge Narrow Belts

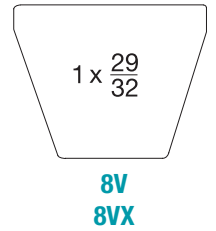
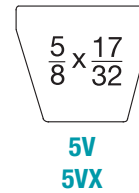


RAW-EDGE MOLDED COG CONSTRUCTION



WRAPPED CONSTRUCTION

- Oil resistant and static conducting
- Permits compact, lighter weight drives
- Hi-strength tension member delivers maximum power with minimum stretch
- Built for long-term dimensional stability.
- Matched to MPTA/RMA standards. No additional matching or matching codes required.



3VX				5VX, 5V								8VX, 8V			
Belt No.	Part No.	Wt.	Lgth. Δ	Belt No.	Part No.	Wt.	Lgth. Δ	Belt No.	Part No.	Wt.	Lgth. Δ	Belt No.	Part No.	Wt.	Lgth. Δ
3VX250	107150	0.11	25	5VX450	—	0.51	45	5VX900	107180	1.04	90	8VX1000	107200	2.97	100
3VX265	107220	0.11	27	5VX470	—	0.54	47	5VX930	—	1.07	93	8VX1060	107219	3.50	106
3VX280	107151	0.12	28	5VX490	—	0.56	49	5VX950	107195	1.10	95	8VX1120	107201	3.35	112
3VX300	107229	0.12	30	5VX500	107175	0.57	50	5VX960	—	1.11	96	8VX1180	107240	3.65	118
3VX315	107152	0.14	31.5	5VX510	—	0.59	51	5VX1000	107181	1.16	100	8VX1250	107202	3.98	125
3VX335	107230	0.14	33.5	5VX530	107233	0.61	53	5VX1030	—	1.18	103	8VX1320	107241	4.05	132
3VX355	107153	0.16	35.5	5VX540	—	0.63	54	5VX1060	107196	1.23	106	8VX1400	107203	4.16	140
3VX375	107166	0.16	37.5	5VX550	—	0.63	55	5VX1080	—	1.24	108	8VX1500	107242	4.69	150
3VX400	107155	0.16	40	5VX560	107176	0.64	56	5VX1120	107182	1.30	112	8VX1600	107204	5.30	160
3VX425	107167	0.17	42.5	5VX570	—	0.66	57	5VX1150	—	1.33	115	8VX1700	107243	5.27	170
3VX450	107155	0.54	45	5VX580	—	0.67	58	5VX1160	—	1.34	116	8VX1800	107205	5.73	180
3VX475	107221	0.20	47.5	5VX590	—	0.68	59	5VX1180	107197	1.37	118	8VX1900	107244	5.81	190
3VX500	107156	0.22	50	5VX600	107234	0.69	60	5VX1230	—	1.42	123	8VX2000	107206	6.05	200
3VX530	107222	0.21	53	5VX610	—	0.70	61	5VX1250	107183	1.45	125	8V2120	107245	6.80	212
3VX560	107157	0.22	56	5VX630	107177	0.73	63	5VX1320	107224	1.53	132	8V2240	107207	7.25	224
3VX600	107168	0.24	60	5VX650	—	0.75	65	5VX1400	107184	1.62	140	8V2360	107215	7.65	236
3VX630	107158	0.27	63	5VX660	—	0.75	66	5VX1500	107225	1.74	150	8V2500	107208	7.97	250
3VX670	107169	0.29	67	5VX670	107235	0.77	67	5VX1600	107185	1.86	160	8V2650	107246	8.52	265
3VX710	107159	0.31	71	5VX680	—	0.78	68	5VX1700	107226	1.97	170	8V2800	107209	8.95	280
3VX750	107170	0.30	75	5VX690	—	0.80	69	5VX1800	107186	2.10	180	8V3000	107216	10.05	300
3VX800	107160	0.33	80	5VX710	107178	0.82	71	5VX1900	107227	2.20	190	8V3150	107210	10.50	315
3VX850	107171	0.39	85	5VX730	—	0.84	73	5VX2000	107187	2.30	200	8V3350	107247	11.20	335
3VX900	107161	0.38	90	5VX740	—	0.85	74	5V2120	107228	2.50	212	8V3550	107211	11.90	355
3VX950	107172	0.40	95	5VX750	107193	0.87	75	5V2240	107188	2.60	224	8V3750	107218	12.60	375
3VX1000	107162	0.44	100	5VX780	—	0.90	78	5V2360	107236	2.74	236	8V4000	107212	13.40	400
3VX1060	107223	0.44	106	5VX800	107179	0.92	80	5V2500	107189	2.84	250	8V4250	107248	14.20	425
3VX1120	107163	0.46	112	5VX810	—	0.93	81	5V2650	107237	2.99	265	8V4500	107213	15.10	425
3VX1180	107231	0.50	118	5VX830	—	0.96	83	5V2800	107190	3.10	280	8V4750	107217	15.50	475
3VX1250	107164	0.54	125	5VX840	—	0.97	84	5V3000	107238	3.60	300	8V5000	107214	16.00	500
3VX1320	107232	0.57	132	5VX850	107194	0.98	85	5V3150	107191	3.80	315	—	—	—	—
3VX1400	107165	0.62	140	5VX860	—	0.99	86	5V3350	107239	4.00	335	—	—	—	—
3VX1500	107173	0.56	150	5VX880	—	1.02	88	5V3550	107192	4.30	355	—	—	—	—

Δ Outside circumference in inches

**D-V Wedge Banded Belts**



**3VX POLYBAND NARROW BELTS (2, 3, 4, 5, AND 6 BANDS)**

Lgth. Δ	Belt No.	Wgt. Per Band	2-Band P/N	3-Band P/N	4-Band P/N	5-Band P/N	6-Band P/N
25	R3VX250 Δ	0.10	—	—	—	—	—
26.5	R3VX265 Δ	0.10	—	—	—	—	—
28	R3VX280 Δ	0.10	108208	108209	108210	108211	—
30	R3VX300 Δ	0.15	108212	108213	108214	108215	—
31.5	R3VX315 Δ	0.15	108216	108217	108218	108219	—
33.5	R3VX335 Δ	0.15	108220	108221	108222	108228	—
35.5	R3VX355 Δ	0.15	108224	108225	108226	108227	—
37.5	R3VX375 Δ	0.15	108228	108229	108230	108231	—
40	R3VX400 Δ	0.20	108232	108233	108234	108235	—
42.5	R3VX425 Δ	0.20	108236	108237	108238	108239	—
45	R3VX450 Δ	0.20	108240	108241	108242	108243	—
47.5	R3VX475 Δ	0.20	108244	108245	108246	108247	—
50	R3VX500 Δ	0.20	108248	108249	108250	108251	—
53	R3VX530 Δ	2.50	108252	108253	108254	108255	—
56	R3VX560 Δ	2.50	108256	108257	108258	108259	—
60	R3VX600 Δ	2.50	108260	108261	108262	108263	—
63	R3VX630 Δ	0.30	108264	108265	108266	108267	—
67	R3VX670 Δ	0.30	108268	108269	108270	108271	—
71	R3VX710 Δ	0.30	108272	108273	108274	108275	—
75	R3VX750 Δ	0.35	108276	108277	108278	108279	—
80	R3VX800 Δ	0.35	108280	108281	108282	108283	—
85	R3VX850 Δ	0.40	108284	108285	108286	108287	—
90	R3VX900 Δ	0.40	108288	108289	108290	108291	—
95	R3VX950 Δ	0.45	108292	108293	108294	108295	—
100	R3VX1000 Δ	0.45	108296	108297	108298	108299	—
106	R3VX1060 Δ	0.50	108300	108301	108302	108303	—
112	R3VX1120 Δ	0.50	108304	108305	108306	108307	—
118	R3VX1180 Δ	0.55	108308	108309	108310	108311	—
125	R3VX1250 Δ	0.55	108312	108313	108314	108315	—
132	R3VX1320 Δ	0.60	108316	108317	108318	108319	—
140	R3VX1400 Δ	0.65	108320	108321	108322	108323	—

Δ Outside circumference in inches

BUSHINGS & HUBS

SHEAVES

SYNCHRONOUS DRIVES

COUPLINGS

PART NUMBER INDEX

## 5VX, 5V Polyband Narrow Belts (2, 3, 4, 5, and 6 Bands)

Lgth. Δ	Belt No.	Wgt. Per Band	2-Band P/N	3-Band P/N	4-Band P/N	5-Band P/N	6-Band P/N
50	R5VX500 Δ	0.65	108330	–	–	–	–
53	R5VX530 Δ	0.65	–	–	–	–	–
56	R5VX560 Δ	0.70	108338	108339	108340	108341	–
60	R5VX600 Δ	0.75	108342	108343	108344	108345	–
63	R5VX630 Δ	0.80	108346	108347	108348	108349	–
67	R5VX670 Δ	0.85	108350	108351	108352	108353	–
71	R5VX710 Δ	0.90	108354	108355	108356	108357	–
75	R5VX750 Δ	0.95	108358	108359	108360	108361	–
80	R5VX800 Δ	1.00	108362	108363	108364	108365	–
85	R5VX850 Δ	1.10	108366	108367	108368	108369	–
90	R5VX900 Δ	1.15	108370	108371	108372	108373	–
95	R5VX950 Δ	1.20	108374	108375	108376	108377	–
100	R5VX1000 Δ	1.30	108378	108379	108380	108381	–
106	R5VX1060 Δ	1.35	108382	108383	108384	108385	–
112	R5VX1120 Δ	1.45	108386	108387	108388	108389	–
118	R5VX1180 Δ	1.50	108390	108391	108392	108393	–
125	R5VX1250 Δ	1.60	108394	108395	108396	108397	–
132	R5VX1320 Δ	1.70	108398	108399	108400	108401	–
140	R5VX1400 Δ	1.80	108402	108403	108404	108405	108329
150	R5VX1500 Δ	1.90	108406	108407	108408	108409	–
160	R5VX1600 Δ	2.05	108410	108411	108412	108413	–
170	R5VX1700 Δ	2.20	108414	108415	108416	108417	–
180	R5VX1800 Δ	2.30	108418	108419	108420	108421	–
190	R5VX1900 Δ	2.45	108422	108423	108424	108425	–
200	R5VX2000 Δ	2.55	108426	108427	108428	108429	–
212	R5V2120 Δ	2.75	108430	108431	108432	108433	–
224	R5V2240 Δ	2.90	108434	108435	108436	108437	–
236	R5V2360 Δ	3.00	108438	108439	108440	108441	–
250	R5V2500 Δ	3.20	108442	108443	108444	108445	–
265	R5V2650 Δ	3.40	108446	108447	108448	108449	–
280	R5V2800 Δ	3.60	108450	108451	108452	108453	–
300	R5V3000 Δ	3.85	108454	108455	108456	108457	–
315	R5V3150 Δ	4.05	108458	108459	108460	108461	–
335	R5V3350 Δ	4.35	108462	108463	108464	108465	–
355	R5V3550 Δ	4.70	108466	108467	108468	108469	–

For 8V belts see next page.  
 Δ Outside circumference in inches

**8V Polyband Narrow Belts (2, 3, 4, 5, and 6 Bands)**

Lgth. Δ	Belt No.	Wgt. Per Band	2-Band P/N	3-Band P/N	4-Band P/N	5-Band P/N	6-Band P/N
100	R8V1000 Δ	3.30	—	—	—	—	—
106	R8V1060 Δ	3.50	108486	—	—	—	—
112	R8V1120 Δ	3.70	108489	108490	108491	108492	—
118	R8V1180 Δ	3.80	108493	108494	108495	108496	—
125	R8V1250 Δ	4.15	108498	108499	108500	108501	—
132	R8V1320 Δ	4.35	108502	108503	108504	108505	—
140	R8V1400 Δ	4.65	108507	108508	108509	108510	—
150	R8V1500 Δ	5.00	108511	108512	108513	108514	—
160	R8V1600 Δ	5.35	108515	108516	108517	108518	—
170	R8V1700 Δ	5.70	108519	108520	108521	108522	—
180	R8V1800 Δ	6.00	108524	108525	108526	108527	—
190	R8V1900 Δ	6.35	108528	108529	108530	108531	—
200	R8V2000 Δ	6.70	108533	108534	108535	108536	—
212	R8V2120 Δ	7.10	108537	108538	108539	108540	108326
224	R8V2240 Δ	7.50	108542	108543	108544	108545	—
236	R8V2360 Δ	7.90	108546	108547	108548	108549	—
250	R8V2500 Δ	8.40	108550	108551	108552	108553	—
265	R8V2650 Δ	8.90	108554	108555	108556	108557	—
280	R8V2800 Δ	9.14	108559	108560	108561	108562	—
300	R8V3000 Δ	10.10	108563	108564	108565	108566	108558
315	R8V3150 Δ	10.60	108567	108568	108569	108570	—
335	R8V3350 Δ	11.30	108571	108572	108573	108574	—
355	R8V3550 Δ	12.00	108576	108577	108578	108579	—
375	R8V3750 Δ	12.65	108580	108581	108582	108583	—
400	R8V4000 Δ	13.50	108585	108586	108587	108588	—
425	R8V4250 Δ	14.35	108589	108590	108591	108592	—
450	R8V4500 Δ	15.20	108594	108595	108596	108597	—
475	R8V4750 Δ	16.05	108470	108471	108472	108473	—
500	R8V5000 Δ	16.90	108474	108475	108476	108477	—
560	R8V5600 Δ	18.90	108478	108479	108484	108488	—
600	R8V6000 Δ	20.25	—	—	—	—	—

Δ Outside circumference in inches

BUSHINGS & HUBS

SHEAVES

SYNCHRONOUS DRIVES

COUPLINGS

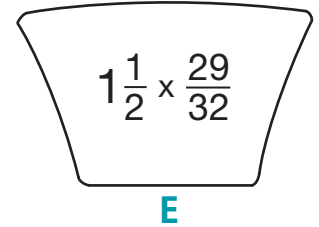
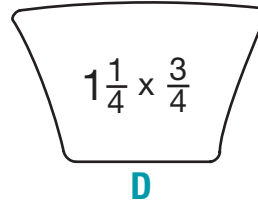
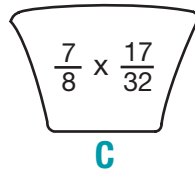
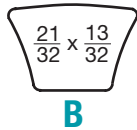
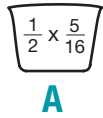
PART NUMBER INDEX



S-L Classic Belts



- Premium performance at standard prices.
- Cool running and flexible.
- Strong tensile cords remove excess stretch.
- Static conducting and heat and oil resistant.
- Matched to MPTA/RMA standards - No additional matching or match codes required.



Belt No.	Part No.	Wt.	Datum Lgth. Δ	Belt No.	Part No.	Wt.	Datum Lgth. Δ	Belt No.	Part No.	Wt.	Datum Lgth. Δ	Belt No.	Part No.	Wt.	Datum Lgth. Δ
AP21	-	0.14	22.3	AP44	<b>107324</b>	0.30	45.3	AP67	<b>107388</b>	0.44	68.3	AP89	<b>107922</b>	0.57	90.3
AP22	<b>107908</b>	0.15	23.3	AP45	<b>107329</b>	0.32	46.3	AP68	<b>107016</b>	0.80	69.3	AP90	<b>107022</b>	0.57	91.3
AP23	-	0.16	24.3	AP46	<b>107007</b>	0.31	47.3	AP69	<b>107913</b>	0.44	70.3	AP91	<b>107923</b>	0.57	92.3
AP24	<b>107910</b>	0.17	25.3	AP47	<b>107330</b>	0.34	48.3	AP70	<b>107252</b>	0.46	71.3	AP92	<b>107277</b>	0.58	93.3
AP25	-	0.18	26.3	AP48	<b>107008</b>	0.34	49.3	AP71	<b>107017</b>	0.46	72.3	AP93	<b>107430</b>	0.58	94.3
AP26	<b>107001</b>	0.20	27.9	AP49	<b>107272</b>	0.34	50.3	AP72	<b>107914</b>	0.48	73.3	AP94	<b>107924</b>	0.60	95.3
AP27	<b>107417</b>	0.19	28.3	AP50	<b>107331</b>	0.35	51.3	AP73	<b>107915</b>	0.48	74.3	AP95	<b>107925</b>	0.62	96.3
AP28	<b>107320</b>	0.21	29.3	AP51	<b>107009</b>	0.36	52.3	AP74	<b>107343</b>	0.48	75.3	AP96	<b>107023</b>	0.65	97.3
AP29	<b>107418</b>	0.21	30.3	AP52	<b>107332</b>	0.38	53.3	AP75	<b>107018</b>	0.48	76.3	AP97	<b>107926</b>	0.65	98.3
AP30	<b>107321</b>	0.23	31.3	AP53	<b>107010</b>	0.37	54.3	AP76	<b>107420</b>	0.47	77.3	AP98	<b>107431</b>	0.70	99.3
AP31	<b>107002</b>	0.24	32.3	AP54	<b>107250</b>	0.38	55.3	AP77	<b>107916</b>	0.50	78.3	AP100	<b>107346</b>	0.67	101.3
AP32	<b>107322</b>	0.24	33.3	AP55	<b>107011</b>	0.38	56.3	AP78	<b>107019</b>	0.51	79.3	AP103	-	0.68	104.3
AP33	<b>107003</b>	0.25	34.3	AP56	<b>107251</b>	0.37	57.3	AP79	<b>107917</b>	0.52	80.3	AP105	<b>107024</b>	0.68	106.3
AP34	<b>107278</b>	0.26	35.3	AP57	<b>107273</b>	0.40	58.3	AP80	<b>107020</b>	0.51	81.3	AP110	<b>107253</b>	0.70	111.3
AP35	<b>107004</b>	0.26	36.3	AP58	<b>107274</b>	0.40	59.3	AP81	<b>107276</b>	0.52	82.3	AP112	<b>107025</b>	0.74	113.3
AP36	<b>107270</b>	0.27	37.3	AP59	<b>107912</b>	0.40	60.3	AP82	<b>107918</b>	0.55	83.3	AP120	<b>107026</b>	0.75	121.3
AP37	<b>107129</b>	0.27	38.3	AP60	<b>107012</b>	0.41	61.3	AP83	<b>107344</b>	0.50	84.3	AP128	<b>107027</b>	0.85	129.3
AP38	<b>107005</b>	0.26	39.3	AP61	<b>107333</b>	0.41	62.3	AP84	<b>107919</b>	0.53	85.3	AP136	<b>107028</b>	0.84	137.3
AP39	<b>107323</b>	0.29	40.3	AP62	<b>107013</b>	0.66	63.3	AP85	<b>107021</b>	0.55	86.3	AP144	<b>107029</b>	1.00	145.3
AP40	<b>107271</b>	0.29	41.3	AP63	<b>107387</b>	0.40	64.3	AP86	<b>107920</b>	0.56	87.3	AP158	<b>107254</b>	1.10	159.3
AP41	<b>107419</b>	0.29	42.3	AP64	<b>107014</b>	0.41	65.3	AP87	<b>107921</b>	0.58	88.3	AP173	<b>107255</b>	1.20	174.3
AP42	<b>107006</b>	0.27	43.3	AP65	<b>107122</b>	0.42	66.3	AP88	<b>107345</b>	0.60	89.3	AP180	<b>107256</b>	1.20	181.3
AP43	<b>107249</b>	0.31	44.3	AP66	<b>107015</b>	0.43	67.3	-	-	-	-	-	-	-	-

Δ Datum length in inches

BUSHINGS & HUBS

SHEAVES

SYNCHRONOUS DRIVES

COUPLINGS

PART NUMBER INDEX

## S-L Classic Belts

### B, C, D, E S-L Classic Belts

Belt No.	Part No.	Wt.	Datum Lgth. Δ	Belt No.	Part No.	Wt.	Datum Lgth. Δ	Belt No.	Part No.	Wt.	Datum Lgth. Δ	Belt No.	Part No.	Wt.	Datum Lgth. Δ
<b>B-Belts</b>				<b>B-Belts (Con't.)</b>				<b>B-Belts (Con't.)</b>				<b>C-Belts (Con't.)</b>			
BP25	-	0.28	26.8	BP78	<b>107046</b>	0.74	79.8	BP205	<b>107353</b>	2.00	206.8	CP330	<b>107096</b>	6.00	330.9
BP26	-	0.29	27.8	BP79	<b>107257</b>	0.80	80.8	BP210	<b>107065</b>	2.07	211.8	CP345	<b>107097</b>	6.30	345.9
BP28	<b>107932</b>	0.30	29.8	BP80	<b>107047</b>	0.85	81.8	BP225	<b>107262</b>	2.21	225.3	CP360	<b>107098</b>	7.40	360.9
BP29	<b>107933</b>	0.29	30.8	BP81	<b>107048</b>	0.82	82.8	BP240	<b>107066</b>	2.39	240.3	CP390	<b>107099</b>	7.10	390.9
BP30	-	0.30	31.8	BP82	<b>107258</b>	0.84	83.8	BP255	<b>107263</b>	2.56	255.3	CP420	<b>107269</b>	8.03	420.9
BP31	-	0.32	32.8	BP83	<b>107049</b>	0.79	84.8	BP270	<b>107067</b>	2.75	270.3	<b>D-Belts</b>			
BP32	<b>107389</b>	0.36	33.8	BP84	<b>107411</b>	0.81	85.8	BP285	<b>107264</b>	2.70	285.3	DP120	<b>107100</b>	4.30	123.3
BP33	-	0.34	34.8	BP85	<b>107050</b>	0.87	86.8	BP300	<b>107068</b>	3.40	300.3	DP128	<b>107101</b>	4.60	131.3
BP34	<b>107390</b>	0.34	35.8	BP86	<b>107434</b>	0.84	87.8	BP315	<b>107265</b>	3.20	315.3	DP144	<b>107102</b>	5.10	147.3
BP35	<b>107030</b>	0.39	36.8	BP87	<b>107296</b>	0.87	88.8	<b>C-Belts</b>				DP158	<b>107103</b>	5.58	161.3
BP36	<b>107391</b>	0.39	37.8	BP88	<b>107297</b>	0.87	89.8	CP51	<b>107072</b>	0.99	53.9	DP162	<b>107104</b>	5.65	165.3
BP37	<b>107936</b>	0.41	38.8	BP89	<b>107938</b>	0.90	90.8	CP55	<b>107354</b>	1.07	57.9	DP173	<b>107105</b>	11.00	176.3
BP38	<b>107031</b>	0.44	39.8	BP90	<b>107051</b>	0.94	91.8	CP60	<b>107073</b>	1.15	62.9	DP180	<b>107106</b>	6.35	183.3
BP39	<b>107937</b>	0.43	40.8	BP91	<b>107939</b>	0.87	92.8	CP68	<b>107074</b>	1.30	70.9	DP195	<b>107107</b>	6.90	198.3
BP40	<b>107279</b>	0.44	41.8	BP92	<b>107940</b>	0.90	93.8	CP71	-	1.34	73.9	DP210	<b>107108</b>	7.40	213.3
BP41	<b>107280</b>	0.45	42.8	BP93	<b>107052</b>	0.91	94.8	CP72	<b>107699</b>	1.36	74.9	DP225	<b>107146</b>	7.90	225.8
BP42	<b>107032</b>	0.44	43.8	BP94	<b>107941</b>	0.93	95.8	CP75	<b>107075</b>	1.42	77.9	DP240	<b>107109</b>	8.49	240.8
BP43	<b>107349</b>	0.46	44.8	BP95	<b>107259</b>	0.95	96.8	CP78	<b>107124</b>	1.49	80.9	DP255	<b>107148</b>	8.90	255.8
BP44	<b>107281</b>	0.50	45.8	BP96	<b>107260</b>	0.96	97.8	CP81	<b>107076</b>	1.50	83.9	DP270	<b>107110</b>	8.90	270.8
BP45	<b>107433</b>	0.48	46.8	BP97	<b>107053</b>	0.95	98.8	CP85	<b>107077</b>	1.65	87.9	DP285	<b>107149</b>	9.90	285.8
BP46	<b>107033</b>	0.49	47.8	BP98	-	0.96	99.8	CP90	<b>107078</b>	1.64	92.9	DP300	<b>107111</b>	10.30	300.8
BP47	<b>107408</b>	0.52	48.8	BP99	<b>107128</b>	0.99	100.8	CP96	<b>107079</b>	1.82	98.9	DP315	<b>107112</b>	11.00	315.8
BP48	<b>107034</b>	0.51	49.8	BP100	<b>107069</b>	1.02	101.8	CP97	<b>107356</b>	1.83	99.9	DP330	<b>107113</b>	11.50	330.8
BP49	<b>107350</b>	0.53	50.8	BP101	-	1.06	102.8	CP99	<b>107361</b>	1.86	101.9	DP345	<b>107114</b>	12.00	345.8
BP50	<b>107282</b>	0.54	51.8	BP103	<b>107054</b>	1.07	104.8	CP100	<b>107126</b>	1.88	102.9	DP360	<b>107115</b>	12.76	360.8
BP51	<b>107035</b>	0.51	52.8	BP105	<b>107055</b>	1.07	106.8	CP101	-	1.89	103.9	DP390	<b>107116</b>	13.60	390.8
BP52	<b>107283</b>	0.55	53.8	BP106	-	1.08	107.8	CP105	<b>107080</b>	1.90	107.9	DP420	<b>107117</b>	14.70	420.8
BP53	<b>107036</b>	0.57	54.8	BP108	<b>107298</b>	1.08	109.8	CP108	<b>107363</b>	1.90	110.9	DP450	<b>107373</b>	15.70	450.8
BP54	<b>107284</b>	0.59	55.8	BP111	-	1.15	112.8	CP109	<b>107123</b>	2.02	111.9	DP480	<b>107118</b>	16.80	480.8
BP55	<b>107037</b>	0.59	56.8	BP112	<b>107056</b>	1.14	113.8	CP111	<b>107365</b>	2.10	113.9	DP540	<b>107119</b>	18.90	540.8
BP56	<b>107285</b>	0.59	57.8	BP116	<b>107412</b>	1.18	117.8	CP112	<b>107081</b>	2.13	114.9	DP600	<b>107120</b>	20.90	600.8
BP57	<b>107286</b>	0.59	58.8	BP118	-	1.18	119.8	CP115	<b>107364</b>	2.26	117.9	DP660	<b>107070</b>	23.00	660.8
BP58	<b>107287</b>	0.61	59.8	BP120	<b>107057</b>	1.18	121.8	CP120	<b>107082</b>	2.22	122.9	<b>E-Belts</b> ♦			
BP59	<b>107288</b>	0.59	60.8	BP123	-	1.25	124.8	CP124	<b>107127</b>	2.42	126.9	EP144	-	8.00	148.5
BP60	<b>107038</b>	0.60	61.8	BP124	<b>107299</b>	1.26	125.8	CP128	<b>107083</b>	2.35	130.9	EP180	<b>107131</b>	9.40	184.5
BP61	<b>107289</b>	0.61	62.8	BP126	-	1.25	127.8	CP136	<b>107084</b>	2.56	138.9	EP195	<b>107132</b>	10.10	199.5
BP62	<b>107039</b>	0.62	63.8	BP128	<b>107058</b>	1.28	129.8	CP144	<b>107085</b>	2.64	146.9	EP210	<b>107133</b>	10.90	214.5
BP63	<b>107290</b>	0.63	64.8	BP130	-	1.35	131.8	CP148	-	2.80	150.9	EP225	-	12.10	229.5
BP64	<b>107040</b>	0.64	65.8	BP133	<b>107261</b>	1.38	134.8	CP150	<b>107957</b>	2.82	152.9	EP240	<b>107135</b>	12.20	241.5
BP65	<b>107041</b>	0.65	66.8	BP136	<b>107059</b>	1.34	137.8	CP158	<b>107086</b>	3.01	160.9	EP270	-	14.50	271.5
BP66	<b>107042</b>	0.66	67.8	BP140	-	1.43	141.8	CP162	<b>107087</b>	3.09	164.9	EP300	<b>107137</b>	15.30	301.0
BP67	<b>107291</b>	0.69	68.8	BP144	<b>107060</b>	1.45	145.8	CP173	<b>107088</b>	3.39	175.9	EP330	<b>107138</b>	16.80	331.0
BP68	<b>107043</b>	0.67	69.8	BP148	<b>107351</b>	1.39	149.8	CP180	<b>107089</b>	3.47	182.9	EP360	<b>107139</b>	18.30	361.0
BP69	<b>107409</b>	0.70	70.8	BP150	<b>107000</b>	1.49	151.8	CP195	<b>107090</b>	3.65	197.9	EP390	<b>107140</b>	19.80	391.0
BP70	<b>107275</b>	0.72	71.8	BP155	-	1.54	155.8	CP210	<b>107091</b>	8.03	212.9	EP420	<b>107141</b>	21.40	421.0
BP71	<b>107044</b>	0.69	72.8	BP158	<b>107061</b>	1.55	159.8	CP225	<b>107266</b>	4.16	225.9	EP480	<b>107142</b>	27.00	481.0
BP72	<b>107292</b>	0.73	73.8	BP162	<b>107125</b>	1.58	163.8	CP240	<b>107092</b>	4.31	240.9	EP540	<b>107143</b>	30.00	541.0
BP73	<b>107293</b>	0.73	74.8	BP173	<b>107062</b>	1.69	174.8	CP255	<b>107267</b>	4.70	255.9	EP600	<b>107144</b>	34.00	601.0
BP74	<b>107294</b>	0.73	75.8	BP180	<b>107063</b>	1.72	181.8	CP270	<b>107093</b>	5.03	270.9	EP660	<b>107174</b>	36.00	661.0
BP75	<b>107045</b>	0.78	76.8	BP190	<b>107352</b>	1.85	191.8	CP285	<b>107268</b>	5.20	285.9	Δ Datum length in inches			
BP76	<b>107410</b>	0.76	77.8	BP191	-	1.95	192.8	CP300	<b>107094</b>	5.50	300.9				
BP77	<b>107295</b>	0.76	78.8	BP195	<b>107064</b>	2.00	196.8	CP315	<b>107095</b>	5.80	315.9				

♦ E-Belts: Recommended for replacement only - not for new drives (Use 8V belts.)

**S-L Classic Banded Belts**  
**B Polyband Classic Belts (2, 3, 4 and 5 Bands)**

Datum Lgth. Δ	Belt No.	Wgt. per Band	2-Band P/N	3-Band P/N	4-Band P/N	5-Band P/N
36.8	RBP35 Δ	0.50	–	–	–	–
39.8	RBP38 Δ	0.55	–	–	–	–
41.8	RBP40 Δ	0.55	–	–	–	–
42.8	RBP41 Δ	0.55	–	–	–	–
43.8	RBP42 Δ	0.60	107308	107309	107310	107311
44.8	RBP43 Δ	0.60	107421	107451	107452	107453
45.8	RBP44 Δ	0.60	–	–	–	–
47.8	RBP46 Δ	0.65	107312	107313	107314	107315
49.8	RBP48 Δ	0.65	107316	107317	107318	107319
50.8	RBP49 Δ	0.70	–	–	–	–
51.8	RBP50 Δ	0.70	107454	107455	107464	107465
52.8	RBP51 Δ	0.70	107325	107326	107327	107328
53.8	RBP52 Δ	0.70	107466	107467	107468	107481
54.8	RBP53 Δ	0.75	107334	107335	107336	107337
55.8	RBP54 Δ	0.75	107482	107483	107484	107485
56.8	RBP55 Δ	0.75	107338	107339	107340	107341
57.8	RBP56 Δ	0.75	107494	107495	107496	107497
58.8	RBP57 Δ	0.80	107498	107503	107504	107505
59.8	RBP58 Δ	0.80	107506	107507	107520	107521
60.8	RBP59 Δ	0.80	107522	107523	107524	107541
61.8	RBP60 Δ	0.85	107357	107358	107359	107360
62.8	RBP61 Δ	0.85	107542	107543	107544	107545
63.8	RBP62 Δ	0.85	107366	107367	107368	107369
64.8	RBP63 Δ	0.85	107550	107551	107552	107553
65.8	RBP64 Δ	0.90	107375	107376	107377	107378
66.8	RBP65 Δ	0.90	107379	107380	107381	107382
67.8	RBP66 Δ	0.90	107383	107384	107385	107386
68.8	RBP67 Δ	0.90	107554	107563	107564	107565
69.8	RBP68 Δ	0.90	107392	107393	107394	107395
71.8	RBP70 Δ	0.95	107396	107397	107398	107399
72.8	RBP71 Δ	0.95	107400	107401	107402	107403
73.8	RBP72 Δ	1.00	107566	107567	107568	107569
74.8	RBP73 Δ	1.00	107660	107651	107652	107653
75.8	RBP74 Δ	1.00	107654	107659	107660	107661
75.8	RBP75 Δ	1.00	107404	107405	107406	107407
78.8	RBP77 Δ	1.05	107662	107663	107668	107669
79.8	RBP78 Δ	1.05	107413	107414	107415	107416
80.8	RBP79 Δ	1.10	107670	107671	107672	107677
81.8	RBP80 Δ	1.10	107422	107423	107424	107425
82.8	RBP81 Δ	1.10	107426	107427	107428	107429
83.8	RBP82 Δ	1.10	107678	107894	107895	107896
84.8	RBP83 Δ	1.15	107435	107436	107437	107438
86.8	RBP85 Δ	1.15	107439	107440	107441	107442
88.8	RBP87 Δ	1.20	107897	107898	107899	107942
89.8	RBP88 Δ	1.20	107943	107944	107948	107949
91.8	RBP90 Δ	1.20	107443	107444	107445	107446
94.8	RBP93 Δ	1.25	107447	107448	107449	107450
96.8	RBP95 Δ	1.30	107950	107951	107952	107953
97.8	RBP96 Δ	1.30	107456	107457	107458	107459
98.8	RBP97 Δ	1.30	107460	107461	107462	107463

Δ Datum length in inches

**S-L Classic Banded Belts  
B Polyband Classic Belts (2, 3, 4 and 5 Bands) (Cont'd)**

Datum Lgth. Δ	Belt No.	Wgt. per Band	2-Band P/N	3-Band P/N	4-Band P/N	5-Band P/N
100.8	RBP99 Δ	1.35	107954	107955	107956	107979
101.8	RBP100 Δ	1.35	107469	107470	107471	107472
104.8	RBP103 Δ	1.40	107473	107474	107475	107476
106.8	RBP105 Δ	1.45	107477	107478	107479	107480
109.8	RBP108 Δ	1.45	107980	107981	107982	107983
113.8	RBP112 Δ	1.50	107486	107487	107488	107489
121.8	RBP120 Δ	1.65	107490	107491	107492	107493
125.8	RBP124 Δ	1.70	107984	107985	107986	107987
129.8	RBP128 Δ	1.75	107499	107500	107501	107502
134.8	RBP133 Δ	1.80	107988	107989	107990	107991
137.8	RBP136 Δ	1.85	107508	107509	107510	107511
145.8	RBP144 Δ	1.95	107512	107513	107514	107515
149.8	RBP148 Δ	2.00	107992	107993	107994	107995
159.8	RBP158 Δ	2.15	107516	107517	107518	107519
163.8	RBP162 Δ	2.20	107996	107997	107998	108765
174.8	RBP173 Δ	2.35	107525	107526	107527	107528
181.8	RBP180 Δ	2.45	107529	107530	107531	107532
196.8	RBP195 Δ	2.65	107533	107534	107535	107536
211.8	RBP210 Δ	2.85	107537	107538	107539	107540
225.3	RBP225 Δ	3.00	108766	108767	108768	108769
240.3	RBP240 Δ	3.20	107546	107547	107548	107549
255.3	RBP255 Δ	3.40	108770	108771	108772	108773
270.3	RBP270 Δ	3.60	107555	107556	107557	107558
285.3	RBP285 Δ	3.80	-	-	-	-
300.3	RBP300 Δ	4.00	107559	107560	107561	107562
315.3	RBP315 Δ	4.20	108774	108775	108776	108777

BUSHINGS & HUBS

SHEAVES

SYNCHRONOUS DRIVES

COUPLINGS

PART NUMBER INDEX

## S-L Classic Banded Belts C Polyband Classic Belts (2, 3, 4 and 5 Bands)

Datum Lgth. Δ	Belt No.	Wgt. per Band	2-Band P/N	3-Band P/N	4-Band P/N	5-Band P/N
53.9	RCP51 Δ	1.20	–	–	–	–
57.9	RCP55 Δ	1.30	–	–	–	–
62.9	RCP60 Δ	1.40	107574	107575	107576	107577
70.9	RCP68 Δ	1.55	107578	107579	107580	107581
73.9	RCP71 Δ	1.65	–	–	–	–
77.9	RCP75 Δ	1.70	107582	107583	107584	107585
83.9	RCP81 Δ	1.85	107586	107587	107588	107589
87.9	RCP85 Δ	1.95	107590	107591	107592	107593
92.9	RCP90 Δ	2.05	107594	107595	107596	107597
98.9	RCP96 Δ	2.20	107598	107599	107600	107601
99.9	RCP97 Δ	2.20	–	–	–	–
101.9	RCP99 Δ	2.25	108778	108779	108780	108781
102.9	RCP100 Δ	2.30	–	–	–	–
107.9	RCP105 Δ	2.40	107602	107603	107604	107605
110.9	RCP108 Δ	2.45	108782	108783	108784	108785
111.9	RCP109 Δ	2.50	108786	108787	108788	108789
114.9	RCP112 Δ	2.55	107606	107607	107608	107609
122.9	RCP120 Δ	2.70	107610	107611	107612	107613
126.9	RCP124 Δ	2.80	108790	108791	108792	108793
130.9	RCP128 Δ	2.80	107614	107615	107616	107617
138.9	RCP136 Δ	3.05	107618	107619	107620	107621
146.9	RCP144 Δ	3.25	107622	107623	107624	107625
160.9	RCP158 Δ	3.55	107626	107627	107628	107629
164.9	RCP162 Δ	3.65	107630	107631	107632	107633
175.9	RCP173 Δ	3.90	107634	107635	107636	107637
182.9	RCP180 Δ	4.05	107638	107639	107640	107641
197.9	RCP195 Δ	4.40	107642	107643	107644	107645
212.9	RCP210 Δ	4.70	107646	107647	107648	107649
225.9	RCP225 Δ	5.00	107679	107680	107681	107682
240.9	RCP240 Δ	5.35	107655	107656	107657	107658
255.9	RCP255 Δ	5.65	107684	107685	107686	107687
270.9	RCP270 Δ	6.00	107664	107665	107666	107667
285.9	RCP285 Δ	6.35	107689	107690	107691	107692
300.9	RCP300 Δ	6.65	107673	107674	107675	107676
315.9	RCP315 Δ	7.00	108794	108795	108796	108797
330.9	RCP330 Δ	7.35	108798	108799	108876	108877
345.9	RCP345 Δ	7.65	108878	108879	108880	108881
360.9	RCP360 Δ	8.00	108882	108883	108884	108885
390.9	RCP390 Δ	8.65	108886	108887	108888	108889
420.9	RCP420 Δ	9.35	108890	108891	108892	108893

Δ Datum length in inches

**S-L Classic Banded Belts  
D Polyband Classic Belts (2, 3, 4 and 5 Bands)**

Datum Lgth. Δ	Belt No.	Wgt. per Band	2-Band P/N	3-Band P/N	4-Band P/N	5-Band P/N
123.3	RDP120 Δ	5.05	107700	107701	107702	107703
131.3	RDP128 Δ	5.40	–	–	–	–
147.3	RDP144 Δ	6.05	107708	107709	107710	107711
161.3	RDP158 Δ	6.65	107712	107713	107714	107715
165.3	RDP162 Δ	6.80	107716	107717	107718	107719
176.3	RDP173 Δ	7.25	107720	107721	107722	107723
183.3	RDP180 Δ	7.50	107724	107725	107726	107727
198.3	RDP195 Δ	8.15	107728	107729	107730	107731
213.3	RDP210 Δ	8.75	107732	107733	107734	107735
225.8	RDP225 Δ	9.30	107736	107737	107738	107739
240.8	RDP240 Δ	9.90	107741	107742	107743	107744
255.8	RDP255 Δ	10.50	107745	107746	107747	107748
270.8	RDP270 Δ	11.15	107750	107751	107752	107753
285.8	RDP285 Δ	11.75	107754	107755	107756	107757
300.8	RDP300 Δ	12.35	107759	107760	107761	107762
315.8	RDP315 Δ	13.00	107777	107778	107779	107780
330.8	RDP330 Δ	13.60	107781	107782	107783	107784
345.8	RDP345 Δ	14.20	107695	107696	107697	107698
360.8	RDP360 Δ	14.85	107960	107961	107962	107963
390.8	RDP390 Δ	16.10	107764	107765	107766	107767
420.8	RDP420 Δ	17.30	107769	107770	107771	107772
450.8	RDP450 Δ	18.55	107964	107965	107966	107967
480.8	RDP480 Δ	19.80	107773	107774	107775	107776
540.8	RDP540 Δ	22.25	–	107968	107969	107970
600.8	RDP600 Δ	24.70	107971	107972	107973	107974
660.8	RDP660 Δ	27.15	107975	107976	107977	107978

Δ Datum length in inches

BUSHINGS & HUBS

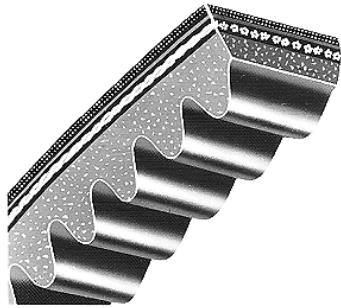
SHEAVES

SYNCHRONOUS DRIVES

COUPLINGS

PART NUMBER INDEX

**Classic Cog Belts**



Deliver more horsepower and last longer than conventional belts

- Fully notched cogs for maximum flexibility
- High coefficient, energy-efficient rubber edge
- Proven energy-saving design
- Outlast conventional belts
- Fewer belts required - drive weight is reduced
- Matched to MPTA/RMA standards - No additional matching or match codes required

Belt No.	Part No.	Wt.	Datum Lgth.	Belt No.	Part No.	Wt.	Datum Lgth.	Belt No.	Part No.	Wt.	Datum Lgth.	Belt No.	Part No.	Wt.	Datum Lgth.
<b>AX Belts</b>				<b>AX Belts (Con't.)</b>				<b>BX-Belts (Con't.)</b>				<b>BX Belts (Con't.)</b>			
AX25	<b>108867</b>	.17	26.3	AX105	<b>108670</b>	.68	106.3	BX78	<b>108702</b>	.86	79.8	BX270	<b>108735</b>	2.65	270.3
AX26	<b>108640</b>	.18	27.3	AX110	<b>108671</b>	.71	111.3	BX79	<b>108703</b>	.87	80.8	BX300	<b>108637</b>	3.0	300.3
AX27	<b>108868</b>	.19	28.3	AX112	<b>108672</b>	.73	113.3	BX80	<b>108704</b>	.88	81.8	<b>CX-Belts</b>			
AX31	<b>108641</b>	.21	32.3	AX120	<b>108673</b>	.74	121.3	BX81	<b>108705</b>	.89	82.8	CX51	<b>108736</b>	1.07	53.9
AX32	<b>108869</b>	.21	33.3	AX128	<b>108674</b>	.78	129.3	BX82	<b>108706</b>	.90	83.8	CX60	<b>108737</b>	1.24	62.9
AX33	<b>108642</b>	.22	34.3	AX136	<b>108675</b>	.98	137.3	BX83	<b>108707</b>	.91	84.8	CX68	<b>108738</b>	1.39	70.9
AX34	<b>108643</b>	.23	35.3	<b>BX-Belts</b>				BX85	<b>108708</b>	.93	86.8	CX75	<b>108739</b>	1.53	77.9
AX35	<b>108644</b>	.24	36.3	BX35	<b>108676</b>	.40	36.8	BX90	<b>108709</b>	.98	91.8	CX81	<b>108740</b>	1.64	83.9
AX36	<b>108645</b>	.24	37.3	BX38	<b>108677</b>	.43	39.8	BX93	<b>108710</b>	1.01	94.8	CX85	<b>108741</b>	1.72	87.9
AX37	<b>108646</b>	.25	38.3	BX42	<b>108678</b>	.48	43.8	BX95	<b>108711</b>	1.03	96.8	CX90	<b>108742</b>	1.81	92.9
AX38	<b>108647</b>	.26	39.3	BX46	<b>108679</b>	.52	47.8	BX96	<b>108712</b>	1.05	97.8	CX96	<b>108743</b>	1.93	98.9
AX42	<b>108648</b>	.28	43.3	BX48	<b>108680</b>	.54	49.8	BX97	<b>108713</b>	1.06	98.8	CX105	<b>108744</b>	2.10	107.9
AX43	<b>108649</b>	.29	44.3	BX50	<b>108681</b>	.56	51.8	BX99	<b>108714</b>	1.08	100.8	CX109	<b>108745</b>	2.18	111.9
AX46	<b>108650</b>	.31	47.3	BX51	<b>108682</b>	.57	52.8	BX100	<b>108715</b>	1.09	101.8	CX112	<b>108746</b>	2.24	114.9
AX48	<b>108651</b>	.32	49.3	BX52	<b>108683</b>	.58	53.8	BX103	<b>108716</b>	1.12	104.8	CX115	<b>108747</b>	2.29	117.9
AX51	<b>108652</b>	.34	52.3	BX53	<b>108684</b>	.59	54.8	BX105	<b>108717</b>	1.14	106.8	CX120	<b>108748</b>	2.39	122.9
AX53	<b>108653</b>	.35	54.3	BX54	<b>108685</b>	.60	55.8	BX112	<b>108718</b>	1.21	113.8	CX128	<b>108749</b>	2.42	130.9
AX54	<b>108654</b>	.36	55.3	BX55	<b>108686</b>	.61	56.8	BX113	<b>108719</b>	1.22	114.8	CX136	<b>108750</b>	2.49	138.9
AX55	<b>108655</b>	.36	56.3	BX56	<b>108687</b>	.62	57.8	BX116	<b>108720</b>	1.26	117.8	CX144	<b>108751</b>	2.63	146.9
AX56	<b>108656</b>	.37	57.3	BX59	<b>108688</b>	.66	60.8	BX120	<b>108721</b>	1.30	121.8	CX150	<b>108752</b>	2.74	152.9
AX60	<b>108657</b>	.40	61.3	BX60	<b>108689</b>	.67	61.8	BX124	<b>108722</b>	1.26	125.8	CX158	<b>108753</b>	2.88	160.9
AX62	<b>108658</b>	.41	63.3	BX61	<b>108690</b>	.68	62.8	BX128	<b>108723</b>	1.30	129.8	CX162	<b>108754</b>	2.95	164.9
AX64	<b>108659</b>	.42	65.3	BX62	<b>108691</b>	.69	63.8	BX133	<b>108724</b>	1.34	134.8	CX173	<b>108755</b>	3.15	175.9
AX66	<b>108660</b>	.43	67.3	BX63	<b>108692</b>	.70	64.8	BX136	<b>108725</b>	1.37	137.8	CX180	<b>108756</b>	3.27	182.9
AX68	<b>108661</b>	.45	69.3	BX64	<b>108693</b>	.71	65.8	BX144	<b>108726</b>	1.45	145.8	CX195	<b>108757</b>	3.54	197.9
AX70	<b>108662</b>	.46	71.3	BX65	<b>108694</b>	.72	66.8	BX150	<b>108727</b>	1.51	151.8	CX210	<b>108758</b>	3.77	212.9
AX71	<b>108663</b>	.47	72.3	BX66	<b>108695</b>	.73	67.8	BX158	<b>108728</b>	1.59	159.8	CX225	<b>108896</b>	4.0	227.9
AX75	<b>108664</b>	.49	76.3	BX67	<b>108696</b>	.74	68.8	BX162	<b>108729</b>	1.63	163.8	CX240	<b>108759</b>	4.30	240.9
AX78	<b>108665</b>	.51	79.3	BX68	<b>108697</b>	.75	69.8	BX173	<b>108730</b>	1.74	174.8	CX270	<b>108760</b>	4.83	270.9
AX80	<b>108666</b>	.52	81.3	BX70	<b>108698</b>	.77	71.8	BX180	<b>108731</b>	1.81	181.8	CX285	<b>108638</b>	4.7	285.9
AX85	<b>108667</b>	.55	86.3	BX71	<b>108699</b>	.78	72.8	BX195	<b>108732</b>	1.96	196.8	CX300	<b>108639</b>	4.9	300.9
AX90	<b>108668</b>	.59	91.3	BX75	<b>108700</b>	.82	76.8	BX210	<b>108733</b>	2.09	211.8	CX330	<b>108762</b>	5.3	330.9
AX96	<b>108669</b>	.62	97.3	BX77	<b>108701</b>	.85	78.8	BX240	<b>108734</b>	2.36	240.3	CX360	<b>108764</b>	5.8	360.9

BUSHINGS & HUBS

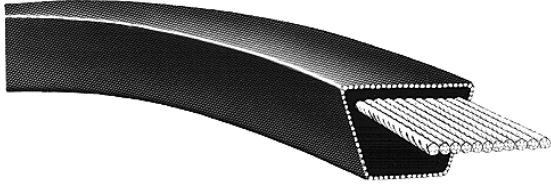
SHEAVES

SYNCHRONOUS DRIVES

COUPLINGS

PART NUMBER INDEX

**Double-V (Hex) Belts**



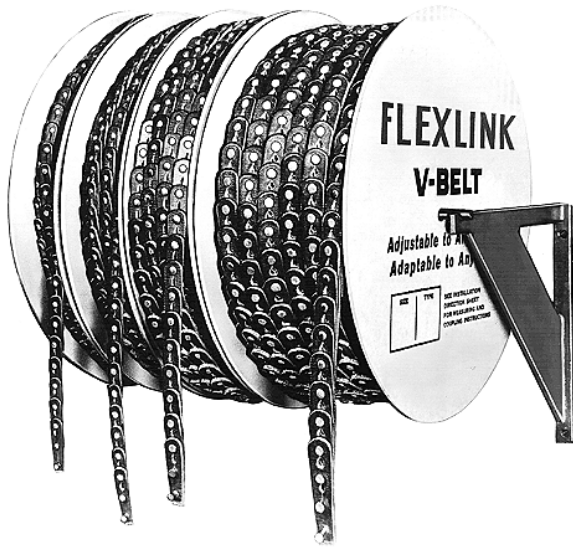
- For serpentine drives
- Static conducting
- Oil resistant

**AA, BB, CC, DOUBLE-V (HEX) BELTS**

Belt No.	Part No.	Wt.	Datum Lgth.	Belt No.	Part No.	Wt.	Datum Lgth.	Belt No.	Part No.	Wt.	Datum Lgth.	Belt No.	Part No.	Wt.	Datum Lgth.
<b>AA Belts</b>				<b>BB Belts (Con't.)</b>				<b>BB Belts (Con't.)</b>				<b>CC Belts</b>			
AA51	<b>109125</b>	0.50	53.1	BB73	<b>109209</b>	3.30	75.9	BB140	<b>109223</b>	2.00	142.9	CC75	<b>109235</b>	1.72	79.2
AA55	<b>109087</b>	0.60	57.1	BB74	<b>109210</b>	1.20	76.9	BB144	<b>109091</b>	2.00	146.9	CC81	<b>109153</b>	1.80	85.2
AA60	<b>109126</b>	0.50	62.1	BB75	<b>109138</b>	1.00	77.9	BB155	<b>109202</b>	2.00	157.9	CC85	<b>109155</b>	1.90	89.5
AA62	–	0.50	64.1	BB76	–	1.00	78.9	BB157	–	2.10	159.9	CC90	<b>109155</b>	2.00	94.2
AA64	<b>109120</b>	0.70	66.1	BB77	–	1.10	79.9	BB158	<b>109092</b>	2.10	160.9	CC96	<b>109156</b>	2.20	100.2
AA66	<b>109121</b>	0.70	68.1	BB81	<b>109139</b>	1.10	83.9	BB160	–	2.20	162.9	CC105	<b>109157</b>	2.40	109.2
AA68	<b>109127</b>	0.50	70.1	BB83	<b>109211</b>	1.10	85.9	BB162	–	2.20	164.9	CC112	<b>109158</b>	2.50	116.2
AA70	<b>109122</b>	0.70	72.1	BB85	<b>109140</b>	1.20	87.9	BB168	–	2.30	170.9	CC119	–	2.60	123.2
AA75	<b>109128</b>	0.60	77.1	BB89	–	1.20	91.9	BB169	–	2.30	171.9	CC120	<b>109159</b>	2.70	124.2
AA78	<b>109123</b>	0.90	80.1	BB90	<b>109141</b>	1.20	92.9	BB170	–	2.30	172.9	CC128	<b>109160</b>	2.90	132.2
AA80	<b>109129</b>	0.60	82.1	BB92	<b>109197</b>	1.20	94.9	BB173	<b>109093</b>	2.30	175.9	CC136	<b>109236</b>	3.26	140.2
AA85	<b>109130</b>	0.71	87.1	BB93	<b>109198</b>	1.20	95.9	BB180	<b>109094</b>	2.40	182.9	CC144	<b>109161</b>	3.20	148.2
AA90	<b>109131</b>	0.80	92.1	BB94	<b>109199</b>	1.20	96.9	BB182	–	2.40	184.9	CC148	<b>109237</b>	3.54	152.2
AA92	–	0.80	94.1	BB96	–	1.30	98.9	BB190	–	2.60	192.9	CC158	<b>109162</b>	3.50	162.2
AA96	<b>109132</b>	0.80	98.1	BB97	<b>109142</b>	1.30	99.9	BB195	<b>109148</b>	2.60	197.9	CC162	<b>109163</b>	3.80	166.2
AA105	<b>109133</b>	0.90	107.1	BB103	<b>109213</b>	1.66	105.9	BB210	<b>109149</b>	2.60	212.9	CC173	<b>109164</b>	3.80	177.2
AA112	<b>109134</b>	0.80	114.1	BB105	<b>109143</b>	1.40	107.9	BB225	–	3.00	226.4	CC180	<b>109165</b>	4.00	184.2
AA120	<b>109135</b>	0.90	122.1	BB107	<b>109214</b>	1.71	109.9	BB226	<b>109203</b>	3.00	227.4	CC195	<b>109166</b>	4.30	199.2
AA128	<b>109136</b>	0.90	130.1	BB108	<b>109215</b>	1.74	110.9	BB228	<b>109204</b>	3.00	229.4	CC210	<b>109167</b>	4.70	214.2
<b>BB Belts</b>				BB111	<b>109200</b>	1.40	113.9	BB230	<b>109205</b>	3.10	231.4	CC225	–	5.20	229.2
BB42	<b>109192</b>	0.60	44.9	BB112	<b>109144</b>	1.60	114.9	BB240	<b>109150</b>	3.20	241.4	CC240	<b>109168</b>	5.20	242.2
BB43	<b>109193</b>	0.60	45.9	BB116	<b>109216</b>	1.60	118.9	BB250	–	3.20	251.4	CC255	–	5.90	259.2
BB45	<b>109206</b>	0.60	47.9	BB117	–	1.60	119.9	BB267	–	3.20	268.4	CC270	<b>109169</b>	5.90	272.2
BB51	<b>109088</b>	0.80	53.9	BB118	<b>109218</b>	1.90	120.9	BB270	<b>109151</b>	3.60	271.4	CC300	<b>109170</b>	6.50	302.2
BB53	–	0.80	55.9	BB120	<b>109145</b>	1.60	122.9	BB273	–	3.60	274.4	CC330	<b>109171</b>	7.20	332.2
BB54	–	0.80	56.9	BB122	–	1.70	124.9	BB277	–	3.60	278.4	CC360	<b>109172</b>	7.80	362.2
BB55	<b>109089</b>	0.80	57.9	BB123	<b>109219</b>	1.70	125.9	BB278	–	3.70	279.4	CC390	<b>109189</b>	8.50	392.2
BB60	<b>109090</b>	0.90	62.9	BB124	<b>109220</b>	1.70	126.9	BB285	–	3.90	286.4	CC420	<b>109188</b>	9.10	422.2
BB64	–	0.90	66.9	BB128	<b>109146</b>	1.80	130.9	BB300	–	4.00	301.4				
BB68	<b>109137</b>	0.90	70.9	BB129	<b>109221</b>	1.80	131.9	BB360	–	4.50	361.4				
BB71	<b>109196</b>	1.00	73.9	BB130	<b>109222</b>	1.80	132.9								
BB72	<b>109208</b>	1.17	74.9	BB136	<b>109201</b>	1.80	138.9								



## Flexlink Belting



Belt Selection	Belt Width	Min. Recommended Sheave Pitch Dia.	Part No. Per Foot*	Wt. Per Foot
O/3L	3/8	2	109076	.14
A/4L	1/2	2	109084	.15
B/5L	21/32	4	109085	.19
C	7/8	6	109086	.35

\* 100 ft. reel available

### Flexlink Belt Application Guidelines

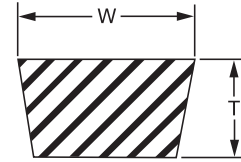
1. To obtain link belt length, multiply desired pitch length by .916. This provides correct belt length for initial run-in and seating of belt.
2. For matched sets of link belts, use the same number of links on each belt.
3. Do not use link belting above 5000 FPM belt speed.  
Belt speed =  $.262 \times \text{RPM} \times \text{pitch diameter of sheave}$ .
4. **Note:** Link belting is not static conducting.  
**Important** - For matched sets of link belts use same number of links on each belt.

- Fast installation, installs in a snap
- Adjustable to any length, adaptable to any drive
- Reduces vibration
- Long-lasting construction
- Reduces inventory - one reel can replace many sizes of standard belting
- Oil proof construction
- Order by the foot or by the reel.

FHP Belts



- Oil resistant
- Static conducting
- For fractional HP single drive belts
- Belt number indicates pitch length (eg 4L270 = 27 in.)



Belt Sect.	W	T
3L	3/8	7/32
4L	1/2	5/16
5L	21/32	3/8

3L, 4L, 5L FHP BELTS

Belt No.	Part No.	Wt.	Belt No.	Part No.	Wt.	Belt No.	Part No.	Wt.	Belt No.	Part No.	Wt.
3L Belts			3L Belts (Con't.)			4L Belts (Con't.)			5L Belts (Con't.)		
3L150	108150	.05	3L620	108604	.19	4L590	108043	.32	5L400	108096	.38
3L160	108151	.05	3L630	108805	.19	4L600	108044	.33	5L410	108097	.38
3L170	108152	.05	4L Belts			4L610	108045	.33	5L420	108098	.40
3L180	108153	.06	4L170	108614	.09	4L620	108046	.34	5L430	108099	.41
3L190	108155	.06	4L180	108001	.09	4L630	108047	.35	5L440	108100	.42
3L200	108155	.06	4L188	108836	.09	4L640	108048	.35	5L450	108101	.43
3L210	108156	.06	4L190	108002	.10	4L650	108049	.36	5L460	108102	.44
3L220	108157	.07	4L200	108003	.10	4L660	108050	.36	5L470	108103	.45
3L230	108158	.07	4L210	108004	.11	4L670	108051	.37	5L480	108104	.46
3L240	108159	.07	4L220	108005	.11	4L680	108052	.37	5L490	108105	.47
3L250	108160	.08	4L230	108006	.12	4L690	108053	.38	5L500	108106	.48
3L260	108161	.08	4L240	108007	.12	4L700	108054	.38	5L510	108107	.49
3L270	108162	.08	4L250	108008	.13	4L710	108055	.39	5L520	108108	.50
3L280	108163	.09	4L260	108009	.13	4L720	108056	.40	5L530	108109	.51
3L290	108164	.09	4L270	108010	.14	4L730	108057	.40	5L540	108110	.52
3L300	108165	.09	4L275	108841	.14	4L740	108058	.41	5L550	108111	.53
3L310	108166	.10	4L280	108011	.15	4L750	108059	.41	5L560	108112	.54
3L320	108167	.10	4L290	108012	.16	4L760	108060	.42	5L570	108113	.55
3L330	108168	.10	4L300	108013	.16	4L770	108061	.42	5L575	108873	.55
3L340	108169	.10	4L310	108014	.17	4L780	108062	.43	5L580	108114	.56
3L350	108170	.11	4L320	108015	.18	4L790	108063	.43	5L590	108115	.57
3L360	108171	.11	4L330	108016	.18	4L800	108064	.44	5L600	108116	.58
3L370	108172	.11	4L340	108018	.19	4L810	108615	.44	5L610	108117	.59
3L380	108173	.12	4L350	108019	.19	4L820	108065	.45	5L620	108118	.60
3L390	108174	.12	4L360	108020	.20	4L830	108616	.46	5L630	108119	.61
3L400	108175	.12	4L370	108021	.20	4L840	108066	.46	5L640	108120	.61
3L410	108176	.13	4L380	108022	.21	4L850	108617	.47	5L650	108121	.62
3L420	108177	.13	4L390	108023	.21	5L Belts			5L660	108122	.63
3L430	108178	.13	4L400	108024	.22	5L230	108625	.21	5L670	108123	.64
3L440	108179	.14	4L410	108025	.23	5L240	108080	.20	5L680	108124	.65
3L450	108180	.14	4L420	108026	.23	5L250	108081	.20	5L690	108125	.66
3L460	108181	.14	4L430	108027	.24	5L260	108082	.20	5L700	108126	.67
3L470	108182	.15	4L440	108028	.24	5L265	108070	.21	5L710	108127	.68
3L480	108183	.15	4L450	108029	.25	5L270	108083	.21	5L720	108128	.69
3L490	108184	.15	4L460	108030	.25	5L280	108084	.22	5L730	108129	.70
3L500	108185	.15	4L470	108031	.26	5L290	108085	.23	5L740	108130	.71
3L510	108186	.16	4L480	108032	.26	5L300	108086	.24	5L750	108131	.72
3L520	108187	.16	4L490	108033	.27	5L310	108087	.24	5L760	108132	.73
3L530	108188	.16	4L500	108034	.27	5L320	108088	.25	5L770	108133	.74
3L540	108189	.17	4L510	108035	.28	5L330	108089	.26	5L780	108134	.75
3L550	108190	.17	4L520	108036	.29	5L340	108090	.27	5L790	108826	.76
3L560	108191	.17	4L530	108037	.29	5L350	108091	.28	5L800	108135	.77
3L570	108192	.18	4L540	108038	.30	5L360	108092	.28	5L810	108827	.78
3L580	108193	.18	4L550	108039	.30	5L365	108872	.29	5L820	108136	.79
3L590	108194	.18	4L560	108040	.31	5L370	108093	.29	5L830	108328	.80
3L600	108195	.19	4L570	108041	.31	5L380	108094	.37	5L840	108137	.81
3L610	108196	.19	4L580	108042	.32	5L390	108095	.37	5L850	108629	.82

BUSHINGS & HUBS

SHEAVES

SYNCHRONOUS DRIVES

COUPLINGS

PART NUMBER INDEX

## V-Drive Accessories

### V-Belt Tension Tester

This convenient tool facilitates easy checking of belt tension on drives having two or more belts. Scales are provided for reading both the required force and the distance of belt deflection which are used in properly tensioning belts. Force range is 0 - 35 lbs.



**Part No. 109082**  
Wt. - 0.5 lb.

### Precision Laser Alignment Device

Identifies common types of pulley misalignment.



**Part No. 109993**  
Wt. - 30 lb.

### Double Barrel Tension Tester

Maximum deflection force: 66 lbs. For use with all multiple V-belts and large synchronous belts.



**Part No. 109991**  
Wt. - 0.5 lb.

**NOTE:** Selection program VIAVISA available at [www.ptwizard.com](http://www.ptwizard.com)

### Five Barrel Tension Tester

Maximum deflection force: 165 lbs. For use with multiple V-belts and large synchronous belts.

**Part No. 109992**  
Wt. - 1 lb.



### Sonic Tension Meter - Model 507C



The Sonic Tension Meter is an electronic device that measures the natural frequency of a free stationary belt span and instantly computes the static belt tensions based upon the belt span length, belt width, and belt type. The Sonic Tension Meter can accurately measure belt tensions for both synchronous and V-belts. Other features include:

- Output readings can be switched between pounds, kilograms, newtons and hertz
- Auto gain control automatically adjusts meter sensitivity
- Auto frequency range filters for background noise
- Frequency range from 10 - 5,000 Hz

Sonic Tension Meter - model 507C (comes with meter)

**Part No. 109994**

Wt. - 1.0 lb.

★ Flexible sensor

**Part No. 109995**

Wt. - 0.2 lb.

Cord sensor

**Part No. 109996**

Wt. - 0.2 lb.

★ Inductive sensor (magnets included)

**Part No. 109997**

Wt. - 0.2 lb.

★ Optional accessories

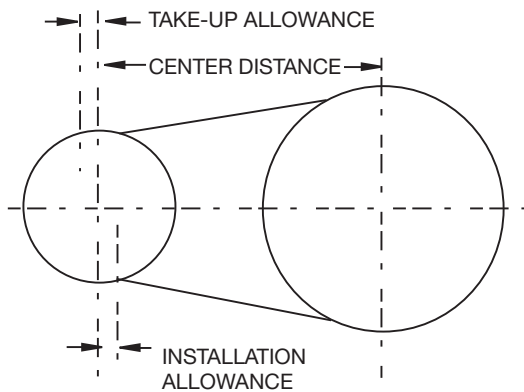
## Installing/Tensioning V-Drives

### Installing a Drive

**Check Condition of Sheaves** – Before a new set of V-belts are installed, check the condition of the sheaves. Dirty or rusty sheaves impair the drive’s efficiency and abrade the belts, which result in premature failure.

Worn sheaves shorten belt life as much as 50%. If the grooves are worn to where the belt bottoms, slippage may result and burn the belts. If the sidewalls are “dished out,” the bottom shoulder ruins the belts prematurely by wearing off the bottom corners.

**Check Sheave Alignment** – Sheave adjustment should be checked by placing a straight edge or tight cord across the sheave faces so that it touches all four points of contact. Ordinarily, a misalignment of more than one-half of one degree (one-eighth inch in one foot) will adversely affect belt life. Improper sheave alignment produces uneven wear on one side of the belt, causes the belt to roll over in the sheaves or throws all the load on one side of the belt, stretching or breaking the cords on that side.



### Installation and Take-Up Allowances

After calculating a center distance from a standard pitch length, make provision for adjusting the center distance as in sketch below, to allow for installation of the belts without injury, for tensioning, and for maintenance of proper tension throughout the life of the belt. (Refer to Tables 11 or 12 for values).

**Placing Belts on Sheaves** – Shorten the center distance of the drive until the belts can be put on the sheaves without forcing. Forcing the belts can cause internal injury to the belts.

**Belt Selection** – For maximum service, replace V-belt drives with a complete new matched set of belts or use the new Matchmaker belts.

Never employ a used belt as a replacement for a unit of a set. Used belts, normally, are worn in cross-section and stretched. A new belt so applied will ride higher in the sheave, travel faster and operate at a much higher tension than the used belts. The cord center may be ruptured, allowing the new belt to elongate. Shortly after this occurs it will cease to accept its full share of the load, leaving the drive under-belted. Thus, the new belt is wasted. Belts of different manufacturers should not be mixed for the same reasons.

**TABLE 11 - CENTER DISTANCE ALLOWANCE FOR NARROW BELT INSTALLATION AND TAKE-UP**

Nom. Belt Lgth. in Inches	Min. Installation Allowance (in Inches) (Below Center)						Min. Take-up Allowance (Above Center)
	3V Dyna-V	3V Poly-band	5V Dyna-V	5V Poly-band	8V Dyna-V	8V Poly-band	
Up to & incl. 47.5	.05	1.2	–	–	–	–	1.0
50-71	0.8	1.4	1.0	2.1	–	–	1.2
75-106	0.8	1.4	1.0	2.1	1.5	3.4	1.5
112-125	0.8	1.4	1.0	2.1	1.5	3.4	1.8
132-170	0.8	1.4	1.0	2.1	1.5	3.4	2.2
180-200	–	–	1.0	2.1	1.8	3.6	2.5
212-236	–	–	1.2	2.4	1.8	3.6	3.0
250 & 265	–	–	1.2	2.4	1.8	3.6	3.2
280 & 300	–	–	1.2	2.4	1.8	3.6	3.5
315-355	–	–	1.2	2.4	2.0	4.0	4.0
375	–	–	–	–	2.0	4.0	4.5
400-560	–	–	–	–	2.0	4.0	5.5

# Installing/Tensioning V-Drives

**TABLE 12 - CENTER DISTANCE ALLOWANCE FOR CLASSICAL BELT INSTALLATION AND TAKE-UP**

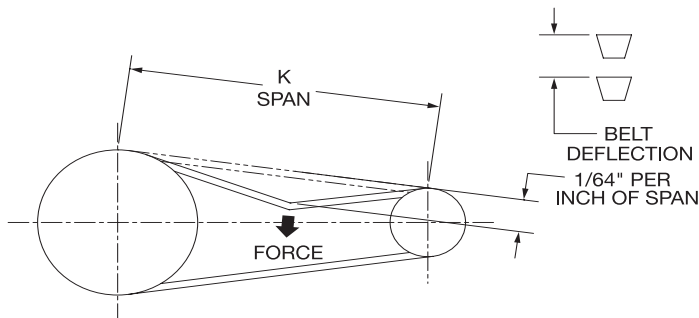
Nom. Belt Lgth. in Inches	Min. Installation Allowance (in Inches) (Below Center)							Min. Take-up Allowance (Above Center)
	A	B	B Polyband	C	C Polyband	D	D Polyband	
26-37	0.75	1.00	1.50	1.50	–	–	–	1.00
38-59	0.75	1.00	1.50	1.50	2.00	–	–	1.50
60-89	0.75	1.25	1.61	1.50	2.00	–	–	2.00
90-119	1.00	1.25	1.61	1.50	2.00	–	–	2.50
120-157	1.00	1.25	1.81	1.50	2.11	2.0	2.00	3.00
158-194	–	1.25	1.81	2.00	2.20	2.00	3.00	3.50
195-239	–	1.50	1.81	2.00	2.31	2.00	3.20	4.00
240-269	–	1.50	2.00	2.00	2.50	2.50	3.20	4.50
270-329	–	1.50	2.20	2.00	2.50	2.50	3.50	5.00
330-419	–	–	–	2.00	2.70	2.50	3.60	6.00
420 & Over	–	–	–	2.50	2.90	3.00	4.10	1-1/2% of belt lgth.

## Tensioning a Drive General Rules of Tensioning–

1. Ideal tension is the lowest tension at which the belt will not slip under peak load conditions.
2. Check tension frequently during the first 24-48 hours of run-in operation.
3. Over tensioning shortens belt and bearing life.
4. Keep belts free from foreign material which may cause slip.
5. Make V-Drive inspection on a periodic basis. Tension when slipping. Never apply belt dressing as this will damage the belt and cause early failure.

## Simple Tensioning Procedure

1. Measure the span length, K.
2. At the center of the span (K) apply a force (perpendicular to the span) large enough to deflect the 1/64, for every inch of span length. For example, one deflection of a 100 inch span would be 100/64 or 1-9/16 inches.



3. Compare the force you have applied with the values given in Tables 13 or 14. If the force is between the values for normal tension, and 1-1/2 times normal tension, the drive tension should be satisfactory. A force below the value for normal tension indicates an under-tensioned drive. If the force exceeds the value for 1-1/2 times normal tension, the drive is tighter than it needs to be.

**For V-Belt Tension Testers, See Page 97.**

After the proper operating tension has been applied to the belts, a double-check should be made of the following:

- a. Parallel position of the sheave shafts
- b. Correct alignment of sheave grooves

# Installing/Tensioning V-Drives

**TABLE 13 - BELT DEFLECTION FORCE (CHECK FACTORY FOR CONDITIONS NOT COVERED IN THIS TABLE)**

V-Belt Section	Small Sheave		Deflection Force in lbs. for Drive Speed Ratio of:			
	Speed Range	Diameter	1.0	1.5	2.0	4.0 +
<b>A</b> (AP)	1800-3600	3.0	2.0	2.3	2.4	2.6
	1800-3600	4.0	2.6	2.8	3.0	3.3
	1800-3600	5.0	3.0	3.3	3.4	3.7
	1800-3600	7.0	3.5	3.7	3.8	4.3
<b>B</b> (BP)	1200-1800	4.6	3.7	4.3	4.5	5.0
	1200-1800	5.0	4.1	4.6	4.8	5.6
	1200-1800	6.0	4.8	5.3	5.5	6.3
<b>C</b> (CP)	1200-1800	8.0	5.7	6.2	6.4	7.2
	900-1800	7.0	6.5	7.0	8.0	9.0
	900-1800	9.0	8.0	9.0	10.0	11.0
	900-1800	12.0	10.0	11.0	12.0	13.0
<b>D</b> (DP)	700-1500	16.0	12.0	13.0	13.0	14.0
	900-1500	12.0	13.0	15.0	16.0	17.0
	900-1500	15.0	16.0	18.0	19.0	21.0
	700-1200	18.0	19.0	21.0	22.0	24.0
<b>AX</b>	700-1200	22.0	22.0	23.0	24.0	26.0
	1800-3600	3.0	2.5	2.8	3.0	3.3
	1800-3600	4.0	3.3	3.6	3.8	4.2
	1800-3600	5.0	3.7	4.1	4.3	4.6
<b>BX</b>	1800-3600	7.0	4.3	4.6	4.8	5.3
	1200-1800	4.6	5.2	5.8	6.0	6.9
	1200-1800	5.0	5.4	6.0	6.3	7.1
	1200-1800	6.0	6.0	6.4	6.7	7.7
<b>CX</b>	1200-1800	8.0	6.6	7.1	7.5	8.2
	900-1800	7.0	10.0	11.0	12.0	13.0
	900-1800	9.0	11.0	12.0	13.0	14.0
	900-1800	12.0	12.0	13.0	13.0	14.0
<b>DX</b>	700-1500	16.0	13.0	14.0	14.0	15.0
	900-1500	12.0	16.0	18.0	19.0	20.0
	900-1500	15.0	19.0	21.0	22.0	24.0
	700-1200	18.0	22.0	24.0	25.0	27.0
	700-1200	22.0	25.0	27.0	28.0	30.0

V-Belt Section	Small Sheave		Deflection Force in lbs. for Drive Speed Ratio of:			
	Speed Range	Diameter	1.0	1.5	2.0	4.0+
<b>3VX</b>	1200-3600	2.2	2.2	2.5	2.7	3.0
	1200-3600	2.5	2.6	2.9	3.1	3.6
	1200-3600	3.0	3.1	3.5	3.7	4.2
	1200-3600	4.1	3.9	4.3	4.5	5.1
	1200-3600	5.3	4.6	4.9	5.1	5.7
	1200-3600	6.9	5.0	5.4	5.6	6.2
<b>5VX</b>	1200-3600	4.4	6.5	7.5	8.0	9.0
	1200-3600	5.2	8.0	9.0	9.5	10.0
	1200-3600	6.3	9.5	10.0	11.0	12.0
	1200-3600	7.1	10.0	11.0	12.0	13.0
	900-1800	9.0	12.0	13.0	14.0	15.0
<b>8VX</b>	900-1800	14	14.0	15.0	16.0	17.0
	900-1800	12.5	18.0	21.0	23.0	25.0
	900-1800	14.0	21.0	23.0	24.0	28.0
	700-1500	17.0	24.0	26.0	28.0	30.0
	700-1500	21.2	28.0	30.0	32.0	34.0
	400-1000	24.8	31.0	32.0	34.0	36.0
<b>5V</b>	900-1800	7.1	8.5	9.5	10.0	11.0
	900-1800	9.0	10.0	11.0	12.0	13.0
	900-1800	14	12.0	13.0	14.0	15.0
	700-1200	21.2	14.0	15.0	16.0	17.0
<b>8V</b>	900-1800	12.5	18.0	21.0	23.0	25.0
	900-1800	14.0	21.0	23.0	24.0	28.0
	700-1500	17.0	24.0	26.0	28.0	30.0
	700-1200	21.2	28.0	30.0	32.0	34.0
	400-1000	24.8	31.0	32.0	-	36.0

**Notes:** 1. Use approximately 130% of above values to tension a new set of belts.  
 2. Use closest sheave diameter for sizes not shown.

BUSHINGS & HUBS

SHEAVES

SYNCHRONOUS DRIVES

COUPLINGS

PART NUMBER INDEX

## Installing/Tensioning V-Drives

**TABLE 14 - POLYBAND PLUS BELT DEFLECTION FORCE (LBS.) (FORCE IS POUNDS FOR ONE BELT ONLY)**

Cross Section	Small Sheave Diameter Range	RPM Range	Belt Deflection Force*	
			Normal	New Belt
5VF	7.1-10.9	200-700	21.1	30.9
		701-1250	18.0	26.3
		1251-1900	16.7	23.4
		1901-3000	15.8	23.0
5VF	11.8-16.0	200-700	26.8	39.5
		701-1250	23.5	34.7
		1251-2100	22.7	33.3
8VF	12.5-20.0	200-500	44.7	65.8
		501-850	38.5	56.6
		851-1150	35.2	51.6
8VF	21.2-25.0	200-500	65.9	97.6
		501-850	61.2	90.6
		851-1200	57.0	84.3

\* Multiply the force required for one belt by the number of belts in the Polyband Plus unit to get total force to apply.  
 Example: New 8VF drive with a small sheave dia. equal to 20 in.  
 The RPM of the sheave is 1000.  
 The belt to be installed is 8/8VF4000.  
 Total deflection force = table value x 8 = 51.6 x 8 = 413 lbs.

## Belt Pull and Bearing Loads

**Belt Pull Calculations**—The following method of calculating belt pull is found to be the most convenient and accurate for drives operating at design loads and tensions:

$$T1 + T2 = 33,000 (2.5-G) \frac{(HP)}{GV}$$

WHERE:

T1 = Tight side tension, pounds

T2 = Slack side tension, pounds

HP = Design horsepower

V = Belt speed, feet per minute = (PD) (RPM) (.262)

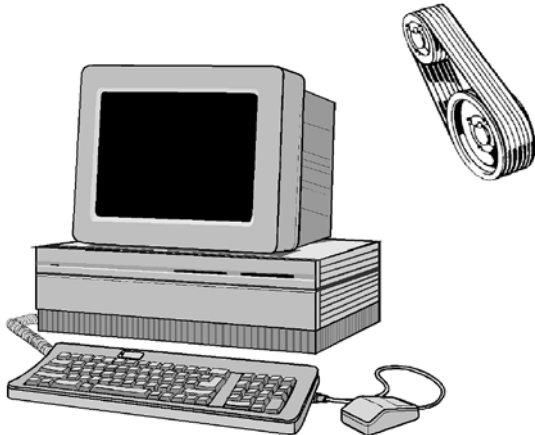
G = Arc of contact correction factor

D-d C	Arc of Contact	Factor G	D-d C	Arc of Contact	Factor G
.00	180°	1.00	.80	133°	.87
.10	174°	.99	.90	127°	.85
.20	169°	.97	1.00	120°	.82
.30	163°	.96	1.10	113°	.80
.40	157°	.94	1.20	106°	.77
.50	151°	.93	1.30	99°	.73
.60	145°	.91	1.40	91°	.70
.70	139°	.89	1.50	83°	.65

Arc of contact is on small sheave  
 D = Diam. of large sheave

d = Dia. of small sheave  
 C = Center distance

## Computer Drive Selection Program



Ask your Baldor Sales Engineer for a demonstration and instruction on how you can obtain your personal VIAVISA package.

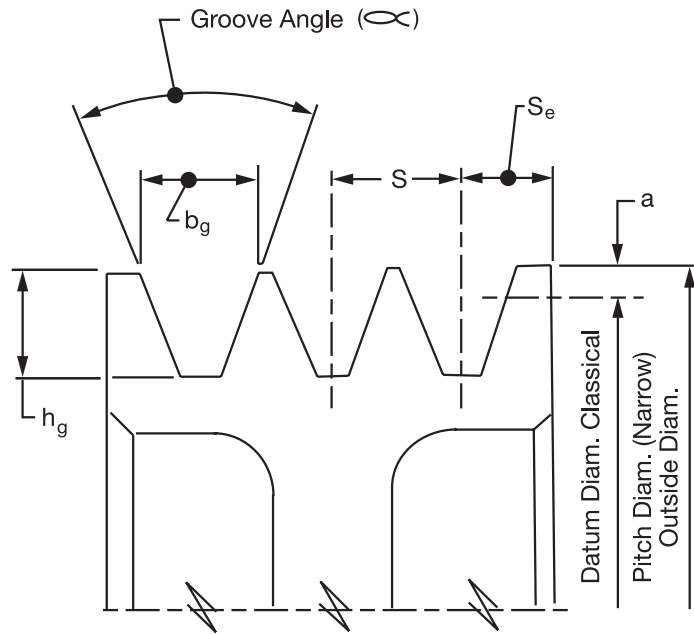
**NOTE:** Selection program VIAVISA available at [www.ptwizard.com](http://www.ptwizard.com).

For any given set of drive conditions, there are many different drives that will satisfy the requirements. What is a “best drive”? It could be the drive with lowest initial cost, or the drive with the lowest bearing load, or the drive which minimizes the number of parts required.

Finding the best drive is a time-consuming and frustrating task for the design engineer. Manual drive selection, pricing, and organizing of data for analysis can be a long, drawn-out process, prone to errors and oversights. VIAVISA Software handles such problems with ease and displays drive selection alternatives in an organized format that makes analysis a simple process. Here’s what you get with VIAVISA Software selection:

- Belt size, type, quantity, part number
- Sheave sizes, part number
- Bushing type, part number
- Drive face width
- Actual center distance
- Installation force/deflection values for drive tensioning
- Belt pull, dynamic shaft load for bearing and shafting calculations
- Net price (if discount multipliers entered). Default to total list price.
- Belt speed in feet per minute
- Calculated driven RPM
- Calculated actual service factor

V-Belt Sheave Groove Dimensions



NARROW

Belt Section	Outside Diameter Range	$\alpha$ $\pm 0.25$	$b_g$ $\pm .005$	$h_g$ Min.	$a$	$S$ $\pm .015$	$S_e$	
3VX, 3V	Less than 3.50	36°	.350	0.340	0.025	0.406	0.344	+.094 -.000
	3.50 to 6.00	38°						
	6.01 to 12.00	40°						
	Over 12.00	42°						
5VX, 5V	Less than 10.00	38°	.600	0.590	0.050	0.688	0.500	+.125 -.000
	10.00 to 16.00	40°						
	Over 16.00	42°						
8VX, 8V	Less than 16.00	38°	1.000	0.990	0.100	1.125	0.750	+.250 -.000
	16.00 to 22.40	40°						
	Over 22.40	42°						

CLASSICAL


Belt Section	Pitch Diameter		$m$ $+ 0.33$	$b_g$	$h_g$ Min.	$2a$ ref *	$S$ $\pm .025$	$S_e$		
	Min. Recom.	Range								
AX, A	3.0	2.6 to 5.4	34°	.494	±.005	.460	.125	.625	.375	+.090 -.062
		Over 5.4	38°	.504						
BX, B	5.4	4.6 to 7.0	34°	.637	±.006	.550	.175	.750	.500	+.120 -.065
		Over 7.0	38°	.650						
A, B AX, BX	-	To 7.0	34°	.612	±.006	.612	A (.634/.602) B (.333/.334)	.750	.500	+.120 -.065
		Over 7.0	38°	.625						
CX, C	9.0	7.0 to 7.99	34°	.879	±.007	.750	.200	1.000	.688	+.160 -.070 -
		8.0 to 12.0	36°	.887						
		Over 12.0	38°	.895						
DX, D	13.0	12.0 to 12.9	34°	1.259	±.008	1.020	.300	1.438	.875	+.220 -.080
		13.0 to 17.0	36°	1.271						
		Over 17.0	38°	1.283						
E	21.0	18.0 to 24.0	36°	1.527	±.010	1.300	.400	1.750	1.125	+.250 -.000
		Over 24.0	38°	1.542						

Note: For complete manufacturing tolerances – see RMA, MPTA, Narrow/Classical V-belt Standards.

\* Datum diameter, not pitch diameter.



## More Power and Life From V-Drives

Trouble Area And Observation	Cause	Remedy
<b>BELT STRETCH BEYOND TAKE-UP</b>		
Belt stretch unequally.	Mis-aligned drive, unequal work done by belts.	Realign and re-tension drive.
All belts stretch about equally.	Belt tensile member broken from improper installation. Insufficient take-up allowance.	Replace all belts with new matched set properly installed. Check take-up and follow allowance on page 99 Table 12.
	Greatly overloaded or underdesigned drive.	Redesign.
<b>SHORT BELT LIFE</b>		
Relatively rapid failure; no visible reason.	Tensile members damaged through improper installation. Worn sheave grooves (check with groove gauge).	Replace with all new matched set, properly installed. Replace sheaves.
	Under-designed drive.	Redesign.
Sidewalls soft and sticky. Low adhesion between cover plies. Cross-section swollen.	Oil or grease on belts or sheaves.	Remove source of oil or grease. Clean belts and grooves with cloth moistened with alcohol.
Sidewalls dry and hard. Low adhesion between cover plies. Bottom belt cracked.	High temperatures.	Remove source of heat. Ventilate drive better.
<b>BELT TURN OVER</b>		
	Excess lateral belt whip.	Use Banded belt.
	Foreign material in grooves.	Remove material—shield drive.
	Mis-aligned sheaves.	Realign the drive.
	Worn sheave grooves (check with groove gauge).	Replace sheave.
	Tensile member broken through improper installation.	Replace with new matched set properly installed.
	Incorrectly placed flat idler pulley.	Carefully align flat idler on slack side of drive as close as possible to driver sheave.
<b>DETERIORATION OF RUBBER COMPOUNDS USED IN BELT</b>		
Extreme cover wear.	Belts rub against belt guard or other obstruction.	Remove obstruction or align drive to give needed clearance.
Spin burns on belt. Bottom of belt cracked.	Belts slip under starting or stalling load. Too small sheaves.	Tighten drive until slipping stops. Redesign for larger sheaves.
Broken belts.	Object falling into or hitting drive.	Replace with new matched set of belts. Provide shield for drive.
<b>IMPROPER DRIVEN SPEED</b>		
Incorrect driveR-driveN ratio.	Design error.	Use correct sheave sizes.
Spin burns on belt.	Belt slip.	Re-tension drive until belt stops slipping.
<b>BELT NOISE</b>		
	Belt slip.	Re-tension drive until it stops slipping.
<b>HOT BEARINGS</b>		
Drive over-tensioned.	Worn grooves-belts bottoming and will not transmit power until over-tensioned.	Replace sheaves. Tension drive properly.
	Improper tensioning.	Re-tension drive.
Sheaves too small. Poor bearing condition.	Motor manufacturers sheave diameters not followed. Underdesigned bearing or poor bearing maintenance.	Redesign drive. Observe recommended bearing design and maintenance.
Sheaves out too far on shaft.	Error or obstruction problem.	Place sheaves as close as possible to bearings. Remove any obstruction preventing this.
Drive under-tensioned.	Belts slipping and causing heat build-up.	Re-tension drive.

BUSHINGS & HUBS

SHEAVES

SYNCHRONOUS DRIVES

COUPLINGS

PART NUMBER INDEX

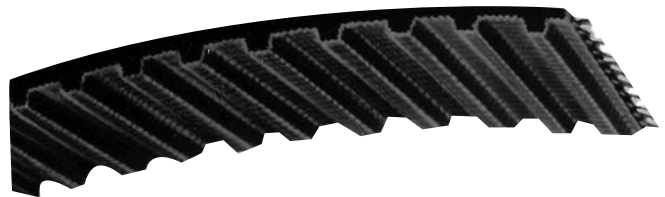
## Dyna-Sync® Drives



**Dyna-Sync Pulley**

### The Original Timing Drive

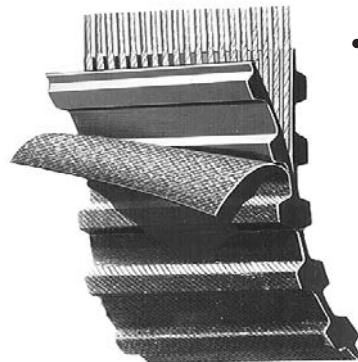
- Synchronized no-slip transmission
- No lubrication required
- Efficiency: approximately 98%
- Low maintenance
- Virtually no backlash
- Constant linear velocity
- Drive ratios to 8.5:1
- Pitches: XL, L, H, and XH



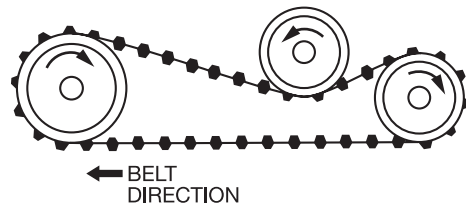
- Tough, tensile cords, no-stretch fiberglass
- Durable neoprene rubber body
- Long-wearing nylon duck facing
- Oil, heat, and ozone resistant



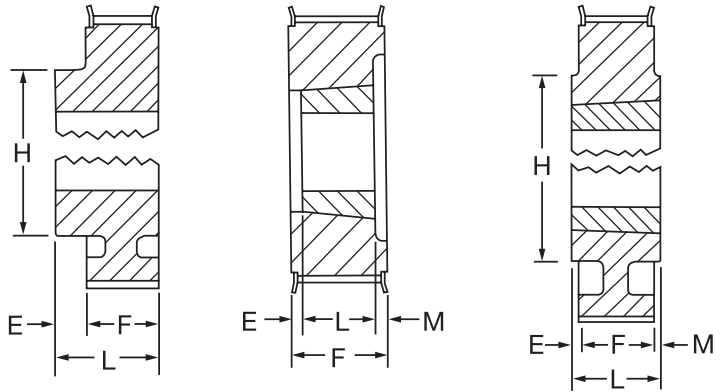
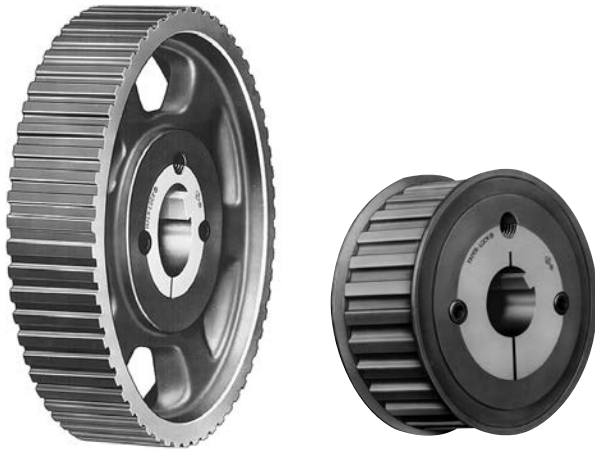
- Clean, compact taper-lock design
- Easy-on/easy-off
- Precision manufactured in ISO9000 certified plant
- Flanged design standard on driver sizes



- Dual-sided teeth available for serpentine drives



**Dyna-Sync® Pulleys - XH**



**XH200 - 7/8 IN. PITCH (2 IN. WIDE BELT)**

**F=2.56 IN.**

No. of Teeth	Description	Part Number	Approx. Weight	Pitch Dia. (PD)	Fig. O.D.	Type †	Bore Range		Dimension			
							Min.	Max.	E	H	L	M
18	TL18XH200-2012	113074	12	5.013	5.58	KF-1	1/2	2-1/8	.84	–	1.25	.47
20	TL20XH200-2012	113120	16	5.570	6.11	KF-1	1/2	2-1/8	.84	–	1.25	.47
22	TL22XH200-2517	113804	10.6	6.127	6.59	KF-1	1/2	2-11/16	.81	–	1.75	0
24	TL24XH200-3020	113807	11.3	6.685	7.28	KF-1	7/8	3-1/4	.56	–	2.0	0
26	TL26XH200-3020	113810	13.3	7.241	7.78	KF-1	7/8	3-1/4	.56	–	2.0	0
28	TL28XH200-3535	113813	13.5	7.799	8.27	CF-1	1-3/16	3-15/16	.94	6.50	3.5	0
30	TL30XH200-3535	113816	18.5	8.356	9.31	CF-1	1-3/16	3-15/16	.94	6.50	3.5	0
32	TL32XH200-3535	113819	21.5	8.913	9.52	CF-1	1-3/16	3-15/16	.94	6.50	3.5	0
40	TL40XH200-4040	113822	37.5	11.141	11.80	CF-1	1-7/16	4-7/16	1.44	8.50	4.0	0
48	TL48XH200-4040	113823	44.5	13.369	None	C-2	1-7/16	4-7/16	.72	8.50	4.0	.72
60	TL60XH200-4040	113824	47	16.711		C-3	1-7/16	4-7/16	.72	8.50	4.0	.72

**XH300 - 7/8 IN. PITCH (3 IN. WIDE BELT)**

**F=3.63 IN.**

No. of Teeth	Description	Part Number	Approx. Weight	Pitch Dia. (PD)	Fig. O.D.	Type †	Bore Range		Dimension			
							Min.	Max.	E	H	L	M
18	TL18XH300-2012	113121	15	5.013	5.58	KF-1	1/2	2-1/8	1.38	–	1.25	1.0
20	TL20XH300-2012	113122	19	5.570	6.11	KF-1	1/2	2-1/8	1.38	–	1.25	1.0
22	TL22XH300-2517	113854	13.6	6.127	6.59	KF-1	1/2	2-11/16	.94	–	1.75	.94
24	TL24XH300-3020	113857	15.3	6.685	7.28	KF-1	7/8	3-1/4	.81	–	2.0	.81
26	TL26XH300-3020	113860	17.3	7.241	7.78	KF-1	7/8	3-1/4	.81	–	2.0	.81
28	TL28XH300-3535	113863	17.3	7.799	8.27	KF-1	1-3/16	3-15/16	.13	–	3.5	–
30	TL30XH300-3535	113866	22.5	8.356	9.31	KF-1	1-3/16	3-15/16	.13	–	3.5	–
32	TL32XH300-3535	113869	26.5	8.913	9.52	KF-1	1-3/16	3-15/16	.13	–	3.5	–
40	TL40XH300-4040	113872	43.5	11.141	11.80	CF-1	1-7/16	4-7/16	.38	7.50	4.0	–
48	TL48XH300-4040	113873	51.5	13.369	None	C-1	1-7/16	4-7/16	.19	8.50	4.0	.19
60	TL60XH300-4040	113874	55.5	16.711		C-3	1-7/16	4-7/16	.19	8.50	4.0	.19

† Dash 1 = Block, 2 = Web, 3 = Arm. (See page 64)  
V-Drives Section) Letter "F" indicates pulley is flanged.

**XXH Pulley Note:** Discontinued Product. Recommend that drive be redesigned to QD HTD Sprocket. Refer to QD HTD Sprocket section of this catalog.

**Dyna-Sync® Pulleys - Reborable**  
**MINIMUM PLAIN BORE**

**L050 - 3/8 IN. PITCH (.5 IN. WIDE BELT) - MINIMUM PLAIN BORE**

**F = 0.75 IN.**

No. of Teeth	Description	Part Number	Approx. Weight	Pitch Dia. (PD)	Fig. O.D.	Type	Stock Bore	Max Bore	Dimension		
									H	L	E
10	10L050-MPB	113450	.26	1.194	1.44	DF-1	3/8	1/2	.81	1.25	.50
12	12L050-MPB	113451	.38	1.432	1.66	DF-1	3/8	3/4	1.00	1.25	.50
13	13L050-MPB	114441	.50	1.552	1.78	DF-1	3/8	3/4	1.13	1.25	.50
14	14L050-MPB	113452	.55	1.671	1.91	DF-1	3/8	3/4	1.13	1.25	.50
15	15L050-MPB	114442	.66	2.030	2.03	DF-1	1/2	7/8	1.34	1.25	.50
16	16L050-MPB	113453	.69	1.790	2.13	DF-1	1/2	1	1.44	1.25	.50
17	17L050-MPB	114301	.84	1.910	2.25	DF-1	1/2	1	1.44	1.25	.50
18	18L050-MPB	114302	.87	2.149	2.38	DF-1	1/2	1	1.56	1.25	.50
19	19L050-MPB	114303	1.11	2.268	2.50	DF-1	1/2	1	1.69	1.25	.50
20	20L050-MPB	114304	1.20	2.378	2.63	DF-1	1/2	1	1.69	1.25	.50
21	21L050-MPB	114305	1.41	2.507	2.75	DF-1	1/2	1-1/4	2.00	1.25	.50
22	22L050-MPB	114306	1.50	2.626	2.88	DF-1	1/2	1-1/4	2.00	1.25	.50
24	24L050-MPB	114307	1.80	2.865	3.09	DF-1	1/2	1-3/8	2.25	1.25	.50
26	26L050-MPB	114308	2.07	3.104	3.33	DF-1	1/2	1-3/8	2.25	1.25	.50
28	28L050-MPB	114309	2.33	3.342	3.57	DF-1	1/2	1-3/8	2.25	1.25	.50
30	30L050-MPB	114310	2.58	3.581	3.80	DF-1	1/2	1-3/8	2.25	1.25	.50
32	32L050-MPB	114311	3.13	3.820	4.04	DF-1	1/2	1-5/8	2.63	1.25	.50
36	36L050-MPB	114443	4.39	4.297	4.52	DF-1	1/2	2-5/16	3.50	1.25	.50
40	40L050-MPB	114444	5.16	4.775	5.00	DF-1	1/2	2-3/8	3.63	1.25	.50

**L075 - 3/8 IN. PITCH (.75 IN. WIDE BELT) - MINIMUM PLAIN BORE**

**F = 1.00 IN.**

12	12L075-MPB	113500	.46	1.432	1.66	DF-1	3/8	1/2	1.00	1.50	.50
13	13L075-MPB	114445	.62	1.552	1.78	DF-1	3/8	3/4	1.13	1.50	.50
14	14L075-MPB	113501	.69	1.671	1.91	DF-1	3/8	3/4	1.13	1.50	.50
15	15L075-MPB	114446	.81	1.790	2.03	DF-1	1/2	7/8	1.34	1.50	.50
16	16L075-MPB	113502	.84	1.910	2.13	DF-1	1/2	1	1.44	1.50	.50
17	17L075-MPB	114312	1.03	2.029	2.25	DF-1	1/2	1	1.44	1.50	.50
18	18L075-MPB	114313	1.17	2.149	2.38	DF-1	1/2	1	1.56	1.50	.50
19	19L075-MPB	114314	1.32	2.268	2.50	DF-1	1/2	1	1.69	1.50	.50
20	20L075-MPB	114315	1.44	2.387	2.63	DF-1	1/2	1-1/4	1.69	1.50	.50
21	21L075-MPB	114316	1.68	2.507	2.75	DF-1	5/8	1-1/4	2.00	1.50	.50
22	22L075-MPB	114317	1.79	2.626	2.88	DF-1	5/8	1-3/8	2.00	1.50	.50
24	24L075-MPB	114318	2.22	2.865	3.09	DF-1	5/8	1-3/8	2.25	1.50	.50
26	26L075-MPB	114319	2.48	3.104	3.33	DF-1	5/8	1-3/8	2.25	1.50	.50
28	28L075-MPB	114320	2.84	3.342	3.57	DF-1	5/8	1-3/8	2.25	1.50	.50
30	30L075-MPB	114321	3.24	3.581	3.80	DF-1	5/8	1-3/8	2.25	1.50	.50
32	32L075-MPB	114322	3.77	3.820	4.04	DF-1	5/8	1-5/8	2.63	1.50	.50
36	36L075-MPB	114447	5.33	4.297	4.52	DF-1	5/8	2-5/16	3.50	1.50	.50
40	40L075-MPB	114448	6.31	4.775	5.00	DF-1	5/8	2-3/8	3.63	1.50	.50

**L100 - 3/8 IN. PITCH (1 IN. WIDE BELT) - MINIMUM PLAIN BORE**

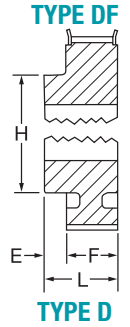
**F = 1.25 IN.**

13	13L100-MPB	114449	.72	1.552	1.78	DF-1	3/8	3/4	1.13	1.75	.50
14	14L100-MPB	113550	.82	1.671	1.91	DF-1	3/8	3/4	1.13	1.75	.50
15	15L100-MPB	114450	.96	1.790	2.03	DF-1	1/2	7/8	1.34	1.75	.50
16	16L100-MPB	113551	.98	1.910	2.13	DF-1	1/2	1	1.44	1.75	.50
17	17L100-MPB	114323	1.23	2.029	2.25	DF-1	1/2	1	1.44	1.75	.50
18	18L100-MPB	114324	1.38	2.149	2.38	DF-1	1/2	1	1.56	1.75	.50
19	19L100-MPB	114325	1.56	2.268	2.50	DF-1	1/2	1	1.69	1.75	.50
20	20L100-MPB	114326	1.71	2.387	2.63	DF-1	1/2	1	1.69	1.75	.50
21	21L100-MPB	114327	1.97	2.507	2.75	DF-1	5/8	1-1/4	2.00	1.75	.50
22	22L100-MPB	114328	2.13	2.626	2.88	DF-1	5/8	1-1/4	2.00	1.75	.50
24	24L100-MPB	114329	2.60	2.865	3.09	DF-1	5/8	1-3/8	2.25	1.75	.50
26	26L100-MPB	114330	3.12	3.104	3.33	DF-1	5/8	1-5/8	2.44	1.75	.50
28	28L100-MPB	114331	3.65	3.342	3.57	DF-1	5/8	1-3/4	2.69	1.75	.50
30	30L100-MPB	114332	4.19	3.581	3.80	DF-1	5/8	1-7/8	2.81	1.75	.50
32	32L100-MPB	114333	4.86	3.820	4.04	DF-1	5/8	2	3.13	1.75	.50
36	36L100-MPB	114451	6.24	4.297	4.52	DF-1	5/8	2-5/16	3.50	1.75	.50
40	40L100-MPB	114452	7.52	4.775	5.00	DF-1	5/8	2-5/16	3.63	1.75	.50

**Note:** Available from stock in Min. Plain Bore (MPB) only.

Max. bore is without keyway. (If keyway is used, reduce max. bore by twice the keyway depth.)

**Dyna-Sync® Pulleys - Reborable**  
**MINIMUM PLAIN BORE**



**H100 - 1/2 IN. PITCH (1 IN. WIDE BELT) - MINIMUM PLAIN BORE**

**F = 1.25 IN.**

No. of Teeth	Description	Part Number	Approx. Weight	Pitch Dia. (PD)	Flg. O.D.	Type	Stock Bore	Max Bore	Dimension		
									H	L	E
14	14H100-MPB	114334	1.48	2.228	2.46	DF-1	5/8	7/8	1.63	1.88	.63
16	16H100-MPB	114335	2.12	2.546	2.78	DF-1	5/8	1-1/8	1.88	2.00	.75
17	17H100-MPB	114453	2.42	2.706	2.94	DF-1	5/8	1-1/4	2.00	2.00	.75
18	18H100-MPB	114336	2.86	2.865	3.10	DF-1	5/8	1-3/8	2.25	2.00	.75
19	19H100-MPB	114337	3.21	3.024	3.26	DF-1	5/8	1-1/2	2.38	2.00	.75
20	20H100-MPB	114338	3.68	3.183	3.42	DF-1	5/8	1-5/8	2.50	2.13	.88
21	21H100-MPB	114339	4.08	3.342	3.57	DF-1	3/4	1-11/16	2.63	2.13	.88
22	22H100-MPB	114340	4.67	3.501	3.74	DF-1	3/4	1-3/4	2.75	2.25	1.00
24	24H100-MPB	114341	5.60	3.820	4.05	DF-1	3/4	1-7/8	3.00	2.25	1.00
26	26H100-MPB	114342	7.16	4.138	4.37	DF-1	3/4	2-1/4	3.38	2.38	1.13
28	28H100-MPB	114343	8.15	4.456	4.69	DF-1	3/4	2-5/16	3.50	2.38	1.13
30	30H100-MPB	114454	9.15	4.775	5.01	DF-1	3/4	2-3/8	3.63	2.38	1.13

**H150 - 1/2 IN. PITCH (1.5 IN. WIDE BELT) - MINIMUM PLAIN BORE**

**F = 1.75 IN.**

14	14H150-MPB	114344	1.85	2.228	2.46	DF-1	3/4	7/8	1.63	2.38	.63
16	16H150-MPB	114345	2.63	2.546	2.78	DF-1	3/4	1-1/8	1.88	2.50	.75
17	17H150-MPB	114455	3.06	2.706	2.94	DF-1	3/4	1-1/4	2.00	2.50	.75
18	18H150-MPB	114346	3.55	2.865	3.10	DF-1	3/4	1-3/8	2.25	2.50	.75
19	19H150-MPB	114347	4.01	3.024	3.26	DF-1	3/4	1-1/2	2.38	2.50	.75
20	20H150-MPB	114348	4.62	3.183	3.42	DF-1	3/4	1-5/8	2.50	2.63	.88
21	21H150-MPB	114349	5.15	3.342	3.57	DF-1	3/4	1-11/16	2.63	2.63	.88
22	22H150-MPB	114350	5.89	3.501	3.74	DF-1	3/4	1-3/4	2.75	2.75	1.00
24	24H150-MPB	114351	7.09	3.820	4.05	DF-1	3/4	1-7/8	3.00	2.75	1.00
26	26H150-MPB	114352	8.62	4.138	4.37	DF-1	3/4	2-1/4	3.38	2.75	1.00
28	28H150-MPB	114353	10.09	4.456	4.69	DF-1	3/4	2-5/16	3.50	2.88	1.13
30	30H150-MPB	114456	11.52	4.775	5.01	DF-1	3/4	2-3/8	3.63	2.88	1.13

**H200 - 1/2 IN. PITCH (2 IN. WIDE BELT) - MINIMUM PLAIN BORE**

**F = 2.28 IN.**

14	14H200-MPB	114354	2.35	2.228	2.44	DF-1	3/4	7/8	1.63	2.91	.63
16	16H200-MPB	114355	3.29	2.546	2.88	DF-1	3/4	1-1/8	1.88	3.03	.75
17	17H200-MPB	114457	3.77	2.706	3.00	DF-1	3/4	1-1/4	2.00	3.03	.75
18	18H200-MPB	114356	3.90	2.865	3.13	DF-1	3/4	1-3/8	2.25	3.03	.75
19	19H200-MPB	114357	3.90	3.024	3.38	DF-1	3/4	1-1/2	2.38	3.03	.75
20	20H200-MPB	114358	5.34	3.183	3.38	DF-1	3/4	1-5/8	2.50	3.16	.88
21	21H200-MPB	114359	6.10	3.342	3.63	DF-1	1	1-11/16	2.63	3.16	.88
22	22H200-MPB	114360	6.30	3.501	3.81	DF-1	1	1-3/4	2.75	3.28	1.00
24	24H200-MPB	114361	8.35	3.820	4.06	DF-1	1	1-7/8	3.00	3.28	1.00
26	26H200-MPB	114362	10.44	4.138	4.38	DF-1	1	2-1/4	3.38	3.41	1.13
28	28H200-MPB	114363	12.01	4.456	4.69	DF-1	1	2-5/16	3.50	4.44	2.16
30	30H200-MPB	114458	13.80	4.775	5.00	DF-1	1	2-3/8	3.63	4.44	2.16

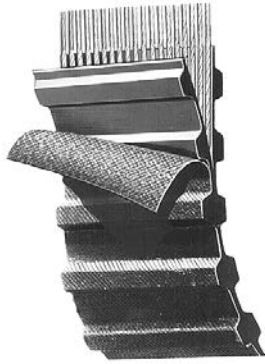
**H300 - 1/2 IN. PITCH (3 IN. WIDE BELT) - MINIMUM PLAIN BORE**

**F = 3.31 IN.**

16	16H300-MPB	114364	4.54	2.546	2.88	DF-1	3/4	1-1/8	1.88	4.06	.75
17	17H300-MPB	114459	5.23	2.706	3.00	DF-1	3/4	1-1/4	2.00	4.06	.75
18	18H300-MPB	114365	6.00	2.865	3.13	DF-1	3/4	1-3/8	2.25	4.06	.75
19	19H300-MPB	114366	6.80	3.024	3.38	DF-1	3/4	1-1/2	2.35	4.06	.75
20	20H300-MPB	114367	7.69	3.183	3.38	DF-1	3/4	1-5/8	2.50	4.19	.88
21	21H300-MPB	114368	8.59	3.342	3.63	DF-1	1	1-11/16	2.66	4.19	.88
22	22H300-MPB	114369	9.00	3.501	3.81	DF-1	1	1-3/4	2.75	4.31	1.00
24	24H300-MPB	114370	11.01	3.820	4.06	DF-1	1-1/8	1-7/8	3.00	4.31	1.00
26	26H300-MPB	114371	13.60	4.138	4.38	DF-1	1-1/8	2-1/4	3.38	4.44	1.13
28	28H300-MPB	114372	15.60	4.456	4.69	DF-1	1-1/8	2-5/16	3.50	4.44	1.13
30	30H300-MPB	114460	18.11	4.775	5.00	DF-1	1-1/8	2-3/8	3.63	4.44	1.13

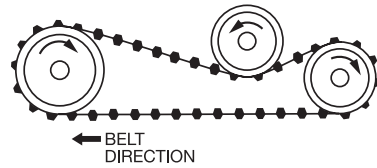
**Note:** Available from stock in Min. Plain Bore (MPB) only.  
 Max. bore is without keyway. (If keyway is used, reduce max. bore by twice the keyway depth.)

**Dual Dyna-Sync® Belts**



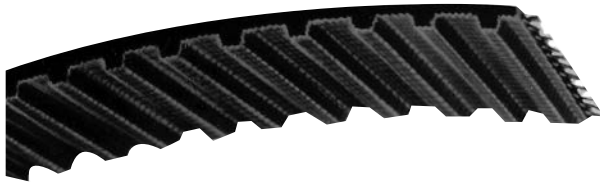
**For Serpentine Drives**

DXL Series Dual Dyna-Sync Belts					DL Series Dual Dyna-Sync Belts						
1/5 in. Pitch (XL)					3/8 in. Pitch (L)						
Belt Lgth.	XL025 (1/4 in. Wide)		XL037 (3/8 in. Wide)		Belt Lgth.	L050 (1/2 in. Wide)		L075 (3/4 in. Wide)		L100 (1 in. Wide)	
	Belt No.	Part No.	Belt No.	Part No.		Belt No.	Part No.	Belt No.	Part No.	Belt No.	Part No.
12.0	D120XL025	110132	D120XL037	110133	15.0	D150L050	110187	D150L075	110158	D150L100	110189
13.0	D130XL025	110134	D130XL037	110135	18.7	D187L050	110190	D187L075	110191	D187L100	110192
14.0	D140XL025	110136	D140XL037	110137	21.0	D210L050	110193	D210L075	110194	D210L100	110195
15.0	D150XL025	110138	D150XL037	110139	22.5	D225L050	110196	D225L075	110197	D225L100	110198
16.0	D160XL025	110140	D160XL037	110141	24.0	D240L050	110199	D240L075	110200	D240L100	110201
17.0	D170XL025	110142	D170XL037	110143	25.5	D255L050	110202	D255L075	110203	D255L100	110204
18.0	D180XL025	110144	D180XL037	110145	27.0	D270L050	110205	D270L075	110206	D270L100	110207
19.0	D190XL025	110146	D190XL037	110147	28.5	D285L050	110208	D285L075	110209	D285L100	110210
20.0	D200XL025	110148	D200XL037	110149	30.0	D300L050	110211	D300L075	110212	D300L100	110213
21.0	D210XL025	110150	D210XL037	110151	32.2	D322L050	110214	D322L075	110215	D322L100	110216
22.0	D220XL025	110152	D220XL037	110153	34.5	D345L050	110217	D345L075	110218	D345L100	110219
23.0	D230XL025	110155	D230XL037	110155	36.7	D367L050	110220	D367L075	110221	D367L100	110222
24.0	D240XL025	110156	D240XL037	110157	39.0	D390L050	110223	D390L075	110224	D390L100	110225
25.0	D250XL025	110158	D250XL037	110159	42.0	D420L050	110226	D420L075	110227	D420L100	110228
26.0	D260XL025	110160	D260XL037	110161	45.0	D450L050	110229	D450L075	110230	D450L100	110231
28.0	D280XL025	110162	D280XL037	110163	48.0	D480L050	110232	D460L075	110233	D480L100	110234
29.0	D290XL025	110164	D290XL037	110165	51.0	D510L050	110235	D510L075	110236	D510L100	110237
30.0	D300XL025	110166	D300XL037	110167	54.0	D540L050	110238	D540L075	110239	D540L100	110240
31.0	D310XL025	110168	D310XL037	110169	60.0	D600L050	110241	D600L075	110242	D600L100	110243
33.0	D330XL025	110170	D330XL037	110171	66.0	D660L050	110244	D660L075	110245	D660L100	110246
		Avg. Wt. .03 lb.		Avg. Wt. 0.5 lb.		Avg. Wt. .14 lb.		Avg. Wt. .21 lb.		Avg. Wt. .26 lb.	



BUSHINGS & HUBS  
SHEAVES  
SYNCHRONOUS DRIVES  
COUPLINGS  
PART NUMBER INDEX

**Dyna-Sync® - Belts**



**XL SERIES DYNA-SYNC BELTS**

1/5 in. Pitch (XL)						
Belt Length	XL025 (1/4 in. Wide) Belt No.	Part No.	Wt.	XL037 (3/8 in. Wide) Belt No.	Part No.	Wt.
6.0	60XL025	465335	—	60XL037	464521	—
7.0	70XL025	464501	—	70XL037	464522	—
8.0	80XL025	464502	—	80XL037	464523	—
9.0	90XL025	464503	—	90XL037	464524	.01
10.0	100XL025	464504	—	100XL037	464525	.01
11.0	110XL025	464505	—	110XL037	464526	.01
12.0	120XL025	464506	—	120XL037	464527	.01
13.0	130XL025	464507	.01	130XL037	464528	.01
14.0	140XL025	464508	.01	140XL037	464529	.01
15.0	150XL025	464509	.01	150XL037	464530	.01
16.0	160XL025	464510	.01	160XL037	464531	.01
17.0	170XL025	464511	.01	170XL037	464532	.01
18.0	180XL025	464512	.01	180XL037	464533	.02
19.0	190XL025	464513	.01	190XL037	464534	.02
20.0	200XL025	464514	.01	200XL037	464535	.02
21.0	210XL025	464515	.01	210XL037	464536	.02
22.0	220XL025	464516	.01	220XL037	464537	.02
23.0	230XL025	464517	.01	230XL037	464538	.02
24.0	240XL025	464518	.01	240XL037	464539	.02
25.0	250XL025	464519	.01	250XL037	464540	.02
26.0	260XL025	464520	.02	260XL037	464541	.02

**L SERIES DYNA-SYNC BELTS**

3/8 in. Pitch (L)									
Belt Length	L050 (1/2 in. Wide)			L075 (3/4 in. Wide)			L100 (1 in. Wide)		
	Belt No.	Part No.	Wt.	Belt No.	Part No.	Wt.	Belt No.	Part No.	Wt.
12.4	124L050	464542	.03	124L075	464562	.05	124L100	464582	.06
15.0	150L050	464543	.04	150L075	464563	.06	150L100	464583	.08
18.7	187L050	464544	.05	187L075	464564	.07	187L100	464534	.10
21.0	210L050	464545	.05	210L075	464565	.08	210L100	464585	.09
22.5	225L050	464546	.06	225L075	464566	.09	225L100	464586	.11
24.0	240L050	464547	.06	240L075	464567	.09	240L100	464587	.11
25.5	255L050	464548	.06	255L075	464568	.10	255L100	464588	.13
27.0	270L050	464549	.07	270L075	464569	.10	270L100	464589	.14
28.5	285L050	464550	.07	285L075	464570	.11	285L100	464590	.14
30.0	300L050	464551	.08	300L075	464571	.11	300L100	464591	.15
32.2	322L050	464552	.08	322L075	464572	.12	322L100	464592	.16
34.5	345L050	464553	.09	345L075	464573	.13	345L100	464593	.17
36.7	367L050	464554	.09	367L075	464574	.14	367L100	464594	.19
39.0	390L050	464555	.10	390L075	464575	.15	390L100	464595	.20
42.0	420L050	464556	.11	420L075	464576	.16	420L100	464596	.21
45.0	450L050	464557	.11	450L075	464577	.17	450L100	464597	.23
48.0	480L050	464558	.12	480L075	464578	.18	480L100	464598	.24
51.0	510L050	464559	.13	510L075	464579	.19	510L100	464599	.26
54.0	540L050	464560	.14	540L075	464580	.21	540L100	464600	.27
60.0	600L050	464561	.15	600L075	464581	.23	600L100	464601	.30

**Dyna-Sync® - Belts**

**H SERIES DYNA-SYNC BELTS**

1/2 in. Pitch (H)

Belt Length	H075 (3/4 in. Wide)			H100 (1 in. Wide)			H150 (1-1/2 in. Wide)			H200 (2 in. Wide)			H300 (3 in. Wide)		
	Belt No.	Part No.	Wt.	Belt No.	Part No.	Wt.	Belt No.	Part No.	Wt.	Belt No.	Part No.	Wt.	Belt No.	Part No.	Wt.
24.0	240H075	464602	.11	240H100	464621	.14	240H150	464645	.22	240H200	464772	.29	240H300	464778	.43
27.0	270H075	464603	.12	270H100	464622	.16	270H150	464646	.24	270H200	464773	.33	270H300	464779	.49
30.0	300H075	464604	.14	300H100	464623	.18	300H150	464647	.27	300H200	464774	.36	300H300	464780	.54
33.0	330H075	464605	.14	330H100	464624	.20	330H150	464648	.30	330H200	464775	.40	330H300	464781	.60
36.0	360H075	464606	.15	360H100	464625	.22	360H150	464649	.33	360H200	464664	.43	360H300	464736	.65
39.0	390H075	464607	.18	390H100	464626	.24	390H150	464650	.35	390H200	464665	.47	390H300	464737	.71
42.0	420H075	464608	.19	420H100	464627	.25	420H150	464651	.38	420H200	464666	.51	420H300	464738	.76
45.0	450H075	464609	.20	450H100	464628	.27	450H150	464652	.41	450H200	464667	.54	450H300	464739	.81
48.0	480H075	464610	.23	480H100	464629	.31	480H150	464653	.46	480H200	464668	.62	480H300	464740	.92
51.0	510H075	464611	.23	510H100	464630	.31	510H150	464654	.46	510H200	464669	.62	510H300	464741	.92
54.0	540H075	464612	.24	540H100	464631	.33	540H150	464655	.49	540H200	464670	.65	540H300	464683	.98
57.0	570H075	464613	.26	570H100	464632	.34	570H150	464656	.52	570H200	464671	.69	570H300	464684	1.03
60.0	600H075	464614	.27	600H100	464633	.36	600H150	464657	.54	600H200	464672	.72	600H300	464685	1.09
63.0	630H075	464615	.29	630H100	464634	.38	630H150	464658	.57	630H200	464673	.76	630H300	464686	1.14
66.0	660H075	464616	.30	660H100	464635	.40	660H150	464659	.60	660H200	464674	.80	660H300	464687	1.20
70.0	700H075	464617	.32	700H100	464636	.42	700H150	464660	.63	700H200	464675	.85	700H300	464688	1.27
75.0	750H075	464618	.34	750H100	464637	.45	750H150	464661	.68	750H200	464676	.91	750H300	464689	1.36
80.0	800H075	464619	.36	800H100	464638	.48	800H150	464662	.72	800H200	464677	.97	800H300	464742	1.45
85.0	850H075	464620	.38	850H100	464639	.51	850H150	464663	.77	850H200	464678	1.03	850H300	464743	1.54
90.0	900H075	464759	.41	900H100	464640	.54	900H150	464766	.82	900H200	464679	1.09	900H300	464744	1.63
100.0	1000H075	464760	.45	1000H100	464641	.60	1000H150	464767	.91	1000H200	464680	1.21	1000H300	464745	1.81
110.0	1100H075	464761	.50	1100H100	464642	.66	1100H150	464768	1.00	1100H200	464681	1.33	1100H300	464746	1.99
125.0	1250H075	464762	.57	1250H100	464643	.75	1250H150	464769	1.13	1250H200	464682	1.51	1250H300	464747	2.26
140.0	1400H075	464763	.63	1400H100	464644	.85	1400H150	464770	1.27	1400H200	464776	1.69	1400H300	464748	2.54
170.0	1700H075	464764	.77	1700H100	464765	1.03	1700H150	464771	1.54	1700H200	464777	2.05	1700H300	464749	3.08

**XH SERIES DYNA-SYNC BELTS**

7/8 in. Pitch (XH)

Belt Length	XH200 (2 in. Wide)			XH300 (3 in. Wide)			XH400 (4 in. Wide)		
	Belt No.	Part No.	Wt.	Belt No.	Part No.	Wt.	Belt No.	Part No.	Wt.
50.7	507XH200	464690	1.77	507XH300	464702	2.66	507XH400	464750	3.54
56.0	560XH200	464691	1.95	560XH300	464703	2.93	560XH400	464751	3.91
63.0	630XH200	464692	2.20	630XH300	464704	3.30	630XH400	464752	4.40
70.0	700XH200	464693	2.33	700XH300	464705	3.49	700XH400	464753	4.65
77.0	770XH200	464694	2.69	770XH300	464706	3.49	770XH400	464754	4.65
84.0	840XH200	464695	2.79	840XH300	464707	4.19	840XH400	464755	5.58
98.0	980XH200	464696	3.42	980XH300	464708	5.13	980XH400	464756	6.84
112.0	1120XH200	464697	3.72	1120XH300	464709	5.58	1120XH400	464757	7.45
126.0	1260XH200	464698	4.19	1260XH300	464710	6.28	1260XH400	464758	8.38
140.0	1400XH200	464699	4.65	1400XH300	464711	6.98	1400XH400	464782	9.31
155.0	1550XH200	464700	5.12	1550XH300	464712	7.68	1550XH400	464783	10.2
175.0	1750XH200	464701	5.82	1750XH300	464713	8.73	1750XH400	464784	10.6

**XXH SERIES DYNA-SYNC BELTS**

1-1/4 in. Pitch (XXH)

Belt Length	XXH200 (2 in. Wide)			XXH300 (3 in. Wide)			XXH400 (4 in. Wide)			XXH500 (5 in. Wide)		
	Belt No.	Part No.	Wt.	Belt No.	Part No.	Wt.	Belt No.	Part No.	Wt.	Belt No.	Part No.	Wt.
70.0	700XXH200	465301	3.23	700XXH300	465302	4.85	700XXH400	465303	6.47	700XXH500	465304	8.09
80.0	800XXH200	465305	3.70	800XXH300	465306	5.54	800XXH400	465307	7.39	800XXH500	465308	9.24
90.0	900XXH200	465309	4.38	900XXH300	465310	6.58	900XXH400	465311	8.77	900XXH500	465312	11.0
100.0	1000XXH200	465313	4.87	1000XXH300	465314	7.31	1000XXH400	465315	9.74	1000XXH500	465316	12.2
120.0	1200XXH200	465337	5.54	1200XXH300	465317	8.32	1200XXH400	465318	11.1	1200XXH500	465319	13.9
140.0	1400XXH200	465323	6.47	1400XXH300	465320	9.70	1400XXH400	465321	12.9	1400XXH500	465322	16.2
160.0	1600XXH200	465324	7.39	1600XXH300	465325	11.1	1600XXH400	465326	14.8	1600XXH500	465327	18.5
180.0	1800XXH200	465338	8.32	1800XXH300	465329	12.5	1800XXH400	465330	16.6	1800XXH500	465331	20.8

BUSHINGS & HUBS

SHEAVES

SYNCHRONOUS DRIVES

COUPLINGS

PART NUMBER INDEX

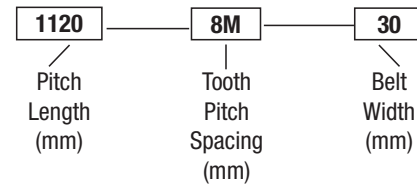


## QD HTD Sprockets

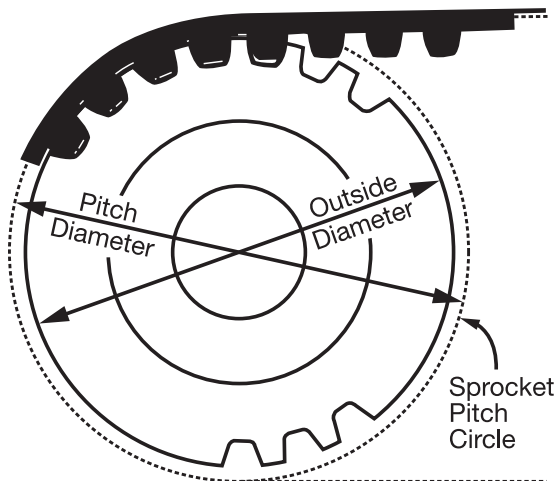
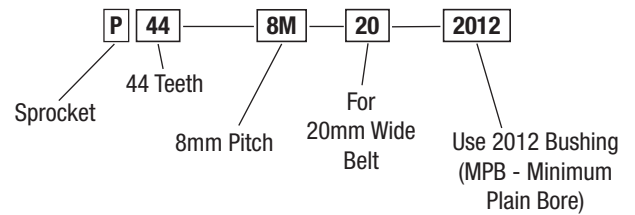


- Rated for capacity of standard HTD belts.
- Compatible for standard HTD belts.
- Can run HT250 belts at HTD rating.
- Use HT250 belts for quieter operation than with HTD belts.

### BELT NOMENCLATURE



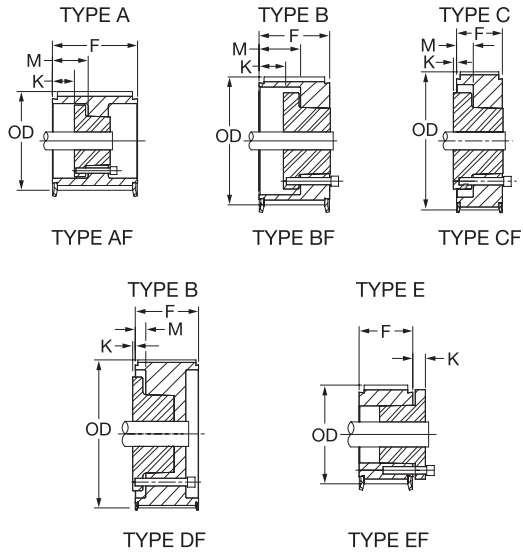
### SPROCKET NOMENCLATURE



### Belt Construction

- Tougher Chloroprene rubber resists tooth shear, increases load capacity.
- Strong, stretch-resistant tensile cords.
- Tough, wear-resistant nylon tooth facing keeps friction low, protects from wear.

## QD HTD Sprockets

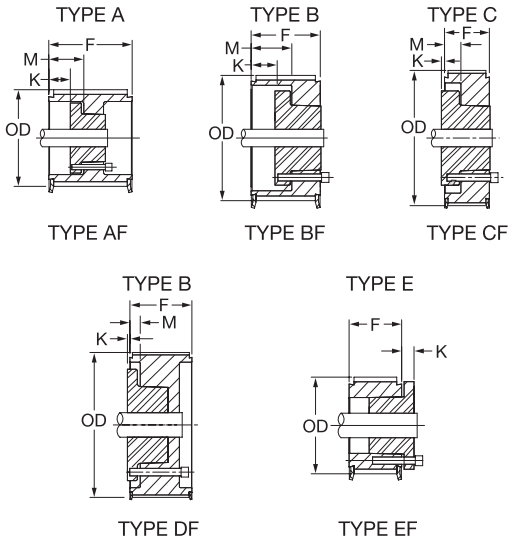


The figure following the sketch reference letter in the "Type" column indicates the construction of the sprocket (1 = Solid, 2 = Web, and 3 = Arms), and the letter "F" indicates that the sprocket has flanges.

### 8MM QD HTD SPROCKETS

Sprocket Number	Part No.	No. Of Teeth	Diameters			Type	Dimensions (in.)		Bore Sizes		Approx. Weight (lbs.)	Approx. Wr <sup>2</sup> (lb.-ft. <sup>2</sup> )
			P.D.	O.D.	Flange		M	K	Min.	Max.		
<b>8M-20</b> <span style="float:right;">F = 1.125 in.</span>												
P24-8M-20-JA	<b>110701</b>	24	2.406	2.352	2.756	E1F	0.00	0.51	1/2	1-1/4	0.8	0.0039
P26-8M-20-JA	<b>110702</b>	26	2.607	2.553	2.906	E1F	0.00	0.51	1/2	1-1/4	1.0	0.0059
P28-8M-20-QT	<b>110703</b>	28	2.807	2.759	3.207	E1F	0.00	1.42	3/8	1-1/2	1.1	0.0078
P30-8M-20-QT	<b>110704</b>	30	3.008	2.958	3.408	E1F	0.00	1.42	3/8	1-1/2	1.3	0.0110
P32-8M-20-QT	<b>110705</b>	32	3.208	3.156	3.608	E1F	0.00	1.42	3/8	1-1/2	1.6	0.0148
P34-8M-20-SH	<b>110706</b>	34	3.409	3.355	3.810	E1F	0.00	0.68	1/2	1-11/16	1.6	0.0181
P36-8M-20-SH	<b>110707</b>	36	3.609	3.555	4.009	C1F	0.31	0.37	1/2	1-11/16	1.7	0.0213
P38-8M-20-SH	<b>110708</b>	38	3.810	3.756	4.210	C1F	0.31	0.37	1/2	2	2.0	0.0272
P40-8M-20-SH	<b>110709</b>	40	4.010	3.956	4.410	C1F	0.31	0.37	1/2	2	2.3	0.0353
P44-8M-20-SDS	<b>110710</b>	44	4.411	4.357	4.764	C1F	0.38	0.32	1/2	2	2.6	0.0490
P48-8M-20-SDS	<b>110711</b>	48	4.812	4.758	5.212	C1F	0.38	0.32	1/2	2	3.4	0.0771
P56-8M-20-SDS	<b>110712</b>	56	5.614	5.560	6.014	C1F	0.38	0.32	1/2	2	4.6	0.1370
P64-8M-20-SDS	<b>110713</b>	64	6.416	6.362	6.716	C1F	0.38	0.32	1/2	2	6.8	0.2639
P72-8M-20-SDS	<b>110714</b>	72	7.218	7.164	7.500	C1F	0.38	0.32	1/2	2	8.8	0.4298
P80-8M-20-SDS	<b>110715</b>	80	8.020	7.966	8.420	C1F	0.38	0.32	1/2	2	11	0.6433
P90-8M-20-SDS	<b>110716</b>	90	9.023	8.969	-	C2	0.38	0.32	1/2	2	12	0.9369
<b>8M-30</b> <span style="float:right;">F = 1.5 in.</span>												
P28-8M-30-QT	<b>110723</b>	28	2.807	2.759	3.207	E1F	0.00	0.37	1/2	1-1/2	1.4	0.0104
P30-8M-30-QT	<b>110724</b>	30	3.008	2.958	3.408	E1F	0.00	0.37	3/8	1-1/2	1.8	0.0146
P32-8M-30-QT	<b>110725</b>	32	3.208	3.156	3.608	E1F	0.00	0.37	3/8	1-1/2	2.1	0.0197
P34-8M-30-SH	<b>110726</b>	34	3.409	3.355	3.810	B1F	0.69	0.01	1/2	1-11/16	1.6	0.0186
P36-8M-30-SH	<b>110727</b>	36	3.609	3.555	4.009	B1F	0.69	0.01	1/2	1-11/16	2.0	0.0259
P38-8M-30-SH	<b>110728</b>	38	3.810	3.756	4.210	B1F	0.69	0.01	1/2	1-11/16	2.3	0.0328
P40-8M-30-SH	<b>110729</b>	40	4.010	3.956	4.410	B1F	0.69	0.01	1/2	1-11/16	2.8	0.0435
P44-8M-30-SDS	<b>110730</b>	44	4.411	4.357	4.764	B1F	0.75	0.05	1/2	2	3.0	0.0595
P48-8M-30-SDS	<b>110731</b>	48	4.812	4.758	5.212	B1F	0.75	0.05	1/2	2	3.8	0.0880
P56-8M-30-SDS	<b>110732</b>	56	5.614	5.560	6.014	B1F	0.75	0.05	1/2	2	5.2	0.1633
P64-8M-30-SK	<b>110733</b>	64	6.416	6.362	6.716	C1F	0.25	0.64	1/2	2-5/8	8.6	0.3421
P72-8M-30-SK	<b>110734</b>	72	7.218	7.164	7.500	C1F	0.25	0.64	1/2	2-5/8	12	0.5710
P80-8M-30-SK	<b>110735</b>	80	8.020	7.966	8.420	C2	0.25	0.64	1/2	2-5/8	11	0.6487
P90-8M-30-SK	<b>110736</b>	90	9.023	8.969	-	C2	0.25	0.64	1/2	2-5/8	16	1.2862
P112-8M-30-SK	<b>110737</b>	112	11.229	11.175	-	C2	0.25	0.64	1/2	2-5/8	22	2.703

**QD HTD Sprockets**



The figure following the sketch reference letter in the “Type” column indicates the construction of the sprocket (1 = Solid, 2 = Web, and 3 = Arms), and the letter “F” indicates that the sprocket has flanges.

**8MM QD HTD SPROCKETS**

Sprocket Number	Part No.	No. Of Teeth	Diameters			Type	Dimensions (in.)		Bore Sizes		Approx. Weight (lbs.)	Approx. Wr <sup>2</sup> (lb.-ft. <sup>2</sup> )
			P.D.	O.D.	Flange		M	K	Min.	Max.		
<b>8M-50 F = 2.38 in.</b>												
P28-8M-50-JA	110738	28	2.807	2.759	3.207	A1F	0.81	0.30	1/2	1-1/4	1.7	0.0127
P30-8M-50-JA	110739	30	3.008	2.958	3.408	A1F	0.81	0.30	1/2	1-1/4	1.9	0.0172
P32-8M-50-QT	110742	32	3.208	3.156	3.608	A1F	0.81	0.30	3/8	1-1/2	2.1	0.0214
P34-8M-50-SH	110743	34	3.409	3.355	3.810	D1F	0.50	0.18	1/2	1-11/16	2.2	0.0263
P36-8M-50-SH	110744	36	3.609	3.555	4.009	D1F	0.50	0.18	1/2	1-11/16	2.8	0.0367
P38-8M-50-SH	110745	38	3.810	3.756	4.210	D1F	0.50	0.18	1/2	1-11/16	3.1	0.0462
P40-8M-50-SH	110746	40	4.010	3.956	4.410	D1F	0.50	0.18	1/2	1-11/16	3.9	0.0632
P44-8M-50-SD	110747	44	4.411	4.357	4.764	D1F	0.56	1.74	1/2	2	5.5	0.1068
P48-8M-50-SD	110748	48	4.812	4.758	5.212	D1F	0.56	1.74	1/2	2	7.2	0.1644
P56-8M-50-SK	110749	56	5.614	5.560	6.014	D1F	0.56	0.33	1/2	2-15/16	11	0.3314
P64-8M-50-SK	110750	64	6.416	6.362	6.716	D1F	0.56	0.33	1/2	2-15/16	10	0.4400
P72-8M-50-SK	110751	72	7.218	7.164	7.500	D1F	0.56	0.33	1/2	2-15/16	16	0.8488
P80-8M-50-SF	110752	80	8.020	7.966	8.420	D1F	0.56	0.38	1/2	2-15/16	20	1.335
P90-8M-50-SF	110753	90	9.023	8.969	-	D1	0.56	0.38	1/2	2-15/16	25	2.102c
P112-8M-50-SF	110754	112	11.229	11.175	-	D2	0.75	0.19	1/2	2-15/16	32	4.152
P144-8M-50-E	110755	144	14.437	14.383	-	D3	0.38	0.82	7/8	3-1/2	45	9.391
P192-8M-50-E	110756	192	19.249	19.195	-	D3	0.38	0.82	7/8	3-1/2	65	20.42
<b>8M-85 F = 3.75 in.</b>												
P34-8M-85-SH	110760	34	3.409	3.355	3.810	A1F	1.50	0.82	1/2	1-11/16	3.1	0.0376
P36-8M-85-SH	110761	36	3.609	3.555	4.009	A1F	1.50	0.82	1/2	1-11/16	3.9	0.0535
P38-8M-85-SH	110762	38	3.810	3.756	4.210	A1F	1.50	0.82	1/2	1-11/16	4.4	0.0671
P40-8M-85-SD	110763	40	4.010	3.956	4.410	A1F	1.25	0.55	1/2	2	4.9	0.0836
P44-8M-85-SD	110764	44	4.411	4.357	4.764	A1F	1.25	0.55	1/2	2	7.8	0.1589
P48-8M-85-SD	110765	48	4.812	4.758	5.212	A1F	1.25	0.55	1/2	2	11	0.2496
P56-8M-85-SK	110766	56	5.614	5.560	6.014	A1F	1.25	0.36	1/2	2-5/8	12	0.4191
P64-8M-85-SK	110767	64	6.42	6.362	6.716	A1F	1.25	0.36	1/2	2-5/8	17	0.7664
P72-8M-85-SF	110768	72	7.218	7.164	7.500	A1F	1.25	0.31	1/2	2-15/16	19	1.114
P80-8M-85-SF	110769	80	8.020	7.966	8.420	A1F	1.25	0.31	1/2	2-15/16	29	1.982
P90-8M-85-SF	110770	90	9.023	8.969	-	A1	1.25	0.31	1/2	2-15/16	26	2.253
P112-8M-85-SF	110771	112	11.229	11.175	-	A2	1.25	0.31	1/2	2-15/16	38	5.286
P144-8M-85-E	110772	144	14.437	14.383	-	D3	1.06	0.14	7/8	3-1/2	61	14.031
P192-8M-85-E	110773	192	19.249	19.195	-	D3	1.06	0.14	7/8	3-1/2	76	26.80

BUSHINGS & HUBS

SHEAVES

SYNCHRONOUS DRIVES

COUPLINGS

PART NUMBER INDEX

14mm QD HTD Sprockets

Sprocket Number	Part No.	No. Of Teeth	Diameters			Type	Dimensions (in.)		Bore Sizes		Approx. Weight (lbs.)	Approx. Wr <sup>2</sup> (lb.-ft.^2)
			P.D.	O.D.	Flange		M	K	Min.	Max.		
<b>14M-40</b>			<b>F = 2.13 in.</b>									
P28-14M-40-SK	110780	28	4.912	4.808	5.562	E1F	0.00	0.89	0.5	2-5/8	5.8	0.1301
P29-14M-40-SK	110781	29	5.088	4.983	5.562	E1F	0.00	0.89	0.5	2-5/8	6.5	0.1561
P30-14M-40-SK	110782	30	5.263	5.157	5.763	D1F	0.44	0.45	0.5	2-5/8	6.2	0.1629
P32-14M-40-SK	110783	32	5.614	5.507	6.114	D1F	0.44	0.45	0.5	2-5/8	7.8	0.2310
P34-14M-40-SK	110784	34	5.965	5.858	6.465	D1F	0.44	0.45	0.5	2-5/8	9.4	0.3113
P36-14M-40-SF	110785	36	6.316	6.208	6.816	D1F	0.44	0.50	0.5	2-15/16	9.6	0.3693
P38-14M-40-SF	110786	38	6.667	6.559	7.167	D1F	0.44	0.50	0.5	2-15/16	12	0.5080
P40-14M-40-SF	110787	40	7.018	6.909	7.518	D1F	0.44	0.50	0.5	2-15/16	13	0.6096
P44-14M-40-E	110788	44	7.720	7.610	8.395	D1F	0.38	0.82	0.875	3-1/2	16	0.9305
P48-14M-40-E	110789	48	8.421	8.311	8.941	D1F	0.38	0.82	0.875	3-1/2	20	1.360
P52-14M-40-E	110790	52	9.123	9.013	9.687	D1F	0.25	0.95	0.875	3-1/2	25	1.991
P56-14M-40-E	110791	56	9.825	9.715	10.355	D1F	0.25	0.95	0.875	3-1/2	29	2.583
P60-14M-40-E	110792	60	10.527	10.417	11.067	D1F	0.44	0.76	0.875	3-1/2	34	3.494
P64-14M-40-E	110793	64	11.229	11.119	11.750	D1F	0.44	0.76	0.875	3-1/2	39	4.489
P68-14M-40-E	110794	68	11.930	11.820	12.500	D2F	0.44	0.76	0.875	3-1/2	34	4.368
P72-14M-40-E	110795	72	12.632	12.522	13.066	D2F	0.31	0.89	0.875	3-1/2	40	5.811
P80-14M-40-E	110796	80	14.036	13.926	14.620	D3F	0.44	0.76	0.875	3-1/2	39	7.005
P90-14M-40-E	110797	90	15.790	15.680	-	D3	0.25	0.95	0.875	3-1/2	40	8.633
P112-14M-40-E	110798	112	19.650	19.540	-	D3	0.25	0.95	0.875	3-1/2	67	21.62
P144-14M-40-E	110799	144	25.264	25.155	-	D3	0.25	0.95	0.875	3-1/2	66	38.99
P168-14M-40-F	110759	168	29.475	29.265	-	C3	0.37	1.79	1	4	91	74.83
P192-14M-40-F	110774	192	33.686	33.576	-	C3	0.37	1.79	1	4	108	117.1
<b>14M-55</b>			<b>F = 2.75 in.</b>									
P28-14M-55-SK	110805	28	4.912	4.808	5.562	E1F	0.00	0.89	0.5	2-5/8	7.3	0.1657
P29-14M-55-SK	110806	29	5.088	4.983	5.562	E1F	0.00	0.89	0.5	2-5/8	8.2	0.1991
P30-14M-55-SK	110807	30	5.263	5.157	5.763	D1F	0.75	0.14	0.5	2-5/8	7.5	0.1989
P32-14M-55-SK	110808	32	5.614	5.507	6.114	D1F	0.75	0.14	0.5	2-5/8	9.5	0.2868
P34-14M-55-SK	110809	34	5.965	5.858	6.465	D1F	0.75	0.14	0.5	2-5/8	11	0.3851
P36-14M-55-SF	110810	36	6.316	6.208	6.816	D1F	0.75	0.19	0.5	2-15/16	11	0.4515
P38-14M-55-SF	110811	38	6.667	6.559	7.167	D1F	0.75	0.19	0.5	2-15/16	14	0.6139
P40-14M-55-SF	110812	40	7.018	6.909	7.518	D1F	0.75	0.19	0.5	2-15/16	15	0.7440
P44-14M-55-E	110813	44	7.720	7.610	8.395	D1F	0.56	0.64	0.875	3-1/2	19	1.136
P48-14M-55-E	110814	48	8.421	8.311	8.941	D1F	0.56	0.64	0.875	3-1/2	23	1.641
P52-14M-55-E	110815	52	9.123	9.013	9.687	D1F	0.56	0.64	0.875	3-1/2	30	2.454
P56-14M-55-E	110816	56	9.825	9.715	10.355	D1F	0.56	0.64	0.875	3-1/2	32	3.030
P60-14M-55-E	110817	60	10.527	10.417	11.067	D1F	0.56	0.64	0.875	3-1/2	38	4.038
P64-14M-55-F	110818	64	11.229	11.119	11.750	D1F	0.13	1.29	1	4	54	6.267
P68-14M-55-F	110819	68	11.930	11.820	12.500	D1F	0.13	1.29	1	4	62	8.029
P72-14M-55-F	110820	72	12.632	12.522	13.066	D1F	0.13	1.29	1	4	71	10.32
P80-14M-55-F	110821	80	14.036	13.926	14.620	D1F	0.13	1.29	1	4	89	15.76
P90-14M-55-F	110822	90	15.790	15.680	-	D2	0.13	1.29	1	4	61	12.67
P112-14M-55-F	110823	112	19.650	19.540	-	D3	0.13	1.29	1	4	80	25.72
P144-14M-55-F	110824	144	25.264	25.155	-	D3	0.13	1.29	1	4	90	55.45
P168-14M-55-F	110825	168	29.475	29.265	-	D3	0.13	1.29	1	4	111	95.26
P192-14M-55-F	110826	192	33.686	33.576	-	D3	0.13	1.29	1	4	134	149.7
P216-14M-55-F	110827	216	37.896	37.786	-	D3	0.13	1.29	1	4	159	223.9
<b>14M-85</b>			<b>F = 4 in.</b>									
P30-14M-85-SK	110832	30	5.263	5.157	5.763	A1F	1.38	0.49	1/2	2-11/16	10	0.2715
P32-14M-85-SK	110833	32	5.614	5.507	6.114	A1F	1.38	0.49	1/2	2-5/8	13	0.3993
P34-14M-85-SK	110834	34	5.965	5.858	6.465	A1F	1.38	0.49	1/2	2-5/8	15	0.5387
P36-14M-85-SF	110835	36	6.316	6.208	6.816	A1F	1.5	0.56	1/2	2-15/16	15	0.6171
P38-14M-85-SF	110836	38	6.667	6.559	7.167	A1F	1.38	0.44	1/2	2-15/16	19	0.8559
P40-14M-85-SF	110837	40	7.018	6.909	7.518	A1F	1.38	0.44	1/2	2-15/16	22	1.097
P44-14M-85-E	110838	44	7.720	7.610	8.395	D1F	1.19	0.01	7/8	3-1/2	23	1.390
P48-14M-85-E	110839	48	8.421	8.311	8.941	D1F	1.19	0.01	7/8	3-1/2	29	2.133
P52-14M-85-E	110840	52	9.123	9.013	9.687	D1F	1.19	0.01	7/8	3-1/2	35	2.972
P56-14M-85-F	110841	56	9.825	9.715	10.355	D1F	0.75	0.67	1	4	46	4.426
P60-14M-85-F	110842	60	10.527	10.417	11.067	D1F	0.75	0.67	1	4	57	6.259
P64-14M-85-F	110843	64	11.229	11.119	11.750	D1F	0.75	0.67	1	4	64	7.866
P68-14M-85-F	110852	68	11.930	11.820	12.500	D1F	0.75	0.67	1	4	75	10.40
P72-14M-85-F	110844	72	12.632	12.522	13.066	D1F	0.75	0.67	1	4	89	13.74
P80-14M-85-F	110845	80	14.036	13.926	14.620	D1F	0.75	0.67	1	4	100	18.65
P90-14M-85-F	110846	90	15.790	15.680	-	D3	0.75	0.67	1	4	57	12.19
P112-14M-85-F	110847	112	19.650	19.540	-	D3	0.75	0.67	1	4	94	32.92
P144-14M-85-F	110848	144	25.264	25.155	-	D3	0.75	0.67	1	4	129	73.66
P168-14M-85-F	110849	168	29.475	29.265	-	D3	0.69	0.73	1	4	144	126.7
P192-14M-85-F	110850	192	33.686	33.576	-	D3	0.69	0.73	1	4	178	203.8
P216-14M-85-F	110851	216	37.896	37.786	-	D3	0.69	0.73	1	4	216	315.6

BUSHINGS & HUBS

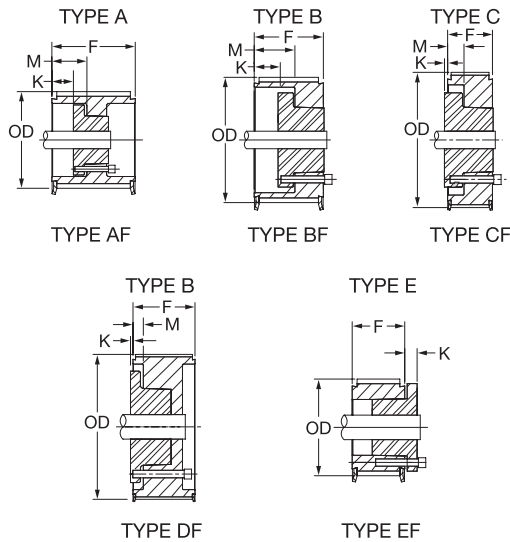
SHEAVES

SYNCHRONOUS DRIVES

COUPLINGS

PART NUMBER INDEX

**QD HTD Sprockets**



The figure following the sketch reference letter in the "Type" column indicates the construction of the sprocket (1 = Solid, 2 = Web, and 3 = Arms), and the letter "F" indicates that the sprocket has flanges.

**14MM QD HTD SPROCKETS**

Sprocket Number	Part No.	No. Of Teeth	Diameters			Type	Dimensions (in.)		Bore Sizes		Approx. Weight (lbs.)	Approx. W <sub>r</sub> <sup>2</sup> (lb.-ft. <sup>2</sup> )
			P.D.	O.D.	Flange		M	K	Min.	Max.		
<b>14M-115</b>			<b>F = 5.25 in.</b>									
P30-14M-115-SK	<b>110857</b>	30	5.263	5.157	5.763	A1F	2.00	1.11	1/2	2-5/8	12	0.3441
P32-14M-115-SK	<b>110858</b>	32	5.614	5.507	6.114	A1F	2.00	1.11	1/2	2-5/8	16	0.5084
P34-14M-115-SK	<b>110859</b>	34	5.965	5.858	6.465	A1F	2.00	1.11	1/2	2-5/8	20	0.7035
P36-14M-115-SF	<b>110860</b>	36	6.316	6.208	6.816	A1F	2.00	1.06	1/2	2-15/16	19	0.7834
P38-14M-115-SF	<b>110861</b>	38	6.667	6.559	7.167	A1F	2.00	1.06	1/2	2-15/16	22	1.000
P40-14M-115-SF	<b>110862</b>	40	7.018	6.909	7.518	A1F	2.00	1.06	1/2	2-15/16	26	1.306
P44-14M-115-E	<b>110863</b>	44	7.720	7.610	8.395	A1F	2.00	0.80	7/8	3-1/2	27	1.717
P48-14M-115-E	<b>110864</b>	48	8.421	8.311	8.941	A1F	1.94	0.74	7/8	3-1/2	36	2.657
P52-14M-115-F	<b>110865</b>	52	9.123	9.013	9.687	D1F	1.38	0.05	1	4	48	4.133
P56-14M-115-F	<b>110866</b>	56	9.825	9.715	10.355	D1F	1.38	0.05	1	4	54	5.326
P60-14M-115-F	<b>110867</b>	60	10.527	10.417	11.067	D1F	1.38	0.05	1	4	63	7.105
P64-14M-115-J	<b>110868</b>	64	11.229	11.119	11.750	D1F	1.00	0.20	1-1/2	4-1/2	81	10.377
P68-14M-115-J	<b>110869</b>	68	11.930	11.820	12.500	D1F	1.00	0.20	1-1/2	4-1/2	90	12.89
P72-14M-115-J	<b>110870</b>	72	12.632	12.522	13.066	D1F	1.00	0.20	1-1/2	4-1/2	101	16.06
P80-14M-115-J	<b>110871</b>	80	14.036	13.926	14.620	D2F	1.00	0.20	1-1/2	4-1/2	108	21.04
P90-14M-115-J	<b>110872</b>	90	15.790	15.680	-	D2	1.00	0.20	1-1/2	4-1/2	121	29.10
P112-14M-115-J	<b>110873</b>	112	19.650	19.540	-	D3	1.00	0.20	1-1/2	4-1/2	117	46.65
P144-14M-115-J	<b>110874</b>	144	25.264	25.155	-	D3	1.06	0.14	1-1/2	4-1/2	157	113.9
P168-14M-115-J	<b>110875</b>	168	29.475	29.265	-	D3	1.06	0.14	1-1/2	4-1/2	198	209.1
P192-14M-115-J	<b>110876</b>	192	33.686	33.576	-	D3	1.06	0.14	1-1/2	4-1/2	240	265.8
P216-14M-115-J	<b>110877</b>	216	37.896	37.786	-	D3	1.06	0.14	1-1/2	4-1/2	284	401.7
<b>14M-170</b>			<b>F = 7.38 in.</b>									
P44-14M-170-E	<b>110883</b>	44	7.720	7.610	8.395	A1F	2.88	1.68	7/8	3-1/2	35	2.273
P48-14M-170-E	<b>110884</b>	48	8.421	8.311	8.941	A1F	2.88	1.68	7/8	3-1/2	46	3.550
P52-14M-170-F	<b>110885</b>	52	9.123	9.013	9.687	A1F	2.44	1.02	1	4	61	5.430
P56-14M-170-F	<b>110886</b>	56	9.825	9.715	10.355	A1F	2.44	1.02	1	4	67	6.860
P60-14M-170-J	<b>110887</b>	60	10.527	10.417	11.067	A1F	2.28	1.08	1-1/2	4-1/2	81	9.546
P64-14M-170-J	<b>110888</b>	64	11.229	11.119	11.750	A1F	2.13	0.93	1-1/2	4-1/2	100	13.31
P68-14M-170-J	<b>110897</b>	68	11.930	11.820	12.500	A1F	2.13	0.93	1-1/2	4-1/2	108	16.08
P72-14M-170-J	<b>110889</b>	72	12.632	12.522	13.066	A1F	2.13	0.93	1-1/2	4-1/2	119	19.72
P80-14M-170-J	<b>110890</b>	80	14.036	13.926	14.620	A2F	2.13	0.93	1-1/2	4-1/2	129	26.66
P90-14M-170-J	<b>110891</b>	90	15.790	15.680	-	A2	2.13	0.93	1-1/2	4-1/2	163	41.42
P112-14M-170-M	<b>110892</b>	112	19.650	19.540	-	D3	1.44	0.30	2	5-1/2	188	63.86
P144-14M-170-M	<b>110893</b>	144	25.264	25.155	-	D3	1.44	0.30	2	5-1/2	240	146.9
P168-14M-170-M	<b>110894</b>	168	29.475	29.265	-	D3	1.44	0.30	2	5-1/2	279	247.5
P192-14M-170-M	<b>110895</b>	192	33.686	33.576	-	D3	1.44	0.30	2	5-1/2	541	746.7
P216-14M-170-M	<b>110896</b>	216	37.896	37.786	-	D3	1.44	0.30	2	5-1/2	443	774.6

BUSHINGS & HUBS

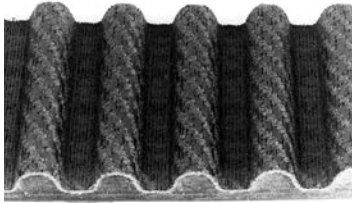
SHEAVES

SYNCHRONOUS DRIVES

COUPLINGS

PART NUMBER INDEX

## Dodge HT Belts

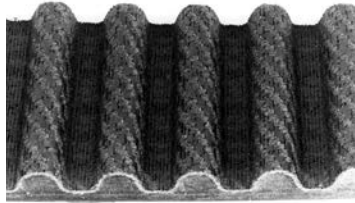


Note: Belt length is in millimeters  
 To convert to inches, divide by 25.4  
 Example: 2600-8M-30 belt size  
 $2600 \div 25.4 = 102.36$  inches belt length

### 8 MM PITCH HT BELTS

20mm Wide			30mm Wide			50mm Wide			85mm Wide		
Description	Part No.	Wt.	Description	Part No.	Wt.	Description	Part No.	Wt.	Description	Part No.	Wt.
384-8M-20	146400	0.12	384-8M-30	146433	0.19	384-8M-50	146466	0.33	384-8M-85	146499	0.55
480-8M-20	146401	0.13	480-8M-30	146434	0.20	480-8M-50	146467	0.34	480-8M-85	146500	0.57
560-8M-20	146402	0.16	560-8M-30	146435	0.23	560-8M-50	146468	0.39	560-8M-85	146501	0.66
600-8M-20	146403	0.17	600-8M-30	146436	0.25	600-8M-50	146469	0.42	600-8M-85	146502	0.71
640-8M-20	146404	0.18	640-8M-30	146437	0.27	640-8M-50	146470	0.45	640-8M-85	146503	0.76
720-8M-20	146405	0.20	720-8M-30	146438	0.30	720-8M-50	146471	0.50	720-8M-85	146504	0.85
800-8M-20	146406	0.22	800-8M-30	146439	0.33	800-8M-50	146472	0.56	800-8M-85	146505	0.95
840-8M-20	146407	0.23	840-8M-30	146440	0.35	840-8M-50	146473	0.59	840-8M-85	146505	1.00
880-8M-20	146408	0.25	880-8M-30	146441	0.37	880-8M-50	146474	0.61	880-8M-85	146507	1.04
920-8M-20	146409	0.26	920-8M-30	146442	0.39	920-8M-50	146475	0.64	920-8M-85	146508	1.09
960-8M-20	146410	0.27	960-8M-30	146443	0.40	960-8M-50	146476	0.67	960-8M-85	146509	1.14
1040-8M-20	146411	0.29	1040-8M-30	146444	0.43	1040-8M-50	146477	0.74	1040-8M-85	146510	1.23
1064-8M-20	146412	0.30	1064-8M-30	146445	0.45	1064-8M-50	146478	0.76	1064-8M-85	146511	1.27
1120-8M-20	146413	0.31	1120-8M-30	146446	0.47	1120-8M-50	146479	0.78	1120-8M-85	146512	1.33
1160-8M-20	146414	0.32	1160-8M-30	146447	0.48	1160-8M-50	146480	0.8	1160-8M-85	146513	1.28
1200-8M-20	146415	0.34	1200-8M-30	146448	0.50	1200-8M-50	146481	0.84	1200-8M-85	146514	1.42
1224-8M-20	146416	0.35	1224-8M-30	146449	0.51	1224-8M-50	146482	0.87	1224-8M-85	146515	1.47
1280-8M-20	146417	0.36	1280-8M-30	146450	0.53	1280-8M-50	146483	0.89	1280-8M-85	146516	1.52
1440-8M-20	146418	0.40	1440-8M-30	146451	0.60	1440-8M-50	146484	1.01	1440-8M-85	146517	1.71
1512-8M-20	146419	0.42	1512-8M-30	146452	0.62	1512-8M-50	146485	1.05	1512-8M-85	146518	1.79
1584-8M-20	146420	0.43	1584-8M-30	146453	0.65	1584-8M-50	146486	1.09	1584-8M-85	146519	1.82
1600-8M-20	146421	0.45	1600-8M-30	146454	0.67	1600-8M-50	146487	1.11	1600-8M-85	146520	1.90
1760-8M-20	146422	0.49	1760-8M-30	146455	0.73	1760-8M-50	146488	1.23	1760-8M-85	146521	2.08
1800-8M-20	146423	0.50	1800-8M-30	146456	0.75	1800-8M-50	146489	1.25	1800-8M-85	146522	2.13
2000-8M-20	146424	0.56	2000-8M-30	146457	0.83	2000-8M-50	146490	1.39	2000-8M-85	146523	2.37
2200-8M-20	146425	0.60	2200-8M-30	146458	0.90	2200-8M-50	146491	1.50	2200-8M-85	146524	2.55
2400-8M-20	146426	0.67	2400-8M-30	146459	1.00	2400-8M-50	146492	1.67	2400-8M-85	146525	2.84
2600-8M-20	146427	0.79	2600-8M-30	146460	1.09	2600-8M-50	146493	1.81	2600-8M-85	146526	3.09
2800-8M-20	146428	0.80	2800-8M-30	146461	1.17	2800-8M-50	146494	1.95	2800-8M-85	146527	3.32
3048-8M-20	146429	0.85	3048-8M-30	146462	1.27	3048-8M-50	146495	2.00	3048-8M-85	146528	3.62
3280-8M-20	146430	0.92	3280-8M-30	146463	1.37	3280-8M-50	146496	2.29	3280-8M-85	146529	3.89
3600-8M-20	146431	1.01	3600-8M-30	146464	1.51	3600-8M-50	146497	2.51	3600-8M-85	146530	4.27
4400-8M-20	146432	1.23	4400-8M-30	146465	1.84	4400-8M-50	146498	3.07	4400-8M-85	146531	5.22

## Dodge HT Belts



Note: Belt length is in millimeters  
 To convert to inches, divide by 25.4  
 Example: 2600-8M-30 belt size  
 $2600 \div 25.4 = 102.36$  inches belt length

### 14 MM PITCH HT BELTS

40mm Wide			55mm Wide			85mm Wide			115mm Wide			170mm Wide		
Description	Part No.	Wt.	Description	Part No.	Wt.	Description	Part No.	Wt.	Description	Part No.	Wt.	Description	Part No.	Wt.
966-14M-40	146532	0.84	966-14M-55	146554	1.15	966-14M-85	146576	1.78	966-14M-115	146598	2.41	966-14M-170	146620	3.56
1190-14M-40	146533	1.03	1190-14M-55	146555	1.42	1190-14M-85	146577	2.20	1190-14M-115	146599	2.98	1190-14M-170	146621	4.39
1400-14M-40	146534	1.21	1400-14M-55	146556	1.67	1400-14M-85	146578	2.58	1400-14M-115	146600	3.50	1400-14M-170	146622	5.16
1610-14M-40	146535	1.40	1610-14M-55	146557	1.92	1610-14M-85	146579	2.97	1610-14M-115	146601	4.02	1610-14M-170	146623	5.95
1778-14M-40	146536	1.54	1778-14M-55	146558	2.13	1778-14M-85	146580	3.28	1778-14M-115	146602	4.45	1778-14M-170	146624	6.56
1890-14M-40	146537	1.64	1890-14M-55	146559	2.26	1890-14M-85	146581	3.49	1890-14M-115	146603	4.73	1890-14M-170	146625	6.97
2100-14M-40	146538	1.82	2100-14M-55	146560	2.51	2100-14M-85	146582	3.88	2100-14M-115	146604	5.25	2100-14M-170	146626	7.75
2310-14M-40	146539	2.00	2310-14M-55	146561	2.76	2310-14M-85	146583	4.26	2310-14M-115	146605	5.77	2310-14M-170	146627	8.53
2450-14M-40	146540	2.13	2450-14M-55	146562	2.93	2450-14M-85	146584	4.52	2450-14M-115	146606	6.13	2450-14M-170	146628	9.04
2590-14M-40	146541	2.25	2590-14M-55	146563	3.10	2590-14M-85	146585	4.78	2590-14M-115	146607	6.47	2590-14M-170	146629	9.55
2800-14M-40	146542	2.43	2800-14M-55	146564	3.34	2800-14M-85	146586	5.17	2800-14M-115	146608	7.00	2800-14M-170	146630	10.33
3150-14M-40	146543	2.73	3150-14M-55	146565	3.77	3150-14M-85	146587	5.82	3150-14M-115	146609	7.87	3150-14M-170	146631	11.62
3360-14M-40	146544	2.91	3360-14M-55	146566	4.02	3360-14M-85	146588	6.20	3360-14M-115	146610	8.39	3360-14M-170	146631	12.39
3500-14M-40	146545	3.03	3500-14M-55	146567	4.19	3500-14M-85	146589	6.46	3500-14M-115	146611	8.75	3500-14M-170	146633	12.90
3850-14M-40	146546	3.33	3850-14M-55	146568	4.60	3850-14M-85	146590	7.10	3850-14M-115	146612	9.62	3850-14M-170	146634	14.20
4326-14M-40	146547	3.74	4326-14M-55	146569	5.17	4326-14M-85	146591	8.00	4326-14M-115	146613	10.80	4326-14M-170	146635	15.96
4578-14M-40	146548	3.96	4578-14M-55	146570	5.48	4578-14M-85	146592	8.45	4578-14M-115	146614	11.42	4578-14M-170	146636	16.90
4956-14M-40	146549	4.29	4956-14M-55	146571	5.90	4956-14M-85	146593	9.11	4956-14M-115	146615	12.33	4956-14M-170	146637	18.23
5320-14M-40	146550	4.61	5320-14M-55	146572	6.33	5320-14M-85	146594	9.28	5320-14M-115	146616	13.24	5320-14M-170	146638	19.57
5740-14M-40	146551	4.97	5740-14M-55	146573	6.83	5740-14M-85	146595	10.55	5740-14M-115	146617	14.29	5740-14M-170	146639	25.00
6160-14M-40	146552	5.33	6160-14M-55	146574	7.33	6160-14M-85	146596	11.32	6160-14M-115	146618	15.34	6160-14M-170	146640	22.67
6860-14M-40	146553	5.94	6860-14M-55	146575	8.16	6860-14M-85	146597	12.61	6860-14M-115	146619	17.08	6860-14M-170	146641	25.25

# Overhung Load Calculations

Overhung load is an important consideration for drive design. Motor and reducer bearings are rated for specific load capacities to achieve calculated life. If the drive design is such that bearing loads are exceeded, life will be proportionally reduced. Likewise, if the drive exerts a lesser load on the bearings, life will be extended. Needless to say, drive design that keeps bearing loads below ratings can pay big dividends.

**Belt Pull:** The basis for overhung load calculation is belt pull. Belt pull is the result of torque being transmitted when the belt exerts a pull on the sprocket diameter.

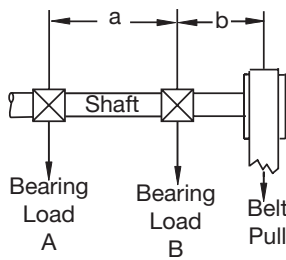
**Example:** 5 horsepower at 200 RPM is 1,575 inch - pounds of torque. If a 6 inch diameter sprocket is used, (3 inch radius),  $1,575/3 = 525$  pounds effective belt pull is required. Note that if a larger diameter sprocket is used, belt pull is reduced accordingly.

Belt pull can be calculated using the following formula:

$$\text{Belt Pull (lbs.)} = \frac{126,000 \times \text{DHP} \times F}{\text{RPM} \times \text{PD}}$$

Where: DHP = Design Horsepower  
 F = Drive Factor (1.3 for sync. belt)  
 RPM = Shaft RPM  
 PD = Pitch Diameter of Sprocket

**Bearing Load:** Belt pull translates into bearing load and is greatly affected by the location of the sprocket on the shaft. Fig. 1 shows an example of what happens as the distance between the centerline of belt pull and the adjacent bearing is extended.



Overhung Sheave

$$\text{Load at B, lbs.} = \frac{\text{Belt Pull} \times (a + b)}{a}$$

FIG. 1

a	b	Belt Pull	Bearing Load "B"
10 in.	1 in.	500 lbs.	550 lbs.
10 in.	5 in.	500 lbs.	750 lbs.

Now consider the same situation for a motor or gearbox. Referring to Fig. 2, it should be obvious that the HT/HTD sprocket should be mounted as close as possible to the face of the gearbox.

As the distance between the gearbox face and HT/HTD sprocket increases, the bearing load is also increased, which leads to a reduction in bearing life.

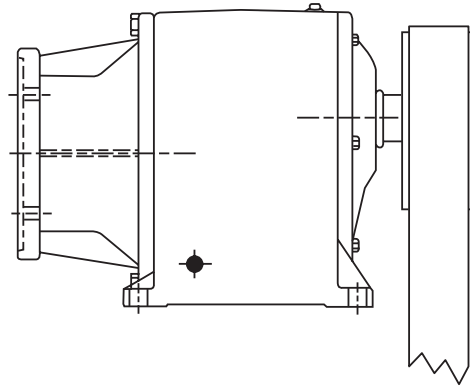


Fig. 2

Another warning from gearbox manufacturers is that the centerline of belt pull should not extend beyond the end of the shaft. Given a choice of a small diameter, wide face-width drive design, or a larger diameter, narrower face-width alternative, the latter would be preferable if bearing life is an important consideration.

### Drive Design Considerations

For any given application, there are usually several possible drive alternatives. In some cases, the selection with the smallest diameter sprockets might be the least expensive. As can be seen from the previous discussion, this alternative could be a bad choice. Smaller diameter sprockets lead to higher belt pull; their greater width is also more sensitive to misalignment.



## HT/HTD Drive Installation

### Sprocket Installation

1. Thoroughly inspect the bore of the sprocket and the tapered surface of the bushing. Any paint, dirt, oil or grease must be removed.
2. Assemble bushing into sprocket. Loosely insert the screws into assembly. At least one sprocket must have flanges.
3. With key in keyseat of shaft, slide sprocket to its desired position with screw heads to the outside. If it is hard to slide the bushing onto the shaft, check shaft for burrs, etc.
4. Line up assembly so as not to misalign belts and tighten screws evenly and progressively. Apply the recommended torque to screws.

### Sprocket Alignment

HT/HTD sprocket alignment and parallelism of the shafts are very important. Proper alignment helps to equalize the load across the entire belt width, thereby reducing wear and extending belt life.

Place a straightedge against the outside edge of the sprockets and move sprockets until the straightedge touches the two outside and two inside edges of the sprockets. The straightedge should cross the sprockets as close to the shafts as possible. A string can be used if a straightedge is not available. Remember the string should contact at four points as explained above. (See illustration on page 120.)

After aligning the sprockets, check the rigidity of the supporting framework. Shafts should be well supported to prevent distortion and a resulting change in the center distance under load. Do not use spring-loaded or weighted idlers. Idler sprockets or pulleys must be locked into position after adjusting belt tension.

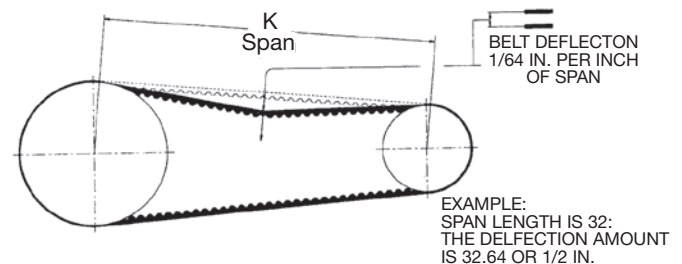
### Belt Installation & Tensioning

Do not pry or otherwise force the belt onto the sprockets, as this can result in permanent damage to the belt. Reduce the center distance between the pulleys so that the belt can be easily installed.

HT250 drives must be properly tensioned. If the belt is too loose, it may jump teeth when heavier loads are applied. If the belt is too tight, belt life will suffer, and bearings will be unnecessarily overloaded. Improper tension can result in excessive drive noise.

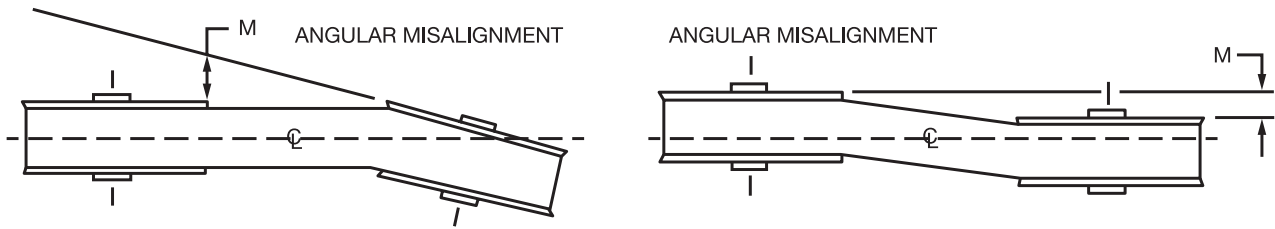
Tensioning procedure: First, measure the span length and calculate the deflection distance of 1/64, per inch span (see illustration).

Use the formula method on page 120 to calculate recommended deflection forces.



Apply a force (from the table) at the center of the span. Measure the deflection with this force applied. Move the center distance until the proper deflection is obtained.

## Drive Alignment



Good tracking of synchronous belts on their sprockets depends upon alignment to within 1/4 degree. This translates to a maximum “M” dimension of 0.05 in. per foot center distance.

## Drive Tensioning

### Formula Method

The formula method for determining belt tension may be used for greater accuracy, or for applications that fall out of guidelines given for the Simplified Method on page 119.

#### Step 1. Calculate Min. Installation Tension:

**Formula 1:**  $T = \frac{20 (HP)}{V} + mV^2$

Where: HP = Horsepower  
 $V = \frac{\text{Belt Velocity (in FPM)}}{1000}$

$m = \text{Value in Table 1}$   
 Belt Velocity = PD x RPM x .262  
 (PD = Pitch Dia. in inches)

**\*Important!** If formula calculation for “T” is less than “Min T. Value” (Table 1) use the “Min T. Value” for T. Always use the greater T value: i.e. from T Formula 1 or Table 1.

#### Step 2. Calculate Deflection Forces:

**Formula 2:**  $\text{Min Force} = \frac{1.0T + (K/L)Y (\text{lbs.})}{16}$

**Formula 3:**  $\text{Max Force} = \frac{1.1T + (K/L)Y (\text{lbs.})}{16}$

Note: For used belt, use 0.7T to 0.8T instead of the 1.0T and 1.1T for new belts.  
 T = Static tension, lbs.  
 K = Span length, inches  
 L = Belt length, inches  
 Y = Factor from Table 1

**Step 3.** Adjust tension per Simplified Method Procedure on page 119 using deflection forces from Step 2.

**TABLE 1**

Belt		Factors		Min. T Value*
Pitch	Width	m	Y	
5mm	15mm	0.28	24.9	14.1
5mm	25mm	0.47	41.5	23.4
8mm	20mm	0.58	34.2	18.5
8mm	30mm	0.88	51.3	30.0
8mm	50mm	1.46	85.5	52.0
8mm	85mm	2.45	145.3	94.5
14mm	40mm	1.78	93.0	76.5
14mm	55mm	2.44	127.9	120.0
14mm	85mm	3.77	197.7	205.5
14mm	115mm	5.11	267.5	291.0
14mm	170mm	7.55	395.4	447.0
20mm	115mm	7.24	367.0	391.5
20mm	170mm	10.71	542.5	603.0
20mm	230mm	14.49	734.0	834.0
20mm	290mm	18.27	925.4	1065.0
20mm	340mm	21.42	1085.0	1257.5

## The Dodge Coupling Family:

UNIQUELY ENGINEERED TO DAMP VIBRATION, ACCOMMODATE SHAFT MISALIGNMENT, AND ELIMINATE UNEXPECTED DOWNTIME.

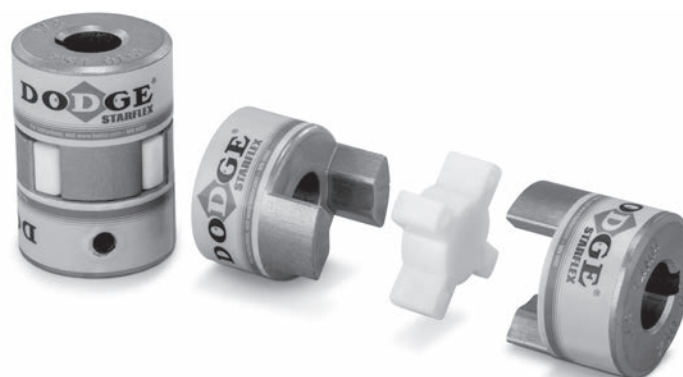
Baldor has manufactured couplings for over 100 years and has earned a reputation for developing innovative products that lower customers' total costs of ownership.

The Dodge coupling product line can offer a solution to almost any customer need. With a wide elastomeric coupling product offering featuring StarFlex jaw, D-Flex sleeve, and Para-Flex® tire style couplings, Baldor can provide a coupling with the potential to increase torque capacity, accommodate shaft misalignment, extend driven equipment life, and put an end to unexpected downtime.



D-FLEX

PARA-FLEX



STARFLEX

## Coupling Selection Methods:

### StarFlex, D-Flex, & Para-Flex® HP/100 Method

**Step 1:** Obtain required service factor from Service Factor tables on pages 124 and 125.

**Step 2:** Determine the application HP per 100 RPM

$$\text{HP} / 100 \text{ RPM} = \frac{\text{Motor HP} \times 100 \times \text{Service Factor}}{\text{Coupling RPM}}$$

**Step 3:** From rating tables, find a rating equal to or greater than the HP/100 RPM. Note coupling size from left hand column.

**Step 4:** Check maximum speed (RPM) capability.

**Step 5:** Check maximum bore capacity. If maximum bore is exceeded, move to larger size with adequate bore-but be sure maximum speed of coupling is not exceeded

### Torque Method:

**Step 1:** Obtain required service factor from Service Factor tables on pages 124 and 125.

**Step 2:** Determine torque required for application.

$$\text{Torque (in. - lbs.)} = \frac{63025 \times \text{HP} \times \text{SF}}{\text{Coupling RPM}}$$

**Step 3:** From rating tables, find a rating equal to or greater than the torque. Note coupling size from left hand column.

**Step 4:** Check maximum speed (RPM) capability.

**Step 5:** Check maximum bore capacity. If maximum bore is exceeded, move to larger size with adequate bore-but be sure maximum speed of coupling is not exceeded.

**NOTE:** If spring set motor brake is used, and brake HP is greater than prime mover, use brake HP in place of motor HP.

**NOTE:** If system peak torque is known and is non-reversing, start at Step 3. If system peak torque is known and reversing, multiply by 2.0 and start at Step 3.

**NOTE:** Selection program “Couple” available on [www.ptwizard.com](http://www.ptwizard.com).

## Service Factor

### Service Factor Calculation:

To calculate the appropriate service factor for your coupling selection, both the driver and the driven device have to be known. From this information, determine the application service factor from the chart on the following pages and the driver service factor adder in the chart below.

To obtain the service factor, the driver service factor adder has to be added <sup>(1)</sup> to the application service factor.

Example: To calculate the service factor for a D-Flex used on a gyratory crusher driven by a high torque AC motor, the application service factor is 2.00 and the driver service factor adder is 0.50. So, the service factor will be  $2.00 + 0.50 = 2.50$ .

(1) Either add positive values or subtract negative values.

### DRIVER SERVICE FACTOR ADDERS

		StarFlex	D-Flex	Para-Flex®
Electric Motor w / Standard Torque		0	0	0
Electric Motor w / High Torque SF < 1.25		0.25	0.25	0
Electric Motor w / High Torque SF > 1.25		0.25	0.5	0
Steam Turbines SF < 1.5		0	-0.25	0
Steam Turbines SF > 1.5		0	-0.5	0
Reciprocating Engines***	1- cyl	0.7	*	*
	2-3 cyl	0.3	*	*
	4-5-cyl SF < 1.25	0	0.25	0.5
	4-5-cyl SF > 1.25	0	0.5	0.5
	6-11 cyl SF < 1.25	0	0.25	0.5
	6-11 cyl SF > 1.25	0	0.5	0.5
	12 or more cyl SF < 1.25	0	0.25	0
	12 or more cyl SF > 1.25	0	0.5	0

\*\*\* The service factors shown are for reference only. Reciprocating applications may apply substantial loads on the coupling and/or induce vibration. This could seriously damage the system. Consult Baldor for assistance with these drives.

\* Contact Baldor for technical assistance.

Service Factors

Application Service Factors	StarFlex	D-Flex	Para-Flex®
<b>Agitators</b>	1.00	1.25	1.00
<b>Blowers</b>			
Centrifugal	1.00	1.25	1.00
Lobe	1.25	1.50	1.50
Vane	1.25	1.25	1.00
<b>Brewing &amp; Distilling</b>			
Bottling Machinery, Brew Kettles (distilling)	1.25	1.25	1.00
Cookers	1.25	1.25	1.00
<b>Car Dumpers</b>	2.50	2.00	1.50
<b>Car Pullers</b>	1.50	1.50	1.50
<b>Compressors **</b>			
Centrifugal	1.00	1.25	1.00
Screw	1.25	1.25	1.00
Lobe	1.25	2.00	2.00
Reciprocating			
1 Cylinder - Single Acting	*	*	3.50
1 Cylinder - Double Acting	*	*	3.00
2 Cylinder - Single Acting	*	*	3.00
2 Cylinder - Double Acting	*	*	2.50
3 Cl, or More - Single Acting	*	*	2.50
3 Cl, or More - Double Acting	*	*	2.00
<b>Conveyors</b>			
Assembly, Belt, Oven, Screw	1.2	1.25	1.00
<b>Cranes &amp; Hoist</b>			
Main Hoist - Medium Duty	1.50	1.50	1.50
Main Hoist - Heavy Duty	2.00	2.00	2.00
<b>Crushers</b>			
Cane	3.50	2.00	2.00
Gyratory	3.00	*	2.50
<b>Dredges</b>			
Cable Reels	2.00	1.50	1.50
Cutter Head Drives	2.50	2.00	2.50
Maneuvering and Utility Winch, Pumps	1.50	1.50	1.50
<b>Dynamometer</b>	1.50	1.25	1.00
<b>Fans</b>			
Centrifugal	1.00	1.25	1.00
Cooling Towers	2.00	2.00	2.00
Forced Draft Propeller	1.50	2.00	1.50
<b>Feeders</b>			
Belt	1.00	1.25	-
Screw	1.00	1.50	-
Reciprocating	2.50	2.00	-
Filter, Press-oil	1.50	1.50	-
<b>Generators</b>			
Hoist	1.50	1.50	1.50
Welding	2.00	2.00	2.00
<b>Kilns</b>	1.50	2.00	2.00
<b>Lumber Machinery</b>			
Band Resaw	1.50	1.50	1.50
Barkers, Edger Feeder, Log Haul	2.00	2.00	2.00
Planer, Slab Conveyor	2.00	1.50	1.50
Live Roll - Reciprocating	2.00	2.00	2.00
Sawdust Conveyor	1.25	1.25	1.00

BUSHINGS & HUBS

SHEAVES

SYNCHRONOUS DRIVES

COUPLINGS

PART NUMBER INDEX

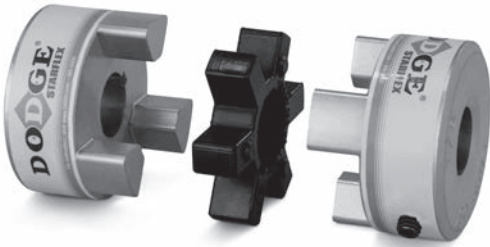
**Service Factors**

Application Service Factors	StarFlex	D-Flex	Para-Flex®
<b>Machine Tools</b>			
Main Drive	1.50	1.50	1.50
Punch Press - Gear Driven, Plate Planer	2.00	1.50	1.50
<b>Metal Forming Machines</b>			
Draw Bench, Carriage & Main Drive	2.00	2.00	2.00
Extruder	2.00	2.00	2.00
Wire Drawing	2.00	1.50	2.00
<b>Mills, Rotary Type</b>			
Ball, Pebble	2.00	2.00	2.50
Tube	2.00	2.00	2.50
Rod	2.00	2.00	2.50
Dryers, Coolers	2.00	1.50	1.50
Tumbling, Tumbling Barrel, Rubber Tumbling	1.50	2.00	1.50
<b>Mixers</b>			
Concrete, continuous	1.75	1.50	1.50
Muller	1.50	1.50	1.50
<b>Oil Industry</b>			
Chiller (oil)	1.50	1.50	1.00
<b>Paper Mills</b>			
Agitator (mixers), Reel, Winder	1.20	1.25	1.00
Barking Drum	2.50	2.00	2.50
Beater, Pulper	2.00	1.50	1.50
Jordans	2.00	2.00	2.00
Calenders	1.50	2.00	2.00
Suction Roll (paper)	1.50	1.50	2.00
Winder	1.20	1.50	1.50
<b>Printing Presses</b>			
<b>Puller - Barge Hall</b>	2.00	2.00	2.50
<b>Pulverisers</b>			
Hammermill - Light Duty	2.00	1.50	1.50
Hammermill - Heavy Duty	2.00	2.00	2.00
<b>Pug Mill</b>			
	1.75	1.50	1.50
<b>Pumps</b>			
Centrifugal	1.00	1.25	1.00
Gear	1.25	1.50	1.50
Reciprocating:			
1 - Cyl, Single Acting	2.00	*	2.50
1 - Cyl, Double Acting	2.00	*	2.00
2 - Cyl, Single Acting	2.00	*	2.00
2 - Cyl, Double Acting	1.75	*	1.50
3 or More Cyl	1.50	*	1.50
<b>Rubber Machinery</b>			
Banbury Mixers	2.50	2.00	2.50
Calender	2.00	2.00	2.00
<b>Screens</b>			
Air Washing, Water	1.00	1.25	1.00
Coal and Sand Rotary	1.50	1.50	1.50
Vibrating	2.50	2.00	2.50
Grizzly	2.00	2.00	2.00
<b>Textile Machinery</b>			
Card Machine	1.75	1.50	1.50
Mangel	1.20	1.25	1.00
Loom, Spinner, Tenter frames	1.50	1.50	1.50
Tumbling Barrels	1.75	2.00	2.00
<b>Windlass</b>			
	2.00	1.50	1.50
<b>Woodworking Machines</b>			
	1.00	1.25	1.00

\* Contact Baldor for technical assistance

\*\* Add 0.5 to factor if without flywheel

## StarFlex Couplings



The most commonly used elastomeric coupling for a wide variety of light to medium-duty applications.

### Features:

- Interchangeable by part number and size with industry standard components
- Cost saving component
- Four types of insert materials for a wide range of applications in varying temperatures and environments

### Product Features:

- High torque capability
- Easy Installation
- Misalignment capability
- No metal-to-metal contact

### Note:

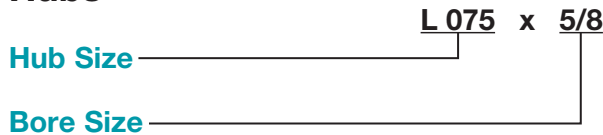
Careful selection of the type of insert based on the service factor will result in efficient, long-lasting operations

### How to Order

A complete StarFlex coupling assembly consists of one element and two hubs.

### Nomenclature

#### Hubs



#### Elements



- N = NBR Rubber
- U = Urethane
- H = Hytel
- B = Bronze







## StarFlex Couplings

### Note:

Selecting the proper insert material plays an important part in the performance of the product.

### ELEMENT CHARACTERISTICS

Properties	Temperature Range	Misalignment		Shore Hardness	Damping Capacity	Chemical Resistance	Color
		Angular (Degrees)	Parallel (in.)				
<b>NBR (Rubber):</b> Nitrile Butadiene Rubber is a flexible elastomer that is oil resistant, with the resilience and elasticity of natural rubber. Most economical and widely-used.	-40° to +212° F	1°	.015	80A	HIGH	GOOD	BLACK
	-40° to +100° C						
<b>Urethane:</b> Urethane has 1.5 times greater torque capacity than NBR, provides less vibration damping, and has good resistance to oil and chemicals. Not recommended for high cycle applications.	-30° to +160° F	1°	.015	55D L050-L110	LOW	VERY GOOD	ORANGE
	-34° to +71° C			90-95A L150-L225			
<b>Hytrel:</b> Hytrel is a flexible elastomer suited to high torque and temperature applications. Excellent resistance to oil and chemicals. Not recommended for high cycle applications.	-60° to +250° F	1/2°	.015	55D	LOW	EXCELLENT	BEIGE
	-51° to 121° C						
<b>Bronze:</b> Bronze is a rigid, oil-impregnated metal insert designed for high torque, slow speed applications. (Maximum 250 RPM) Not effected by extreme extreme environments (temperature, water, oil, dirt).	-40° to +450° F	1/2°	.010	-	NIL	EXCELLENT	GOLD
	-40° to +232° C						

### Jaw Couplings Advantages

Jaw couplings are fail-safe - if the insert element wears or breaks away, the coupling continues to operate until the insert can be conveniently replaced.

Simple design means easy installation, removal, and visual inspection. It also offers lighter weight and lower cost when compared to other coupling styles with similar torque capacity.

### Insert Choice

The choice of the insert element makes a significant difference in the coupling's performance with regards to torque rating, vibration, temperature, chemical resistance, misalignment, speed, installation and removal.

### Maintenance Tips

Through manual inspection, avoid allowing the jaw tips to come into contact; a noisy, grinding operation will result. Replace the insert if signs of wear are evident.

Do not over-estimate service factors when choosing the coupling. This increases costs unnecessarily and can cause damage elsewhere in the drive. Due to the variety of inserts available, careful selection will result in efficient, long-lasting operation.

**StarFlex Couplings**

**ELEMENT PART NUMBERS**

Spider Element Style	L035	L050	L070	L075	L090	L095	L099	L100	L110	L150	L190	L225
NBR Rubber (Solid)	L035N	L050N	L070N	L075N	L090-095N		L099-100N		L110N	L150N	L190N	L225N
NBR Rubber (Open Center)	-	-	-	L075N-HOLE	L090-095N-HOLE		L099-100N-HOLE		L110N-HOLE	L150N-HOLE	L190N-HOLE	L225N-HOLE
Urethane (Solid)	-	L050U	L070U	L075U	L090-095U		L099-100U		L110U	L150U	L190U	L225U
Urethane (Open Center)	-	-	L070U-HOLE	L075U-HOLE	L090-095U-HOLE		L099-100U-HOLE		L110U-HOLE	L150U-HOLE	-	-
Hytrel (Solid)	-	L050H	L070H	L075H	L090-095H		L099-100H		L110H	L150H	L190H	L225H
Hytrel (Open Center)	-	-	L070H-HOLE	L075H-HOLE	L090-095H-HOLE		L099-100H-HOLE		L110H-HOLE	L150H-HOLE	L190H-HOLE	L225H-HOLE
Bronze (Open Center)	-	L050B	L070B	L075B	L090-095B		L099-100B		L110B	L150B	L190B	L225B

**TORQUE, SPEED, AND MISALIGNMENT RATINGS**

Size	Torque and Speed Ratings						Misalignment Ratings			
	Torque (in. - lbs.)				Speed (RPM)		Parallel (in.)		Angular	
	NBR	Urethane	Hytrel	Bronze	NBR, Urethane, Hytrel	Bronze	NBR, Urethane, Hytrel	Bronze	NBR, Urethane	Hytrel, Bronze
L035	3.5	-	-	-	31,000	250	0.015	-	-	-
L050	26	39	50	50	18,000	250	0.015	0.010	1°	1/2°
L070	43	65	114	114	14,000	250	0.015	0.010	1°	1/2°
L075	90	135	227	227	11,000	250	0.015	0.010	1°	1/2°
L090	144	216	401	401	9,000	250	0.015	0.010	1°	1/2°
L095	194	291	561	561	9,000	250	0.015	0.010	1°	1/2°
L099	318	477	792	792	7,000	250	0.015	0.010	1°	1/2°
L100	417	626	1,134	1,134	7,000	250	0.015	0.010	1°	1/2°
L110	792	1,188	2,268	2,268	5,000	250	0.015	0.010	1°	1/2°
L150	1,240	2,860	3,708	3,708	5,000	250	0.015	0.010	1°	1/2°
L190	1,728	2,592	4,680	4,680	5,000	250	0.015	0.010	1°	1/2°
L225	2,340	3,510	6,228	6,228	4,200	250	0.015	0.010	1°	1/2°

BUSHINGS & HUBS

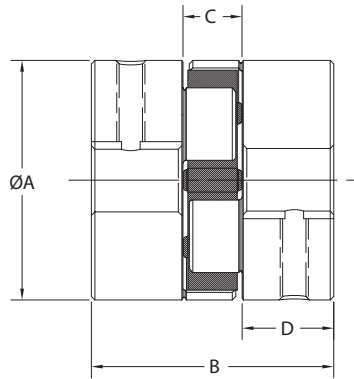
SHEAVES

SYNCHRONOUS DRIVES

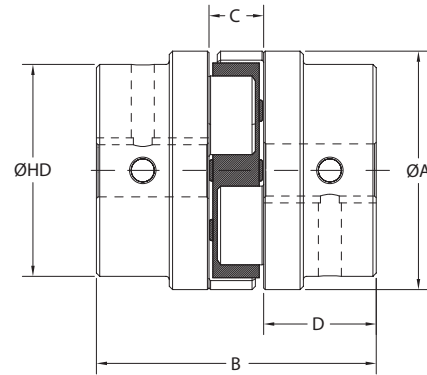
COUPLINGS

PART NUMBER INDEX

## StarFlex Couplings



**TYPE 1**



**TYPE 2**

Size	Type	Min. Bore	Max. Bore	Outside Diameter (A)	Hub Diameter (HD)	Overall Length (B)	Distance between Hubs (C)	Length through Bore (D)	Weight (lbs.) <sup>(1)</sup>	Inertia (lbs.-in. <sup>2</sup> )
L035	1	1/8 (4mm)	3/8 (8mm)	5/8	—	13/16	9/32	17/64	0.10	0.003
L050	1	3/16 (5mm)	5/8 (16mm)	1-1/16	—	1-23/32	15/32	5/8	0.25	0.054
L070	1	3/16 (7mm)	3/4 (19mm)	1-3/8	—	2	1/2	3/4	0.50	0.115
L075	1	3/16 (9mm)	7/8 (22mm)	1-3/4	—	2-1/8	1/2	13/16	0.90	0.388
L090	1	3/16 (8mm)	1 (25mm)	2-1/8	—	2-9/64	33/64	13/16	1.35	0.772
L095	1	7/16 (11mm)	1-1/8 (28mm)	2-1/8	—	2-33/64	33/64	1	1.55	0.890
L099	1	7/16 (14mm)	1-3/16 (30mm)	2-17/32	—	2-27/32	23/32	1-1/16	2.25	2.048
L100	1	7/16 (12mm)	1-3/8 (35mm)	2-17/32	—	3-15/32	23/32	1-3/8	2.80	2.783
L110	1	5/8 (16mm)	1-5/8 (42mm)	3-5/16	—	4-1/4	7/8	1-11/16	5.95	8.993
L150	1	5/8 (16mm)	1-7/8 (48mm)	3-3/4	—	4-1/2	1	1-3/4	7.90	11.477
L190	2	3/4 (19mm)	2-1/8 (55mm)	4-1/2	4	5	1	2	13.80	39.256
L225	2	3/4 (30mm)	2-5/8 (65mm)	5	4-1/4	5-3/8	1	2-3/16	17.30	65.000

(1) Average weight for complete coupling assembly

# StarFlex Couplings

## INCH SERIES: STANDARD BORES AND KEYWAYS

Bore (in.)	Keyway (in.)	L035	L050	L070	L075	L090	L095
1/8	No kW	L035x1/8	-	-	-	-	-
3/16	No kW	L035x3/16	L050x3/16	L070x3/16	L075x3/16	L090x3/16	-
1/4	No kW	L035x1/4	L050x1/4	L070x1/4	L075x1/4	L090x1/4	-
1/4	1/8 x 1/16	-	-	-	L075x1/4kW	-	-
5/16	No kW	L035x5/16	L050x5/16	-	L075x5/16	L090x5/16	-
3/8	No kW	L035x3/8	L050x3/8	L070x3/8	L075x3/8	L090x3/8	-
3/8	3/32 x 3/64	-	L050x3/8kW3/32	L070x3/8kW3/32	L075x3/8kW3/32	L090x3/8kW3/32	-
3/8	1/8 x 1/16	-	L050x1/8kW1/8	L070x3/8kW1/8	L075x3/8kW1/8	L090x3/8kW1/8	-
7/16	No kW	-	L050x7/16	L070x7/16	L075x7/16	L090x7/16	L095x7/16
7/16	3/32 x 3/64	-	L050x7/16kW3/32	L070x7/16kW3/32	L075x7/16kW3/32	L090x7/16kW3/32	L095x7/16kW3/32
7/16	1/8 x 1/16	-	-	L070x7/16kW1/8	L075x7/16kW1/8	L090x7/16kW1/8	L095x7/16kW1/8
1/2	No kW	-	L050x1/2	L070x1/2	L075x1/2	L090x1/2	L095x1/2
1/2	1/8 x 1/16	-	L050x1/2kW	L070x1/2kW	L075x1/2kW	L090x1/2kW	L095x1/2kW
9/16	No kW	-	L050x9/16NOKW	L070x9/16NOKW	L075x9/16NOKW	L090x9/16NOKW	L095x9/16NOKW
9/16	1/8 x 1/16	-	L050x9/16	L070x9/16	L075x9/16	L090x9/16	L095x9/16
5/8	No kW	-	L050x5/8NOKW	L070x5/8NOKW	L075x5/8NOKW	L090x5/8NOKW	L095x5/8NOKW
5/8	5/32 x 5/64	-	-	L070x5/8kW5/32	L075x5/8kW5/32	L090x5/8kW5/32	L095x5/8kW5/32
5/8	3/16 x 3/32	-	L050x5/8	L070x5/8	L075x5/8	L090x5/8	L095x5/8
11/16	3/16 x 3/32	-	-	L070x11/16	L075x11/16	L090x11/16	L095x11/16
3/4	No kW	-	-	L070x3/4NOKW	L075x3/4NOKW	L090x3/4NOKW	L095x3/4NOKW
3/4	1/8 x 1/16	-	-	L070x3/4kW1/8	L075x3/4kW1/8	L090x3/4kW1/8	L095x3/4kW1/8
3/4	3/16 x 3/32	-	-	L070x3/4kW	L075x3/4	L090x3/4	L095x3/4
13/16	3/16 x 3/32	-	-	-	L075x13/16	L090x13/16	L095x13/16
7/8	No kW	-	-	-	L075x7/8NOKW	-	-
7/8	3/16 x 3/32	-	-	-	L075x7/8	L090x7/8	L095x7/8
7/8	1/4 x 1/8	-	-	-	-	L090x7/8kW1/4	L095x7/8kW1/4
15/16	1/4 x 1/8	-	-	-	-	L090x15/16	L095x15/16
1	1/4 x 1/8	-	-	-	-	L090x1	L095x1
1	3/16 x 3/32	-	-	-	-	L090x1kW3/16	L095x1kW13/16
1-1/16	1/4 x 1/8	-	-	-	-	-	L095x1-1/16
1-1/8	1/4 x 1/8	-	-	-	-	-	L095x1-1/8
1-3/16	1/4 x 1/8	-	-	-	-	-	-
1-1/4	1/4 x 1/8	-	-	-	-	-	-
1-1/4	5/16 x 5/32	-	-	-	-	-	-
1-5/16	5/16 x 5/32	-	-	-	-	-	-
1-3/8	5/16 x 5/32	-	-	-	-	-	-
1-3/8	3/8 x 3/16	-	-	-	-	-	-
1-7/16	3/8 x 3/16	-	-	-	-	-	-
1-1/2	5/16 x 5/32	-	-	-	-	-	-
1-1/2	3/8 x 3/16	-	-	-	-	-	-
1-9/16	3/8 x 3/16	-	-	-	-	-	-
1-5/8	3/8 x 3/16	-	-	-	-	-	-
1-11/16	3/8 x 3/16	-	-	-	-	-	-
1-3/4	3/8 x 3/16	-	-	-	-	-	-
1-3/4	3/8 x 3/16	-	-	-	-	-	-
1-13/16	1/2 x 1/4	-	-	-	-	-	-
1-7/8	1/2 x 1/4	-	-	-	-	-	-
1-15/16	1/2 x 1/4	-	-	-	-	-	-
2	1/2 x 1/4	-	-	-	-	-	-
2-1/16	1/2 x 1/4	-	-	-	-	-	-
2-1/8	1/2 x 1/4	-	-	-	-	-	-
2-3/16	1/2 x 1/4	-	-	-	-	-	-
2-1/4	1/2 x 1/4	-	-	-	-	-	-
2-3/8	5/8 x 5/16	-	-	-	-	-	-
2-1/2	5/8 x 5/16	-	-	-	-	-	-
2-5/8	5/8 x 5/16	-	-	-	-	-	-

Hub Part Number = Size X bore  
 For example, L070x5/8

# StarFlex Couplings

## INCH SERIES: STANDARD BORES AND KEYWAYS

Bore (in.)	Keyway (in.)	L099	L100	L110	L150	L190	L225
1/8	No kW	-	-	-	-	-	-
3/16	No kW	-	-	-	-	-	-
1/4	No kW	-	-	-	-	-	-
1/4	1/8 x 1/16	-	-	-	-	-	-
5/16	No kW	-	-	-	-	-	-
3/8	No kW	-	-	-	-	-	-
3/8	3/32 x 3/64	-	-	-	-	-	-
3/8	1/8 x 1/16	-	-	-	-	-	-
7/16	No kW	L099x7/16	L100x7/16	-	-	-	-
7/16	3/32 x 3/64	L099x7/16kW3/32	L100x7/16kW3/32	-	-	-	-
7/16	1/8 x 1/16	L099x7/16kW1/8	L100x7/16kW1/8	-	-	-	-
1/2	No kW	L099x1/2	L100x1/2	-	-	-	-
1/2	1/8 x 1/16	L099x1/2kW	L100x1/2kW	-	-	-	-
9/16	No kW	L099x9/16N0kW	L100x9/16N0kW	-	-	-	-
9/16	1/8 x 1/16	L099x9/16	L100x9/16	-	-	-	-
5/8	No kW	L099x5/8N0kW	L100x5/8N0kW	L110x5/8N0kW	L150x5/8N0kW	-	-
5/8	5/32 x 5/64	L099x5/8kW5/32	L100x5/8kW5/32	L110x5/8kW5/32	L150x5/8kW5/32	-	-
5/8	3/16 x 3/32	L099x5/8	L100x5/8	L110x5/8	L150x5/8	-	-
11/16	3/16 x 3/32	L099x11/16	L100x11/16	L110x11/16	L150x11/16	-	-
3/4	No kW	L099x3/4N0kW	L100x3/4N0kW	-	-	L190x3/4N0kW	L225x3/4N0kW
3/4	1/8 x 1/16	L099x3/4kW1/8	L100x3/4kW1/8	L110x3/4kW1/8	L150x3/4kW1/8	L190x3/4kW1/8	-
3/4	3/16 x 3/32	L099x3/4	L100x3/4	L110x3/4	L150x3/4	L190x3/4	L225x3/4
13/16	3/16 x 3/32	L099x13/16	L100x13/16	L110x13/16	L150x13/16	L190x13/16	L225x13/16
7/8	No kW	L099x7/8N0kW	-	-	-	-	-
7/8	3/16 x 3/32	L099x7/8	L100x7/8	L110x7/8	L150x7/8	L190x7/8	L225x7/8
7/8	1/4 x 1/8	L099x7/8kW1/4	L100x7/8kW1/4	L110x7/8kW1/4	L150x7/8kW1/4	L190x7/8kW1/4	L225x7/8kW1/4
15/16	1/4 x 1/8	L099x15/16	L100x15/16	L110x15/16	L150x15/16	L190x15/16	L225x15/16
1	1/4 x 1/8	L099x1	L100x1	L110x1	L150x1	L190x1	L225x1
1	3/16 x 3/32	L099x1kW13/16	L100x1kW13/16	L110x1kW3/16	L150x1kW3/16	L190x1kW3/16	L225x1kW3/16
1-1/16	1/4 x 1/8	L099x1-1/16	L100x1-1/16	L110x1-1/16	L150x1-1/16	L190x1-1/16	L225x1-1/16
1-1/8	1/4 x 1/8	L099x1-1/8	L100x1-1/8	L110x1-1/8	L150x1-1/8	L190x1-1/8	L225x1-1/8
1-3/16	1/4 x 1/8	L099x1-3/16	L100x1-3/16	L110x1-3/16	L150x1-3/16	L190x1-3/16	L225x1-3/16
1-1/4	1/4 x 1/8	-	L100x1-1/4	L110x1-1/4	L150x1-1/4	L190x1-1/4	L225x1-1/4
1-1/4	5/16 x 5/32	-	L100x1-1/4kW	L110x1-1/4kW	L150x1-1/4kW	L190x1-1/4kW	L225x1-1/4kW
1-5/16	5/16 x 5/32	-	L100x1-5/16	L110x1-5/16	L150x1-5/16	L190x1-5/16	L225x1-5/16
1-3/8	5/16 x 5/32	-	L100x1-3/8	L110x1-3/8	L150x1-3/8	L190x1-3/8	L225x1-3/8
1-3/8	3/8 x 3/16	-	L100x1-3/8kW	L110x1-3/8kW	L150x1-3/8kW	L190x1-3/8kW	L225x1-3/8kW
1-7/16	3/8 x 3/16	-	-	L110x1-7/16	L150x1-7/16	L190x1-7/16	L225x1-7/16
1-1/2	5/16 x 5/32	-	-	L110x1-1/2kW	L150x1-1/2kW	L190x1-1/2kW	L225x1-1/2kW
1-1/2	3/8 x 3/16	-	-	L110x1-1/2	L150x1-1/2	L190x1-1/2	L225x1-1/2
1-9/16	3/8 x 3/16	-	-	L110x1-9/16	L150x1-9/16	L190x1-9/16	L225x1-9/16
1-5/8	3/8 x 3/16	-	-	L110x1-5/8	L150x1-5/8	L190x1-5/8	L225x1-5/8
1-11/16	3/8 x 3/16	-	-	-	L150x1-11/16	L190x1-11/16	L225x1-11/16
1-3/4	3/8 x 3/16	-	-	-	L150x1-3/4	L190x1-3/4	L225x1-3/4
1-3/4	3/8 x 3/16	-	-	-	L150x1-3/4kW	L190x1-3/4kW	L225x1-3/4kW
1-13/16	1/2 x 1/4	-	-	-	L150x1-13/16	L190x1-13/16	L225x1-13/16
1-7/8	1/2 x 1/4	-	-	-	L150x1-7/8	L190x1-7/8	L225x1-7/8
1-15/16	1/2 x 1/4	-	-	-	-	L190x1-15/16	L225x1-15/16
2	1/2 x 1/4	-	-	-	-	L190x2	L225x2
2-1/16	1/2 x 1/4	-	-	-	-	L190x2-1/16	L225x2-1/16
2-1/8	1/2 x 1/4	-	-	-	-	L190x2-1/8	L225x2-1/8
2-3/16	1/2 x 1/4	-	-	-	-	-	L225x2-3/16
2-1/4	1/2 x 1/4	-	-	-	-	-	L225x2-1/4
2-3/8	5/8 x 5/16	-	-	-	-	-	L225x2-3/8
2-1/2	5/8 x 5/16	-	-	-	-	-	L225x2-1/2
2-5/8	5/8 x 5/16	-	-	-	-	-	L225x2-5/8

Hub Part Number = Size X bore  
For example, L070x5/8

BUSHINGS & HUBS

SHEAVES

SYNCHRONOUS DRIVES

COUPLINGS

PART NUMBER INDEX

**StarFlex Couplings**

**METRIC SERIES: STANDARD BORES AND KEYWAYS**

Bore (mm)	Keyway (mm)	L035	L050	L070	L075	L090	L095
4	No kW	L035x4MM	-	-	-	-	-
5	No kW	L035x5MM	L050x5MM	-	-	-	-
6	No kW	L035x6MM	L050x6MM	-	-	-	-
7	No kW	L035x7MM	L050x7MM	L070x7MM	-	-	-
8	No kW	L035x8MM	L050x8MM	L070x8MM	-	L090x8MM	-
9	3 x 1.4	-	L050x9MM	L070x9MM	L075x9MM	-	-
10	No kW	-	L050x10MM	L070x10MM	L075x10MM	-	-
	3 x 1.4	-	L050x10MM	L070x10MM	L075x10MM	L090x10MM	-
11	4 x 1.8	-	L050x11MM	L070x11MM	L075x11MM	-	L095x11MM
12	No kW	-	L050x12MM	L070x12MM	-	L090x12MM	-
	4 x 1.8	-	L050x12MM	L070x12MM	L075x12MM	L090x12MM	L095x12MM
14	No kW	-	L050x14MM	-	-	L090x14MM	L095x14MM
	5 x 2.3	-	L050x14MM	L070x14MM	L075x14MM	L090x14MM	L095x14MM
15	No kW	-	L050x15MM	L070x15MM	L075x15MM	-	L095x15MM
	5 x 2.3	-	L050x15MM	L070x15MM	L075x15MM	L090x15MM	L095x15MM
16	5 x 2.3	-	L050x16MM	L070x16MM	L075x16MM	L090x16MM	L095x16MM
17	5 x 2.3	-	-	L070x17MM	L075x17MM	L090x17MM	L095x17MM
18	6 x 2.8	-	-	L070x18MM	L075x18MM	L090x18MM	L095x18MM
19	No kW	-	-	-	-	L090x19MM	-
	6 x 2.8	-	-	L070x19MM	L075x19MM	L090x19MM	L095x19MM
20	6 x 2.8	-	-	-	L075x20MM	L090x20MM	L095x20MM
22	6 x 2.8	-	-	-	L075x22MM	L090x22MM	L095x22MM
24	8 x 3.3	-	-	-	-	L090x24MM	L095x24MM
25	8 x 3.3	-	-	-	-	L090x25MM	L095x25MM
28	No kW	-	-	-	-	-	-
	8 x 3.3	-	-	-	-	-	L095x28MM
30	8 x 3.3	-	-	-	-	-	-
32	No kW	-	-	-	-	-	-
	10 x 3.3	-	-	-	-	-	-
35	No kW	-	-	-	-	-	-
	10 x 3.3	-	-	-	-	-	-
38	10 x 3.3	-	-	-	-	-	-
40	12 x 3.3	-	-	-	-	-	-
42	12 x 3.3	-	-	-	-	-	-
45	14 x 3.8	-	-	-	-	-	-
48	No kW	-	-	-	-	-	-
	14 x 3.8	-	-	-	-	-	-
50	No kW	-	-	-	-	-	-
	14 x 3.8	-	-	-	-	-	-
55	No kW	-	-	-	-	-	-
	16 x 4.3	-	-	-	-	-	-
60	No kW	-	-	-	-	-	-
	18 x 4.4	-	-	-	-	-	-
65	18 x 4.4	-	-	-	-	-	-

Hub Part Number = Size X bore  
 For example, L070x5/8

BUSHINGS & HUBS

SHEAVES

SYNCHRONOUS DRIVES

COUPLINGS

PART NUMBER INDEX

StarFlex Couplings

METRIC SERIES: STANDARD BORES AND KEYWAYS

Bore (mm)	Keyway (mm)	L099	L100	L110	L150	L190	L225
4	No kW	-	-	-	-	-	-
5	No kW	-	-	-	-	-	-
6	No kW	-	-	-	-	-	-
7	No kW	-	-	-	-	-	-
8	No kW	-	-	-	-	-	-
9	3 x 1.4	-	-	-	-	-	-
10	No kW	-	-	-	-	-	-
	3 x 1.4	-	-	-	-	-	-
11	4 x 1.8	-	-	-	-	-	-
12	No kW	-	-	-	-	-	-
	4 x 1.8	-	L100x12MM-PB	-	-	-	-
14	No kW	L099x14MM-PB	-	-	-	-	-
	5 x 2.3	L099x14MM	L100x14MM	-	-	-	-
15	No kW	L099x15MM	L100x15MM	-	-	-	-
	5 x 2.3	L099x15MM	L100x15MM	-	-	-	-
16	5 x 2.3	L099x16MM	L100x16MM	L110x16MM-PB	L150x16MM-PB	-	-
17	5 x 2.3	-	L100x17MM	L110x17MM	L150x17MM	-	-
18	6 x 2.8	L099x18MM	L100x18MM	L110x18MM	-	-	-
19	No kW	-	-	-	-	L190x19MM-PB	-
	6 x 2.8	L099x19MM	L100x19MM	L110x19MM	L150x19MM	L190x19MM	-
20	6 x 2.8	L099x20MM	L100x20MM	L110x20MM	L150x20MM	L190x20MM	-
22	6 x 2.8	L099x22MM	L100x22MM	L110x22MM	L150x22MM	-	-
24	8 x 3.3	L099x24MM	L100x24MM	L110x24MM	L150x24MM	L190x24MM	-
25	8 x 3.3	L099x25MM	L100x25MM	L110x25MM	L150x25MM	L190x25MM	-
28	No kW	-	-	-	-	L190x28MM	-
	8 x 3.3	L099x28MM	L100x28MM	L110x28MM	L150x28MM	L190x28MM	-
30	8 x 3.3	L099x30MM	L100x30MM	L110x30MM	L150x30MM	L190x30MM	L225x30MM-PB
32	No kW	-	-	-	L150x32MM	L190x32MM	L225x32MM
	10 x 3.3	-	L100x32MM	L110x32MM	L150x32MM	L190x32MM	L225x32MM
35	No kW	-	L100x35MM	-	L150x35MM	L190x35MM	L225x35MM
	10 x 3.3	-	L100x35MM	L110x35MM	L150x35MM	L190x35MM	L225x35MM
38	10 x 3.3	-	-	L110x38MM	L150x38MM	L190x38MM	L225x38MM
40	12 x 3.3	-	-	L110x40MM	L150x40MM	L190x40MM	L225x40MM
42	12 x 3.3	-	-	L110x42MM	L150x42MM	L190x42MM	L225x42MM
45	14 x 3.8	-	-	-	L150x45MM	L190x45MM	L225x45MM
48	No kW	-	-	-	L150x48MM	-	-
	14 x 3.8	-	-	-	L150x48MM	L190x48MM	L225x48MM
50	No kW	-	-	-	L150x50MM	L190x50MM	L225x50MM
	14 x 3.8	-	-	-	-	L190x50MM	L225x50MM
55	No kW	-	-	-	-	L190x55MM	L225x55MM
	16 x 4.3	-	-	-	-	L190x55MM	L225x55MM
60	No kW	-	-	-	-	-	L225x60MM
	18 x 4.4	-	-	-	-	-	L225x60MM
65	18 x 4.4	-	-	-	-	-	L225x65MM

Hub Part Number = Size X bore  
 For example, L070x5/8

BUSHINGS & HUBS

SHEAVES

SYNCHRONOUS DRIVES

COUPLINGS

PART NUMBER INDEX

## D-Flex Couplings

### Low Cost Type J Couplings Offered in Four Sizes



- Features zinc die-cast flanges that are bored to size
- Accommodates applications through 10 HP at 1750 RPM
- Available with EPDM or Neoprene sleeves
- Shaft attachment with two setscrews at 65° for optimal holding power

### Type S Couplings Feature AGMA 9 Balanced Flanges off the Shelf



- High-strength, cast iron flanges that are finished bored for AGMA clearance fit
- Ionized powder coated flanges for superior corrosion protection
- Available with EPDM, Neoprene or Hytrel ★ sleeves
- Shaft attachment with two setscrews at 65° for optimal holding power

### Type B Couplings Offered with Standard QD† Bushing Shaft Attachment



- Constructed from high-strength cast iron
- Available with EPDM or Neoprene sleeves

### Type SC Spacer Couplings Satisfy Standard Spacing Requirements for Pump Applications



- Accommodates ANSI and ISO standard between shaft end dimensions, with custom spacer dimensions available on demand
- Features AGMA 9 balanced flanges & drop-out center for easy equipment maintenance
- Available with EPDM, Neoprene or Hytrel sleeves
- Uses H & HS shaft hubs that are bored to size for slip fit or offered with plain bore for reboring
- Shaft attachment with two setscrews at 65°
- Shaft hub flats are used for holding shafts stationary while loosening or tightening grade 8 bolts

★ Registered trademark of DuPont

† QD is a registered trademark of Emerson Electric Co.

BUSHINGS & HUBS

SHEAVES

SYNCHRONOUS DRIVES

COUPLINGS

PART NUMBER INDEX



## D-Flex Couplings

### Added Value

Outside diameter concentric to bore for ease in alignment

Rounded EPDM and Neoprene element edges for full tooth engagement, even load distribution, reduced stress build up, and longer life



Two setscrews at 65° on Type J flanges, Type S flanges & Type SC-H hubs for optimum shaft attachment. Holding force is 30% greater than two setscrews at 90°

Type S and SC flanges are balanced to vibration, resulting in longer driven equipment life

### Interchangeable Components Makes Installation Quick and Easy

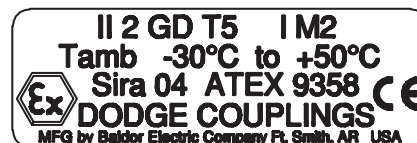
- Interchangeable with other elastomeric sleeve couplings
- Slides into position for snug fit

### No Lubrication Assures Trouble-Free Operation

- No metal-to-metal contact
- Provides clean, quiet, trouble-free performance

### ATEX Approved

- EPDM and Neoprene flexible elements
- All required documentation and markings included with standard product
- No extra charge



## D-Flex Couplings

### Specification

D-Flex couplings employ a molded, non-lubricated elastomeric flexing sleeve loaded in shear. The flexible sleeve shall be of EPDM, Neoprene, or Hytrel. The compound of EPDM shall be suitable for operation in ambient temperature from -30°F to +275°F, Neoprene 0°F to +200°F, and Hytrel -65°F to +250°F. Both EPDM and Neoprene sleeves shall have torsional flexing capability of 15° and accommodate 1° of angular misalignment. Hytrel sleeves, suitable to transmit four times the power of EPDM or Neoprene, has torsional flexing capability of 7° and 1/4° of angular misalignment.

The flexible sleeve is connected with external and internal gear teeth that engage with mating teeth in each flange. The coupling assemblies have optional methods of attachment to the shaft including but not limited to: clearance fit or QD bushings. Clearance fits are supplied with an industry standard keyway and two set screws, one over the key and one at 65°.

Spacer couplings consist of two hubs and a center assembly consisting of two spacer spacer flanges and one flexible element. The center assembly is easily removable to facilitate maintenance on pumps or other connected equipment and must be replaceable without disturbing the coupled equipment and without realignment.

D-Flex couplings utilizing EPDM and Neoprene elements are static conductive.

### How to Order

Standard couplings consist of:

- (2) Flange assemblies
- (1) Flexible sleeve

Spacer couplings consist of:

- (2) Shaft hubs
- (2) Spacer flanges
- (1) Flexible sleeve

For selection method, please refer to page 138.

## D-Flex Couplings

### Nomenclature



#### Sleeves

**SIZE** ——— 6 x JE  
**SLEEVE STYLE** ———

**EPDM Rubber:**  
 JE=One-Piece Solid  
 JES=One-Piece Split,  
 E=Two-Piece

**Neoprene:**  
 JN=One-Piece Solid  
 JNS=One-Piece Split,  
 N=Two-Piece

**Hytrel:**  
 H=One-Piece Solid  
 HS=One-Piece Split

#### Spacer Flanges

**SIZE AND TYPE** ——— 6SC  
**SPACER LENGTH** ——— 35

SC=Type SC (Spacer)

#### Close-Coupled Flanges

**SIZE AND TYPE** ——— 6S x 5/8  
**BORE SIZE** ———

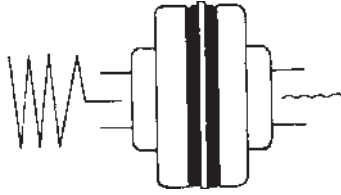
J=Type J (Finished Bore,  
 Zinc-Die Cast)  
 S=Type S (Finished Bore,  
 Cast Iron)  
 B=Type B (QD Bushed)

#### Spacer Hubs

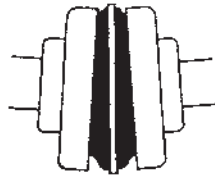
**SIZE AND TYPE** ——— 6SC-H x 5/8  
**BORE SIZE** ———

SC-H=Type SC (Spacer) Hub

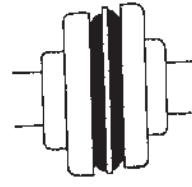
## Four-Way Flexing Action Handles Shock, Vibration & Misalignment



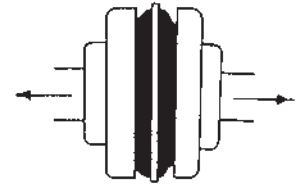
**TORSIONAL**  
Absorbs torsional shock, damps torsional vibrations



**ANGULAR**  
Allows for angular misalignment



**PARALLEL**  
Minimizes bearing loads, absorbs parallel misalignment with less wear and energy loss



**AXIAL**  
Allows for shaft end-float

### D-FLEX COUPLING SLEEVES

	EPDM Rubber	Neoprene	Hytrel <sup>(1)</sup>
One-Piece Solid Construction	JE	JN	H
One-Piece Split Construction	JES	JNS	-
Two-Piece Construction	E	N	HS
Sizes Offered	3 - 10 JE, JES 4 - 16 E	3 - 10 JN, JNS 4 - 14 N	6 - 12 H, HS
Temperature Range	-30°F to +275°F	0°F to +200°F	-65°F to +250°F
Max Angular	1°	1°	1/4°
Max Parallel <sup>(2)</sup>	.010 in. - .062 in.	.010 in. - .062 in.	.010 in. - .035 in.
Axial End-Float <sup>(2) (3)</sup>	.03 in. - .125 in.	.03 in. - .125 in.	.06 in. - .125 in.
Torsional Flexibility	15° Wind Up	15° Wind Up	7° Wind Up
Application Use	General	Good Oil Resistance	Downsizing For Use of Smaller Couplings

(1) Do not use with J or B flanges or as a replacement for other sleeves.

(2) Depends on coupling size.

(3) Increase the E dimension by this amount to accommodate end float.

# D-Flex Couplings

## D-FLEX COUPLING SLEEVES - PART NUMBERS

Coupling Size	EPDM			Neoprene			Hytrel	
	JE	JES	E	JN	JNS	N	H	HS
3	004208	004242	-	004209	004243	-	-	-
4	004210	004244	022190	004211	004245	022211	-	-
5	004212	004246	022191	004213	004247	022212	-	-
6	004214	004248	022192	004215	004249	022213	022183	022232
7	004216	004250	022193	004217	004251	022214	022184	022233
8	004218	004252	022194	004219	004253	022215	022185	022234
9	004220	004254	022195	-	-	022216	022186	022235
10	004222	004256	022196	-	-	022217	022187	022236
11	-	-	022197	-	-	022218	022188	022237
12	-	-	022198	-	-	022219	022189	022238
13	-	-	021990	-	-	021993	-	022239
14	-	-	021991	-	-	021994	-	425730
16	-	-	021992	-	-	-	-	-

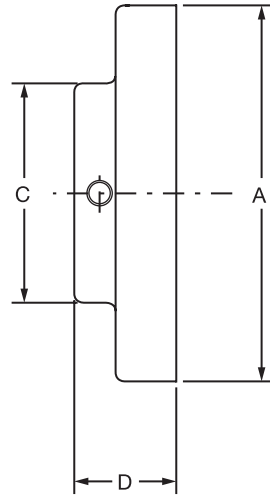
## D-FLEX RATINGS

Element Size	Max. Bore				Max. RPM	EPDM & Neoprene		Hytrel	
	Straight Bore			Bushed		HP/100	Rated Torque (in. - lbs.)	HP/100	Rated Torque (in. - lbs.)
	Type J	Type S	Type SC	Type B					
3	7/8	-	-	-	9200	0.10	60	-	-
4	1	-	-	-	7600	0.19	120	-	-
5	1-1/8	1-1/4	1-1/8	-	7600	0.38	240	-	-
6	1-3/8	1-7/8	1-3/8	1-3/16	6000	0.71	450	2.90	1,800
7	-	1-7/8	1-5/8	1-3/16	5250	1.20	725	4.60	2,875
8	-	2-3/8	1-7/8	1-5/8	4500	1.80	1,135	7.20	4,530
9	-	2-7/8	2-1/8	1-15/16	3750	2.80	1,800	11.40	7,200
10	-	3-3/8	2-3/8	2-1/2	3600	4.60	2,875	18.00	11,350
11	-	3-7/8	2-7/8	2-13/16	3600	7.20	4,530	28.60	18,000
12	-	3-15/16	2-7/8	3-1/2	2800	11.40	7,200	50.00	31,500
13	-	4-1/2	3-3/8	3-15/16	2400	18.00	11,350	75.00	47,268
14	-	5	3-7/8	3-15/16	2200	28.60	18,000	115.00	72,480
16	-	6	-	4-1/2	1500	75.00	47,250	-	-

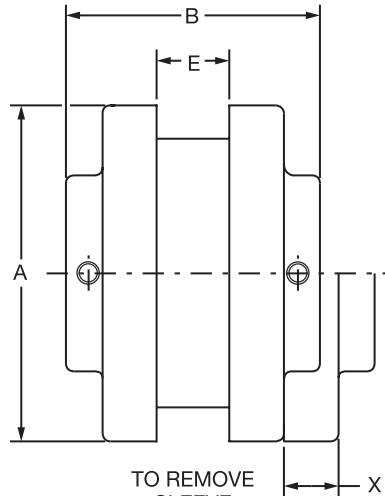
## D-FLEX FLANGE/SLEEVE COMPATIBILITY

Flange Style	EPDM		Neoprene		Hytrel	
	JE/JES 1 Piece	E 2 Piece	JN/JNS 1 Piece	N 2 Piece	H 1 Piece	HS 2 Piece
Type J	√	√	√	√	-	-
Type S	√	√	√	√	√	√
Type B Bushed	√	√	√	√	-	-
SC Spacer	√	√	√	√	√	√

## D-Flex Couplings



TYPE "J" FLANGE



TYPE "J" COUPLING

### DIMENSIONS - TYPE "J"

Coupling Size	Min. Bore	Max. Bore	HP/100	EPDM/ Neoprene Torque (in. - lbs.)	Max. RPM	A	B	C	D	E	X	Weight (lbs.)	Inertia (lbs. ft. <sup>2</sup> )
3J	3/8	7/8	0.10	60	9200	2.06	2.00	1.50	0.81	0.38	0.56	0.03	-
4J	1/2	1	0.19	120	7600	2.46	2.38	1.63	0.88	0.63	0.75	0.04	-
5J	1/2	1-1/8	0.38	240	7600	3.25	2.88	1.88	1.06	0.75	0.97	0.09	-
6J	5/8	1-3/8	0.71	450	6000	4.00	3.31	2.50	1.22	0.88	1.09	1.20	-

6J Minimum bore - 5/8 in.

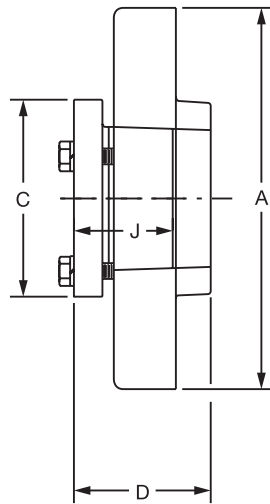
### PART NUMBERS

Bore (in.)	Coupling Flange			
	3J	4J	5J	6J
3/8	022700	-	-	-
1/2	022701	022708	022714	-
5/8	022702	022709	022715	022721
3/4	022703	022710	022716	022722
7/8	022704	022711	022717	022723
15/16	-	022712	022718	022724
1	-	022713	022719	022725
1-1/8	-	-	022720	022726
1-3/16	-	-	-	022727
1-1/4	-	-	-	022728
1-3/8	-	-	-	022729

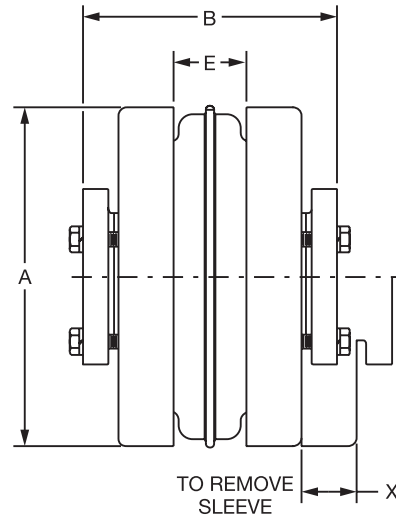
Unless otherwise specified, all Type-J flanges are clearance fit per AGMA 9002. See page 27 for additional details.

Complete coupling consists of (2) J flanges, and (1) sleeve (from page 139).

## D-Flex Couplings



TYPE "B" FLANGE



TYPE "B" COUPLING

### DIMENSIONS - TYPE "B" QD BUSHED

Coupling Size	Bushing Type	Min. Bore	Max. Bore <sup>(1)</sup>	HP/100	EPDM/Neoprene Torque (in. - lbs.)	Max. RPM	A	B	C	D	E	J	X	Weight (lbs.) <sup>(2)</sup>		Inertia (lbs. ft. <sup>2</sup> )
														Flange	Bushing	
6B	JA	1/2	1-3/16	0.71	450	6000	4.00	3.31	2.00	1.53	0.88	1.00	1.09	1.30	0.40	-
7B	JA	1/2	1-3/16	1.20	725	5250	4.63	3.44	2.00	1.59	1.00	1.00	1.31	1.90	0.40	-
8B	SH	1/2	1-5/8	1.80	1135	4500	5.45	4.06	2.63	1.84	1.13	1.31	1.50	2.90	0.90	-
9B	SD	1/2	1-15/16	2.80	1800	3750	6.35	4.63	3.19	2.19	1.44	1.81	1.75	4.80	1.60	-
10B	SK	1/2	2-1/2	4.60	2875	3600	7.50	5.63	3.88	1.84	1.63	1.94	2.00	7.80	2.70	-
11B	SF	1/2	2-15/16	7.20	4530	3600	8.63	6.56	4.63	2.13	1.88	2.00	2.38	12.00	3.80	-
12B	E	7/8	3-1/2	11.40	7200	2800	10.00	7.94	6.00	2.69	2.31	2.75	2.69	18.00	9.00	-
13B	F	1	3-15/16	18.00	11350	2400	11.75	9.31	6.63	3.69	2.69	3.75	3.00	31.20	14.00	-
14B	F	1	3-15/16	28.60	18000	2200	13.88	10.44	6.63	3.69	3.25	3.75	3.50	51.40	14.00	-
16B	J	1-1/2	4-1/2	75.00	47250	1500	18.88	13.25	7.25	4.75	4.75	4.63	4.50	120.00	21.00	-

- (1) Max bore with shallow key
- (2) Approximate weight for each flange; average weight for each bushing
- (3) Hytel Elements not to be used with QD flanges

### PART NUMBERS

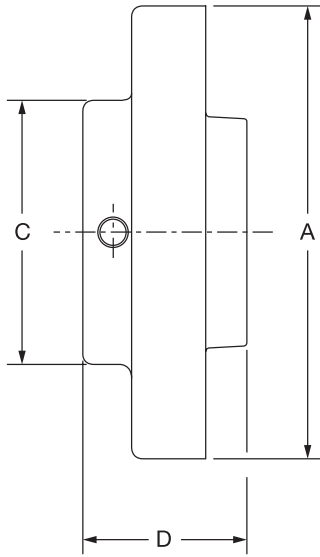
	6B	7B	8B	9B	10B	11B	12B
Part No.	022501	022502	022503	022504	022505	022506	022507

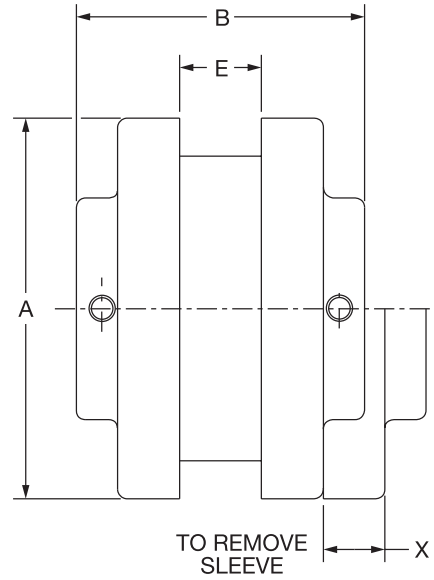
	13B	14B	16B
Part No.	022508	022509	022510

Complete coupling consists of (2) B flanges, (1) sleeve and (2) QD Bushings. QD Bushings must be ordered separately (from page 6).

## D-Flex Couplings



TYPE "S" FLANGE



TYPE "S" COUPLING

### DIMENSIONS - TYPE "S"

Coupling Size	Min. Bore	Max. Bore #	HP/100*	EPDM/ Neoprene Torque (in. - lbs.)	Hytrel Torque (in. - lbs.)	Max. RPM	A	B	C	D	E	X	Weight (lbs.)	Inertia (lbs. ft. <sup>2</sup> )
5S	1/2	1-1/4	0.38	240	—	7600	3.25	2.81	1.88	1.34	0.75	0.97	1.1	—
6S	1/2	1-7/8	0.71	450	1,800	6000	4	3.5	2.81	1.63	0.88	1.09	1.9	—
7S	1/2	1-7/8	1.2	725	2,875	5250	4.63	3.94	2.81	1.85	1	1.31	2.6	—
8S	1/2	2-3/8	1.8	1135	4,530	4500	5.45	4.44	3.25	2.1	1.13	1.5	4.4	—
9S	9/16	2-7/8	2.8	1800	7,200	3750	6.35	5.06	4.13	2.4	1.44	1.75	6.5	—
10S	1	3-3/8	4.6	2875	11,350	3600	7.5	5.69	4.75	2.72	1.63	2	10.5	—
11S	1-1/4	3-7/8	7.2	4530	18,000	3600	8.63	7.13	5.63	3.44	1.88	2.38	18.1	—
12S	1-1/2	3-15/16	11.4	7200	31,500	2800	10	8.25	5.75	4	2.31	2.69	27.8	—
13S	2 in. Reb.	4-1/2	18	11350	47,268	2400	11.75	9.25	6.75	4.5	2.69	3.06	45.2	—
14S	2 in. Reb.	5	28.6	18000	72,480	2200	13.88	9.88	7.5	4.757	3.25	3.5	69.1	—
16S	2 in. Reb.	6	75	47250	—	1500	18.88	14.25	8	6	4.75	4.25	125.3	—

# Max bore with shallow keyway. For max bore with standard keyway, see page 157.

\* Ratings based on EPDM & Neoprene. For Hytrel HP/100 ratings, see page 139.



**D-Flex Couplings**

**TYPE “S” FLANGE PART NUMBERS, INCH BORE**

Bore (in.)	Coupling Flange Size										
	5S	6S	7S	8S	9S	10S	11S	12S	13S	14S	16S
<b>Reborable</b>	<b>004976</b>	<b>004977</b>	<b>004978</b>	<b>004979</b>	<b>004980</b>	<b>004981</b>	<b>004982</b>	<b>004983</b>	<b>004993</b>	<b>004994</b>	<b>004995</b>
1/2	004498	–	–	–	–	–	–	–	–	–	–
5/8	004500	004511	004534	–	–	–	–	–	–	–	–
3/4	004502	004513	004536	004559	–	–	–	–	–	–	–
7/8	004504	004515	004538	004561	004586	–	–	–	–	–	–
15/16	004505	004516	004539	004562	004587	–	–	–	–	–	–
1	004506	004517	004540	004563	004588	–	–	–	–	–	–
1-1/8	004508	004519	004542	004565	004590	004619	–	–	–	–	–
1-3/16	*004509	004520	004543	004566	004591	004620	–	–	–	–	–
1-1/4	†004510	004521	004544	004567	004592	004621	004656	–	–	–	–
1-5/16	–	004522	004545	004568	004593	004622	004657	–	–	–	–
1-3/8	–	004523	004546	004569	004594	004623	004658	–	–	–	–
1-7/16	–	*004524	004547	004570	004595	004624	004659	–	–	–	–
1-1/2	–	†004525	004548	004571	004596	004625	004660	004696	–	–	–
1-5/8	–	004527	*004550	004573	004598	004627	004662	004698	–	–	–
1-11/16	–	004528	004551	004574	004599	004628	004663	004699	–	–	–
1-3/4	–	004529	004552	004575	004600	004629	004664	004700	–	–	–
1-7/8	–	004531	†004554	004577	004602	004631	004666	004702	–	–	–
1-15/16	–	–	–	004578	004603	004632	004667	004703	–	–	–
2	–	–	–	004579	004604	004633	004668	004704	–	–	–
2-1/8	–	–	–	†004581	004606	004635	004670	004706	–	–	–
2-3/16	–	–	–	004582	004607	004636	004671	004707	–	–	–
2-1/4	–	–	–	004583	004608	004637	004672	004708	–	–	–
2-3/8	–	–	–	004585	*004610	004639	004674	004710	004996	–	–
2-7/16	–	–	–	–	004611	004640	004675	004711	–	–	–
2-1/2	–	–	–	–	†004612	004641	004676	004712	–	–	–
2-5/8	–	–	–	–	004614	004643	004678	004714	–	–	–
2-11/16	–	–	–	–	004615	004644	004679	004715	–	–	–
2-3/4	–	–	–	–	004616	*004645	004680	004716	–	–	–
2-7/8	–	–	–	–	004618	†004647	004682	004718	004997	004998	–
2-15/16	–	–	–	–	–	004648	004683	004719	–	–	–
3	–	–	–	–	–	004649	004684	004720	–	–	–
3-1/8	–	–	–	–	–	004651	004686	004722	–	–	–
3-1/4	–	–	–	–	–	004653	004688	004724	–	–	–
3-5/16	–	–	–	–	–	004654	004689	004725	–	–	–
3-3/8	–	–	–	–	–	004655	*†004690	004726	–	–	–
3-7/16	–	–	–	–	–	–	004691	004727	–	–	–
3-1/2	–	–	–	–	–	–	004692	004728	–	–	–
3-5/8	–	–	–	–	–	–	004693	004730	–	–	–
3-11/16	–	–	–	–	–	–	–	004731	–	–	–
3-3/4	–	–	–	–	–	–	004694	004732	–	–	–
3-7/8	–	–	–	–	–	–	004695	*†004734	–	–	–
3-15/16	–	–	–	–	–	–	–	004735	–	–	–

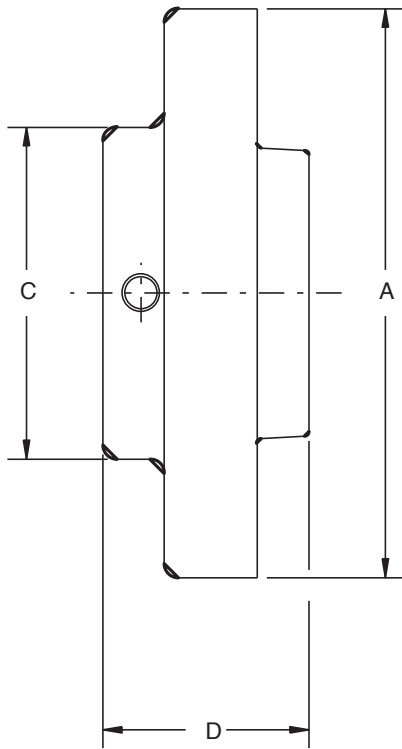
Unless otherwise specified, all Type-S flanges are clearance fit per AGMA 9002.  
See page 157 for additional details.

† Max bore for reborable flanges.

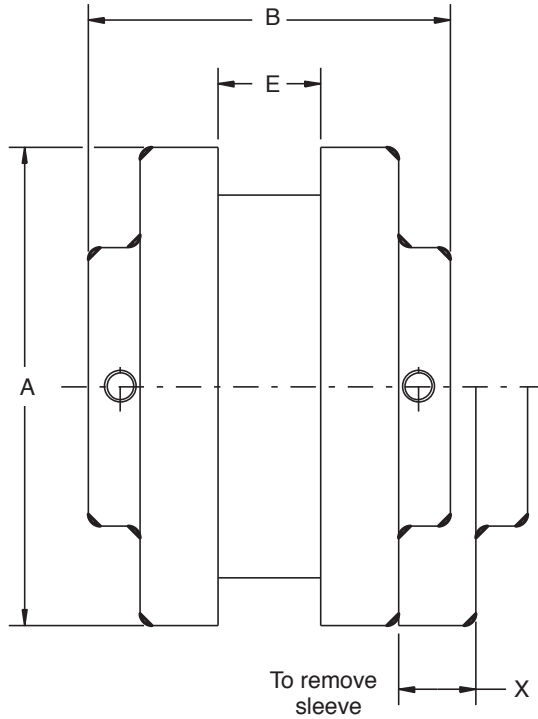
**Complete coupling consists of (2) S flanges and (1) sleeve (from page 139).**

**\* Max bore with std. square keyway. Larger bores have rectangular keyways & keys supplied.**

## D-Flex Couplings



Type "S" flange



Type "S" coupling

### D-FLEX TYPE "S" COUPLINGS\*\* - METRIC

Coupling Size	Min. Bore (mm)	Max. Bore (mm)	EPDM and Neoprene		Hytrel		Max. RPM	A (mm)	B (mm)	C (mm)	D (mm)	E (mm)	X (mm)	Mass (kg.)	Inertia <sup>(1)</sup> (kg.-m <sup>2</sup> )
			kW/100	Torque (N-m)	kW/100	Torque (N-m)									
5S	13	32*	0.28	27	—	—	7600	83	71	48	34	19	25	0.50	0.0008
6S	13	40*	0.53	51	2.16	203	6000	102	89	71	41	22	28	0.90	0.0026
7S	13	48*	0.90	82	3.43	325	5250	118	100	71	47	25	33	1.20	0.0046
8S	13	60*	1.34	128	5.37	512	4500	138	113	83	53	29	38	2.00	0.0127
9S	23	68*	2.09	203	8.51	814	3750	161	129	92	61	37	44	2.90	0.0213
10S	28	80*	3.43	325	13.43	1282	3600	191	145	111	69	41	51	4.80	0.0474
11S	30	96*	5.37	512	21.34	2034	3600	219	181	143	87	48	60	8.20	0.0958
12S	38	108*	8.50	814	37.31	3559	2800	254	210	146	102	59	68	12.60	0.1933
13S	51	114*	13.43	1282	55.97	5341	2400	299	235	171	111	68	78	20.50	0.4256
14S	51	127*	21.34	2034	85.82	8190	2200	353	251	191	114	83	89	31.30	0.9376
16S	51	152*	55.95	5339	—	—	1500	480	362	203	152	121	108	56.80	3.8516

\* Max Bores with metric shallow keys. Metric Shallow keys have standard height less 1mm

\*\* Includes metric setscrews

(1) Inertia values are for complete coupling with rough stock bore and split EPDM element.

# D-Flex Couplings

## TYPE "S" FLANGE PART NUMBERS, METRIC BORE

Bore (mm)	Coupling Flange Size										
	5S	6S	7S	8S	9S	10S	11S	12S	13S	14S	16S
<b>Reborable</b>	004976	004977	004978	004979	004980	004981	004982	004983	004993	004994	004995
14	004856	004865	004978	004979	-	-	-	-	-	-	-
16	004857	004866	004878	004893	-	-	-	-	-	-	-
18	004858	004867	004879	004894	-	-	-	-	-	-	-
19	004859	004868	004880	004895	-	-	-	-	-	-	-
20	004860	004869	004881	004896	-	-	-	-	-	-	-
22	004861	004870	004882	004897	004916	-	-	-	-	-	-
24	004862	004871	004883	004898	004917	-	-	-	-	-	-
25	004863	004872	004884	004899	004918	-	-	-	-	-	-
28	004864	004873	004885	004900	004919	004928	-	-	-	-	-
30	004193	004874	004886	004901	004920	004929	004942	-	-	-	-
32	-	004875	004887	004902	004921	004930	004943	-	-	-	-
35	-	004876	004888	004903	004922	004931	004944	-	-	-	-
38	-	394350	004889	004904	004923	004932	004945	004960	-	-	-
40	-	-	004890	004905	004924	004933	004946	004961	-	-	-
42	-	-	004891	004906	004925	004934	004947	004962	-	-	-
45	-	-	004892	004907	004926	004935	004948	004963	-	-	-
48	-	-	005006	004908	004927	004936	004949	004964	-	-	-
50	-	-	005007	004909	004181	004937	004950	004965	-	-	-
55	-	-	-	004910	004182	004938	004951	004966	-	-	-
60	-	-	-	005008	005009	004939	004952	004967	-	-	-
65	-	-	-	-	395373	004940	004953	004968	004177	-	-
70	-	-	-	-	-	004941	004954	004969	-	-	-
75	-	-	-	-	-	395372	004955	004970	004178	-	-
80	-	-	-	-	-	395374	004956	004971	004180	004179	004757
85	-	-	-	-	-	-	004957	004972	-	-	-
90	-	-	-	-	-	-	004958	004973	-	-	-
95	-	-	-	-	-	-	004959	004974	-	-	-
100	-	-	-	-	-	-	-	004975	-	-	-

Unless otherwise specified, all D-Flex flanges are clearance fit per ISO R775. See page 159 for additional details.

## D-FLEX COUPLING SLEEVES

Coupling Size	EPDM			Neoprene			Hytrel	
	JE	JES	E	JN	JNS	N	H	HS
<b>Element Construction</b>	<b>One-piece solid</b>	<b>One-piece split</b>	<b>Two-piece</b>	<b>One-piece solid</b>	<b>One-piece split</b>	<b>Two-piece</b>	<b>One-piece solid</b>	<b>Two-piece</b>
5	004212	004246	022191	004213	004247	022212	-	-
6	004214	004248	022192	004215	004249	022213	022183	022232
7	004216	004250	022193	004217	004251	022214	022184	022233
8	004218	004252	022194	004219	004253	022215	022185	022234
9	004220	004254	022195	-	-	022216	022186	022235
10	004222	004256	022196	-	-	022217	022187	022236
11	-	-	022197	-	-	022218	022188	022237
12	-	-	022198	-	-	022219	022189	022238
13	-	-	021990	-	-	021993	-	022239
14	-	-	021991	-	-	021994	-	425730
16	-	-	021992	-	-	-	-	-

BUSHINGS & HUBS

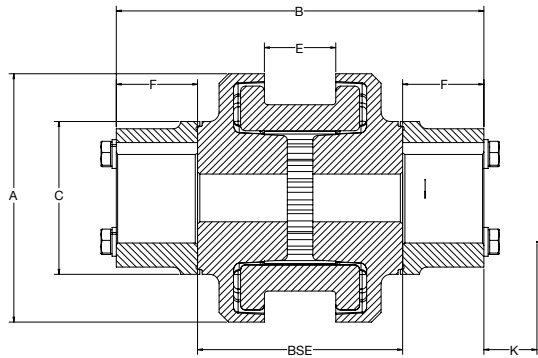
SHEAVES

SYNCHRONOUS DRIVES

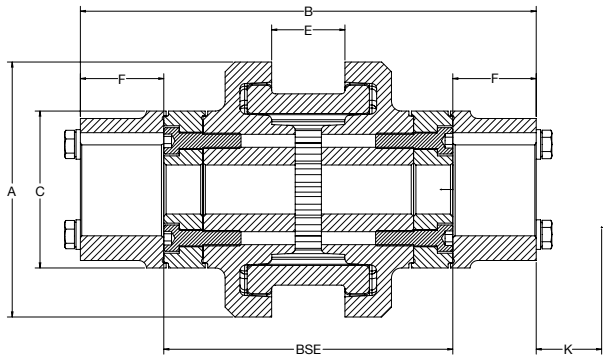
COUPLINGS

PART NUMBER INDEX

## D-Flex Couplings



Type 1



Type 2

### DIMENSIONS

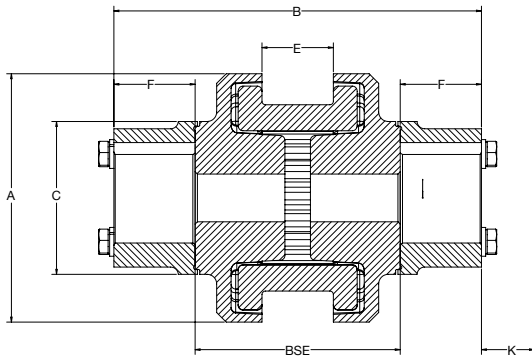
Cplg. Size	BSE Distance		Pump Standard	Flange Number	Spacer Design	Min. Bore (in.)	Max. Bore (in.)	A (in.)	B (in.)	C (in.)	E (in.)	F (in.)	K (in.)	Inertia (lbs. - in. <sup>2</sup> ) <sup>(1)</sup>	Weight (lbs.) <sup>(2)</sup>
	(in.)	(mm)													
5SC	3.5	89	ANSI	5SC35	1	0.500	1.125	3.250	—	2.000	0.750	1.090	0.560	—	—
	3.94	100	ISO	5SC-100mm	2				6.063					3.69	4.35
	5.51	140	ISO	5SC-140mm	—				7.638					4.29	5.45
6SC	3.5	89	ANSI	6SC35	1	0.625	1.375	4.000	—	2.500	0.875	1.220	0.750	—	—
	3.94	100	ISO	6SC-100mm	2				6.299					11.02	7.91
	4.375	111	ANSI	6SC44	—				—					—	—
	5	127	ANSI	6SC50	—				—					—	—
	5.51	140	ISO	6SC-140mm	2				7.874					13.30	9.99
	7.09	180	ISO	6SC-180mm					9.449					15.70	12.25
9.84	250	ISO	6SC-250mm	—	12.205	19.90	16.25								
7SC	3.5	89	ANSI	7SC35	—	0.625	1.625	4.625	—	2.810	1.000	1.470	0.630	15.93	9.58
	3.94	100	ISO	7SC-100mm	1				6.772					—	—
	4.375	111	ANSI	7SC44	—				—					—	—
	5	127	ANSI	7SC50	—				—					—	—
	5.51	140	ISO	7SC-140mm	2				8.346					18.35	11.58
	7.09	180	ISO	7SC-180mm					9.921					20.67	13.82
9.84	250	ISO	7SC-250mm	—	12.677	24.75	17.74								
8SC	3.5	89	ANSI	8SC35	—	0.750	1.875	4.450	—	3.250	1.130	1.720	0.810	—	—
	3.94	100	ISO	8SC-100mm	1				7.323					32.94	13.38
	4.375	111	ANSI	8SC44	—				—					—	—
	5	127	ANSI	8SC50	—				—					—	—
	5.51	140	ISO	8SC-140mm	2				8.898					39.16	17.06
	7.09	180	ISO	8SC-180mm					10.472					43.36	20.06
9.84	250	ISO	8SC-250mm	—	13.228	50.70	25.28								
8SC-10	3.5	89	ANSI	8SC35-10	1	1.125	2.375	—	4.375	—	—	2.340	1.190	—	—
	5	127	ANSI	8SC50-10	2			—						—	—
9SC	3.5	89	ANSI	9SC35	—	0.875	2.125	6.350	—	3.625	1.440	1.970	1.060	—	—
	3.94	100	ISO	9SC-100mm	1				7.795					65.57	20.13
	4.375	111	ANSI	9SC44	—				—					—	—
	5	127	ANSI	9SC50	—				—					—	—
	5.51	140	ISO	9SC-140mm	1				9.370					76.97	25.37
	7.09	180	ISO	9SC-180mm	2				10.945					78.03	26.77
9.84	250	ISO	9SC-250mm	13.701		89.09	33.09								

(1) Dodge D-Flex Type-SC couplings are available in custom BSE dimensions within this range. Contact Baldor for further details.

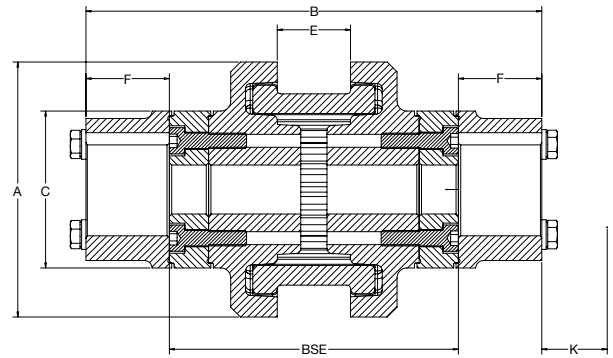
(2) Inertia is for the complete coupling with rough stock bore and fully split EPDM element.

(3) Weight is for the complete coupling with rough stock bore and fully split EPDM element.

## D-Flex Couplings



Type 1



Type 2

### DIMENSIONS

Cplg. Size	BSE Distance		Pump Standard	Flange Number	Spacer Type	Min. Bore (in.)	Max. Bore (in.)	A (in.)	B (in.)	C (in.)	E (in.)	F (in.)	K (in.)	Inertia (lbs. - in. <sup>2</sup> ) <sup>(1)</sup>	Weight (lbs.) <sup>(2)</sup>
	(in.)	(mm)													
9SC-11	5	127	ANSI	9SC50-11	1	1.125	2.875	6.350	-	5.250	1.440	2.720	1.190	-	-
	7	178	ANSI	9SC70-11					-					-	
	7.75	197	MISC	9SC78-11					-					-	
10SC	4.75	121	MISC	10SC48	-	1.125	2.375	7.500	-	4.375	1.614	2.375	1.190	-	-
	5	127	ANSI	10SC50	-				-						
	5.51	140	ISO	10SC-140mm	1				10.079					160.15	36.38
	7.09	180	ISO	10SC-180mm	2				11.654					170.29	40.44
	9.84	250	ISO	10SC-250mm					14.409					193.69	49.58
10SC-13	7	178	ANSI	10SC70-13	-	2.125	3.375	-	6.125	3.375	1.880	-	-	-	-
	7.75	197	MISC	10SC78-13	-			-				-			
	10	254	MISC	10SC100-13	-			-				-	-		
11SC	4.75	121	MISC	11SC48	-	1.125	2.875	8.630	-	5.250	1.890	2.720	1.190	-	-
	5	127	ANSI	11SC50	-				-					-	
	5.51	140	ISO	11SC-140mm	1				10.866					338.07	56.75
	7.09	180	ISO	11SC-180mm					12.441					377.43	66.27
	9.84	250	ISO	11SC-250mm					15.197					419.65	77.91
11SC-14	7	178	ANSI	11SC70-14	-	3.875	-	6.500	3.840	2.000	-	-	-	-	
	7.75	197	MISC	11SC78-14	-		-				-				
	10	254	MISC	11SC100-14	-		-				-	-			
12SC	7	178	ANSI	12SC70	-	1.875	2.875	10.000	-	5.750	2.323	2.970	1.500	-	-
	7.09	180	ISO	12SC-180mm	1				12.913					668.08	84.62
	7.75	197	MISC	12SC78	-				-					-	-
	9.84	250	ISO	12SC-250mm	2				15.669					756.72	101.00
12SC-14	7	178	ANSI	12SC70-14	-	3.875	-	6.500	3.840	2.000	-	-	-	-	
	7.75	197	MISC	12SC78-14	-		-				-	-			
	10	254	MISC	12SC100-14	-		-				-	-			
13SC	7.09	180	ISO	13SC-180mm	1	2.125	3.375	11.750	13.701	6.125	2.677	3.346	1.880	1483.55	120.50
	7.75	197	MISC	13SC78	-				-					-	-
	9.84	250	ISO	13SC-250mm	2				16.457					1458.83	127.44
14SC	7.75	197	MISC	14SC78	-	-	3.875	13.875	-	6.500	3.250	3.840	2.000	-	-

(1) Dodge D-Flex Type-SC couplings are available in custom BSE dimensions within this range. Contact Baldor for further details.

(2) Inertia is for the complete coupling with rough stock bore and fully split EPDM element.

(3) Weight is for the complete coupling with rough stock bore and fully split EPDM element.

# D-Flex Couplings

## TYPE "SC" COUPLINGS - SPACER FLANGE PART NUMBERS

BSE Distance		Pump Standard	Coupling Size														
(inch)	(mm)		5SC	6SC	7SC	8SC	8SC-10	9SC	9SC-11	10SC	10SC-13	11SC	11SC-14	12SC	12SC-14	13SC	14SC
3.5	89	ANSI	022000	022001	022004	022007	022775	022010	-	-	-	-	-	-	-	-	-
3.94	100	ISO	022424	022422	022826	022830	-	022834	-	-	-	-	-	-	-	-	-
4.375	111	ANSI	-	022002	022005	022008	-	022011	-	-	-	-	-	-	-	-	-
4.75	121	MISC	-	-	-	-	-	-	-	022013	-	022015	-	-	-	-	-
5	127	ANSI	-	022003	022006	022009	022776	022012	022777	022014	-	022016	-	-	-	-	-
5.51	140	ISO	022425	022823	022827	022831	-	022835	-	022838	-	022841	-	-	-	-	-
7	178	ANSI	-	-	-	-	-	-	022778	-	022780	-	022783	022017	022786	-	-
7.09	180	ISO	-	022824	022828	022832	-	022836	-	022839	-	022842	-	022844	-	022846	-
7.75	197	ANSI	-	-	-	-	-	-	022779	-	022781	-	022784	022018	022787	021997	021998
9.84	250	ISO	-	022825	022829	022833	-	022837	-	022840	-	022843	-	022845	-	022847	-
10	254	MISC	-	-	-	-	-	-	-	-	022782	-	022785	-	022788	-	-

Additional spacer lengths are available for D-Flex Type-SC couplings. Minimum and maximum BSE's are shown in dimensional information on page 146.

## SPACER SHAFT HUB PART NUMBERS - INCH BORE

Bore (inch)	Coupling Size									
	5H	6H	7H	8H	9H	10H	11H	12H	13H	14H
Reborable	022220	022221	022222	022223	022224	022225	022226	022227	022228	660248
Finished Bore Hubs										
1/2	022329	-	-	-	-	-	-	-	-	-
5/8	022331•	022340	022353	-	-	-	-	-	-	-
11/16	022332	022341	022354	-	-	-	-	-	-	-
3/4	022333•	022342•	022355	022368	-	-	-	-	-	-
7/8	022335•	022344•	022357•	022370	022387	-	-	-	-	-
15/16	022336	022345	022358	022371	022388	-	-	-	-	-
1	022337•	022346•	022359•	022372•	022389	-	-	-	-	-
1-1/8	022339•	022348•	022361•	022374•	022391	022409	0022452	-	-	-
1-1/8 (1)	-	-	-	-	022392 (1)•	022410 (1)•	022453 (1)	-	-	-
1-3/16	-	022349	022362	022375	022393	022411	022454	-	-	-
1-1/4	-	022350•	022363	022376	022394	022412	022455	-	-	-
1-5/16	-	022351	022364	022377	022395	022413	022456	-	-	-
1-3/8	-	022352	022365•	022378•	022396•	022414	022457	-	-	-
1-7/16	-	-	-	022379	022397	022415	022458	-	-	-
1-1/2	-	-	022366•	022380•	022398•	022416	022459	-	-	-
1-9/16	-	-	-	022381	022399	022417	022460	-	-	-
1-5/8	-	-	022367•	022382•	022400•	022418•	022461	-	-	-
1-5/8 (1)	-	-	-	-	-	-	022462 (1)	-	-	-
1-3/4	-	-	-	022384•	022402•	022420	022464	-	-	-
1-7/8	-	-	-	022386•	022404•	022428•	022466•	022483	-	-
1-15/16	-	-	-	-	022405	022429	022467	022484	-	-
2	-	-	-	-	022406	022430	022468	022485	-	-
2-1/8	-	-	-	-	022408•	022432•	022470•	022487	022813	-
2-3/16	-	-	-	-	-	022433	022471	022488	-	-
2-1/4	-	-	-	-	-	022434	022472	022489	-	-
2-5/16	-	-	-	-	-	022435	022473	022490	-	-
2-3/8	-	-	-	-	-	022436•	022474•	022491	022810	022815•
2-3/8 (1)	-	-	-	-	-	-	-	022492 (1)	022814 (1)	-
2-7/16	-	-	-	-	-	-	022475	022493	-	-
2-1/2	-	-	-	-	-	-	022476	022494	-	-
2-5/8	-	-	-	-	-	-	022478	022496	-	-
2-11/16	-	-	-	-	-	-	022479	022497	-	-
2-3/4	-	-	-	-	-	-	022480	022498	-	-
2-7/8	-	-	-	-	-	-	022482•	022500	022811	022816
3-3/8	-	-	-	-	-	-	-	-	022812	022817
3-7/8	-	-	-	-	-	-	-	-	-	022818

• Stock hub assemblies

(1) HS (Short Hub)

Complete coupling consists of (2) shaft hubs, (2) spacer flanges, and (1) sleeve (see page 139.)

Unless otherwise specified, all D-Flex Type SC shaft hubs are clearance fit per AGMA 9002. See page 157 for additional details.

# D-Flex Couplings

## SPACER SHAFT HUB PART NUMBERS - METRIC BORE

Bore (mm)	Coupling Size									
	5H	6H	7H	8H	9H	10H	11H	12H	13H	14H
Metric Hardware Kit	411982	411983	411984	411985	411986	411987	411988	411989	411990	426296
Reborable	022220	022221	022222	022223	022224	022225	022226	022227	022228	660248
12	022848	–	–	–	–	–	–	–	–	–
14	022849	–	–	–	–	–	–	–	–	–
16	022850	022859	022871	–	–	–	–	–	–	–
18	022851	022860	022872	–	–	–	–	–	–	–
19	022852	022861	022873	–	–	–	–	–	–	–
20	022853	022862	022874	022885	–	–	–	–	–	–
22	022854	022863	022875	022886	–	–	–	–	–	–
24	022855	022864	022876	022887	022899	–	–	–	–	–
25	022856	022865	022877	022888	022900	–	–	–	–	–
28	022857	022866	022878	022889	022901	–	–	–	–	–
30	022858	022867	022879	022890	022902	022911	022922	–	–	–
32	–	022868	022880	022891	022903	022912	022923	–	–	–
35	–	022869	022881	022892	022904	022913	022924	–	–	–
38	–	022870	022882	022893	022905	022914	022925	–	022942	–
40	–	–	022883	022894	022906	022915	022926	–	022943	–
42	–	–	022884	022895	022907	022916	022927	–	022944	–
45	–	–	–	022896	022908	022917	022928	–	022945	–
48	–	–	–	022897	022909	022918	022929	022935	022946	–
50	–	–	–	022898	022910	022919	022930	022936	022947	–
55	–	–	–	–	–	022920	022931	022937	022948	–
60	–	–	–	–	–	022921	022932	022938	022949	–
65	–	–	–	–	–	–	022933	022939	022950	–
70	–	–	–	–	–	–	022934	022940	022951	–
75	–	–	–	–	–	–	–	–	022952	–
80	–	–	–	–	–	–	–	–	022953	–
85	–	–	–	–	–	–	–	–	022954	–

\* Includes metric setscrews

(1) Unless otherwise specified, all D-Flex shaft hubs are clearance fit per ISO R775. See page 159 for additional details.

BUSHINGS & HUBS

SHEAVES

SYNCHRONOUS DRIVES

COUPLINGS

PART NUMBER INDEX

## Para-Flex® Couplings



### QD Flange Design

- Utilizes standard QD bushings for easy installation and removal
- Industry leading bore and torque capacities versus competitive designs
- Hardware installs from inside or outside of the hub for mounting flexibility
- Pre-assembled for quick installation

### Superior “Problem Solver” Element Design

- Industry leading misalignment capabilities
- End split reinforcement for increased torque ratings and extended life
- Reinforced torque-carrying tension cords prevent unexpected downtime
- Uniform and centered beads prevent element pull out during operation
- Protects connected equipment by damping vibrations and shock loads

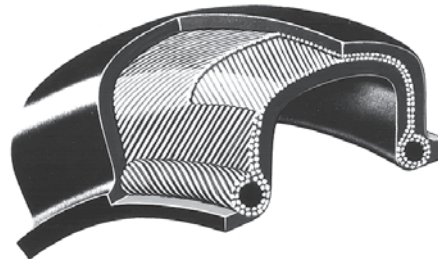
### Industry Leading Five-Year Limited Warranty

- Over 50 years of proven performance
- Reliable product operation

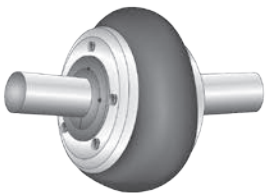


### Increased Productivity

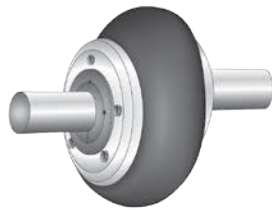
- Non-lubricated design assures trouble-free operation
- Visual inspection saves time and allows for preventive maintenance
- Split element for easy installation



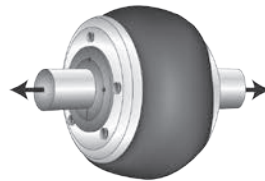
### Accommodates Misalignment



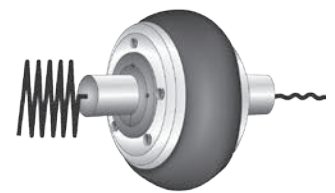
Takes 4° angular misalignment



Takes 1/8 in. parallel misalignment



Takes end-float of 1/4 in. to 5/16 in.



Damps vibrations



## Para-Flex® Couplings

### Specification

Para-Flex couplings employ a molded, non-lubricated elastomeric flexing member loaded in shear. The flexible element is compounded natural or neoprene rubber with textile cord reinforcement throughout and has an extra layer of reinforcement adjacent to the split for added durability. The compound of natural rubber element shall be suitable for operation in ambient temperature from -45°F to +180°F.

The flexible element is attached by clamping between axially separable rings with exposed cap screws. The couplings are designed to be capable of accommodating combined misalignments of 4° angular, 1/8 in. parallel, and 5/16 in. end float at the full rating of the coupling without restricting the life of the coupling. The flexible element must be replaceable without disturbing the coupled equipment and without the requirement for realignment.

The coupling assemblies have QD bushing shaft attachment method.

1 PX40: 4° angular, 1/16 in. parallel, 3/16 in. end float.

2 PX110: 4° angular, 1/8 in. parallel, 1/4 in. end float.

Para-Flex couplings are static conductive.

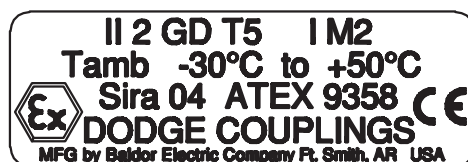
### How to Order

Standard couplings consist of:

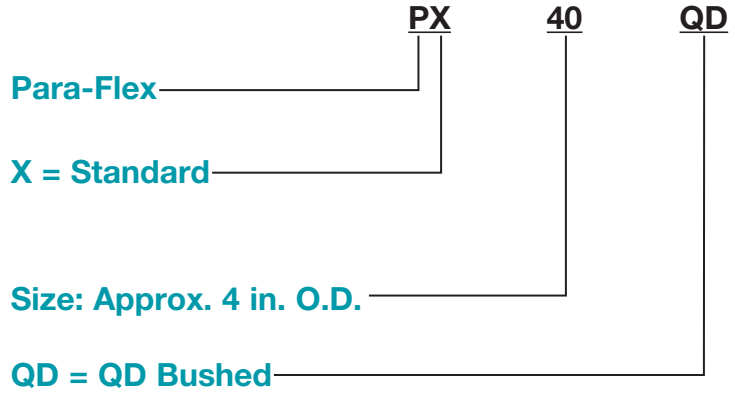
- (2) Flange assemblies
- (1) Flexible element
- (2) Bushings (QD)

### ATEX Approved

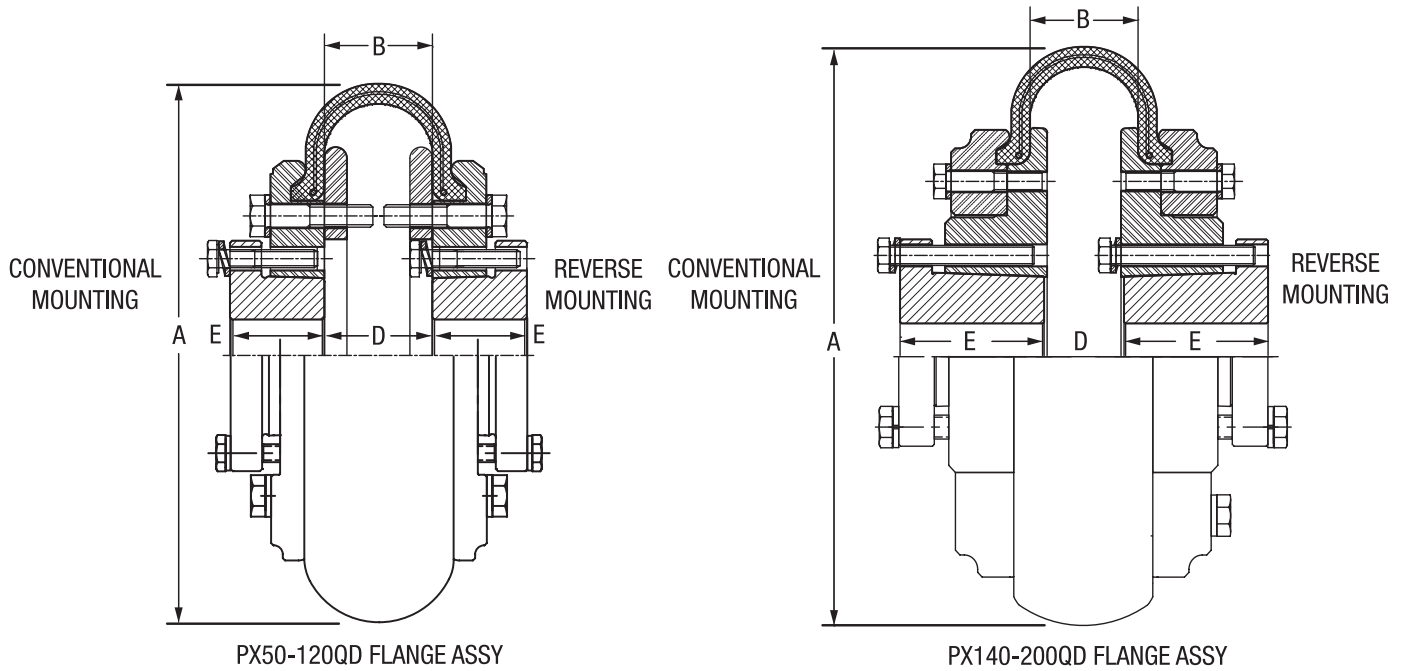
- All documents and markings included with standard product to meet ATEX requirements
- No additional charges



## Para-Flex® Couplings - Nomenclature



## Para-Flex® Couplings



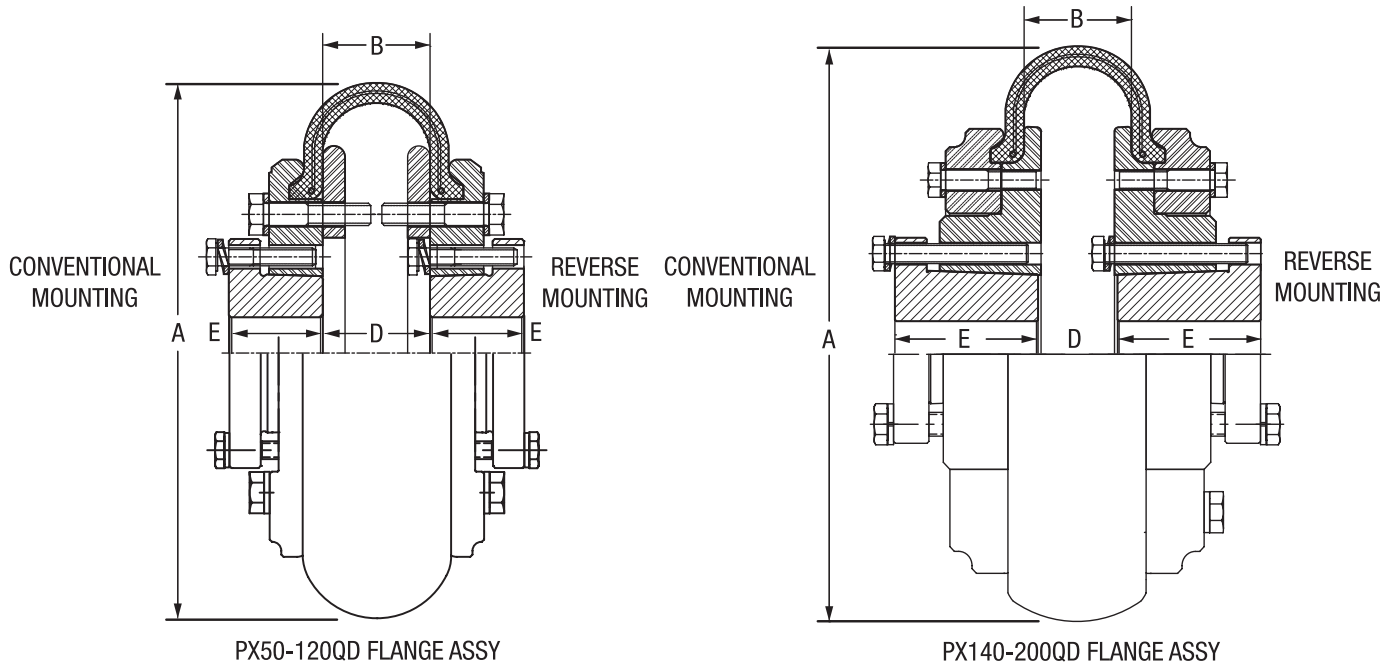
### DIMENSIONS - STANDARD, QD BUSHED

Coupling Size	Bushing Size	Max. Bore (in.)			HP/100	Torque Rating (in. - lbs.)	Max. RPM	Style	Dimensions (in.)				Weight <sup>(1)</sup> (lbs.)	Inertia <sup>(2)</sup> (lb. - ft.)
		Full kW	Shallow kW	No kW					A	B	D	E		
PX50QD	JA	1	1-3/16	1-1/4	1.43	900	4500	1	5-1/4	3-7/8	1	1-17/32	4.7	0.08
PX60QD	SH	1-3/8	1-5/8	1-11/16	2.86	1800	4000	1	6-1/2	4-23/32	1-1/4	1-25/32	8.0	0.24
PX70QD	SDS	1-5/8	1-15/16	2	3.49	2200	3600	1	7-3/8	4-17/32	1-5/16	1-1/2	10.7	0.45
PX80QD	SK	2-1/8	2-1/2	2-5/8	5.72	3600	3100	1	8-3/8	5-13/16	3-7/8	1-1/2	15.5	0.88
PX90QD	SK	2-1/8	2-1/2	2-5/8	7.15	4350	2800	1	9-1/4	5-7/8	3-7/8	1-9/16	22.0	1.60
PX100QD	SF	2-5/16	2-15/16	-	8.58	5250	2600	1	10	6-1/8	4-5/8	1-15/32	32.0	2.90
PX110QD	SF	2-5/16	2-15/16	-	12.3	7750	2300	1	11	5-7/8	4-5/8	1-3/16	46.0	4.30
PX120QD	E	2-7/8	3-1/2	-	20	12540	2100	1	12-3/8	7-1/4	6	1-1/4	59.8	6.70
PX140QD	F	3-1/4	3-15/16	4	44	27590	1840	2	14-1/8	9-1/2	6-5/8	1-3/8	132.5	19.50
PX160QD	J	3-3/4	4-1/2	-	60	37800	1560	2	16-5/8	11-1/2	7-1/4	1-3/8	208.7	34.60
PX200QD	J	3-3/4	4-1/2	-	131	82500	1300	2	20	11-3/4	7-1/4	1-13/16	366.0	103.00

**Notes:**

- (1) Weight of complete coupling with bushings
- (2) Inertia of complete coupling with bushing

## Para-Flex® Couplings



### PART NUMBERS - STANDARD, QD BUSHED

Size	PXQD Flanges		Elements Standard
	Description	Part No.	
PX50	PX50QD FLANGE ASSEMBLY	013210	011105
PX60	PX60QD FLANGE ASSEMBLY	013211	011106
PX70	PX70QD FLANGE ASSEMBLY	013212	011107
PX80	PX80QD FLANGE ASSEMBLY	013213	011108
PX90	PX90QD FLANGE ASSEMBLY	013214	011109
PX100	PX100QD FLANGE ASSEMBLY	013215	011110
PX110	PX110QD FLANGE ASSEMBLY	013216	011111
PX120	PX120QD FLANGE ASSEMBLY	013217	011112
PX140	PX140QD FLANGE ASSEMBLY	013218	011114
PX160	PX160QD FLANGE ASSEMBLY	013219	011117
PX200	PX200QD FLANGE ASSEMBLY	013220	011120

Complete Para-Flex QD coupling consists of one element, two flanges, and two QD bushings.  
For QD bushings, reference page 6.

## TEMPERATURE RANGE

Coupling Type	°F
Para-Flex®	-45°F to +180°F
D-Flex	
EPDM	-30°F to +275°F
Neoprene	0°F to +200°F
Hytrel	-65°F to +250°F
StarFlex	
NBR (Rubber)	-40°F to +212°F
Urethane	-30°F to +160°F
Hytrel	-60°F to +250°F
Bronze	-40°F to +450°F

## STARFLEX MISALIGNMENT

Size	Parallel (in.)		Angular	
	NBR, Urethane, Hytrel	Bronze	NBR, Urethane	Hytrel, Bronze
L035	0.015	–	–	–
L050	0.015	0.010	–	–
L070	0.015	0.010	–	–
L075	0.015	0.010	–	–
L090	0.015	0.010	–	–
L095	0.015	0.010	–	–
L099	0.015	0.010	–	–
L100	0.015	0.010	–	–
L110	0.015	0.010	–	–
L150	0.015	0.010	–	–
L190	0.015	0.010	–	–
L225	0.015	0.010	–	–

## D-FLEX MISALIGNMENT

Size	Types JE, JN, E & N			Types H & HS <sup>(4)</sup>		
	Parallel <sup>(1)</sup>	Angular <sup>(2)</sup>	End Float <sup>(3)</sup>	Parallel <sup>(1)</sup>	Angular <sup>(2)</sup>	End Float <sup>(3)</sup>
3	0.010	1°	± 0.030	–	–	–
4	0.010	1°	± 0.030	–	–	–
5	0.015	1°	± 0.046	–	–	–
6	0.015	1°	± 0.060	.010	1/4°	± 0.060
7	0.020	1°	± 0.060	.012	1/4°	± 0.060
8	0.020	1°	± 0.096	.015	1/4°	± 0.096
9	0.025	1°	± 0.096	.017	1/4°	± 0.096
10	0.025	1°	± 0.125	.020	1/4°	± 0.125
11	0.032	1°	± 0.125	.022	1/4°	± 0.125
12	0.032	1°	± 0.125	.025	1/4°	± 0.125
13	0.040	1°	± 0.125	.030	1/4°	± 0.125
14	0.045	1°	± 0.125	.035	1/4°	± 0.125
16	0.062	1°	± 0.125	–	1/4°	–

**NOTE:** (1) All dimensions are in inches

(2) Values are for when 1/4 or more of the rated torque is transmitted.  
Reduce values by 50% for lower torques

(3) Increase E dimension by this amount to accommodate end float.

(4) Types H & HS should not be used as direct replacements for EPDM or Neoprene sleeves

STARFLEX TORQUE AND SPEED RATINGS

Size	Torque (in. - lbs.)				Speed (RPM)	
	NBR	Urethane	Hytrel	Bronze	NBR, Urethane, Hytrel	Bronze
L035	3.5	—	—	—	31,000	250
L050	26	39	50	50	18,000	250
L070	43	65	114	114	14,000	250
L075	90	135	227	227	11,000	250
L090	144	216	401	401	9,000	250
L095	194	291	561	561	9,000	250
L099	318	477	792	792	7,000	250
L100	417	626	1,134	1,134	7,000	250
L110	792	1,188	2,268	2,268	5,000	250
L150	1,240	2,860	3,708	3,708	5,000	250
L190	1,728	2,592	4,680	4,680	5,000	250
L225	2,340	3,510	6,228	6,228	4,200	250

TORSIONAL STIFFNESS

Para-Flex®	
Size	in. - lbs./Degree <sup>(4)</sup>
PX40	120
PX50	224
PX60	414
PX70	544
PX80	876
PX90	1088
PX100	1530
PX110	2420
PX120	4014
PX140	8296
PX160	12,000
PX200	29,000

(4) Values are nominal and may vary +/- 20%. To convert static values to approximate dynamic values, multiply the static values by 1.2

D-FLEX TORSIONAL STIFFNESS\*

Size	EPDM & Neoprene (in. - lbs./radian)	Hytrel (in. - lbs./radian)
3	229	—
4	458	—
5	916	—
6	1,718	10,000
7	2,769	20,000
8	4,335	30,000
9	6,875	47,500
10	10,980	100,000
11	17,300	125,000
12	27,500	225,000
13	43,350	368,900
14	68,775	593,250
16	180,480	—

\* Values shown are for an ambient temperature of 75°F

D-FLEX SPACER BOLT TORQUES

Size	Shaft Hub Bolts <sup>(1)</sup>	
	Number	Torque ft. - lbs.
5SCH	4	4
6SCH	4	9
7SCH	4	9
8SCH	4	18
9SCH	4	31
10SCH	4	50
11SCH	4	75
12SCH	4	150
13SCH	4	150
14SCH	4	150

(1) SAE Grade 8

AMGA 9002 INCH BORE AND KEYWAY FITS

Nominal Shaft Diameter	Shaft Diameter		Clearance Fit				Interference Fit				Standard Keyway (Square Key)						Shallow Keyway (Rectangular Keys)					
	Min.	Max.	Hub Bore		Fit		Hub Bore		Fit		Nominal		Width		Scribe Height		Nominal		Width		Scribe Height	
			Min.	Max.	Min.	Max.	Min.	Max.	Min.	Max.	Min.	Max.	Min.	Max.	Min.	Max.	Width	Height	Min.	Max.	Min.	Max.
1/2 - 1-1/2 (incl.)	-0.0005	+0.0000	+0.000	+0.0010	-0.0000	+0.0015	-0.0010	-0.0005	-0.0000	-0.0010	-	-	-	-	-	-	-	-	-	-	-	-
1/2	0.4995	0.5000	0.5000	0.5010	-0.0000	+0.0015	0.4990	0.4995	-0.0000	-0.0010	0.1250	0.1250	0.1250	0.1270	0.5546	0.5646	0.1250	0.0937	0.1250	0.1270	0.5389	0.5489
5/8	0.6245	0.6250	0.6250	0.6260	-0.0000	+0.0015	0.6240	0.6245	-0.0000	-0.0010	0.1250	0.1250	0.1250	0.1270	0.6812	0.6912	0.1250	0.0937	0.1250	0.1270	0.6655	0.6755
3/4	0.7495	0.7500	0.7500	0.7510	-0.0000	+0.0015	0.7490	0.7495	-0.0000	-0.0010	0.1875	0.1875	0.1875	0.1895	0.8318	0.8418	0.1875	0.1250	0.1875	0.1895	0.8006	0.8106
7/8	0.8745	0.8750	0.8750	0.8760	-0.0000	+0.0015	0.8740	0.8745	-0.0000	-0.0010	0.1875	0.1875	0.1875	0.1895	0.9586	0.9686	0.1875	0.1250	0.1875	0.1895	0.9273	0.9373
15/16	0.9370	0.9375	0.9375	0.9385	-0.0000	+0.0015	0.9365	0.9370	-0.0000	-0.0010	0.2500	0.2500	0.2500	0.2520	1.0455	1.0555	0.2500	0.1875	0.2500	0.2520	1.0143	1.0243
1	0.9995	1.0000	1.0000	1.0010	-0.0000	+0.0015	0.9990	0.9995	-0.0000	-0.0010	0.2500	0.2500	0.2500	0.2520	1.1091	1.1191	0.2500	0.1875	0.2500	0.2520	1.0779	1.0879
1-1/16	1.0620	1.0625	1.0625	1.0635	-0.0000	+0.0015	1.0615	1.0620	-0.0000	-0.0010	0.2500	0.2500	0.2500	0.2520	1.1726	1.1826	0.2500	0.1875	0.2500	0.2520	1.1413	1.1513
1-1/8	1.1245	1.1250	1.1250	1.1260	-0.0000	+0.0015	1.1240	1.1245	-0.0000	-0.0010	0.2500	0.2500	0.2500	0.2520	1.2359	1.2459	0.2500	0.1875	0.2500	0.2520	1.2047	1.2147
1-3/16	1.1870	1.1875	1.1875	1.1885	-0.0000	+0.0015	1.1865	1.1870	-0.0000	-0.0010	0.2500	0.2500	0.2500	0.2520	1.2992	1.3092	0.2500	0.1875	0.2500	0.2520	1.2679	1.2779
1-1/4	1.2495	1.2500	1.2500	1.2510	-0.0000	+0.0015	1.2490	1.2495	-0.0000	-0.0010	0.2500	0.2500	0.2500	0.2520	1.3624	1.3724	0.2500	0.1875	0.2500	0.2520	1.3311	1.3411
1-5/16	1.3120	1.3125	1.3125	1.3135	-0.0000	+0.0015	1.3115	1.3120	-0.0000	-0.0010	0.3125	0.3125	0.3125	0.3145	1.4499	1.4599	0.3125	0.2500	0.3125	0.3145	1.4186	1.4286
1-3/8	1.3745	1.3750	1.3750	1.3760	-0.0000	+0.0015	1.3740	1.3745	-0.0000	-0.0010	0.3125	0.3125	0.3125	0.3145	1.5133	1.5233	0.3125	0.2500	0.3125	0.3145	1.4820	1.4920
1-7/16	1.4370	1.4375	1.4375	1.4385	-0.0000	+0.0015	1.4365	1.4370	-0.0000	-0.0010	0.3750	0.3750	0.3750	0.3775	1.6001	1.6101	0.3750	0.2500	0.3750	0.3775	1.5376	1.5476
1-1/2	1.4995	1.5000	1.5000	1.5010	-0.0000	+0.0015	1.4990	1.4995	-0.0000	-0.0010	0.3750	0.3750	0.3750	0.3775	1.6637	1.6737	0.3750	0.2500	0.3750	0.3775	1.6012	1.6112
1-1/2 - 3 (incl.)	-0.0010	+0.0000	+0.000	+0.0010	-0.0000	+0.0020	-0.0020	-0.0010	-0.0000	-0.0020	0.3750	0.3750	0.3750	0.3775	-	-	0.3750	0.2500	0.3750	0.3775	-	-
1-9/16	1.5615	1.5625	1.5625	1.5635	-0.0000	+0.0020	1.5605	1.5615	-0.0000	-0.0020	0.3750	0.3750	0.3750	0.3775	1.7272	1.7372	0.3750	0.2500	0.3750	0.3775	1.6647	1.6747
1-5/8	1.6240	1.6250	1.6250	1.6260	-0.0000	+0.0020	1.6230	1.6240	-0.0000	-0.0020	0.3750	0.3750	0.3750	0.3775	1.7906	1.8006	0.3750	0.2500	0.3750	0.3775	1.7281	1.7381
1-11/16	1.6865	1.6875	1.6875	1.6885	-0.0000	+0.0020	1.6855	1.6865	-0.0000	-0.0020	0.3750	0.3750	0.3750	0.3775	1.8539	1.8639	0.3750	0.2500	0.3750	0.3775	1.7914	1.8014
1-3/4	1.7490	1.7500	1.7500	1.7510	-0.0000	+0.0020	1.7480	1.7490	-0.0000	-0.0020	0.3750	0.3750	0.3750	0.3775	1.9172	1.9272	0.3750	0.2500	0.3750	0.3775	1.8547	1.8647
1-13/16	1.8115	1.8125	1.8125	1.8135	-0.0000	+0.0020	1.8105	1.8115	-0.0000	-0.0020	0.5000	0.5000	0.5000	0.5025	2.0273	2.0373	0.5000	0.3750	0.5000	0.5025	1.9648	1.9748
1-7/8	1.8740	1.8750	1.8750	1.8760	-0.0000	+0.0020	1.8730	1.8740	-0.0000	-0.0020	0.5000	0.5000	0.5000	0.5025	2.0911	2.1011	0.5000	0.3750	0.5000	0.5025	2.0286	2.0386
1-15/16	1.9365	1.9375	1.9375	1.9385	-0.0000	+0.0020	1.9355	1.9365	-0.0000	-0.0020	0.5000	0.5000	0.5000	0.5025	2.1547	2.1647	0.5000	0.3750	0.5000	0.5025	2.0922	2.1022
2	1.9990	2.0000	2.0000	2.0010	-0.0000	+0.0020	1.9980	1.9990	-0.0000	-0.0020	0.5000	0.5000	0.5000	0.5025	2.2182	2.2282	0.5000	0.3750	0.5000	0.5025	2.1557	2.1657
2-1/16	2.0615	2.0625	+0.000	+0.0015	-0.0000	+0.0025	2.0605	2.0615	-0.0000	-0.0020	0.5000	0.5000	0.5000	0.5025	2.2817	2.2917	0.5000	0.3750	0.5000	0.5025	2.2192	2.2292
2-1/8	2.1240	2.1250	2.1250	2.1265	-0.0000	+0.0025	2.1230	2.1240	-0.0000	-0.0020	0.5000	0.5000	0.5000	0.5025	2.3452	2.3552	0.5000	0.3750	0.5000	0.5025	2.2827	2.2927
2-3/16	2.1865	2.1875	2.1875	2.1890	-0.0000	+0.0025	2.1855	2.1865	-0.0000	-0.0020	0.5000	0.5000	0.5000	0.5025	2.4085	2.4185	0.5000	0.3750	0.5000	0.5025	2.3460	2.3560
2-1/4	2.2490	2.2500	2.2500	2.2515	-0.0000	+0.0025	2.2480	2.2490	-0.0000	-0.0020	0.5000	0.5000	0.5000	0.5025	2.4719	2.4819	0.5000	0.3750	0.5000	0.5025	2.4094	2.4194
2-5/16	2.3115	2.3125	2.3125	2.3140	-0.0000	+0.0025	2.3105	2.3115	-0.0000	-0.0020	0.6250	0.6250	0.6250	0.6280	2.5820	2.5920	0.6250	0.4375	0.6250	0.6280	2.4882	2.4982
2-3/8	2.3740	2.3750	2.3750	2.3765	-0.0000	+0.0025	2.3730	2.3740	-0.0000	-0.0020	0.6250	0.6250	0.6250	0.6280	2.6456	2.6556	0.6250	0.4375	0.6250	0.6280	2.5519	2.5619
2-7/16	2.4365	2.4375	2.4375	2.4390	-0.0000	+0.0025	2.4355	2.4365	-0.0000	-0.0020	0.6250	0.6250	0.6250	0.6280	2.7093	2.7193	0.6250	0.4375	0.6250	0.6280	2.6159	2.6259
2-1/2	2.4990	2.5000	2.5000	2.5015	-0.0000	+0.0025	2.4980	2.4990	-0.0000	-0.0020	0.6250	0.6250	0.6250	0.6280	2.7728	2.7828	0.6250	0.4375	0.6250	0.6280	2.6791	2.6891
2-9/16	2.5615	2.5625	2.5625	2.5640	-0.0000	+0.0025	2.5605	2.5615	-0.0000	-0.0020	0.6250	0.6250	0.6250	0.6280	2.8363	2.8463	0.6250	0.4375	0.6250	0.6280	2.7426	2.7526
2-5/8	2.6240	2.6250	2.6250	2.6265	-0.0000	+0.0025	2.6230	2.6240	-0.0000	-0.0020	0.6250	0.6250	0.6250	0.6280	2.8998	2.9098	0.6250	0.4375	0.6250	0.6280	2.8060	2.8160
2-11/16	2.6865	2.6875	2.6875	2.6890	-0.0000	+0.0025	2.6855	2.6865	-0.0000	-0.0020	0.6250	0.6250	0.6250	0.6280	2.9632	2.9732	0.6250	0.4375	0.6250	0.6280	2.8694	2.8794
2-3/4	2.7490	2.7500	2.7500	2.7515	-0.0000	+0.0025	2.7480	2.7490	-0.0000	-0.0020	0.6250	0.6250	0.6250	0.6280	3.0265	3.0365	0.6250	0.4375	0.6250	0.6280	2.9328	2.9428
2-13/16	2.8115	2.8125	2.8125	2.8140	-0.0000	+0.0025	2.8105	2.8115	-0.0000	-0.0020	0.7500	0.7500	0.7500	0.7530	3.1366	3.1466	0.7500	0.5000	0.7500	0.7530	3.0116	3.0216
2-7/8	2.8740	2.8750	2.8750	2.8765	-0.0000	+0.0025	2.8730	2.8740	-0.0000	-0.0020	0.7500	0.7500	0.7500	0.7530	3.2002	3.2102	0.7500	0.5000	0.7500	0.7530	3.0752	3.0852
2-15/16	2.9365	2.9375	2.9375	2.9390	-0.0000	+0.0025	2.9355	2.9365	-0.0000	-0.0020	0.7500	0.7500	0.7500	0.7530	3.2638	3.2738	0.7500	0.5000	0.7500	0.7530	3.1388	3.1488
3	2.9990	3.0000	3.0000	3.0015	-0.0000	+0.0025	2.9980	2.9990	-0.0000	-0.0020	0.7500	0.7500	0.7500	0.7530	3.3274	3.3374	0.7500	0.5000	0.7500	0.7530	3.2024	3.2124
3 - 4 (incl.)	-0.0010	+0.0000	3 - 4 (incl.)	-	-0.0000	+0.0025	-0.0030	-0.0015	-0.0005	-0.0030	0.7500	0.7500	0.7500	0.7530	-	-	0.7500	0.5000	0.7500	0.7530	-	-
3-1/16	3.0615	3.0625	3.0625	3.0640	-0.0000	+0.0025	3.0595	3.0610	-0.0005	-0.0030	0.7500	0.7500	0.7500	0.7530	3.3909	3.4009	0.7500	0.5000	0.7500	0.7530	3.2659	3.2759
3-1/8	3.1240	3.1250	3.1250	3.1265	-0.0000	+0.0025	3.															

BUSHINGS & HUBS

SHEAVES

SYNCHRONOUS DRIVES

COUPLINGS

PART NUMBER INDEX

AMGA 9002 INCH BORE AND KEYWAY FITS

Nominal Shaft Diameter	Shaft Diameter		Clearance Fit				Interference Fit				Standard Keyway (Square Key)						Shallow Keyway (Rectangular Keys)					
	Min.	Max.	Hub Bore		Fit		Hub Bore		Fit		Nominal		Width		Scribe Height		Nominal		Width		Scribe Height	
			Min.	Max.	Min.	Max.	Min.	Max.	Min.	Max.	Min.	Max.	Min.	Max.	Min.	Max.	Min.	Max.	Min.	Max.	Min.	Max.
4-7/8	4.8740	4.8750	4.8750	4.8765	-0.0000	+0.0025	4.8715	4.8730	-0.0010	-0.0035	1.2500	1.2500	1.2500	1.2535	5.4185	5.4285	1.2500	0.8750	1.2500	1.2535	5.2310	5.2410
4-15/16	4.9365	4.9375	4.9375	4.9390	-0.0000	+0.0025	4.9340	4.9355	-0.0010	-0.0035	1.2500	1.2500	1.2500	1.2535	5.4821	5.4921	1.2500	0.8750	1.2500	1.2535	5.2946	5.3046
5	4.9990	5.0000	5.0000	5.0015	-0.0000	+0.0025	4.9965	4.9980	-0.0010	-0.0035	1.2500	1.2500	1.2500	1.2535	5.5456	5.5556	1.2500	0.8750	1.2500	1.2535	5.3581	5.3681
5 - 6-1/2 (incl.)	-0.0010	+0.0000	5 - 6-1/2 (incl.)	-	-0.0000	+0.0025	-0.0040	-0.0025	-0.0015	-0.0040	1.2500	1.2500	1.2500	1.2535	-	-	1.2500	0.8750	1.2500	1.2535	-	-
5-1/16	5.0615	5.0625	5.0625	5.0640	-0.0000	+0.0025	5.0585	5.0600	-0.0015	-0.0040	1.2500	1.2500	1.2500	1.2535	5.6091	5.6191	1.2500	0.8750	1.2500	1.2535	5.4216	5.4316
5-1/8	5.1240	5.1250	5.1250	5.1265	-0.0000	+0.0025	5.1210	5.1225	-0.0015	-0.0040	1.2500	1.2500	1.2500	1.2535	5.6726	5.6826	1.2500	0.8750	1.2500	1.2535	5.4851	5.4951
5-3/16	5.1865	5.1875	5.1875	5.1890	-0.0000	+0.0025	5.1835	5.1850	-0.0015	-0.0040	1.2500	1.2500	1.2500	1.2535	5.7361	5.7461	1.2500	0.8750	1.2500	1.2535	5.5486	5.5586
5-1/4	5.2490	5.2500	5.2500	5.2515	-0.0000	+0.0025	5.2460	5.2475	-0.0015	-0.0040	1.2500	1.2500	1.2500	1.2535	5.7995	5.8095	1.2500	0.8750	1.2500	1.2535	5.6120	5.6220
5-5/16	5.3115	5.3125	5.3125	5.3140	-0.0000	+0.0025	5.3085	5.3100	-0.0015	-0.0040	1.2500	1.2500	1.2500	1.2535	5.8629	5.8729	1.2500	0.8750	1.2500	1.2535	5.6754	5.6854
5-3/8	5.3740	5.3750	5.3750	5.3765	-0.0000	+0.0025	5.3710	5.3725	-0.0015	-0.0040	1.2500	1.2500	1.2500	1.2535	5.9263	5.9363	1.2500	0.8750	1.2500	1.2535	5.7388	5.7488
5-7/16	5.4365	5.4375	5.4375	5.4390	-0.0000	+0.0025	5.4335	5.4350	-0.0015	-0.0040	1.2500	1.2500	1.2500	1.2535	5.9897	5.9997	1.2500	0.8750	1.2500	1.2535	5.8022	5.8122
5-1/2	5.4990	5.5000	5.5000	5.5015	-0.0000	+0.0025	5.4960	5.4975	-0.0015	-0.0040	1.2500	1.2500	1.2500	1.2535	6.0530	6.0630	1.2500	0.8750	1.2500	1.2535	5.8655	5.8755
5-9/16	5.5615	5.5625	5.5625	5.5640	-0.0000	+0.0025	5.5585	5.5600	-0.0015	-0.0040	1.5000	1.5000	1.5000	1.5035	6.2095	6.2195	1.5000	1.0000	1.5000	1.5035	5.9595	5.9695
5-5/8	5.6240	5.6250	5.6250	5.6265	-0.0000	+0.0025	5.6210	5.6225	-0.0015	-0.0040	1.5000	1.5000	1.5000	1.5035	6.2732	6.2832	1.5000	1.0000	1.5000	1.5035	6.0232	6.0332
5-11/16	5.6865	5.6875	5.6875	5.6890	-0.0000	+0.0025	5.6835	5.6850	-0.0015	-0.0040	1.5000	1.5000	1.5000	1.5035	6.3368	6.3468	1.5000	1.0000	1.5000	1.5035	6.0868	6.0968
5-3/4	5.7490	5.7500	5.7500	5.7515	-0.0000	+0.0025	5.7460	5.7475	-0.0015	-0.0040	1.5000	1.5000	1.5000	1.5035	6.4005	6.4105	1.5000	1.0000	1.5000	1.5035	6.1505	6.1605
5-13/16	5.8115	5.8125	5.8125	5.8140	-0.0000	+0.0025	5.8085	5.8100	-0.0015	-0.0040	1.5000	1.5000	1.5000	1.5035	6.4641	6.4741	1.5000	1.0000	1.5000	1.5035	6.2141	6.2241
5-7/8	5.8740	5.8750	5.8750	5.8765	-0.0000	+0.0025	5.8710	5.8725	-0.0015	-0.0040	1.5000	1.5000	1.5000	1.5035	6.5276	6.5376	1.5000	1.0000	1.5000	1.5035	6.2776	6.2876
5-15/16	5.9365	5.9375	5.9375	5.9390	-0.0000	+0.0025	5.9335	5.9350	-0.0015	-0.0040	1.5000	1.5000	1.5000	1.5035	6.5912	6.6012	1.5000	1.0000	1.5000	1.5035	6.3412	6.3512
6	5.9990	6.0000	6.0000	6.0015	-0.0000	+0.0025	5.9960	5.9975	-0.0015	-0.0040	1.5000	1.5000	1.5000	1.5035	6.6547	6.6647	1.5000	1.0000	1.5000	1.5035	6.4047	6.4147
6-1/16	6.0615	6.0625	6.0625	6.0640	-0.0000	+0.0025	6.0585	6.0600	-0.0015	-0.0040	1.5000	1.5000	1.5000	1.5035	6.7183	6.7283	1.5000	1.0000	1.5000	1.5035	6.4683	6.4783
6-1/8	6.1240	6.1250	6.1250	6.1265	-0.0000	+0.0025	6.1210	6.1225	-0.0015	-0.0040	1.5000	1.5000	1.5000	1.5035	6.7817	6.7917	1.5000	1.0000	1.5000	1.5035	6.5317	6.5417
6-3/16	6.1865	6.1875	6.1875	6.1890	-0.0000	+0.0025	6.1835	6.1850	-0.0015	-0.0040	1.5000	1.5000	1.5000	1.5035	6.8452	6.8552	1.5000	1.0000	1.5000	1.5035	6.5952	6.6052
6-1/4	6.2490	6.2500	6.2500	6.2515	-0.0000	+0.0025	6.2460	6.2475	-0.0015	-0.0040	1.5000	1.5000	1.5000	1.5035	6.9087	6.9187	1.5000	1.0000	1.5000	1.5035	6.6587	6.6687
6-5/16	6.3115	6.3125	6.3125	6.3140	-0.0000	+0.0025	6.3085	6.3100	-0.0015	-0.0040	1.5000	1.5000	1.5000	1.5035	6.9721	6.9821	1.5000	1.0000	1.5000	1.5035	6.7221	6.7321
6-3/8	6.3740	6.3750	6.3750	6.3765	-0.0000	+0.0025	6.3710	6.3725	-0.0015	-0.0040	1.5000	1.5000	1.5000	1.5035	7.0355	7.0455	1.5000	1.0000	1.5000	1.5035	6.7855	6.7955
6-7/16	6.4365	6.4375	-	-	-	-	6.4335	6.4350	-0.0015	-0.0040	1.5000	1.5000	1.5000	1.5035	7.0989	7.1089	1.5000	1.0000	1.5000	1.5035	6.8489	6.8589
6-1/2	6.4990	6.5000	-	-	-	-	6.4960	6.4975	-0.0015	-0.0040	1.5000	1.5000	1.5000	1.5035	7.1623	7.1723	1.5000	1.0000	1.5000	1.5035	6.9123	6.9223
6-1/2 - 7 (incl.)	-0.0010	+0.0000	-	-	-	-	-0.0040	-0.0025	-0.0015	-0.0040	1.5000	1.5000	1.5000	1.5035	-	-	1.5000	1.0000	1.5000	1.5035	-	-
6-9/16	6.5615	6.5625	-	-	-	-	6.5585	6.5600	-0.0015	-0.0040	1.7500	1.7500	1.7500	1.7540	7.3187	7.3287	1.7500	1.5000	1.7500	1.7540	7.1937	7.2037
6-5/8	6.6240	6.6250	-	-	-	-	6.6210	6.6225	-0.0015	-0.0040	1.7500	1.7500	1.7500	1.7540	7.3823	7.3923	1.7500	1.5000	1.7500	1.7540	7.2573	7.2673
6-11/16	6.6865	6.6875	-	-	-	-	6.6835	6.6850	-0.0015	-0.0040	1.7500	1.7500	1.7500	1.7540	7.4460	7.4560	1.7500	1.5000	1.7500	1.7540	7.3210	7.3310
6-3/4	6.7490	6.7500	-	-	-	-	6.7460	6.7475	-0.0015	-0.0040	1.7500	1.7500	1.7500	1.7540	7.5096	7.5196	1.7500	1.5000	1.7500	1.7540	7.3846	7.3946
6-13/16	6.8115	6.8125	-	-	-	-	6.8085	6.8100	-0.0015	-0.0040	1.7500	1.7500	1.7500	1.7540	7.5732	7.5832	1.7500	1.5000	1.7500	1.7540	7.4482	7.4582
6-7/8	6.8740	6.8750	-	-	-	-	6.8710	6.8725	-0.0015	-0.0040	1.7500	1.7500	1.7500	1.7540	7.6368	7.6468	1.7500	1.5000	1.7500	1.7540	7.5118	7.5218
6-15/16	6.9365	6.9375	-	-	-	-	6.9335	6.9350	-0.0015	-0.0040	1.7500	1.7500	1.7500	1.7540	7.7003	7.7103	1.7500	1.5000	1.7500	1.7540	7.5753	7.5853
7	6.9990	7.0000	-	-	-	-	6.9960	6.9975	-0.0015	-0.0040	1.7500	1.7500	1.7500	1.7540	7.7639	7.7739	1.7500	1.5000	1.7500	1.7540	7.6389	7.6489
7 - 8 (incl.)	-0.0010	+0.0000	-	-	-	-	-0.0050	-0.0030	-0.0020	-0.0050	1.7500	1.7500	1.7500	1.7540	-	-	1.7500	1.5000	1.7500	1.7540	-	-
7-1/16	7.0615	7.0625	-	-	-	-	7.0575	7.0595	-0.0020	-0.0050	1.7500	1.7500	1.7500	1.7540	7.8274	7.8374	1.7500	1.5000	1.7500	1.7540	7.7024	7.7124
7-1/8	7.1240	7.1250	-	-	-	-	7.1200	7.1220	-0.0020	-0.0050	1.7500	1.7500	1.7500	1.7540	7.8909	7.9009	1.7500	1.5000	1.7500	1.7540	7.7659	7.7759
7-3/16	7.1865	7.1875	-	-	-	-	7.1825	7.1845	-0.0020	-0.0050	1.7500	1.7500	1.7500	1.7540	7.9544	7.9644	1.7500	1.5000	1.7500	1.7540	7.8294	7.8394
7-1/4	7.2490	7.2500	-	-	-	-	7.2450	7.2470	-0.0020	-0.0050	1.7500	1.7500	1.7500	1.7540	8.0178	8.0278	1.7500	1.5000	1.7500	1.7540	7.8928	7.9028
7-5/16	7.3115	7.3125	-	-	-	-	7.3075	7.3095	-0.0020	-0.0050	1.7500	1.7500	1.7500	1.7540	8.0813	8.0913	1.7500	1.5000	1.7500	1.7540	7.9563	7.9663
7-3/8	7.3740	7.3750	-	-	-	-	7.3700	7.3720	-0.0020	-0.0050	1.7500	1.7500	1.7500	1.7540	8.1447	8.1547	1.7500	1.5000	1.7500	1.7540	8.0197	8.0297
7-7/16	7.4365	7.4375	-	-	-	-	7.4325	7.4345	-0.0020	-0.0050	1.7500	1.7500	1.7500	1.7540	8.2081	8.2181	1.7500	1.5000	1.7500	1.7540	8.0831	8.0931
7-1/2	7.4990	7.5000	-	-	-	-	7.4950	7.4970	-0.0020	-0.0050	1.7500	1.7500	1.7500	1.7540	8.2715	8.2815	1.7500	1.5000	1.7500	1.7540	8.1465	8.1565
7-9/16	7.5615	7.5625	-	-	-	-	7.5575	7.5595	-0.0020	-0.0050	2.0000	2.0000	2.0000	2.0040	8.4279	8.4379	2.0000	1.5000	2.0000	2.0040	8.1779	8.1879
7-5/8	7.6240	7.6250	-	-	-	-	7.6200	7.6220	-0.0020	-0.00												



ISO R775 METRIC BORE AND KEYWAY FITS

Nominal Shaft Diameter (mm)	Shaft Diameter		Clearance Fit				Transitional Fit				Interference Fit				Keyway						
	Max.	/ Min.	Hub Bore		Fit		Hub Bore		Fit		Hub Bore		Fit		Nominal		Width D10		Scribe Height		
			j6		F7		H7		M6		Width	X	Height	Min.	Max.	Min.	Max.				
	+0.008	/ -0.003	+0.016	/ +0.034	+0.008	/ +0.037	0.000	/ +0.018	-0.008	/ +0.021	-0.015	/ -0.004	-0.023	/ -0.001							
12	12.008	/ 11.997	12.016	/ 12.034	0.008	/ 0.037	12.000	/ 12.018	-0.008	/ 0.021	11.985	/ 11.996	-0.023	/ -0.001	4	X	1.8	4.03	4.078	13.8	13.9
14	14.008	/ 13.997	14.016	/ 14.034	1.008	/ 1.037	14.000	/ 14.018	-0.008	/ 0.021	13.985	/ 13.996	-0.023	/ -0.001	5	X	2.3	5.03	5.078	16.3	16.4
16	16.008	/ 15.997	16.016	/ 16.034	2.008	/ 2.037	16.000	/ 16.018	-0.008	/ 0.021	15.985	/ 15.996	-0.023	/ -0.001	5	X	2.3	5.03	5.078	18.3	18.4
18	18.008	/ 17.997	18.016	/ 18.034	3.008	/ 3.037	18.000	/ 18.018	-0.008	/ 0.021	17.985	/ 17.996	-0.023	/ -0.001	6	X	2.8	6.03	6.078	20.8	20.9
>18	j6		F7		H7		H7		M6		M6		M6								
	+0.009	/ -0.004	+0.02	/ +0.041	+0.011	/ +0.045	0.000	/ +0.021	-0.009	/ +0.025	-0.017	/ -0.004	-0.026	/ 0.000							
19	19.009	/ 18.996	19.02	/ 19.041	0.011	/ 0.045	19.000	/ 19.021	-0.009	/ 0.025	18.983	/ 18.996	-0.026	/ 0.000	6	X	2.8	6.03	6.078	21.8	21.9
20	20.009	/ 19.996	20.02	/ 20.041	0.011	/ 0.045	20.000	/ 20.021	-0.009	/ 0.025	19.983	/ 19.996	-0.026	/ 0.000	6	X	2.8	6.03	6.078	22.8	22.9
22	22.009	/ 21.996	22.02	/ 22.041	0.011	/ 0.045	22.000	/ 22.021	-0.009	/ 0.025	21.983	/ 21.996	-0.026	/ 0.000	6	X	2.8	6.03	6.078	24.8	24.9
24	24.009	/ 23.996	24.02	/ 24.041	0.011	/ 0.045	24.000	/ 24.021	-0.009	/ 0.025	23.983	/ 23.996	-0.026	/ 0.000	8	X	3.3	8.04	8.098	27.3	27.5
25	25.009	/ 24.996	25.02	/ 25.041	0.011	/ 0.045	25.000	/ 25.021	-0.009	/ 0.025	24.983	/ 24.996	-0.026	/ 0.000	8	X	3.3	8.04	8.098	28.3	28.5
28	28.009	/ 27.996	28.02	/ 28.041	0.011	/ 0.045	28.000	/ 28.021	-0.009	/ 0.025	27.983	/ 27.996	-0.026	/ 0.000	8	X	3.3	8.04	8.098	31.3	31.5
30	30.009	/ 29.996	30.02	/ 30.041	0.011	/ 0.045	30.000	/ 30.021	-0.009	/ 0.025	29.983	/ 29.996	-0.026	/ 0.000	8	X	3.3	8.04	8.098	33.3	33.5
>30	k6		F7		H7		H7		K6		K6		K6								
	+0.018	/ +0.002	+0.025	/ +0.050	+0.007	/ +0.048	0.000	/ +0.025	-0.018	/ +0.023	-0.013	/ +0.003	-0.031	/ +0.001							
32	32.018	/ 32.002	32.025	/ 32.050	0.007	/ 0.048	32.000	/ 32.025	-0.018	/ 0.023	31.987	/ 32.003	-0.031	/ 0.001	10	X	3.3	10.04	10.098	35.3	35.5
35	35.018	/ 35.002	35.025	/ 35.050	0.007	/ 0.048	35.000	/ 35.025	-0.018	/ 0.023	34.987	/ 35.003	-0.031	/ 0.001	10	X	3.3	10.04	10.098	38.3	38.5
38	38.018	/ 38.002	38.025	/ 38.050	0.007	/ 0.048	38.000	/ 38.025	-0.018	/ 0.023	37.987	/ 38.003	-0.031	/ 0.001	10	X	3.3	10.04	10.098	41.3	41.5
40	40.018	/ 40.002	40.025	/ 40.050	0.007	/ 0.048	40.000	/ 40.025	-0.018	/ 0.023	39.987	/ 40.003	-0.031	/ 0.001	12	X	3.3	12.05	12.12	43.3	43.5
42	42.018	/ 42.002	42.025	/ 42.050	0.007	/ 0.048	42.000	/ 42.025	-0.018	/ 0.023	41.987	/ 42.003	-0.031	/ 0.001	12	X	3.3	12.05	12.12	45.3	45.5
45	45.018	/ 45.002	45.025	/ 45.050	0.007	/ 0.048	45.000	/ 45.025	-0.018	/ 0.023	44.987	/ 45.003	-0.031	/ 0.001	14	X	3.8	14.05	14.12	48.8	49
48	48.018	/ 48.002	48.025	/ 48.050	0.007	/ 0.048	48.000	/ 48.025	-0.018	/ 0.023	47.987	/ 48.003	-0.031	/ 0.001	14	X	3.8	14.05	14.12	51.8	52
50	50.018	/ 50.002	50.025	/ 50.050	0.007	/ 0.048	50.000	/ 50.025	-0.018	/ 0.023	49.987	/ 50.003	-0.031	/ 0.001	14	X	3.8	14.05	14.12	53.8	54
>50	m6		F7		H7		H7		K7		K7		K7								
	+0.030	/ +0.011	+0.030	/ +0.060	0	/ +0.049	0.000	/ +0.030	-0.030	/ +0.019	-0.021	/ +0.009	-0.051	/ -0.002							
55	55.030	/ 55.011	55.030	/ 55.060	0.000	/ 0.049	55.000	/ 55.030	-0.030	/ 0.019	54.979	/ 55.009	-0.051	/ -0.002	16	X	4.3	16.05	16.12	59.3	59.5
56	56.030	/ 56.011	56.030	/ 56.060	0.000	/ 0.049	56.000	/ 56.030	-0.030	/ 0.019	55.979	/ 56.009	-0.051	/ -0.002	16	X	4.3	16.05	16.12	60.3	60.5
60	60.030	/ 60.011	60.030	/ 60.060	0.000	/ 0.049	60.000	/ 60.030	-0.030	/ 0.019	59.979	/ 60.009	-0.051	/ -0.002	18	X	4.4	18.05	18.12	64.4	64.6
63	63.030	/ 63.011	63.030	/ 63.060	0.000	/ 0.049	63.000	/ 63.030	-0.030	/ 0.019	62.979	/ 63.009	-0.051	/ -0.002	18	X	4.4	18.05	18.12	67.4	67.6
65	65.030	/ 65.011	65.030	/ 65.060	0.000	/ 0.049	65.000	/ 65.030	-0.030	/ 0.019	64.979	/ 65.009	-0.051	/ -0.002	18	X	4.4	18.05	18.12	69.4	69.6
70	70.030	/ 70.011	70.030	/ 70.060	0.000	/ 0.049	70.000	/ 70.030	-0.030	/ 0.019	69.979	/ 70.009	-0.051	/ -0.002	20	X	4.9	20.065	20.149	74.9	75.1
71	71.030	/ 71.011	71.030	/ 71.060	0.000	/ 0.049	71.000	/ 71.030	-0.030	/ 0.019	70.979	/ 71.009	-0.051	/ -0.002	20	X	4.9	20.065	20.149	75.9	76.1
75	75.030	/ 75.011	75.030	/ 75.060	0.000	/ 0.049	75.000	/ 75.030	-0.030	/ 0.019	74.979	/ 75.009	-0.051	/ -0.002	20	X	4.9	20.065	20.149	79.9	80.1
80	80.030	/ 80.011	80.030	/ 80.060	0.000	/ 0.049	80.000	/ 80.030	-0.030	/ 0.019	79.979	/ 80.009	-0.051	/ -0.002	22	X	5.4	22.065	22.149	85.4	85.6
>80	m6		F7		H7		H7		M7		M7		M7								
	+0.035	/ +0.013	+0.036	/ +0.071	+0.001	/ +0.058	0.000	/ +0.035	-0.035	/ +0.022	-0.035	/ 0.000	-0.070	/ -0.013							
85	85.035	/ 85.013	85.036	/ 85.071	0.001	/ 0.058	85.000	/ 85.035	-0.035	/ 0.022	84.965	/ 85.000	-0.070	/ -0.013	22	X	5.4	22.065	22.149	90.4	90.6
90	90.035	/ 90.013	90.036	/ 90.071	0.001	/ 0.058	90.000	/ 90.035	-0.035	/ 0.022	89.965	/ 90.000	-0.070	/ -0.013	25	X	5.4	25.065	25.149	95.4	95.6
95	95.035	/ 95.013	95.036	/ 95.071	0.001	/ 0.058	95.000	/ 95.035	-0.035	/ 0.022	94.965	/ 95.000	-0.070	/ -0.013	25	X	5.4	25.065	25.149	100.4	100.6
100	100.035	/ 100.013	100.036	/ 100.071	0.001	/ 0.058	100.000	/ 100.035	-0.035	/ 0.022	99.965	/ 100.000	-0.070	/ -0.013	28	X	6.4	28.065	28.149	106.4	106.6
>100	m6		F7		H7		H7		P7		P7		P7								
	+0.035	/ +0.013	+0.036	/ +0.071	+0.001	/ +0.058	0.000	/ +0.035	-0.035	/ +0.022	-0.059	/ -0.024	-0.094	/ -0.037							
110	110.035	/ 110.013	110.036	/ 110.071	0.001	/ 0.058	110.000	/ 110.035	-0.035	/ 0.022	109.941	/ 109.976	-0.094	/ -0.037	28	X	6.4	28.065	28.149	116.4	116.6
120	120.035	/ 120.013	120.036	/ 120.071	0.001	/ 0.058	120.000	/ 120.035	-0.035	/ 0.022	119.941	/ 119.976	-0.094	/ -0.037	32	X	7.4	32.08	32.18	127.4	127.6
>120	m6		F7		H7		H7		P7		P7		P7								
	+0.040	/ +0.015	+0.043	/ +0.083	+0.003	/ +0.068	0.000	/ +0.040	-0.040	/ +0.025	-0.068	/ -0.028	-0.108	/ -0.043							
125	125.040	/ 125.015	125.043	/ 125.083	0.003	/ 0.068	125.000	/ 125.040	-0.040	/ 0.025	124.932	/ 124.972	-0.108	/ -0.043	32	X	7.4	32.08	32.18	132.4	132.6
130	130.040	/ 130.015	130.043	/ 130.083	0.003	/ 0.068	130.000	/ 130.040	-0.040	/ 0.025	129.932	/ 129.972	-0.108	/ -0.043	32	X	7.4	32.08	32.18	137.4	137.6
140	140.040	/ 140.015	140.043	/ 140.083	0.003	/ 0.068	140.000	/ 140.040	-0.040	/ 0.025	139.932	/ 139.972	-0.108	/ -0.043	36	X	8.4	36.08	36.18	148.4	148.7
150	150.040	/ 150.015	150.043	/ 150.083	0.003	/ 0.068	150.000	/ 150.040	-0.040	/ 0.025	149.932	/ 149.972	-0.108	/ -0.043	36	X	8.4	36.08	36.18	158.4	158.7
160	160.040	/ 160.015	160.043	/ 160.083	0.003	/ 0.068	160.000	/ 160.040	-0.040	/ 0.025	159.932	/ 159.972	-0.108	/ -0.043	40	X	9.4	40.08	40.18	169.4	169.7
170	170.040	/ 170.015	17																		

# PART NUMBER INDEX



BUSHINGS & HUBS

SHEAVES

SYNCHRONOUS DRIVES

COUPLINGS

PART NUMBER INDEX

Part Number	Page	Part Number	Page	Part Number	Page	Part Number	Page
004177	145	004534	143	004615	143	004692	143
004178	145	004536	143	004616	143	004693	143
004179	145	004538	143	004618	143	004694	143
004180	145	004539	143	004619	143	004695	143
004181	145	004540	143	004620	143	004696	143
004182	145	004542	143	004621	143	004698	143
004193	145	004543	143	004622	143	004699	143
004208	139	004544	143	004623	143	004700	143
004209	139	004545	143	004624	143	004702	143
004210	139	004546	143	004625	143	004703	143
004211	139	004547	143	004627	143	004704	143
004212	139, 145	004548	143	004628	143	004706	143
004213	139, 145	004550	143	004629	143	004707	143
004214	139, 145	004551	143	004631	143	004708	143
004215	139, 145	004552	143	004632	143	004710	143
004216	139, 145	004554	143	004633	143	004711	143
004217	139, 145	004559	143	004635	143	004712	143
004218	139, 145	004561	143	004636	143	004714	143
004219	139, 145	004562	143	004637	143	004715	143
004220	139, 145	004563	143	004639	143	004716	143
004222	139, 145	004565	143	004640	143	004718	143
004242	139	004566	143	004641	143	004719	143
004243	139	004567	143	004643	143	004720	143
004244	139	004568	143	004644	143	004722	143
004245	139	004569	143	004645	143	004724	143
004246	139, 145	004570	143	004647	143	004725	143
004247	139, 145	004571	143	004648	143	004726	143
004248	139, 145	004573	143	004649	143	004727	143
004249	139, 145	004574	143	004651	143	004728	143
004250	139, 145	004575	143	004653	143	004730	143
004251	139, 145	004577	143	004654	143	004731	143
004252	139, 145	004578	143	004655	143	004732	143
004253	139, 145	004579	143	004656	143	004734	143
004254	139, 145	004581	143	004657	143	004735	143
004256	139, 145	004582	143	004658	143	004757	145
004498	143	004583	143	004659	143	004856	145
004500	143	004585	143	004660	143	004857	145
004502	143	004586	143	004662	143	004858	145
004504	143	004587	143	004663	143	004859	145
004505	143	004588	143	004664	143	004860	145
004506	143	004590	143	004666	143	004861	145
004508	143	004591	143	004667	143	004862	145
004509	143	004592	143	004668	143	004863	145
004510	143	004593	143	004670	143	004864	145
004511	143	004594	143	004671	143	004865	145
004513	143	004595	143	004672	143	004866	145
004515	143	004596	143	004674	143	004867	145
004516	143	004598	143	004675	143	004868	145
004517	143	004599	143	004676	143	004869	145
004519	143	004600	143	004678	143	004870	145
004520	143	004602	143	004679	143	004871	145
004521	143	004603	143	004680	143	004872	145
004522	143	004604	143	004682	143	004873	145
004523	143	004606	143	004683	143	004874	145
004524	143	004607	143	004684	143	004875	145
004525	143	004608	143	004686	143	004876	145
004527	143	004610	143	004688	143	004878	145
004528	143	004611	143	004689	143	004879	145
004529	143	004612	143	004690	143	004880	145
004531	143	004614	143	004691	143	004881	145

# PART NUMBER INDEX



Part Number	Page	Part Number	Page	Part Number	Page	Part Number	Page
004882	145	004947	145	021992	139, 145	022234	139, 145
004883	145	004948	145	021993	139, 145	022235	139, 145
004884	145	004949	145	021994	139, 145	022236	139, 145
004885	145	004950	145	021997	148	022237	139, 145
004886	145	004951	145	021998	148	022238	139, 145
004887	145	004952	145	022000	148	022239	139, 145
004888	145	004953	145	022001	148	022329	148
004889	145	004954	145	022002	148	022331	148
004890	145	004955	145	022003	148	022332	148
004891	145	004956	145	022004	148	022333	148
004892	145	004957	145	022005	148	022335	148
004893	145	004958	145	022006	148	022336	148
004894	145	004959	145	022007	148	022339	148
004895	145	004960	145	022008	148	022340	148
004896	145	004961	145	022009	148	022341	148
004897	145	004962	145	022010	148	022342	148
004898	145	004963	145	022011	148	022344	148
004899	145	004964	145	022012	148	022345	148
004900	145	004965	145	022013	148	022346	148
004901	145	004966	145	022014	148	022349	148
004902	145	004967	145	022015	148	022351	148
004903	145	004968	145	022016	148	022352	148
004904	145	004969	145	022017	148	022353	148
004905	145	004970	145	022018	148	022354	148
004906	145	004971	145	022183	139, 145	022355	148
004907	145	004972	145	022184	139, 145	022358	148
004908	145	004973	145	022185	139, 145	022362	148
004909	145	004974	145	022186	139, 145	022363	148
004910	145	004975	145	022187	139, 145	022364	148
004916	145	004976	143, 145	022188	139, 145	022367	148
004917	145	004977	143, 145	022189	139, 145	022368	148
004918	145	004978	143, 145	022190	139	022370	148
004919	145	004979	143, 145	022191	139, 145	022371	148
004920	145	004980	143, 145	022192	139, 145	022372	148
004921	145	004981	143, 145	022193	139, 145	022375	148
004922	145	004982	143, 145	022194	139, 145	022376	148
004923	145	004983	143, 145	022195	139, 145	022377	148
004924	145	004993	143, 145	022196	139, 145	022379	148
004925	145	004994	143, 145	022197	139, 145	022381	148
004926	145	004995	143, 145	022198	139, 145	022387	148
004927	145	004996	143	022211	139	022388	148
004928	145	004997	143	022212	139, 145	022389	148
004929	145	004998	143	022213	139, 145	022391	148
004930	145	005006	145	022214	139, 145	022392	148
004931	145	005007	145	022215	139, 145	022393	148
004932	145	005008	145	022216	139, 145	022394	148
004933	145	005009	145	022217	139, 145	022395	148
004934	145	013210	154	022218	139, 145	022397	148
004935	145	013211	154	022219	139, 145	022399	148
004936	145	013212	154	022220	148, 149	022400	148
004937	145	013213	154	022221	148, 149	022402	148
004938	145	013214	154	022222	148, 149	022404	148
004939	145	013215	154	022223	148, 149	022405	148
004940	145	013216	154	022224	148, 149	022406	148
004941	145	013217	154	022225	148, 149	022409	148
004942	145	013218	154	022226	148, 149	022410	148
004943	145	013219	154	022227	148, 149	022411	148
004944	145	013220	154	022228	148, 149	022412	148
004945	145	021990	139, 145	022232	139, 145	022413	148
004946	145	021991	139, 145	022233	139, 145	022414	148

BUSHINGS & HUBS

SHEAVES

SYNCHRONOUS DRIVES

COUPLINGS

PART NUMBER INDEX

# PART NUMBER INDEX



BUSHINGS & HUBS

SHEAVES

SYNCHRONOUS DRIVES

COUPLINGS

PART NUMBER INDEX

Part Number	Page	Part Number	Page	Part Number	Page	Part Number	Page
022415	148	022508	141	022830	148	022890	149
022416	148	022509	141	022831	148	022891	149
022417	148	022510	141	022832	148	022892	149
022418	148	022700	140	022833	148	022893	149
022420	148	022701	140	022834	148	022894	149
022422	148	022702	140	022835	148	022895	149
022424	148	022703	140	022836	148	022896	149
022425	148	022704	140	022837	148	022897	149
022429	148	022708	140	022838	148	022898	149
022430	148	022709	140	022839	148	022899	149
022432	148	022710	140	022840	148	022900	149
022433	148	022711	140	022841	148	022901	149
022434	148	022712	140	022842	148	022902	149
022435	148	022713	140	022843	148	022903	149
0022452	148	022714	140	022844	148	022904	149
022453	148	022715	140	022845	148	022905	149
022454	148	022716	140	022846	148	022906	149
022455	148	022717	140	022847	148	022907	149
022456	148	022718	140	022848	149	022908	149
022457	148	022719	140	022849	149	022909	149
022458	148	022720	140	022850	149	022910	149
022459	148	022721	140	022851	149	022911	149
022460	148	022722	140	022852	149	022912	149
022461	148	022723	140	022853	149	022913	149
022462	148	022724	140	022854	149	022914	149
022464	148	022725	140	022855	149	022915	149
022466	148	022726	140	022856	149	022916	149
022467	148	022727	140	022857	149	022917	149
022468	148	022728	140	022858	149	022918	149
022471	148	022729	140	022859	149	022919	149
022472	148	022775	148	022860	149	022920	149
022473	148	022776	148	022861	149	022921	149
022474	148	022777	148	022862	149	022922	149
022475	148	022778	148	022863	149	022923	149
022476	148	022779	148	022864	149	022924	149
022478	148	022780	148	022865	149	022925	149
022479	148	022781	148	022866	149	022926	149
022480	148	022782	148	022867	149	022927	149
022483	148	022783	148	022868	149	022928	149
022484	148	022784	148	022869	149	022929	149
022485	148	022785	148	022870	149	022930	149
022487	148	022786	148	022871	149	022931	149
022488	148	022787	148	022872	149	022932	149
022489	148	022788	148	022873	149	022933	149
022490	148	022810	148	022874	149	022934	149
022491	148	022811	148	022875	149	022935	149
022492	148	022812	148	022876	149	022936	149
022493	148	022813	148	022877	149	022937	149
022494	148	022814	148	022878	149	022938	149
022496	148	022815	148	022879	149	022939	149
022497	148	022816	148	022880	149	022940	149
022498	148	022817	148	022881	149	022942	149
022500	148	022818	148	022882	149	022943	149
022501	141	022823	148	022883	149	022944	149
022502	141	022824	148	022884	149	022945	149
022503	141	022825	148	022885	149	022946	149
022504	141	022826	148	022886	149	022947	149
022505	141	022827	148	022887	149	022948	149
022506	141	022828	148	022888	149	022949	149
022507	141	022829	148	022889	149	022950	149

# PART NUMBER INDEX



Part Number	Page	Part Number	Page	Part Number	Page	Part Number	Page
022951	149	107056	88	107117	88	107183	83
022952	149	107057	88	107118	88	107184	83
022953	149	107058	88	107119	88	107185	83
022954	149	107059	88	107120	88	107186	83
107000	88	107060	88	107122	87	107187	83
107001	87	107061	88	107123	88	107188	83
107002	87	107062	88	107124	88	107189	83
107003	87	107063	88	107125	88	107190	83
107004	87	107064	88	107126	88	107191	83
107005	87	107065	88	107127	88	107192	83
107006	87	107066	88	107128	88	107193	83
107007	87	107067	88	107129	87	107194	83
107008	87	107068	88	107131	88	107195	83
107009	87	107069	88	107132	88	107196	83
107010	87	107070	88	107133	88	107197	83
107011	87	107072	88	107135	88	107200	83
107012	87	107073	88	107137	88	107201	83
107013	87	107074	88	107138	88	107202	83
107014	87	107075	88	107139	88	107203	83
107015	87	107076	88	107140	88	107204	83
107016	87	107077	88	107141	88	107205	83
107017	87	107078	88	107142	88	107206	83
107018	87	107079	88	107143	88	107207	83
107019	87	107080	88	107144	88	107208	83
107020	87	107081	88	107146	88	107209	83
107021	87	107082	88	107148	88	107210	83
107022	87	107083	88	107149	88	107211	83
107023	87	107084	88	107150	83	107212	83
107024	87	107085	88	107151	83	107213	83
107025	87	107086	88	107152	83	107214	83
107026	87	107087	88	107153	83	107215	83
107027	87	107088	88	107154	83	107216	83
107028	87	107089	88	107155	83	107217	83
107029	87	107090	88	107156	83	107218	83
107030	88	107091	88	107157	83	107219	83
107031	88	107092	88	107158	83	107220	83
107032	88	107093	88	107159	83	107221	83
107033	88	107094	88	107160	83	107222	83
107034	88	107095	88	107161	83	107223	83
107035	88	107096	88	107162	83	107224	83
107036	88	107097	88	107163	83	107225	83
107037	88	107098	88	107164	83	107226	83
107038	88	107099	88	107165	83	107227	83
107039	88	107100	88	107166	83	107228	83
107040	88	107101	88	107167	83	107229	83
107041	88	107102	88	107168	83	107230	83
107042	88	107103	88	107169	83	107231	83
107043	88	107104	88	107170	83	107232	83
107044	88	107105	88	107171	83	107233	83
107045	88	107106	88	107172	83	107234	83
107046	88	107107	88	107173	83	107235	83
107047	88	107108	88	107174	88	107236	83
107048	88	107109	88	107175	83	107237	83
107049	88	107110	88	107176	83	107238	83
107050	88	107111	88	107177	83	107239	83
107051	88	107112	88	107178	83	107240	83
107052	88	107113	88	107179	83	107241	83
107053	88	107114	88	107180	83	107242	83
107054	88	107115	88	107181	83	107243	83
107055	88	107116	88	107182	83	107244	83

BUSHINGS & HUBS

SHEAVES

SYNCHRONOUS DRIVES

COUPLINGS

PART NUMBER INDEX

# PART NUMBER INDEX



BUSHINGS & HUBS

SHEAVES

SYNCHRONOUS DRIVES

COUPLINGS

PART NUMBER INDEX

Part Number	Page	Part Number	Page	Part Number	Page	Part Number	Page
107245	83	107313	89	107383	89	107444	89
107246	83	107314	89	107384	89	107445	89
107247	83	107316	89	107385	89	107446	89
107248	83	107317	89	107386	89	107447	89
107249	87	107318	89	107387	87	107448	89
107250	87	107319	89	107388	87	107449	89
107251	87	107320	87	107389	88	107450	89
107252	87	107321	87	107390	88	107451	89
107253	87	107322	87	107391	88	107452	89
107254	87	107323	87	107392	89	107453	89
107255	87	107324	87	107393	89	107454	89
107256	87	107325	89	107394	89	107455	89
107257	88	107326	89	107395	89	107456	89
107258	88	107327	89	107396	89	107457	89
107259	88	107328	89	107397	89	107458	89
107260	88	107329	87	107398	89	107459	89
107261	88	107330	87	107399	89	107460	89
107262	88	107331	87	107400	89	107461	89
107263	88	107332	87	107401	89	107462	89
107264	88	107333	87	107402	89	107463	89
107265	88	107334	89	107403	89	107464	89
107266	88	107335	89	107404	89	107465	89
107267	88	107336	89	107405	89	107466	89
107268	88	107337	89	107406	89	107467	89
107269	88	107338	89	107407	89	107468	89
107270	87	107339	89	107408	88	107469	90
107271	87	107340	89	107409	88	107470	90
107272	87	107341	89	107410	88	107471	90
107273	87	107343	87	107411	88	107472	90
107274	87	107344	87	107412	88	107473	90
107275	88	107345	87	107413	89	107474	90
107276	87	107346	87	107414	89	107475	90
107277	87	107349	88	107415	89	107476	90
107278	87	107350	88	107416	89	107477	90
107279	88	107351	88	107417	87	107478	90
107280	88	107352	88	107418	87	107479	90
107281	88	107353	88	107419	87	107480	90
107282	88	107354	88	107420	87	107481	89
107283	88	107356	88	107421	89	107482	89
107284	88	107357	89	107422	89	107483	89
107285	88	107358	89	107423	89	107484	89
107286	88	107359	89	107424	89	107485	89
107287	88	107360	89	107425	89	107486	90
107288	88	107361	88	107426	89	107487	90
107289	88	107363	88	107427	89	107488	90
107290	88	107364	88	107428	89	107489	90
107291	88	107365	88	107429	89	107490	90
107292	88	107366	89	107430	87	107491	90
107293	88	107367	89	107431	87	107492	90
107294	88	107368	89	107433	88	107493	90
107295	88	107369	89	107434	88	107494	89
107296	88	107373	88	107435	89	107495	89
107297	88	107375	89	107436	89	107496	89
107298	88	107376	89	107437	89	107497	89
107299	88	107377	89	107438	89	107498	89
107308	89	107378	89	107439	89	107499	90
107309	89	107379	89	107440	89	107500	90
107310	89	107380	89	107441	89	107501	90
107311	89	107381	89	107442	89	107502	90
107312	89	107382	89	107443	89	107503	89

# PART NUMBER INDEX



Part Number	Page	Part Number	Page	Part Number	Page	Part Number	Page
107504	89	107564	89	107628	91	107691	91
107505	89	107565	89	107629	91	107692	91
107506	89	107566	89	107630	91	107695	92
107507	89	107567	89	107631	91	107696	92
107508	90	107568	89	107632	91	107697	92
107509	90	107569	89	107633	91	107698	92
107510	90	107574	91	107634	91	107699	88
107511	90	107575	91	107635	91	107700	92
107512	90	107576	91	107636	91	107701	92
107513	90	107577	91	107637	91	107702	92
107514	90	107578	91	107638	91	107703	92
107515	90	107579	91	107639	91	107708	92
107516	90	107580	91	107640	91	107709	92
107517	90	107581	91	107641	91	107710	92
107518	90	107582	91	107642	91	107711	92
107519	90	107583	91	107643	91	107712	92
107520	89	107584	91	107644	91	107713	92
107521	89	107585	91	107645	91	107714	92
107522	89	107586	91	107646	91	107715	92
107523	89	107587	91	107647	91	107716	92
107524	89	107588	91	107648	91	107717	92
107525	90	107589	91	107649	91	107718	92
107526	90	107590	91	107651	89	107719	92
107527	90	107591	91	107652	89	107720	92
107528	90	107592	91	107653	89	107721	92
107529	90	107593	91	107654	89	107722	92
107530	90	107594	91	107655	91	107723	92
107531	90	107595	91	107656	91	107724	92
107532	90	107596	91	107657	91	107725	92
107533	90	107597	91	107658	91	107726	92
107534	90	107598	91	107659	89	107727	92
107535	90	107599	91	107660	89	107728	92
107536	90	107600	91	107661	89	107729	92
107537	90	107601	91	107662	89	107730	92
107538	90	107602	91	107663	89	107731	92
107539	90	107603	91	107664	91	107732	92
107540	90	107604	91	107665	91	107733	92
107541	89	107605	91	107666	91	107734	92
107542	89	107606	91	107667	91	107735	92
107543	89	107607	91	107668	89	107736	92
107544	89	107608	91	107669	89	107737	92
107545	89	107609	91	107670	89	107738	92
107546	90	107610	91	107671	89	107739	92
107547	90	107611	91	107672	89	107741	92
107548	90	107612	91	107673	91	107742	92
107549	90	107613	91	107674	91	107743	92
107550	89	107614	91	107675	91	107744	92
107551	89	107615	91	107676	91	107745	92
107552	89	107616	91	107677	89	107746	92
107553	89	107617	91	107678	89	107747	92
107554	89	107618	91	107679	91	107748	92
107555	90	107619	91	107680	91	107750	92
107556	90	107620	91	107681	91	107751	92
107557	90	107621	91	107682	91	107752	92
107558	90	107622	91	107684	91	107753	92
107559	90	107623	91	107685	91	107754	92
107560	90	107624	91	107686	91	107755	92
107561	90	107625	91	107687	91	107756	92
107562	90	107626	91	107689	91	107757	92
107563	89	107627	91	107690	91	107759	92

BUSHINGS & HUBS

SHEAVES

SYNCHRONOUS DRIVES

COUPLINGS

PART NUMBER INDEX

# PART NUMBER INDEX



BUSHINGS & HUBS

SHEAVES

SYNCHRONOUS DRIVES

COUPLINGS

PART NUMBER INDEX

Part Number	Page	Part Number	Page	Part Number	Page	Part Number	Page
107760	92	107951	89	108015	96	108088	96
107761	92	107952	89	108016	96	108089	96
107762	92	107953	89	108018	96	108090	96
107764	92	107954	90	108019	96	108091	96
107765	92	107955	90	108020	96	108092	96
107766	92	107956	90	108021	96	108093	96
107767	92	107957	88	108022	96	108094	96
107769	92	107960	92	108023	96	108095	96
107770	92	107961	92	108024	96	108096	96
107771	92	107962	92	108025	96	108097	96
107772	92	107963	92	108026	96	108098	96
107773	92	107964	92	108027	96	108099	96
107774	92	107965	92	108028	96	108100	96
107775	92	107966	92	108029	96	108101	96
107776	92	107967	92	108030	96	108102	96
107777	92	107968	92	108031	96	108103	96
107778	92	107969	92	108032	96	108104	96
107779	92	107970	92	108033	96	108105	96
107780	92	107971	92	108034	96	108106	96
107781	92	107972	92	108035	96	108107	96
107782	92	107973	92	108036	96	108108	96
107783	92	107974	92	108037	96	108109	96
107784	92	107975	92	108038	96	108110	96
107894	89	107976	92	108039	96	108111	96
107895	89	107977	92	108040	96	108112	96
107896	89	107978	92	108041	96	108113	96
107897	89	107979	90	108042	96	108114	96
107898	89	107980	90	108043	96	108115	96
107899	89	107981	90	108044	96	108116	96
107908	87	107982	90	108045	96	108117	96
107910	87	107983	90	108046	96	108118	96
107912	87	107984	90	108047	96	108119	96
107913	87	107985	90	108048	96	108120	96
107914	87	107986	90	108049	96	108121	96
107915	87	107987	90	108050	96	108122	96
107916	87	107988	90	108051	96	108123	96
107917	87	107989	90	108052	96	108124	96
107918	87	107990	90	108053	96	108125	96
107919	87	107991	90	108054	96	108126	96
107920	87	107992	90	108055	96	108127	96
107921	87	107993	90	108056	96	108128	96
107922	87	107994	90	108057	96	108129	96
107923	87	107995	90	108058	96	108130	96
107924	87	107996	90	108059	96	108131	96
107925	87	107997	90	108060	96	108132	96
107926	87	107998	90	108061	96	108133	96
107932	88	108001	96	108062	96	108134	96
107933	88	108002	96	108063	96	108135	96
107936	88	108003	96	108064	96	108136	96
107937	88	108004	96	108065	96	108137	96
107938	88	108005	96	108066	96	108150	96
107939	88	108006	96	108070	96	108151	96
107940	88	108007	96	108080	96	108152	96
107941	88	108008	96	108081	96	108153	96
107942	89	108009	96	108082	96	108154	96
107943	89	108010	96	108083	96	108155	96
107944	89	108011	96	108084	96	108156	96
107948	89	108012	96	108085	96	108157	96
107949	89	108013	96	108086	96	108158	96
107950	89	108014	96	108087	96	108159	96



# PART NUMBER INDEX



Part Number	Page	Part Number	Page	Part Number	Page	Part Number	Page
108160	96	108232	84	108292	84	108362	85
108161	96	108233	84	108293	84	108363	85
108162	96	108234	84	108294	84	108364	85
108163	96	108235	84	108295	84	108365	85
108164	96	108236	84	108296	84	108366	85
108165	96	108237	84	108297	84	108367	85
108166	96	108238	84	108298	84	108368	85
108167	96	108239	84	108299	84	108369	85
108168	96	108240	84	108300	84	108370	85
108169	96	108241	84	108301	84	108371	85
108170	96	108242	84	108302	84	108372	85
108171	96	108243	84	108303	84	108373	85
108172	96	108244	84	108304	84	108374	85
108173	96	108245	84	108305	84	108375	85
108174	96	108246	84	108306	84	108376	85
108175	96	108247	84	108307	84	108377	85
108176	96	108248	84	108308	84	108378	85
108177	96	108249	84	108309	84	108379	85
108178	96	108250	84	108310	84	108380	85
108179	96	108251	84	108311	84	108381	85
108180	96	108252	84	108312	84	108382	85
108181	96	108253	84	108313	84	108383	85
108182	96	108254	84	108314	84	108384	85
108183	96	108255	84	108315	84	108385	85
108184	96	108256	84	108316	84	108386	85
108185	96	108257	84	108317	84	108387	85
108186	96	108258	84	108318	84	108388	85
108187	96	108259	84	108319	84	108389	85
108188	96	108260	84	108320	84	108390	85
108189	96	108261	84	108321	84	108391	85
108190	96	108262	84	108322	84	108392	85
108191	96	108263	84	108323	84	108393	85
108192	96	108264	84	108326	86	108394	85
108193	96	108265	84	108328	96	108395	85
108194	96	108266	84	108329	85	108396	85
108195	96	108267	84	108330	85	108397	85
108196	96	108268	84	108338	85	108398	85
108208	84	108269	84	108339	85	108399	85
108209	84	108270	84	108340	85	108400	85
108210	84	108271	84	108341	85	108401	85
108211	84	108272	84	108342	85	108402	85
108212	84	108273	84	108343	85	108403	85
108213	84	108274	84	108344	85	108404	85
108214	84	108275	84	108345	85	108405	85
108215	84	108276	84	108346	85	108406	85
108216	84	108277	84	108347	85	108407	85
108217	84	108278	84	108348	85	108408	85
108218	84	108279	84	108349	85	108409	85
108219	84	108280	84	108350	85	108410	85
108220	84	108281	84	108351	85	108411	85
108221	84	108282	84	108352	85	108412	85
108222	84	108283	84	108353	85	108413	85
108224	84	108284	84	108354	85	108414	85
108225	84	108285	84	108355	85	108415	85
108226	84	108286	84	108356	85	108416	85
108227	84	108287	84	108357	85	108417	85
108228	84	108288	84	108358	85	108418	85
108229	84	108289	84	108359	85	108419	85
108230	84	108290	84	108360	85	108420	85
108231	84	108291	84	108361	85	108421	85

BUSHINGS & HUBS

SHEAVES

SYNCHRONOUS DRIVES

COUPLINGS

PART NUMBER INDEX

# PART NUMBER INDEX



BUSHINGS & HUBS

SHEAVES

SYNCHRONOUS DRIVES

COUPLINGS

PART NUMBER INDEX

Part Number	Page	Part Number	Page	Part Number	Page	Part Number	Page
108422	85	108488	86	108553	86	108648	93
108423	85	108489	86	108554	86	108649	93
108424	85	108490	86	108555	86	108650	93
108425	85	108491	86	108556	86	108651	93
108426	85	108492	86	108557	86	108652	93
108427	85	108493	86	108558	86	108653	93
108428	85	108494	86	108559	86	108654	93
108429	85	108495	86	108560	86	108655	93
108430	85	108496	86	108561	86	108656	93
108431	85	108498	86	108562	86	108657	93
108432	85	108499	86	108563	86	108658	93
108433	85	108500	86	108564	86	108659	93
108434	85	108501	86	108565	86	108660	93
108435	85	108502	86	108566	86	108661	93
108436	85	108503	86	108567	86	108662	93
108437	85	108504	86	108568	86	108663	93
108438	85	108505	86	108569	86	108664	93
108439	85	108507	86	108570	86	108665	93
108440	85	108508	86	108571	86	108666	93
108441	85	108509	86	108572	86	108667	93
108442	85	108510	86	108573	86	108668	93
108443	85	108511	86	108574	86	108669	93
108444	85	108512	86	108576	86	108670	93
108445	85	108513	86	108577	86	108671	93
108446	85	108514	86	108578	86	108672	93
108447	85	108515	86	108579	86	108673	93
108448	85	108516	86	108580	86	108674	93
108449	85	108517	86	108581	86	108675	93
108450	85	108518	86	108582	86	108676	93
108451	85	108519	86	108583	86	108677	93
108452	85	108520	86	108585	86	108678	93
108453	85	108521	86	108586	86	108679	93
108454	85	108522	86	108587	86	108680	93
108455	85	108524	86	108588	86	108681	93
108456	85	108525	86	108589	86	108682	93
108457	85	108526	86	108590	86	108683	93
108458	85	108527	86	108591	86	108684	93
108459	85	108528	86	108592	86	108685	93
108460	85	108529	86	108594	86	108686	93
108461	85	108530	86	108595	86	108687	93
108462	85	108531	86	108596	86	108688	93
108463	85	108533	86	108597	86	108689	93
108464	85	108534	86	108604	96	108690	93
108465	85	108535	86	108614	96	108691	93
108466	85	108536	86	108615	96	108692	93
108467	85	108537	86	108616	96	108693	93
108468	85	108538	86	108617	96	108694	93
108469	85	108539	86	108625	96	108695	93
108470	86	108540	86	108629	96	108696	93
108471	86	108542	86	108637	93	108697	93
108472	86	108543	86	108638	93	108698	93
108473	86	108544	86	108639	93	108699	93
108474	86	108545	86	108640	93	108700	93
108475	86	108546	86	108641	93	108701	93
108476	86	108547	86	108642	93	108702	93
108477	86	108548	86	108643	93	108703	93
108478	86	108549	86	108644	93	108704	93
108479	86	108550	86	108645	93	108705	93
108484	86	108551	86	108646	93	108706	93
108486	86	108552	86	108647	93	108707	93

# PART NUMBER INDEX



Part Number	Page	Part Number	Page	Part Number	Page	Part Number	Page
108708	93	108770	90	109082	97	109171	94
108709	93	108771	90	109084	95	109172	94
108710	93	108772	90	109085	95	109188	94
108711	93	108773	90	109086	95	109189	94
108712	93	108774	90	109087	94	109192	94
108713	93	108775	90	109088	94	109193	94
108714	93	108776	90	109089	94	109196	94
108715	93	108777	90	109090	94	109197	94
108716	93	108778	91	109091	94	109198	94
108717	93	108779	91	109092	94	109199	94
108718	93	108780	91	109093	94	109200	94
108719	93	108781	91	109094	94	109201	94
108720	93	108782	91	109120	94	109202	94
108721	93	108783	91	109121	94	109203	94
108722	93	108784	91	109122	94	109204	94
108723	93	108785	91	109123	94	109205	94
108724	93	108786	91	109125	94	109206	94
108725	93	108787	91	109126	94	109208	94
108726	93	108788	91	109127	94	109209	94
108727	93	108789	91	109128	94	109210	94
108728	93	108790	91	109129	94	109211	94
108729	93	108791	91	109130	94	109213	94
108730	93	108792	91	109131	94	109214	94
108731	93	108793	91	109132	94	109215	94
108732	93	108794	91	109133	94	109216	94
108733	93	108795	91	109134	94	109218	94
108734	93	108796	91	109135	94	109219	94
108735	93	108797	91	109136	94	109220	94
108736	93	108798	91	109137	94	109221	94
108737	93	108799	91	109138	94	109222	94
108738	93	108805	96	109139	94	109223	94
108739	93	108826	96	109140	94	109235	94
108740	93	108827	96	109141	94	109236	94
108741	93	108836	96	109142	94	109237	94
108742	93	108841	96	109143	94	109992	97
108743	93	108867	93	109144	94	109993	97
108744	93	108868	93	109145	94	109994	97
108745	93	108869	93	109146	94	109995	97
108746	93	108872	96	109148	94	109996	97
108747	93	108873	96	109149	94	109997	97
108748	93	108876	91	109150	94	110132	108
108749	93	108877	91	109151	94	110133	108
108750	93	108878	91	109153	94	110134	108
108751	93	108879	91	109154	94	110135	108
108752	93	108880	91	109155	94	110136	108
108753	93	108881	91	109156	94	110137	108
108754	93	108882	91	109157	94	110138	108
108755	93	108883	91	109158	94	110139	108
108756	93	108884	91	109159	94	110140	108
108757	93	108885	91	109160	94	110141	108
108758	93	108886	91	109161	94	110142	108
108759	93	108887	91	109162	94	110143	108
108760	93	108888	91	109163	94	110144	108
108762	93	108889	91	109164	94	110145	108
108764	93	108890	91	109165	94	110146	108
108765	90	108891	91	109166	94	110147	108
108766	90	108892	91	109167	94	110148	108
108767	90	108893	91	109168	94	110149	108
108768	90	108896	93	109169	94	110150	108
108769	90	109076	95	109170	94	110151	108

BUSHINGS & HUBS

SHEAVES

SYNCHRONOUS DRIVES

COUPLINGS

PART NUMBER INDEX

# PART NUMBER INDEX



BUSHINGS & HUBS

SHEAVES

SYNCHRONOUS DRIVES

COUPLINGS

PART NUMBER INDEX

Part Number	Page	Part Number	Page	Part Number	Page	Part Number	Page
110152	108	110228	108	110751	113	110823	114
110153	108	110229	108	110752	113	110824	114
110154	108	110230	108	110753	113	110825	114
110155	108	110231	108	110754	113	110826	114
110156	108	110232	108	110755	113	110827	114
110157	108	110233	108	110756	113	110832	114
110158	108	110234	108	110759	114	110833	114
110159	108	110235	108	110760	113	110834	114
110160	108	110236	108	110761	113	110835	114
110161	108	110237	108	110762	113	110836	114
110162	108	110238	108	110763	113	110837	114
110163	108	110239	108	110764	113	110838	114
110164	108	110240	108	110765	113	110839	114
110165	108	110241	108	110766	113	110840	114
110166	108	110242	108	110767	113	110841	114
110167	108	110243	108	110768	113	110842	114
110168	108	110244	108	110769	113	110843	114
110169	108	110245	108	110770	113	110844	114
110170	108	110246	108	110771	113	110845	114
110171	108	110701	112	110772	113	110846	114
110187	108	110702	112	110773	113	110847	114
110189	108	110703	112	110774	114	110848	114
110190	108	110704	112	110780	114	110849	114
110191	108	110705	112	110781	114	110850	114
110192	108	110706	112	110782	114	110851	114
110193	108	110707	112	110783	114	110852	114
110194	108	110708	112	110784	114	110857	115
110195	108	110710	112	110785	114	110858	115
110196	108	110711	112	110786	114	110859	115
110197	108	110712	112	110787	114	110860	115
110198	108	110713	112	110788	114	110861	115
110199	108	110714	112	110789	114	110862	115
110200	108	110715	112	110790	114	110863	115
110201	108	110716	112	110791	114	110864	115
110202	108	110723	112	110792	114	110865	115
110203	108	110724	112	110793	114	110866	115
110204	108	110725	112	110794	114	110867	115
110205	108	110726	112	110795	114	110868	115
110206	108	110727	112	110796	114	110869	115
110207	108	110728	112	110797	114	110870	115
110208	108	110729	112	110798	114	110871	115
110209	108	110730	112	110799	114	110872	115
110210	108	110731	112	110805	114	110873	115
110211	108	110732	112	110806	114	110874	115
110212	108	110733	112	110807	114	110875	115
110213	108	110734	112	110808	114	110876	115
110214	108	110735	112	110809	114	110877	115
110215	108	110736	112	110810	114	110883	115
110216	108	110737	112	110811	114	110884	115
110217	108	110738	113	110812	114	110885	115
110218	108	110739	113	110813	114	110886	115
110219	108	110742	113	110814	114	110887	115
110220	108	110743	113	110815	114	110888	115
110221	108	110744	113	110816	114	110889	115
110222	108	110745	113	110817	114	110890	115
110223	108	110746	113	110818	114	110891	115
110224	108	110747	113	110819	114	110892	115
110225	108	110748	113	110820	114	110893	115
110226	108	110749	113	110821	114	110894	115
110227	108	110750	113	110822	114	110895	115

# PART NUMBER INDEX



Part Number	Page	Part Number	Page	Part Number	Page	Part Number	Page
110896	115	114327	106	114455	107	114876	26
110897	115	114328	106	114456	107	114877	26
111709	112	114329	106	114457	107	114878	26
113074	105	114330	106	114458	107	114879	26
113120	105	114331	106	114459	107	114880	26
113121	105	114332	106	114460	107	114881	26
113122	105	114333	106	114765	25	114882	26
113450	106	114334	107	114766	25	114883	26
113451	106	114335	107	114767	25	114884	26
113452	106	114336	107	114768	25	114885	26
113453	106	114337	107	114769	25	114886	26
113500	106	114338	107	114770	25	114887	26
113501	106	114339	107	114771	25	114888	26
113502	106	114340	107	114772	25	114889	26
113550	106	114341	107	114773	25	114890	26
113551	106	114342	107	114774	25	114891	26
113804	105	114343	107	114775	25	114892	26
113807	105	114344	107	114776	25	114893	26
113810	105	114345	107	114777	25	114894	26
113813	105	114346	107	114778	25	114895	26
113816	105	114347	107	114779	25	114896	26
113819	105	114348	107	114780	25	114897	26
113822	105	114349	107	114781	25	114898	26
113823	105	114350	107	114782	25	114899	26
113824	105	114351	107	114783	25	114900	26
113854	105	114352	107	114784	25	117004	23
113857	105	114353	107	114785	25	117005	23
113860	105	114354	107	114786	25	117007	23
113863	105	114355	107	114787	25	117008	23
113866	105	114356	107	114788	25	117009	23
113869	105	114357	107	114789	25	117010	23
113872	105	114358	107	114790	25	117011	23
113873	105	114359	107	114791	25	117012	23
113874	105	114360	107	114792	25	117013	23
114301	106	114361	107	114793	25	117014	23
114302	106	114362	107	114794	25	117015	23
114303	106	114363	107	114795	25	117016	23
114304	106	114364	107	114796	25	117017	23
114305	106	114365	107	114797	25	117018	23
114306	106	114366	107	114798	25	117019	23
114307	106	114367	107	114799	25	117020	23
114308	106	114368	107	114800	25	117021	23
114309	106	114369	107	114801	25	117022	23
114310	106	114370	107	114802	25	117023	23
114311	106	114371	107	114803	25	117024	23
114312	106	114372	107	114804	25	117025	23
114313	106	114441	106	114805	25	117026	23
114314	106	114442	106	114806	25	117027	23
114315	106	114443	106	114807	25	117028	23
114316	106	114444	106	114865	26	117029	23
114317	106	114445	106	114866	26	117031	23
114318	106	114446	106	114867	26	117032	23
114319	106	114447	106	114868	26	117033	23
114320	106	114448	106	114869	26	117035	23
114321	106	114449	106	114870	26	117036	23
114322	106	114450	106	114871	26	117037	23
114323	106	114451	106	114872	26	117043	6
114324	106	114452	106	114873	26	117045	27
114325	106	114453	107	114874	26	117049	6
114326	106	114454	107	114875	26	117071	21

BUSHINGS & HUBS

SHEAVES

SYNCHRONOUS DRIVES

COUPLINGS

PART NUMBER INDEX

# PART NUMBER INDEX



BUSHINGS & HUBS

SHEAVES

SYNCHRONOUS DRIVES

COUPLINGS

PART NUMBER INDEX

Part Number	Page	Part Number	Page	Part Number	Page	Part Number	Page
117073	21	117137	23	117230	24	117388	13
117074	21	117139	23	117231	24	117389	13
117075	21	117147	27	117232	24	117390	13
117076	21	117149	27	117233	24	117391	13
117077	21	117150	21	117234	24	117392	13
117078	21	117151	21	117235	24	117393	13
117079	21	117152	21	117236	24	117394	13
117080	21	117153	21	117237	24	117413	25
117081	21	117154	21	117250	27	117414	27
117082	21	117155	21	117267	25	117416	25
117083	21	117156	21	117297	24	117417	25
117084	21	117157	21	117307	27	117419	25
117085	21	117158	21	117310	25	117421	25
117086	21	117159	21	117311	25	117422	25
117087	22	117160	21	117312	25	117424	25
117088	22	117161	21	117313	25	117426	25
117089	22	117162	21	117314	25	117427	25
117090	22	117163	21	117315	25	117428	25
117091	22	117164	22	117316	25	117429	25
117092	22	117165	22	117317	25	117430	25
117093	22	117166	22	117318	25	117431	25
117094	22	117167	22	117319	25	117432	25
117095	22	117168	22	117320	25	117433	25
117096	22	117169	22	117321	25	117434	25
117097	22	117170	22	117322	25	117435	25
117098	22	117173	22	117323	25	117436	25
117099	22	117174	22	117324	25	117437	25
117101	23	117175	22	117325	25	117438	25
117102	23	117176	22	117326	25	117439	25
117103	23	117177	22	117327	25	117440	26
117104	23	117178	23	117328	25	117441	25
117105	23	117179	23	117329	25	117442	25
117106	23	117180	23	117330	25	117443	25
117107	23	117181	23	117331	25	117444	25
117108	23	117182	23	117332	25	117447	26
117109	23	117183	23	117333	25	117448	27
117110	23	117205	27	117334	25	117450	26
117111	22	117207	24	117335	25	117451	27
117112	23	117208	24	117336	25	117452	26
117113	23	117209	24	117337	25	117453	26
117114	23	117210	24	117338	25	117454	26
117115	22	117211	24	117340	25	117455	27
117116	23	117212	24	117341	25	117458	26
117117	23	117213	24	117345	27	117459	26
117118	23	117214	24	117352	25	117460	26
117119	23	117215	24	117371	13	117461	26
117120	23	117216	24	117372	13	117462	26
117121	23	117217	24	117373	13	117463	26
117122	23	117218	24	117374	13	117464	26
117124	23	117219	24	117377	13	117465	26
117125	23	117220	24	117378	13	117466	26
117126	23	117221	24	117379	13	117467	26
117128	23	117222	24	117380	13	117468	26
117129	23	117223	24	117381	13	117469	26
117130	23	117224	24	117382	13	117531	13
117132	23	117225	24	117383	13	117532	13
117133	23	117226	24	117384	13	117533	13
117134	23	117227	24	117385	13	117534	13
117135	23	117228	24	117386	13	117535	13
117136	23	117229	24	117387	13	117536	13

# PART NUMBER INDEX



Part Number	Page	Part Number	Page	Part Number	Page	Part Number	Page
117537	13	117738	24	119117	22	119328	23
117538	13	117849	25	119118	22	119329	23
117539	13	117850	25	119119	22	119330	23
117540	13	118283	72	119120	22	119331	23
117541	13	118284	72	119121	22	119332	23
117542	13	118285	72	119122	22	119361	27
117543	13	118286	72	119125	22	119365	21
117544	13	119001	21	119129	22	119366	21
117545	13	119002	21	119141	27	119368	21
117546	13	119003	21	119176	21	119370	21
117547	13	119004	21	119177	21	119372	21
117548	13	119005	21	119179	21	119374	21
117549	13	119006	21	119181	21	119386	27
117550	13	119007	21	119183	21	119390	21
117551	13	119008	21	119187	27	119391	21
117552	13	119009	21	119191	21	119392	21
117553	13	119010	21	119192	21	119393	21
117554	13	119011	21	119194	21	119394	21
117555	13	119012	21	119196	21	119395	21
117556	13	119013	21	119198	21	119396	21
117557	13	119023	27	119200	21	119397	21
117558	13	119038	22	119206	27	119398	21
117559	13	119039	22	119209	27	119399	21
117560	13	119040	22	119211	21	119400	21
117561	13	119041	22	119212	21	119401	21
117562	13	119042	22	119214	21	119402	21
117563	13	119043	22	119216	21	119403	21
117564	13	119044	22	119220	21	119404	21
117565	13	119045	22	119224	21	119438	21
117571	13	119046	22	119228	21	119565	21
117575	13	119047	22	119236	22	119566	21
117576	13	119048	22	119241	22	119567	21
117583	13	119049	22	119242	22	119568	21
117584	13	119050	22	119244	22	119569	21
117587	13	119051	22	119246	22	119570	21
117588	13	119052	22	119248	22	119571	21
117589	13	119053	22	119250	22	119572	21
117703	24	119054	22	119254	22	119573	22
117704	25	119055	22	119258	22	119574	22
117705	26	119056	22	119262	22	119575	21
117707	24	119057	22	119272	27	119576	21
117708	24	119058	22	119304	23	119577	21
117709	24	119067	27	119306	23	119579	21
117710	24	119068	22	119307	23	119580	21
117714	25	119100	22	119308	23	119581	21
117715	25	119102	22	119310	23	119582	21
117716	25	119103	22	119311	23	119583	21
117717	25	119104	22	119312	23	119584	21
117718	26	119105	22	119314	23	119585	21
117719	26	119106	22	119315	23	119586	21
117721	23	119107	22	119316	23	119587	21
117722	24	119108	22	119318	23	119588	21
117723	25	119109	22	119319	23	119589	21
117724	25	119110	22	119320	23	119590	21
117725	25	119111	22	119321	23	119591	21
117726	25	119112	22	119322	23	119592	21
117729	25	119113	22	119323	23	119593	21
117734	26	119114	22	119324	23	119594	21
117736	26	119115	22	119326	23	119595	21
117737	24	119116	22	119327	23	119596	21

BUSHINGS & HUBS

SHEAVES

SYNCHRONOUS DRIVES

COUPLINGS

PART NUMBER INDEX

# PART NUMBER INDEX



BUSHINGS & HUBS

SHEAVES

SYNCHRONOUS DRIVES

COUPLINGS

PART NUMBER INDEX

Part Number	Page	Part Number	Page	Part Number	Page	Part Number	Page
119598	22	119667	22	119743	24	119812	24
119599	22	119668	22	119744	24	119813	24
119600	22	119669	22	119745	24	119814	24
119601	22	119670	22	119746	24	119815	24
119602	22	119671	22	119747	24	119816	24
119603	22	119672	22	119748	24	119817	24
119604	22	119673	23	119749	24	119818	25
119605	22	119674	23	119750	24	119819	25
119606	22	119675	23	119751	24	119820	25
119607	22	119676	23	119752	24	119860	13
119608	22	119677	23	119753	24	119862	13
119609	22	119678	23	119754	25	119863	13
119610	22	119679	23	119755	25	119864	13
119611	22	119680	23	119756	25	119865	13
119612	22	119681	23	119757	25	119866	13
119613	22	119682	23	119758	25	119867	13
119614	22	119683	24	119759	25	119868	13
119615	22	119700	27	119760	25	119869	13
119616	22	119701	27	119761	25	119870	13
119617	22	119702	24	119762	25	119876	11
119618	22	119703	24	119763	25	119877	11
119619	22	119704	24	119764	25	119878	11
119620	22	119705	24	119765	25	119879	11
119621	22	119706	24	119766	27	119880	11
119622	22	119707	24	119767	27	119881	11
119623	22	119708	24	119768	27	119882	11
119624	23	119709	24	119769	27	119883	11
119625	23	119710	24	119770	24	119884	11
119626	23	119711	24	119771	24	119885	11
119627	23	119712	24	119772	24	119886	11
119628	23	119713	24	119773	24	119894	10
119629	23	119714	24	119774	24	119895	24
119630	23	119715	24	119775	24	119899	10
119640	23	119716	24	119776	24	119900	9
119641	23	119717	24	119777	24	119901	9
119642	23	119718	24	119778	24	119902	9
119643	23	119719	24	119779	24	119903	9
119644	23	119720	24	119780	24	119904	9
119645	23	119721	24	119781	24	119905	9
119646	23	119722	24	119782	24	119906	9
119647	23	119723	24	119783	24	119907	9
119648	23	119724	24	119784	25	119908	9
119649	23	119725	24	119785	25	119909	9
119650	23	119726	24	119786	25	119910	9
119651	21	119727	24	119787	25	119911	9
119652	21	119728	24	119788	25	119912	9
119653	21	119729	24	119789	27	119913	9
119654	21	119730	24	119790	27	119914	9
119655	21	119731	24	119791	24	119915	9
119656	21	119732	24	119792	24	119916	9
119657	21	119733	24	119793	24	119917	9
119658	21	119734	24	119795	24	119918	9
119659	21	119735	24	119796	24	119919	9
119660	21	119736	24	119797	24	119920	9
119661	21	119737	24	119798	24	119921	9
119662	21	119738	24	119799	24	119922	9
119663	22	119739	24	119808	23	119923	9
119664	22	119740	24	119809	23	119924	9
119665	22	119741	24	119810	23	119925	9
119666	22	119742	24	119811	23	119926	9



# PART NUMBER INDEX



Part Number	Page	Part Number	Page	Part Number	Page	Part Number	Page
119927	10	120052	11	120134	8	120339	6
119928	10	120053	11	120135	8	120340	6
119929	10	120054	11	120136	8	120341	6
119930	10	120055	11	120137	8	120342	6
119931	10	120056	11	120138	8	120343	6
119932	10	120057	11	120139	8	120344	6
119933	10	120058	11	120140	8	120345	6
119934	10	120070	7	120141	8	120346	6
119935	10	120071	8	120142	8	120347	6
119936	10	120073	8	120143	8	120348	6
119937	10	120074	8	120144	8	120349	6
119938	11	120075	8	120145	8	120350	6
119940	10	120076	9	120146	8	120351	6
119941	10	120077	9	120147	9	120352	6
119942	10	120088	6	120148	9	120353	6
119943	10	120089	6	120149	9	120354	6
119944	10	120090	6	120150	9	120355	6
119945	10	120091	6	120151	9	120356	6
119946	10	120092	6	120152	9	120357	6
119947	10	120093	6	120153	9	120358	6
119948	10	120094	6	120154	9	120359	6
119949	10	120095	6	120155	9	120360	6
119950	10	120096	6	120157	9	120361	6
119951	10	120097	6	120158	9	120362	6
119952	10	120098	6	120159	9	120363	6
119953	10	120099	6	120160	9	120364	7
119954	10	120100	6	120161	9	120365	7
119955	10	120101	6	120162	9	120366	7
119956	10	120102	6	120163	9	120367	7
119957	10	120103	7	120164	9	120368	7
119958	10	120104	7	120165	9	120369	7
119959	10	120105	7	120166	9	120370	7
119960	10	120106	7	120167	9	120371	7
119961	10	120107	7	120180	10	120372	7
119962	10	120108	7	120181	10	120373	7
119963	11	120109	7	120182	10	120374	7
119965	10	120110	7	120183	10	120375	7
119966	10	120111	7	120186	10	120376	7
119967	10	120112	7	120188	10	120377	7
119968	10	120113	7	120189	10	120378	7
119969	10	120114	7	120190	10	120379	7
119970	10	120115	7	120191	10	120380	7
119971	10	120116	7	120192	10	120381	7
119972	10	120117	7	120193	10	120382	7
119973	10	120118	7	120194	10	120383	7
119974	10	120119	7	120196	10	120384	7
119975	10	120120	7	120197	10	120385	7
119976	10	120121	7	120198	10	120386	7
119977	10	120122	7	120199	10	120387	7
119978	10	120123	7	120200	10	120388	6
119979	11	120124	8	120276	11	120389	6
119980	10	120125	8	120328	10	120390	6
119982	10	120126	8	120329	6	120391	6
119983	10	120127	8	120332	6	120392	6
119984	10	120128	8	120333	6	120393	6
119985	10	120129	8	120334	6	120394	6
119986	10	120130	8	120335	6	120395	6
119987	10	120131	8	120336	6	120396	6
120050	11	120132	8	120337	6	120397	6
120051	11	120133	8	120338	6	120398	6

BUSHINGS & HUBS

SHEAVES

SYNCHRONOUS DRIVES

COUPLINGS

PART NUMBER INDEX

# PART NUMBER INDEX



BUSHINGS & HUBS

SHEAVES

SYNCHRONOUS DRIVES

COUPLINGS

PART NUMBER INDEX

Part Number	Page	Part Number	Page	Part Number	Page	Part Number	Page
120399	6	120460	7	120526	8	120611	9
120400	6	120461	8	120527	8	120612	9
120401	6	120462	8	120528	8	120613	9
120402	6	120463	8	120529	8	120614	9
120403	6	120464	8	120530	8	120615	9
120404	6	120465	8	120531	8	120617	9
120405	6	120466	8	120533	8	120618	9
120406	6	120467	8	120534	8	120619	9
120407	6	120468	8	120535	8	120620	9
120408	6	120469	8	120537	8	120621	9
120409	6	120470	8	120538	8	120622	9
120410	6	120471	8	120539	8	120623	9
120411	6	120472	8	120540	8	120624	9
120412	6	120473	8	120541	8	120625	9
120413	7	120474	8	120542	8	120626	9
120414	7	120475	8	120543	8	120627	9
120415	7	120476	8	120544	8	120628	9
120416	7	120477	8	120545	8	120629	9
120417	7	120478	8	120546	8	120630	9
120418	7	120479	8	120547	8	120631	9
120419	7	120482	8	120548	8	120632	9
120420	7	120483	8	120549	8	120633	9
120421	7	120484	8	120550	8	120634	9
120422	7	120485	8	120551	8	120635	9
120423	7	120486	8	120552	9	120636	9
120424	7	120487	8	120553	9	120637	9
120425	7	120488	8	120554	9	121129	17
120426	7	120490	8	120555	9	121130	17
120427	7	120492	8	120557	9	121131	17
120428	7	120493	8	120558	9	121133	17
120429	7	120494	8	120559	9	121134	17
120430	7	120495	8	120560	9	121136	17
120431	7	120496	8	120561	9	121138	17
120432	7	120497	8	120562	9	121140	17
120433	7	120498	8	120563	9	121144	17
120434	7	120499	8	120565	9	121145	17
120435	7	120500	8	120566	9	121146	17
120436	7	120501	8	120567	9	121147	17
120437	7	120502	8	120569	9	121148	17
120438	7	120503	8	120570	9	121149	17
120439	7	120504	8	120571	9	121150	17
120440	7	120505	8	120573	9	121151	17
120441	7	120506	8	120574	9	121153	17
120442	7	120507	8	120575	9	121154	17
120443	7	120508	8	120577	9	121166	17
120444	7	120509	8	120578	9	121167	17
120445	7	120510	8	120579	9	121168	17
120447	7	120511	8	120580	6	121173	17
120448	7	120512	8	120581	7	121174	17
120449	7	120513	8	120592	8	121469	17
120450	7	120514	8	120600	9	122050	17
120451	7	120516	8	120601	9	122051	17
120452	7	120517	8	120603	9	122052	17
120453	7	120518	8	120604	9	122053	17
120454	7	120519	8	120605	9	122054	17
120455	7	120520	8	120606	9	122055	17
120456	7	120521	8	120607	9	122056	17
120457	7	120522	8	120608	9	146400	116
120458	7	120524	8	120609	9	146401	116
120459	7	120525	8	120610	9	146402	116

# PART NUMBER INDEX



Part Number	Page	Part Number	Page	Part Number	Page	Part Number	Page
146403	116	146463	116	146524	116	146584	117
146404	116	146464	116	146525	116	146585	117
146405	116	146465	116	146526	116	146586	117
146406	116	146466	116	146527	116	146587	117
146407	116	146467	116	146528	116	146588	117
146408	116	146468	116	146529	116	146589	117
146409	116	146469	116	146530	116	146590	117
146410	116	146470	116	146531	116	146591	117
146411	116	146471	116	146532	117	146592	117
146412	116	146472	116	146533	117	146593	117
146413	116	146473	116	146534	117	146594	117
146414	116	146474	116	146535	117	146595	117
146415	116	146475	116	146536	117	146596	117
146416	116	146476	116	146537	117	146597	117
146417	116	146477	116	146538	117	146598	117
146418	116	146478	116	146539	117	146599	117
146419	116	146479	116	146540	117	146600	117
146420	116	146480	116	146541	117	146601	117
146421	116	146481	116	146542	117	146602	117
146422	116	146482	116	146543	117	146603	117
146423	116	146483	116	146544	117	146604	117
146424	116	146484	116	146545	117	146605	117
146425	116	146485	116	146546	117	146606	117
146426	116	146486	116	146547	117	146607	117
146427	116	146487	116	146548	117	146608	117
146428	116	146488	116	146549	117	146609	117
146429	116	146489	116	146550	117	146610	117
146430	116	146490	116	146551	117	146611	117
146431	116	146491	116	146552	117	146612	117
146432	116	146492	116	146553	117	146613	117
146433	116	146493	116	146554	117	146614	117
146434	116	146494	116	146555	117	146615	117
146435	116	146495	116	146556	117	146616	117
146436	116	146496	116	146557	117	146617	117
146437	116	146497	116	146558	117	146618	117
146438	116	146498	116	146559	117	146619	117
146439	116	146499	116	146560	117	146620	117
146440	116	146500	116	146561	117	146621	117
146441	116	146501	116	146562	117	146622	117
146442	116	146502	116	146563	117	146623	117
146443	116	146503	116	146564	117	146624	117
146444	116	146504	116	146565	117	146625	117
146445	116	146505	116	146566	117	146626	117
146446	116	146507	116	146567	117	146627	117
146447	116	146508	116	146568	117	146628	117
146448	116	146509	116	146569	117	146629	117
146449	116	146510	116	146570	117	146630	117
146450	116	146511	116	146571	117	146631	117
146451	116	146512	116	146572	117	146633	117
146452	116	146513	116	146573	117	146634	117
146453	116	146514	116	146574	117	146635	117
146454	116	146515	116	146575	117	146636	117
146455	116	146516	116	146576	117	146637	117
146456	116	146517	116	146577	117	146638	117
146457	116	146518	116	146578	117	146639	117
146458	116	146519	116	146579	117	146640	117
146459	116	146520	116	146580	117	146641	117
146460	116	146521	116	146581	117	151152	17
146461	116	146522	116	146582	117	1TB34	62
146462	116	146523	116	146583	117	1TB36	62

BUSHINGS & HUBS

SHEAVES

SYNCHRONOUS DRIVES

COUPLINGS

PART NUMBER INDEX

# PART NUMBER INDEX



BUSHINGS & HUBS

SHEAVES

SYNCHRONOUS DRIVES

COUPLINGS

PART NUMBER INDEX

Part Number	Page	Part Number	Page	Part Number	Page	Part Number	Page
1TB38	62	1VW62	58	226870	30	228467	14
1TB40	62	1VW64	58	226871	30	228468	14
1TB42	62	1VW66	58	226872	30	228469	14
1TB44	62	1VW68	58	226873	30	228470	14
1TB46	62	1VW70	58	226874	30	228471	14
1TB48	62	1VW74	58	226875	30	228472	14
1TB50	62	1VW80	58	226876	30	228473	14
1TB52	62	1VW86	58	226877	30	228474	14
1TB54	62	1VW90	58	226878	30	228475	14
1TB56	62	1VW94	58	226879	30	228476	14
1TB58	62	1VW110	58	226880	30	228477	14
1TB60	62	1VW124	58	226881	30	2MA20	36, 37
1TB62	62	1VW136	58	226882	30	2MA20X1/2	37
1TB64	62	1VW154	58	226883	30	2MA20X3/4	37
1TB66	62	1VW160	58	226884	30	2MA20X5/8	37
1TB68	62	1VW184	58	226885	30	2MA22	36, 37
1TB70	62	1VW200	58	226886	30	2MA22X1/2	37
1TB74	62	1VW234	58	226887	30	2MA22X3/4	37
1TB80	62	1VW250	58	226888	30	2MA22X5/8	37
1TB86	62	1VW278	58	226889	30	2MA23	36, 37
1TB90	62	226830	30	226890	30	2MA23X1	37
1TB94	62	226831	30	226891	30	2MA23X1/2	37
1TB110	62	226832	30	226892	30	2MA23X3/4	37
1TB124	62	226833	30	226893	30	2MA23X5/8	37
1TB136	62	226834	30	226894	30	2MA23X7/8	37
1TB154	62	226835	30	226895	30	2MA24	36, 37
1TB160	62	226836	30	226896	30	2MA24X1	37
1TB184	62	226837	30	226897	30	2MA24X3/4	37
1TB200	62	226838	30	226898	30	2MA24X5/8	37
1TB250	62	226839	30	226899	30	2MA24X7/8	37
1TB300	62	226840	30	226900	30	2MA25	36, 37
1TB380	62	226841	30	226901	30	2MA25X1	37
1VM50	50	226842	30	226902	30	2MA25X1-1/8	37
1VM50X1/2	50	226843	30	226903	30	2MA25X1/2	37
1VM50X3/4	50	226844	30	226904	30	2MA25X3/4	37
1VM50X5/8	50	226845	30	226905	30	2MA25X5/8	37
1VM50X7/8	50	226846	30	226906	30	2MA25X7/8	37
1VP25	52, 53, 54	226847	30	226907	30	2MA27	36, 37
1VP30	52, 53, 54	226848	30	226908	30	2MA27X1	37
1VP34	52, 53, 54	226849	30	226909	30	2MA27X1/2	37
1VP40	52, 53, 54	226850	30	226910	30	2MA27X3/4	37
1VP44	52, 53, 54	226851	30	226911	30	2MA27X5/8	37
1VP50	52, 53, 54	226852	30	226912	30	2MA27X7/8	37
1VP56	52, 53, 54	226853	30	226913	30	2MA28	36, 37
1VP60	52, 53, 54	226854	30	226914	30	2MA28X1	37
1VP62	52, 53, 54	226855	30	226915	30	2MA28X1-1/8	37
1VP65	52, 53, 54	226856	30	226916	32	2MA28X3/4	37
1VP68	52, 53, 54	226857	30	226917	32	2MA28X5/8	37
1VP71	52, 53, 54	226858	30	226918	32	2MA28X7/8	37
1VP75	52, 53, 54	226859	30	226919	32	2MA29	36, 37
1VW42	58	226860	30	226920	32	2MA29X1	37
1VW44	58	226861	30	226921	32	2MA29X3/4	37
1VW46	58	226862	30	226922	32	2MA29X5/8	37
1VW48	58	226863	30	226923	32	2MA29X7/8	37
1VW50	58	226864	30	226924	32	2MA30	36, 37
1VW52	58	226865	30	226925	32	2MA30X1	37
1VW54	58	226866	30	226926	32	2MA30X1-1/8	37
1VW56	58	226867	30	226927	32	2MA30X1/2	37
1VW58	58	226868	30	226928	32	2MA30X3/4	37
1VW60	58	226869	30	228466	14	2MA30X5/8	37

Part Number	Page	Part Number	Page	Part Number	Page	Part Number	Page
2MA30X7/8.....	37	2MA55X5/8.....	37	2MA113.....	36, 37	2MB25X1/2.....	41
2MA33.....	36, 37	2MA55X7/8.....	37	2MA113X1.....	37	2MB25X3/4.....	41
2MA33X1.....	37	2MA58.....	36, 37	2MA113X1-3/16.....	37	2MB25X5/8.....	41
2MA33X1-1/8.....	37	2MA58X1.....	37	2MA113X1-7/16.....	37	2MB25X7/8.....	41
2MA33X3/4.....	37	2MA58X1-1/8.....	37	2MA113X3/4.....	37	2MB28.....	40, 41
2MA33X5/8.....	37	2MA58X1-3/8.....	37	2MA120.....	36, 37	2MB28X1.....	41
2MA33X7/8.....	37	2MA60.....	36, 37	2MA120X1.....	37	2MB28X1-1/8.....	41
2MA35.....	36, 37	2MA60X1.....	37	2MA120X7/8.....	37	2MB28X1/2.....	41
2MA35X1.....	37	2MA60X1-1/8.....	37	2MA123.....	36, 37	2MB28X3/4.....	41
2MA35X1-1/8.....	37	2MA60X1-3/8.....	37	2MA123X1.....	37	2MB28X5/8.....	41
2MA35X3/4.....	37	2MA60X3/4.....	37	2MA123X1-3/16.....	37	2MB28X7/8.....	41
2MA35X5/8.....	37	2MA60X7/8.....	37	2MA123X1-7/16.....	37	2MB30.....	40, 41
2MA35X7/8.....	37	2MA63.....	36, 37	2MA123X3/4.....	37	2MB30X1.....	41
2MA38.....	36, 37	2MA63X1.....	37	2MA133.....	36, 37	2MB30X1-1/8.....	41
2MA38X1.....	37	2MA63X1-1/8.....	37	2MA133X1-3/16.....	37	2MB30X1/2.....	41
2MA38X1-1/8.....	37	2MA63X1-3/8.....	37	2MA143.....	36, 37	2MB30X1-3/8.....	41
2MA38X3/4.....	37	2MA63X1-3/16.....	37	2MA143X1.....	37	2MB30X3/4.....	41
2MA38X5/8.....	37	2MA63X1-7/16.....	37	2MA143X1-3/16.....	37	2MB30X5/8.....	41
2MA38X7/8.....	37	2MA63X3/4.....	37	2MA143X1-7/16.....	37	2MB30X7/8.....	41
2MA40.....	36, 37	2MA70.....	36, 37	2MA153.....	36, 37	2MB32.....	40, 41
2MA40X1.....	37	2MA70X1.....	37	2MA153X1-3/16.....	37	2MB32X1.....	41
2MA40X1-1/8.....	37	2MA70X1-1/8.....	37	2MA153X1-7/16.....	37	2MB32X1-1/8.....	41
2MA40X3/4.....	37	2MA70X3/4.....	37	2MA183.....	36, 37	2MB32X1/2.....	41
2MA40X5/8.....	37	2MA73.....	36, 37	2MA183X1-3/16.....	37	2MB32X3/4.....	41
2MA40X7/8.....	37	2MA73X1.....	37	2MA183X1-7/16.....	37	2MB32X5/8.....	41
2MA43.....	36, 37	2MA73X1-1/8.....	37	2MAL30.....	43	2MB32X7/8.....	41
2MA43X1.....	37	2MA73X1-3/8.....	37	2MAL32.....	43	2MB33.....	40, 41
2MA43X1-1/8.....	37	2MA73X1-3/16.....	37	2MAL34.....	43	2MB33X1.....	41
2MA43X3/4.....	37	2MA73X1-7/16.....	37	2MAL37.....	43	2MB33X1-1/8.....	41
2MA43X5/8.....	37	2MA73X3/4.....	37	2MAL39.....	43	2MB33X3/4.....	41
2MA43X7/8.....	37	2MA80.....	36, 37	2MAL42.....	43	2MB33X5/8.....	41
2MA45.....	36, 37	2MA80X1.....	37	2MAL44.....	43	2MB33X7/8.....	41
2MA45X1.....	37	2MA80X1-1/8.....	37	2MAL47.....	43	2MB34.....	40, 41
2MA45X1-1/8.....	37	2MA80X3/4.....	37	2MAL49.....	43	2MB34X1.....	41
2MA45X3/4.....	37	2MA83.....	36, 37	2MAL52.....	43	2MB34X1-1/8.....	41
2MA45X5/8.....	37	2MA83X1.....	37	2MAL54.....	43	2MB34X5/8.....	41
2MA45X7/8.....	37	2MA83X1-1/8.....	37	2MAL57.....	43	2MB34X7/8.....	41
2MA48.....	36, 37	2MA83X1-3/8.....	37	2MAL59.....	43	2MB35.....	40, 41
2MA48X1.....	37	2MA83X1-3/16.....	37	2MAL62.....	43	2MB35X1.....	41
2MA48X1-1/8.....	37	2MA83X1-7/16.....	37	2MAL72.....	43	2MB35X1-1/8.....	41
2MA48X1-3/8.....	37	2MA83X3/4.....	37	2MAL82.....	43	2MB35X3/4.....	41
2MA48X3/4.....	37	2MA83X15/16.....	37	2MAL92.....	43	2MB35X5/8.....	41
2MA48X7/8.....	37	2MA90.....	36, 37	2MAL102.....	43	2MB35X7/8.....	41
2MA50.....	36, 37	2MA90X1.....	37	2MAL112.....	43	2MB38.....	40, 41
2MA50X1.....	37	2MA90X1-1/8.....	37	2MAL122.....	43	2MB38X1.....	41
2MA50X1-1/8.....	37	2MA90X5/8.....	37	2MAL132.....	43	2MB38X1-1/8.....	41
2MA50X3/4.....	37	2MA93.....	36, 37	2MAL142.....	43	2MB38X1-3/8.....	41
2MA50X5/8.....	37	2MA93X1.....	37	2MAL152.....	43	2MB38X3/4.....	41
2MA50X7/8.....	37	2MA93X1-1/8.....	37	2MAL182.....	43	2MB38X5/8.....	41
2MA53.....	36, 37	2MA93X1-3/16.....	37	2MB20.....	40, 41	2MB38X7/8.....	41
2MA53X1.....	37	2MA93X1-7/16.....	37	2MB20X1/2.....	41	2MB40.....	40, 41
2MA53X1-1/8.....	37	2MA93X3/4.....	37	2MB20X3/4.....	41	2MB40X1.....	41
2MA53X3/4.....	37	2MA100.....	36, 37	2MB20X5/8.....	41	2MB40X1-1/4.....	41
2MA53X5/8.....	37	2MA100X1.....	37	2MB20X7/8.....	41	2MB40X1-1/8.....	41
2MA53X7/8.....	37	2MA103.....	36, 37	2MB23.....	40, 41	2MB40X3/4.....	41
2MA55.....	36, 37	2MA103X1.....	37	2MB23X5/8.....	41	2MB40X5/8.....	41
2MA55X1.....	37	2MA103X1-3/16.....	37	2MB23X7/8.....	41	2MB40X7/8.....	41
2MA55X1-1/8.....	37	2MA103X1-7/16.....	37	2MB25.....	40, 41	2MB43.....	40, 41
2MA55X1-3/8.....	37	2MA103X3/4.....	37	2MB25X1.....	41	2MB43X1-1/8.....	41
2MA55X3/4.....	37	2MA110.....	36, 37	2MB25X1-1/8.....	41	2MB43X1-3/8.....	41

# PART NUMBER INDEX



BUSHINGS & HUBS

SHEAVES

SYNCHRONOUS DRIVES

COUPLINGS

PART NUMBER INDEX

Part Number	Page	Part Number	Page	Part Number	Page	Part Number	Page
2MB45	40, 41	2MB78X3/4	41	2MBL44	45	2VP65	52, 53, 54
2MB45X1	41	2MB78X7/8	41	2MBL47	45	2VP68	52, 53, 54
2MB45X1-1/8	41	2MB80	40, 41	2MBL49	45	2VP71	52, 53, 54
2MB45X5/8	41	2MB80X1	41	2MBL52	45	2VP75	52, 53, 54
2MB45X7/8	41	2MB80X1-1/8	41	2MBL54	45	2VW42	58
2MB48	40, 41	2MB80X1-3/8	41	2MBL57	45	2VW44	58
2MB48X1	41	2MB88	40, 41	2MBL59	45	2VW46	58
2MB48X1-1/8	41	2MB88X1	41	2MBL62	45	2VW48	58
2MB48X3/4	41	2MB88X1-1/4	41	2MBL64	45	2VW50	58
2MB50	40, 41	2MB88X1-1/8	41	2MBL67	45	2VW52	58
2MB50X1	41	2MB88X1-3/8	41	2MBL69	45	2VW54	58
2MB50X1-1/4	41	2MB88X1-3/16	41	2MBL77	45	2VW56	58
2MB50X1-1/8	41	2MB88X1-7/16	41	2MBL87	45	2VW58	58
2MB50X3/4	41	2MB88X3/4	41	2MBL97	45	2VW60	58
2MB50X5/8	41	2MB90	40, 41	2MBL107	45	2VW62	58
2MB50X7/8	41	2MB90X1	41	2MBL117	45	2VW64	58
2MB53	40, 41	2MB98	40, 41	2MBL127	45	2VW66	58
2MB53X1	41	2MB98X1	41	2MBL137	45	2VW68	58
2MB53X1-1/8	41	2MB98X1-1/8	41	2MBL157	45	2VW70	58
2MB53X1-3/8	41	2MB98X1-3/16	41	2MBL187	45	2VW74	58
2MB53X7/8	41	2MB98X1-7/16	41	2TB34	62	2VW80	58
2MB55	40, 41	2MB98X3/4	41	2TB36	62	2VW86	58
2MB55X1	41	2MB100	40, 41	2TB38	62	2VW90	58
2MB55X1-1/8	41	2MB100X1	41	2TB40	62	2VW94	58
2MB55X1-3/8	41	2MB108	40, 41	2TB42	62	2VW110	58
2MB55X3/4	41	2MB108X1	41	2TB44	62	2VW124	58
2MB55X7/8	41	2MB108X1-1/4	41	2TB46	62	2VW136	58
2MB58	40, 41	2MB108X1-3/16	41	2TB48	62	2VW154	59
2MB58X1	41	2MB108X1-7/16	41	2TB50	62	2VW160	59
2MB58X1-1/8	41	2MB110	40, 41	2TB52	62	2VW184	59
2MB58X1-3/8	41	2MB110X1	41	2TB54	62	2VW200	59
2MB60	40, 41	2MB118	40, 41	2TB56	62	2VW234	59
2MB60X1	41	2MB118X1	41	2TB58	62	2VW250	59
2MB60X1-1/8	41	2MB118X1-1/4	41	2TB60	62	2VW278	59
2MB60X7/8	41	2MB118X1-3/16	41	2TB62	62	393002	22
2MB63	40, 41	2MB118X1-7/16	41	2TB64	62	393170	24
2MB63X1	41	2MB120	40, 41	2TB66	63	394059	11
2MB63X1-1/8	41	2MB120X1	41	2TB68	63	394350	145
2MB63X1-3/8	41	2MB120X1-1/4	41	2TB70	63	395372	145
2MB65	40, 41	2MB128	40, 41	2TB74	63	395373	145
2MB65X1	41	2MB128X1	41	2TB80	63	395374	145
2MB65X1-1/8	41	2MB128X1-3/16	41	2TB86	63	3TB34	63
2MB65X1-3/8	41	2MB128X1-7/16	41	2TB90	63	3TB36	63
2MB65X3/4	41	2MB138	40, 41	2TB94	63	3TB38	63
2MB68	40, 41	2MB138X1	41	2TB110	63	3TB40	63
2MB68X1	41	2MB138X1-1/4	41	2TB124	63	3TB42	63
2MB68X1-1/8	41	2MB138X1-3/16	41	2TB136	63	3TB44	63
2MB68X1-3/8	41	2MB138X1-7/16	41	2TB154	63	3TB46	63
2MB68X1-3/16	41	2MB158	40, 41	2TB160	63	3TB48	63
2MB68X1-7/16	41	2MB158X1	41	2TB184	63	3TB50	63
2MB70	40, 41	2MB158X1-3/16	41	2TB200	63	3TB52	63
2MB70X1	41	2MB158X1-7/16	41	2TB250	63	3TB54	63
2MB70X1-1/8	41	2MB188	40, 41	2TB300	63	3TB56	63
2MB70X7/8	41	2MB188X1-3/16	41	2TB380	63	3TB58	63
2MB78	40, 41	2MB188X1-7/16	41	2VP36	52, 53, 54	3TB60	63
2MB78X1	41	2MBL33	45	2VP42	52, 53, 54	3TB62	63
2MB78X1-1/4	41	2MBL35	45	2VP50	52, 53, 54	3TB64	63
2MB78X1-1/8	41	2MBL37	45	2VP56	52, 53, 54	3TB66	63
2MB78X1-3/16	41	2MBL39	45	2VP60	52, 53, 54	3TB68	63
2MB78X1-7/16	41	2MBL42	45	2VP62	52, 53, 54	3TB70	63

# PART NUMBER INDEX



Part Number	Page	Part Number	Page	Part Number	Page	Part Number	Page
3TB74	63	455104	66	455164	66	455224	67
3TB80	63	455105	66	455165	66	455225	67
3TB86	63	455106	66	455166	66	455226	67
3TB90	63	455107	66	455167	66	455227	67
3TB94	63	455108	66	455168	66	455228	67
3TB110	63	455109	66	455169	66	455229	67
3TB124	63	455110	66	455170	66	455230	67
3TB136	63	455111	66	455171	66	455231	67
3TB154	63	455112	66	455172	66	455232	67
3TB160	63	455113	66	455173	66	455233	67
3TB184	63	455114	66	455174	66	455234	67
3TB200	63	455115	66	455175	66	455235	67
3TB250	63	455116	66	455176	66	455236	67
3TB300	63	455117	66	455177	66	455237	67
3TB380	63	455118	66	455178	66	455238	67
3W42	59	455119	66	455179	66	455239	67
3W44	59	455120	66	455180	66	455240	68
3W46	59	455121	66	455181	66	455241	68
3W48	59	455122	66	455182	66	455242	68
3W50	59	455123	66	455183	66	455243	68
3W52	59	455124	66	455184	66	455244	68
3W54	59	455125	66	455185	66	455245	68
3W56	59	455126	66	455186	66	455246	68
3W58	59	455127	66	455187	66	455247	68
3W60	59	455128	66	455188	67	455248	68
3W62	59	455129	66	455189	67	455249	68
3W64	59	455130	66	455190	67	455250	68
3W66	59	455131	66	455191	67	455251	68
3W68	59	455132	66	455192	67	455252	68
3W70	59	455133	66	455193	67	455253	68
3W74	59	455134	66	455194	67	455254	68
3W80	59	455135	66	455195	67	455255	68
3W86	59	455136	66	455196	67	455256	68
3W90	59	455137	66	455197	67	455257	68
3W94	59	455138	66	455198	67	455258	68
3W110	59	455139	66	455199	67	455259	68
3W124	59	455140	66	455200	67	455260	68
3W136	59	455141	66	455201	67	455261	68
3W154	59	455142	66	455202	67	455262	68
3W160	59	455143	66	455203	67	455263	68
3W184	59	455144	66	455204	67	455264	68
3W200	59	455145	66	455205	67	455265	68
3W234	59	455146	66	455206	67	455266	68
3W250	59	455147	66	455207	67	455267	68
3W278	59	455148	66	455208	67	455268	68
411982	149	455149	66	455209	67	455269	68
411983	149	455150	66	455210	67	455270	68
411984	149	455151	66	455211	67	455271	68
411985	149	455152	66	455212	67	455272	68
411986	149	455153	66	455213	67	455273	68
411987	149	455154	66	455214	67	455274	68
411988	149	455155	66	455215	67	455275	68
411989	149	455156	66	455216	67	455276	68
411990	149	455157	66	455217	67	455277	68
425730	139, 145	455158	66	455218	67	455278	68
426013	24	455159	66	455219	67	455279	68
455100	66	455160	66	455220	67	455280	68
455101	66	455161	66	455221	67	455281	68
455102	66	455162	66	455222	67	455282	68
455103	66	455163	66	455223	67	455284	68

BUSHINGS & HUBS

SHEAVES

SYNCHRONOUS DRIVES

COUPLINGS

PART NUMBER INDEX

# PART NUMBER INDEX



BUSHINGS & HUBS

SHEAVES

SYNCHRONOUS DRIVES

COUPLINGS

PART NUMBER INDEX

Part Number	Page	Part Number	Page	Part Number	Page	Part Number	Page
455285	68	455348	68	455408	69	455470	70
455287	68	455349	68	455409	69	455471	70
455288	68	455350	68	455410	69	455472	71
455289	68	455351	68	455411	69	455473	71
455290	68	455352	68	455412	69	455474	71
455291	68	455353	68	455413	69	455475	71
455292	68	455354	68	455414	69	455476	71
455293	68	455355	68	455415	69	455477	71
455294	68	455356	68	455416	70	455478	71
455295	68	455357	68	455417	70	455479	71
455296	68	455358	68	455418	70	455480	71
455297	68	455359	68	455419	70	455481	71
455300	68	455360	68	455420	70	455482	71
455301	68	455361	68	455422	70	455483	71
455302	68	455362	69	455423	70	455484	71
455303	68	455363	69	455424	70	455485	71
455304	68	455364	69	455425	70	455521	70
455305	68	455365	69	455426	70	455550	72
455306	68	455366	69	455427	70	455551	72
455307	68	455367	69	455428	70	455552	72
455308	68	455368	69	455429	70	455553	72
455309	68	455369	69	455430	70	455554	72
455310	68	455370	69	455431	70	455555	72
455311	68	455371	69	455432	70	455556	72
455312	68	455372	69	455433	70	455557	72
455313	68	455373	69	455434	70	455558	72
455314	68	455374	69	455435	70	455559	72
455315	68	455375	69	455436	70	455560	72
455316	68	455376	69	455437	70	455561	72
455317	68	455377	69	455438	70	455562	72
455318	68	455378	69	455439	70	455563	72
455319	68	455379	69	455441	70	455564	72
455320	68	455380	69	455442	70	455565	72
455321	68	455381	69	455443	70	455566	72
455322	68	455382	69	455444	70	455567	72
455323	68	455383	69	455445	70	455568	72
455324	68	455384	69	455446	70	455569	72
455325	68	455385	69	455447	70	455570	72
455326	68	455386	69	455448	70	455571	72
455327	68	455387	69	455449	70	455572	72
455328	68	455388	69	455450	70	455573	72
455329	68	455389	69	455451	70	455574	72
455330	68	455390	69	455452	70	455575	72
455331	68	455391	69	455453	70	455576	72
455332	68	455392	69	455454	70	455577	72
455333	68	455393	69	455455	70	455578	72
455334	68	455394	69	455456	70	455579	72
455335	68	455395	69	455457	70	455580	72
455336	68	455396	69	455458	70	455581	72
455337	68	455397	69	455459	70	455582	72
455338	68	455398	69	455460	70	455583	72
455339	68	455399	69	455461	70	455584	72
455340	68	455400	69	455462	70	455585	72
455341	68	455401	69	455463	70	455586	72
455342	68	455402	69	455464	70	455587	72
455343	68	455403	69	455465	70	455588	72
455344	68	455404	69	455466	70	455589	72
455345	68	455405	69	455467	70	455590	72
455346	68	455406	69	455468	70	455591	72
455347	68	455407	69	455469	70	455592	72



# PART NUMBER INDEX



Part Number	Page	Part Number	Page	Part Number	Page	Part Number	Page
455593	72	455653	73	455713	74	455773	75
455594	72	455654	73	455714	74	455774	75
455595	72	455655	73	455715	74	455775	75
455596	72	455656	73	455716	74	455776	75
455597	72	455657	73	455717	74	455777	75
455598	72	455658	73	455718	74	455778	75
455599	72	455659	73	455719	74	455779	75
455600	72	455660	73	455720	74	455780	75
455601	72	455661	73	455721	74	455781	75
455602	72	455662	73	455722	74	455782	75
455603	72	455663	73	455723	74	455783	75
455604	72	455664	73	455724	74	455784	75
455605	72	455665	73	455725	74	455785	75
455606	72	455666	73	455726	74	455786	75
455607	72	455667	73	455727	74	455787	75
455608	72	455668	73	455728	74	455788	75
455609	73	455669	73	455729	74	455789	75
455610	73	455670	73	455730	74	455790	75
455611	73	455671	73	455731	74	455791	75
455612	73	455672	73	455732	74	455792	75
455613	73	455673	73	455733	74	455793	75
455614	73	455674	73	455734	74	455794	75
455615	73	455675	74	455735	74	455795	75
455616	73	455676	74	455736	74	455796	75
455617	73	455677	74	455737	74	455797	75
455618	73	455678	74	455738	74	455798	75
455619	73	455679	74	455739	74	455799	75
455620	73	455680	74	455740	74	455800	75
455621	73	455681	74	455741	74	455801	75
455622	73	455682	74	455742	74	455802	75
455623	73	455683	74	455743	74	455803	75
455624	73	455684	74	455744	74	455804	75
455625	73	455685	74	455745	74	455806	75
455626	73	455686	74	455746	74	455807	75
455627	73	455687	74	455747	74	455808	75
455628	73	455688	74	455748	74	455809	75
455629	73	455689	74	455749	74	455810	75
455630	73	455690	74	455750	74	455811	75
455631	73	455691	74	455751	74	455812	75
455632	73	455692	74	455752	74	455813	75
455633	73	455693	74	455753	74	455814	75
455634	73	455694	74	455754	74	455815	75
455635	73	455695	74	455755	74	455816	75
455636	73	455696	74	455756	74	455817	75
455637	73	455697	74	455757	74	455818	75
455638	73	455698	74	455758	74	455819	75
455639	73	455699	74	455759	74	455820	75
455640	73	455700	74	455760	74	455821	75
455641	73	455701	74	455761	74	455822	75
455642	73	455702	74	455762	74	455823	75
455643	73	455703	74	455763	74	455824	75
455644	73	455704	74	455764	74	455825	75
455645	73	455705	74	455765	74	455826	75
455646	73	455706	74	455766	74	455827	75
455647	73	455707	74	455767	74	455828	75
455648	73	455708	74	455768	74	455829	75
455649	73	455709	74	455769	74	455830	75
455650	73	455710	74	455770	74	455831	75
455651	73	455711	74	455771	74	455832	75
455652	73	455712	74	455772	74	455833	75

BUSHINGS & HUBS

SHEAVES

SYNCHRONOUS DRIVES

COUPLINGS

PART NUMBER INDEX

# PART NUMBER INDEX



BUSHINGS & HUBS

SHEAVES

SYNCHRONOUS DRIVES

COUPLINGS

PART NUMBER INDEX

Part Number	Page	Part Number	Page	Part Number	Page	Part Number	Page
455834	75	455894	76	455954	77	456019	78
455835	75	455895	76	455955	77	456020	78
455836	75	455896	76	455956	77	456021	78
455837	75	455897	76	455957	77	456022	78
455838	75	455898	76	455958	77	456023	78
455839	75	455899	76	455960	77	456024	78
455840	75	455900	76	455961	77	456025	78
455841	75	455901	76	455962	77	456026	78
455842	75	455902	76	455964	77	456027	78
455843	75	455903	76	455965	77	456028	78
455844	75	455904	76	455966	77	456029	78
455845	75	455905	76	455967	77	456030	78
455846	75	455906	76	455968	77	456031	78
455847	75	455907	76	455969	77	456032	78
455848	75	455908	76	455970	77	456033	78
455849	75	455909	76	455971	77	456034	78
455850	75	455910	76	455972	77	456035	78
455851	75	455911	76	455973	77	456036	78
455852	76	455912	76	455974	77	456037	78
455853	76	455913	76	455976	77	456038	78
455854	76	455914	76	455977	77	456039	78
455855	76	455915	76	455978	77	456040	78
455856	76	455916	76	455979	77	456041	78
455857	76	455917	76	455980	77	456042	78
455858	76	455918	76	455981	77	456043	78
455859	76	455919	76	455982	77	456044	78
455860	76	455920	76	455983	77	456045	78
455861	76	455921	76	455984	77	456047	78
455862	76	455922	76	455985	77	456048	78
455863	76	455923	76	455986	77	456049	78
455864	76	455924	76	455987	77	456050	78
455865	76	455925	76	455988	77	456051	78
455866	76	455926	76	455989	77	456052	78
455867	76	455927	76	455990	77	456054	78
455868	76	455928	76	455992	77	456055	78
455869	76	455929	76	455993	77	456056	78
455870	76	455930	76	455994	77	456057	78
455871	76	455931	76	455995	77	456059	78
455872	76	455932	76	455996	77	456060	78
455873	76	455933	76	455997	77	456061	76
455874	76	455934	76	455998	77	456062	69
455875	76	455935	76	456000	77	456063	69
455876	76	455936	76	456001	77	456064	69
455877	76	455937	76	456002	77	456065	69
455878	76	455938	76	456003	77	456066	69
455879	76	455939	76	456004	77	456067	69
455880	76	455940	76	456005	77	456069	69
455881	76	455941	76	456006	77	456070	69
455882	76	455942	76	456007	77	456071	69
455883	76	455943	76	456008	77	456072	69
455884	76	455944	76	456009	78	456073	69
455885	76	455945	76	456010	78	456074	69
455886	76	455946	77	456011	78	456075	69
455887	76	455947	77	456012	75	456076	69
455888	76	455948	77	456013	75	456077	69
455889	76	455949	77	456014	75	456078	69
455890	76	455950	77	456015	78	456079	69
455891	76	455951	77	456016	78	456080	69
455892	76	455952	77	456017	78	456081	69
455893	76	455953	77	456018	78	456082	69

# PART NUMBER INDEX



Part Number	Page	Part Number	Page	Part Number	Page	Part Number	Page
456083	76	464516	109	464577	109	464645	110
456084	76	464517	109	464578	109	464646	110
456085	76	464518	109	464582	109	464647	110
456402	70	464519	109	464583	109	464648	110
456654	70	464520	109	464585	109	464649	110
456655	70	464521	109	464586	109	464650	110
456656	70	464522	109	464587	109	464651	110
456657	70	464523	109	464588	109	464652	110
456658	70	464524	109	464589	109	464653	110
456659	70	464525	109	464590	109	464654	110
456660	70	464526	109	464591	109	464655	110
456661	70	464527	109	464592	109	464656	110
456662	70	464528	109	464593	109	464657	110
456663	70	464529	109	464594	109	464658	110
456664	70	464530	109	464595	109	464659	110
456665	70	464531	109	464596	109	464660	110
456666	70	464532	109	464597	109	464661	110
456667	70	464533	109	464602	110	464662	110
456668	71	464534	109	464603	110	464663	110
456669	71	464535	109	464604	110	464664	110
456670	71	464536	109	464605	110	464665	110
456671	71	464537	109	464606	110	464666	110
456672	71	464538	109	464607	110	464667	110
456673	71	464539	109	464608	110	464668	110
456674	71	464540	109	464609	110	464669	110
456675	71	464541	109	464610	110	464670	110
456676	71	464542	109	464611	110	464671	110
456677	71	464543	109	464612	110	464672	110
456678	71	464544	109	464613	110	464673	110
456679	71	464545	109	464614	110	464674	110
456680	71	464546	109	464615	110	464675	110
456681	71	464547	109	464616	110	464676	110
456682	71	464548	109	464617	110	464677	110
456683	71	464549	109	464618	110	464678	110
456684	71	464550	109	464619	110	464679	110
456685	71	464552	109	464620	110	464680	110
456686	71	464553	109	464621	110	464681	110
456687	71	464554	109	464622	110	464682	110
456688	71	464555	109	464623	110	464683	110
456689	71	464556	109	464624	110	464684	110
456690	70	464557	109	464625	110	464685	110
456691	70	464558	109	464626	110	464686	110
456692	71	464559	109	464627	110	464687	110
456693	71	464560	109	464628	110	464688	110
456805	75	464561	109	464629	110	464689	110
464501	109	464562	109	464630	110	464690	110
464502	109	464563	109	464631	110	464691	110
464503	109	464564	109	464632	110	464692	110
464504	109	464565	109	464633	110	464693	110
464505	109	464566	109	464634	110	464694	110
464506	109	464567	109	464635	110	464695	110
464507	109	464568	109	464636	110	464696	110
464508	109	464569	109	464637	110	464697	110
464509	109	464570	109	464638	110	464698	110
464510	109	464571	109	464639	110	464699	110
464511	109	464572	109	464640	110	464700	110
464512	109	464573	109	464641	110	464701	110
464513	109	464574	109	464642	110	464702	110
464514	109	464575	109	464643	110	464703	110
464515	109	464576	109	464644	110	464704	110

BUSHINGS & HUBS

SHEAVES

SYNCHRONOUS DRIVES

COUPLINGS

PART NUMBER INDEX

# PART NUMBER INDEX



BUSHINGS & HUBS

SHEAVES

SYNCHRONOUS DRIVES

COUPLINGS

PART NUMBER INDEX

Part Number	Page	Part Number	Page	Part Number	Page	Part Number	Page
464705	110	465303	110	4V250	60	L050U	128
464706	110	465304	110	4V278	60	L050x1/2	130
464707	110	465305	110	BX1	17	L050x1/2KW	130
464708	110	465306	110	BX1-1/2	17	L050x1/4	130
464709	110	465307	110	BX1-1/4	17	L050x1/8KW1/8	130
464710	110	465308	110	BX1-1/8	17	L050x3/8	130
464711	110	465309	110	BX1-1/16	17	L050x3/8KW3/32	130
464712	110	465310	110	BX1/2	17	L050x3/16	130
464713	110	465311	110	BX1-3/4	17	L050x5/8	130
464736	110	465312	110	BX1-3/8	17	L050x5/8NOKW	130
464737	110	465313	110	BX1-3/8KW3/8	17	L050x5/16	130
464738	110	465314	110	BX1-3/16	17	L050x5MM	132
464739	110	465315	110	BX1-5/8	17	L050x6MM	132
464740	110	465316	110	BX1-5/16	17	L050x7/16	130
464741	110	465317	110	BX1-7/8	17	L050x7/16KW3/32	130
464742	110	465318	110	BX1-7/16	17	L050x7MM	132
464743	110	465319	110	BX1-9/16	17	L050x8MM	132
464744	110	465320	110	BX1-11/16	17	L050x9/16	130
464745	110	465321	110	BX1-13/16	17	L050x9/16NOKW	130
464746	110	465322	110	BX1-15/16	17	L050x9MM	132
464747	110	465323	110	BX2	17	L050x10MM	132
464748	110	465324	110	BX2-1/4	17	L050x11MM	132
464749	110	465325	110	BX2-1/8	17	L050x12MM	132
464750	110	465326	110	BX2-1/16	17	L050x14MM	132
464751	110	465327	110	BX2-3/8	17	L050x15MM	132
464752	110	465329	110	BX2-3/16	17	L050x16MM	132
464753	110	465330	110	BX2-5/16	17	L070B	128
464754	110	465331	110	BX2-7/16	17	L070H	128
464755	110	465335	109	BX3/4	17	L070H-HOLE	128
464756	110	465337	110	BX5/8	17	L070N	128
464757	110	465338	110	BX7/8	17	L070U	128
464758	110	660248	148, 149	BX9/16	17	L070U-HOLE	128
464759	110	4V42	60	BX11/16	17	L070x1/2	130
464760	110	4V44	60	BX13/16	17	L070x1/2KW	130
464761	110	4V46	60	BX15/16	17	L070x1/4	130
464762	110	4V48	60	GX1	17	L070x3/4KW	130
464763	110	4V50	60	GX1/2	17	L070x3/4KW1/8	130
464764	110	4V52	60	GX3/4	17	L070x3/4NOKW	130
464765	110	4V54	60	GX3/8	17	L070x3/8	130
464766	110	4V56	60	GX5/8	17	L070x3/8KW1/8	130
464767	110	4V58	60	GX7/8	17	L070x3/8KW3/32	130
464768	110	4V60	60	GX7/16	17	L070x3/16	130
464769	110	4V62	60	GX9/16	17	L070x5/8	130
464770	110	4V64	60	GX11/16	17	L070x5/8KW5/32	130
464771	110	4V66	60	GX13/16	17	L070x5/8NOKW	130
464772	110	4V68	60	GX15/16	17	L070x7/16	130
464773	110	4V70	60	L035N	128	L070x7/16KW1/8	130
464774	110	4V74	60	L035x1/4	130	L070x7/16KW3/32	130
464775	110	4V80	60	L035x1/8	130	L070x7MM	132
464776	110	4V86	60	L035x3/8	130	L070x8MM	132
464777	110	4V90	60	L035x3/16	130	L070x9/16	130
464778	110	4V94	60	L035x4MM	132	L070x9/16NOKW	130
464779	110	4V110	60	L035x5/16	130	L070x9MM	132
464780	110	4V124	60	L035x5MM	132	L070x10MM	132
464781	110	4V136	60	L035x6MM	132	L070x11/16	130
464782	110	4V154	60	L035x7MM	132	L070x11MM	132
464783	110	4V160	60	L035x8MM	132	L070x12mm	132
464784	110	4V184	60	L050B	128	L070x12MM	132
465301	110	4V200	60	L050H	128	L070x14MM	132
465302	110	4V234	60	L050N	128	L070x15MM	132

# PART NUMBER INDEX



Part Number	Page	Part Number	Page	Part Number	Page	Part Number	Page
L070x16MM.....	132	L090x3/4KW1/8.....	130	L095x16MM.....	132	L100x1-3/8KW.....	131
L070x17MM.....	132	L090x3/4NOKW.....	130	L095x17MM.....	132	L100x1-3/16.....	131
L070x18MM.....	132	L090x3/8.....	130	L095x18MM.....	132	L100x1-5/16.....	131
L070x19MM.....	132	L090x3/8KW1/8.....	130	L095x19MM.....	132	L100x1KW13/16.....	131
L075B.....	128	L090x3/8KW3/32.....	130	L095x20MM.....	132	L100x3/4.....	131
L075H.....	128	L090x3/16.....	130	L095x22MM.....	132	L100x3/4KW1/8.....	131
L075H-HOLE.....	128	L090x5/8.....	130	L095x24MM.....	132	L100x3/4NOKW.....	131
L075N.....	128	L090x5/8KW5/32.....	130	L095x25MM.....	132	L100x5/8.....	131
L075N-HOLE.....	128	L090x5/8NOKW.....	130	L095x28MM.....	132	L100x5/8KW5/32.....	131
L075U.....	128	L090x5/16.....	130	L099-100B.....	128	L100x5/8NOKW.....	131
L075U-HOLE.....	128	L090x7/8.....	130	L099-100H.....	128	L100x7/8.....	131
L075x1/2.....	130	L090x7/8KW1/4.....	130	L099-100H-HOLE.....	128	L100x7/8KW1/4.....	131
L075x1/2KW.....	130	L090x7/16.....	130	L099-100N.....	128	L100x7/16.....	131
L075x1/4.....	130	L090x7/16KW1/8.....	130	L099-100N-HOLE.....	128	L100x7/16KW1/8.....	131
L075x1/4KW.....	130	L090x7/16KW3/32.....	130	L099-100U.....	128	L100x7/16KW3/32.....	131
L075x3/4.....	130	L090x8MM.....	132	L099-100U-HOLE.....	128	L100x9/16.....	131
L075x3/4KW1/8.....	130	L090x9/16.....	130	L099x1.....	131	L100x9/16NOKW.....	131
L075x3/4NOKW.....	130	L090x9/16NOKW.....	130	L099x1-1/8.....	131	L100x11/16.....	131
L075x3/8.....	130	L090x10MM.....	132	L099x1-1/16.....	131	L100x12MM-PB.....	133
L075x3/8KW1/8.....	130	L090x11/16.....	130	L099x1/2.....	131	L100x13/16.....	131
L075x3/8KW3/32.....	130	L090x12MM.....	132	L099x1/2KW.....	131	L100x14MM.....	133
L075x3/16.....	130	L090x13/16.....	130	L099x1-3/16.....	131	L100x15/16.....	131
L075x5/8.....	130	L090x14MM.....	132	L099x1KW13/16.....	131	L100x15MM.....	133
L075x5/8KW5/32.....	130	L090x15/16.....	130	L099x3/4.....	131	L100x16MM.....	133
L075x5/8NOKW.....	130	L090x15MM.....	132	L099x3/4KW1/8.....	131	L100x17MM.....	133
L075x5/16.....	130	L090x16MM.....	132	L099x3/4NOKW.....	131	L100x18MM.....	133
L075x7/8.....	130	L090x17MM.....	132	L099x5/8.....	131	L100x19MM.....	133
L075x7/8NOKW.....	130	L090x18MM.....	132	L099x5/8KW5/32.....	131	L100x20MM.....	133
L075x7/16.....	130	L090x19mm.....	132	L099x5/8NOKW.....	131	L100x22MM.....	133
L075x7/16KW1/8.....	130	L090x19MM.....	132	L099x7/8.....	131	L100x24MM.....	133
L075x7/16KW3/32.....	130	L090x20MM.....	132	L099x7/8KW1/4.....	131	L100x25MM.....	133
L075x9/16.....	130	L090x22MM.....	132	L099x7/8NOKW.....	131	L100x28MM.....	133
L075x9/16NOKW.....	130	L090x24MM.....	132	L099x7/16.....	131	L100x30MM.....	133
L075x9MM.....	132	L090x25MM.....	132	L099x7/16KW1/8.....	131	L100x32MM.....	133
L075x10MM.....	132	L095x1.....	130	L099x7/16KW3/32.....	131	L100x35MM.....	133
L075x11/16.....	130	L095x1-1/8.....	130	L099x9/16.....	131	L110B.....	128
L075x11MM.....	132	L095x1-1/16.....	130	L099x9/16NOKW.....	131	L110H.....	128
L075x12MM.....	132	L095x1/2.....	130	L099x11/16.....	131	L110H-HOLE.....	128
L075x13/16.....	130	L095x1/2KW.....	130	L099x13/16.....	131	L110N.....	128
L075x14MM.....	132	L095x1KW13/16.....	130	L099x14MM.....	133	L110N-HOLE.....	128
L075x15MM.....	132	L095x3/4.....	130	L099x14MM-PB.....	133	L110U.....	128
L075x16MM.....	132	L095x3/4KW1/8.....	130	L099x15/16.....	131	L110U-HOLE.....	128
L075x17MM.....	132	L095x3/4NOKW.....	130	L099x15MM.....	133	L110x1.....	131
L075x18MM.....	132	L095x5/8.....	130	L099x16MM.....	133	L110x1-1/2.....	131
L075x19MM.....	132	L095x5/8KW5/32.....	130	L099x18MM.....	133	L110x1-1/2KW.....	131
L075x20MM.....	132	L095x5/8NOKW.....	130	L099x19MM.....	133	L110x1-1/4.....	131
L075x22MM.....	132	L095x7/8.....	130	L099x20MM.....	133	L110x1-1/4KW.....	131
L090-095B.....	128	L095x7/8KW1/4.....	130	L099x22MM.....	133	L110x1-1/8.....	131
L090-095H.....	128	L095x7/16.....	130	L099x24MM.....	133	L110x1-1/16.....	131
L090-095H-HOLE.....	128	L095x7/16KW1/8.....	130	L099x25MM.....	133	L110x1-3/8.....	131
L090-095N.....	128	L095x7/16KW3/32.....	130	L099x28MM.....	133	L110x1-3/8KW.....	131
L090-095N-HOLE.....	128	L095x9/16.....	130	L099x30MM.....	133	L110x1-3/16.....	131
L090-095U.....	128	L095x9/16NOKW.....	130	L100x1.....	131	L110x1-5/8.....	131
L090-095U-HOLE.....	128	L095x11/16.....	130	L100x1-1/4.....	131	L110x1-5/16.....	131
L090x1.....	130	L095x11MM.....	132	L100x1-1/4KW.....	131	L110x1-7/16.....	131
L090x1/2.....	130	L095x12MM.....	132	L100x1-1/8.....	131	L110x1-9/16.....	131
L090x1/2KW.....	130	L095x13/16.....	130	L100x1-1/16.....	131	L110x1KW3/16.....	131
L090x1/4.....	130	L095x14MM.....	132	L100x1/2.....	131	L110x3/4.....	131
L090x1KW3/16.....	130	L095x15/16.....	130	L100x1/2KW.....	131	L110x3/4KW1/8.....	131
L090x3/4.....	130	L095x15MM.....	132	L100x1-3/8.....	131	L110x5/8.....	131

BUSHINGS & HUBS

SHEAVES

SYNCHRONOUS DRIVES

COUPLINGS

PART NUMBER INDEX

# PART NUMBER INDEX



BUSHINGS & HUBS

SHEAVES

SYNCHRONOUS DRIVES

COUPLINGS

PART NUMBER INDEX

Part Number	Page	Part Number	Page	Part Number	Page	Part Number	Page
L110x5/8KW5/32	131	L150x19MM	133	L190x32MM	133	L225x65MM	133
L110x5/8NOKW	131	L150x20MM	133	L190x35MM	133	MA15	34, 35
L110x7/8	131	L150x22MM	133	L190x38MM	133	MA15X1/2	35
L110x7/8KW1/4	131	L150x24MM	133	L190x40MM	133	MA15X5/8	35
L110x11/16	131	L150x25MM	133	L190x42MM	133	MA18	34, 35
L110x13/16	131	L150x28MM	133	L190x45MM	133	MA18X1/2	35
L110x15/16	131	L150x30MM	133	L190x48MM	133	MA18X3/4	35
L110x16MM-PB	133	L150x32mm	133	L190x50MM	133	MA18X5/8	35
L110x17MM	133	L150x32MM	133	L190x55MM	133	MA20	34, 35
L110x18MM	133	L150x35mm	133	L225B	128	MA20X1/2	35
L110x19MM	133	L150x35MM	133	L225H	128	MA20X3/4	35
L110x20MM	133	L150x38MM	133	L225H-HOLE	128	MA20X5/8	35
L110x22MM	133	L150x40MM	133	L225N	128	MA20X7/8	35
L110x24MM	133	L150x42MM	133	L225U	128	MA21	34, 35
L110x25MM	133	L150x45MM	133	L225x1	131	MA21X1/2	35
L110x28MM	133	L150x48MM	133	L225x1-1/2	131	MA21X3/4	35
L110x30MM	133	L150x50MM	133	L225x1-1/2KW	131	MA21X5/8	35
L110x32MM	133	L190B	128	L225x1-1/4	131	MA22	34, 35
L110x35MM	133	L190H	128	L225x1-1/4KW	131	MA22X1/2	35
L110x38MM	133	L190H-HOLE	128	L225x1-1/8	131	MA22X3/4	35
L110x40MM	133	L190N	128	L225x1-1/16	131	MA22X5/8	35
L110x42MM	133	L190U	128	L225x1-3/4	131	MA22X7/8	35
L150B	128	L190x1	131	L225x1-3/4KW	131	MA23	34, 35
L150H	128	L190x1-1/2	131	L225x1-3/8	131	MA23X1	35
L150H-HOLE	128	L190x1-1/2KW	131	L225x1-3/8KW	131	MA23X1/2	35
L150N	128	L190x1-1/4	131	L225x1-3/16	131	MA23X3/4	35
L150U	128	L190x1-1/4KW	131	L225x1-5/8	131	MA23X5/8	35
L150U-HOLE	128	L190x1-1/8	131	L225x1-5/16	131	MA23X7/8	35
L150x1	131	L190x1-1/16	131	L225x1-7/8	131	MA24	34, 35
L150x1-1/2	131	L190x1-3/4	131	L225x1-7/16	131	MA24X1/2	35
L150x1-1/2KW	131	L190x1-3/4KW	131	L225x1-9/16	131	MA24X3/4	35
L150x1-1/4	131	L190x1-3/8	131	L225x1-11/16	131	MA24X5/8	35
L150x1-1/4KW	131	L190x1-3/8KW	131	L225x1-13/16	131	MA25	34, 35
L150x1-1/8	131	L190x1-3/16	131	L225x1-15/16	131	MA25X1	35
L150x1-1/16	131	L190x1-5/8	131	L225x1KW3/16	131	MA25X1-1/8	35
L150x1-3/4	131	L190x1-5/16	131	L225x2	131	MA25X1/2	35
L150x1-3/4KW	131	L190x1-7/8	131	L225x2-1/2	131	MA25X3/4	35
L150x1-3/8	131	L190x1-7/16	131	L225x2-1/4	131	MA25X5/8	35
L150x1-3/8KW	131	L190x1-9/16	131	L225x2-1/8	131	MA25X7/8	35
L150x1-3/16	131	L190x1-11/16	131	L225x2-1/16	131	MA26	34, 35
L150x1-5/8	131	L190x1-13/16	131	L225x2-3/8	131	MA26X1	35
L150x1-5/16	131	L190x1-15/16	131	L225x2-3/16	131	MA26X1/2	35
L150x1-7/8	131	L190x1KW3/16	131	L225x2-5/8	131	MA26X3/4	35
L150x1-7/16	131	L190x2	131	L225x3/4	131	MA26X5/8	35
L150x1-9/16	131	L190x2-1/8	131	L225x3/4NOKW	131	MA26X7/8	35
L150x1-11/16	131	L190x2-1/16	131	L225x7/8	131	MA27	34, 35
L150x1-13/16	131	L190x3/4	131	L225x7/8KW1/4	131	MA27X1	35
L150x1KW3/16	131	L190x3/4KW1/8	131	L225x13/16	131	MA27X1/2	35
L150x3/4	131	L190x3/4NOKW	131	L225x15/16	131	MA27X3/4	35
L150x3/4KW1/8	131	L190x7/8	131	L225x30MM-PB	133	MA27X5/8	35
L150x5/8	131	L190x7/8KW1/4	131	L225x32MM	133	MA27X7/8	35
L150x5/8KW5/32	131	L190x13/16	131	L225x35MM	133	MA28	34, 35
L150x5/8NOKW	131	L190x15/16	131	L225x38MM	133	MA28X1	35
L150x7/8	131	L190x19MM	133	L225x40MM	133	MA28X1-1/8	35
L150x7/8KW1/4	131	L190x19MM-PB	133	L225x42MM	133	MA28X1/2	35
L150x11/16	131	L190x20MM	133	L225x45MM	133	MA28X3/4	35
L150x13/16	131	L190x24MM	133	L225x48MM	133	MA28X5/8	35
L150x15/16	131	L190x25MM	133	L225x50MM	133	MA28X7/8	35
L150x16MM-PB	133	L190x28MM	133	L225x55MM	133	MA30	34, 35
L150x17MM	133	L190x30MM	133	L225x60MM	133	MA30X1	35

# PART NUMBER INDEX



Part Number	Page	Part Number	Page	Part Number	Page	Part Number	Page
MA30X1-1/8	35	MA50X1-3/16	35	MA70X1	35	MA100X5/8	35
MA30X1/2	35	MA50X3/4	35	MA70X1-1/8	35	MA100X7/8	35
MA30X3/4	35	MA50X5/8	35	MA70X1/2	35	MA103	34, 35
MA30X5/8	35	MA50X7/8	35	MA70X1-3/16	35	MA103X1	35
MA30X7/8	35	MA53	34, 35	MA70X3/4	35	MA103X3/4	35
MA33	34, 35	MA53X1	35	MA70X5/8	35	MA103X5/8	35
MA33X1	35	MA53X1-1/8	35	MA70X7/8	35	MA108	34, 35
MA33X1-1/8	35	MA53X1/2	35	MA73	34, 35	MA108X1	35
MA33X1/2	35	MA53X1-3/16	35	MA73X1	35	MA110	34, 35
MA33X3/4	35	MA53X3/4	35	MA73X1-1/4	35	MA110X1	35
MA33X5/8	35	MA53X5/8	35	MA73X1-1/8	35	MA110X3/4	35
MA33X7/8	35	MA53X7/8	35	MA73X1/2	35	MA113	34, 35
MA35	34, 35	MA55	34, 35	MA73X1-3/16	35	MA113X1	35
MA35X1	35	MA55X1	35	MA73X1-7/16	35	MA113X3/4	35
MA35X1-1/8	35	MA55X1-1/8	35	MA73X3/4	35	MA113X7/8	35
MA35X1/2	35	MA55X1/2	35	MA73X5/8	35	MA120	34, 35
MA35X3/4	35	MA55X1-3/16	35	MA73X7/8	35	MA120X1	35
MA35X5/8	35	MA55X3/4	35	MA78	34, 35	MA120X1/2	35
MA35X7/8	35	MA55X5/8	35	MA78X1	35	MA120X3/4	35
MA38	34, 35	MA55X7/8	35	MA78X1-1/8	35	MA120X5/8	35
MA38X1	35	MA55X15/16	35	MA78X3/4	35	MA120X7/8	35
MA38X1-1/8	35	MA58	34, 35	MA78X5/8	35	MA123	34, 35
MA38X1/2	35	MA58X1	35	MA78X7/8	35	MA123X1	35
MA38X3/4	35	MA58X1-1/8	35	MA80	34, 35	MA123X3/4	35
MA38X5/8	35	MA58X1/2	35	MA80X1	35	MA123X5/8	35
MA38X7/8	35	MA58X1-3/16	35	MA80X1-1/4	35	MA133	34, 35
MA40	34, 35	MA58X3/4	35	MA80X1-1/8	35	MA133X1	35
MA40X1	35	MA58X5/8	35	MA80X1/2	35	MA133X3/4	35
MA40X1-1/8	35	MA58X7/8	35	MA80X3/4	35	MA143	34, 35
MA40X1/2	35	MA60	34, 35	MA80X5/8	35	MA143X1	35
MA40X3/4	35	MA60X1	35	MA80X7/8	35	MA143X3/4	35
MA40X5/8	35	MA60X1-1/8	35	MA83	34, 35	MA143X5/8	35
MA40X7/8	35	MA60X1/2	35	MA83X1	35	MA143X7/8	35
MA40X15/16	35	MA60X1-3/16	35	MA83X1-1/8	35	MA153	34, 35
MA43	34, 35	MA60X3/4	35	MA83X1/2	35	MA153X1	35
MA43X1	35	MA60X5/8	35	MA83X1-3/16	35	MA153X1-3/8	35
MA43X1-1/8	35	MA60X7/8	35	MA83X3/4	35	MA153X1-7/16	35
MA43X1/2	35	MA60X15/16	35	MA83X5/8	35	MA153X3/4	35
MA43X3/4	35	MA63	34, 35	MA83X7/8	35	MA153X5/8	35
MA43X5/8	35	MA63X1	35	MA88	34, 35	MA183	34, 35
MA43X7/8	35	MA63X1-1/8	35	MA88X1	35	MA183X1	35
MA45	34, 35	MA63X1/2	35	MA88X1-1/8	35	MA183X1-7/16	35
MA45X1	35	MA63X1-3/16	35	MA88X3/4	35	MA183X3/4	35
MA45X1-1/8	35	MA63X3/4	35	MA90	34, 35	MAL30	42
MA45X1/2	35	MA63X5/8	35	MA90X1	35	MAL32	42
MA45X3/4	35	MA63X7/8	35	MA90X3/4	35	MAL34	42
MA45X5/8	35	MA63X15/16	35	MA90X5/8	35	MAL37	42
MA45X7/8	35	MA65	34, 35	MA93	34, 35	MAL39	42
MA48	34, 35	MA65X1	35	MA93X1	35	MAL42	42
MA48X1	35	MA65X1-1/8	35	MA93X1-1/8	35	MAL44	42
MA48X1-1/8	35	MA65X1/2	35	MA93X1/2	35	MAL47	42
MA48X1/2	35	MA65X3/4	35	MA93X1-3/16	35	MAL49	42
MA48X3/4	35	MA65X5/8	35	MA93X3/4	35	MAL52	42
MA48X5/8	35	MA65X7/8	35	MA93X5/8	35	MAL54	42
MA48X7/8	35	MA68	34, 35	MA98	34, 35	MAL57	42
MA48X15/16	35	MA68X1	35	MA98X1	35	MAL59	42
MA50	34, 35	MA68X1-1/8	35	MA98X3/4	35	MAL62	42
MA50X1	35	MA68X3/4	35	MA100	34, 35	MAL64	42
MA50X1-1/8	35	MA68X5/8	35	MA100X1	35	MAL67	42
MA50X1/2	35	MA70	34, 35	MA100X3/4	35	MAL69	42

BUSHINGS & HUBS

SHEAVES

SYNCHRONOUS DRIVES

COUPLINGS

PART NUMBER INDEX

# PART NUMBER INDEX



BUSHINGS & HUBS

SHEAVES

SYNCHRONOUS DRIVES

COUPLINGS

PART NUMBER INDEX

Part Number	Page	Part Number	Page	Part Number	Page	Part Number	Page
MAL72	42	MB31X3/4	39	MB48X15/16	39	MB70X1-3/16	39
MAL77	42	MB31X5/8	39	MB50	38, 39	MB70X1-7/16	39
MAL82	42	MB31X7/8	39	MB50X1	39	MB70X3/4	39
MAL87	42	MB33	38, 39	MB50X1-1/8	39	MB73	38, 39
MAL92	42	MB33X1	39	MB50X1/2	39	MB73X1	39
MAL97	42	MB33X1-1/8	39	MB50X1-3/16	39	MB73X1-1/8	39
MAL102	42	MB33X1/2	39	MB50X3/4	39	MB73X1-3/16	39
MAL107	42	MB33X3/4	39	MB50X5/8	39	MB73X3/4	39
MAL112	42	MB33X5/8	39	MB50X7/8	39	MB75	38, 39
MAL122	42	MB33X7/8	39	MB53	38, 39	MB75X1	39
MAL132	42	MB34	38, 39	MB53X1	39	MB75X1-1/8	39
MAL142	42	MB34X1	39	MB53X1-1/8	39	MB75X1-3/8	39
MAL152	42	MB34X1-1/8	39	MB53X1/2	39	MB75X3/4	39
MAL182	42	MB34X1/2	39	MB53X1-3/16	39	MB78	38, 39
MB20	38, 39	MB34X3/4	39	MB53X3/4	39	MB78X1	39
MB20X1/2	39	MB34X5/8	39	MB53X5/8	39	MB78X1-1/4	39
MB20X3/4	39	MB34X7/8	39	MB53X7/8	39	MB78X1-1/8	39
MB20X5/8	39	MB35	38, 39	MB55	38, 39	MB78X1-3/8	39
MB23	38, 39	MB35X1	39	MB55X1	39	MB78X1-3/16	39
MB23X1	39	MB35X1-1/8	39	MB55X1-1/4	39	MB78X1-7/16	39
MB23X1/2	39	MB35X1/2	39	MB55X1-1/8	39	MB78X3/4	39
MB23X3/4	39	MB35X3/4	39	MB55X1-3/16	39	MB78X5/8	39
MB23X5/8	39	MB35X5/8	39	MB55X3/4	39	MB78X7/8	39
MB23X7/8	39	MB35X7/8	39	MB55X5/8	39	MB80	38, 39
MB24	38, 39	MB38	38, 39	MB55X7/8	39	MB80X1	39
MB24X1/2	39	MB38X1	39	MB58	38, 39	MB80X1-1/8	39
MB24X3/4	39	MB38X1-1/8	39	MB58X1	39	MB80X3/4	39
MB24X5/8	39	MB38X1/2	39	MB58X1-1/8	39	MB80X7/8	39
MB24X7/8	39	MB38X3/4	39	MB58X1-3/16	39	MB83	38, 39
MB25	38, 39	MB38X5/8	39	MB58X3/4	39	MB83X1	39
MB25X1	39	MB38X7/8	39	MB58X5/8	39	MB83X1-1/8	39
MB25X1-1/8	39	MB40	38, 39	MB58X7/8	39	MB83X1-3/8	39
MB25X1/2	39	MB40X1	39	MB60	38, 39	MB83X1-7/16	39
MB25X3/4	39	MB40X1-1/8	39	MB60X1	39	MB83X3/4	39
MB25X5/8	39	MB40X1/2	39	MB60X1-1/8	39	MB88	38, 39
MB25X7/8	39	MB40X1-3/16	39	MB60X1/2	39	MB88X1	39
MB26	38, 39	MB40X3/4	39	MB60X1-3/16	39	MB88X1-1/8	39
MB26X1	39	MB40X5/8	39	MB60X3/4	39	MB88X1-3/16	39
MB26X1/2	39	MB40X7/8	39	MB60X5/8	39	MB88X1-7/16	39
MB26X3/4	39	MB43	38, 39	MB60X7/8	39	MB88X3/4	39
MB26X5/8	39	MB43X1	39	MB63	38, 39	MB88X5/8	39
MB26X7/8	39	MB43X1-1/8	39	MB63X1	39	MB88X7/8	39
MB28	38, 39	MB43X1/2	39	MB63X1-1/8	39	MB88X15/16	39
MB28X1	39	MB43X3/4	39	MB63X3/4	39	MB90	38, 39
MB28X1-1/8	39	MB43X5/8	39	MB63X5/8	39	MB90X1	39
MB28X1/2	39	MB43X7/8	39	MB65	38, 39	MB90X1-7/16	39
MB28X3/4	39	MB45	38, 39	MB65X1	39	MB90X3/4	39
MB28X5/8	39	MB45X1	39	MB65X1-1/8	39	MB93	38, 39
MB28X7/8	39	MB45X1-1/8	39	MB65X3/4	39	MB93X1	39
MB30	38, 39	MB45X1/2	39	MB65X5/8	39	MB93X1-1/8	39
MB30X1	39	MB45X3/4	39	MB65X7/8	39	MB93X1-3/8	39
MB30X1-1/8	39	MB45X5/8	39	MB68	38, 39	MB93X1-7/16	39
MB30X1/2	39	MB45X7/8	39	MB68X1	39	MB93X3/4	39
MB30X3/4	39	MB48	38, 39	MB68X1-1/8	39	MB98	38, 39
MB30X5/8	39	MB48X1	39	MB68X1-3/16	39	MB98X1	39
MB30X7/8	39	MB48X1-1/8	39	MB68X3/4	39	MB98X1-1/8	39
MB31	38, 39	MB48X1/2	39	MB68X5/8	39	MB98X1-3/16	39
MB31X1	39	MB48X3/4	39	MB70	38, 39	MB98X1-7/16	39
MB31X1-1/8	39	MB48X5/8	39	MB70X1	39	MB98X3/4	39
MB31X1/2	39	MB48X7/8	39	MB70X1-1/8	39	MB98X7/8	39



# PART NUMBER INDEX



Part Number	Page	Part Number	Page	Part Number	Page	Part Number	Page
MB98X15/16	39	MBL35	44	MFAM144	47	P1X1-5/16	17
MB100	38, 39	MBL37	44	MFAM144X1	47	P1X1-7/16	17
MB100X1	39	MBL39	44	MVL25	50	P1X1-9/16	17
MB100X1-1/8	39	MBL42	44	MVL25X1/2	50	P1X1-11/16	17
MB100X1-3/8	39	MBL44	44	MVL25X5/8	50	P1X3/4	17
MB100X1-3/16	39	MBL47	44	MVL30	50	P1X5/8	17
MB100X3/4	39	MBL49	44	MVL30X1/2	50	P1X7/8	17
MB100X5/8	39	MBL52	44	MVL30X5/8	50	P1X9/16	17
MB103	38, 39	MBL54	44	MVL34	50	P1X11/16	17
MB103X1	39	MBL57	44	MVL34X1/2	50	P1X13/16	17
MB108	38, 39	MBL59	44	MVL34X3/4	50	P1X15/16	17
MB108X1	39	MBL62	44	MVL34X5/8	50	P1X21/32	17
MB108X1-1/8	39	MBL64	44	MVL40	50	P1X25/32	17
MB108X1-3/8	39	MBL67	44	MVL40X1/2	50	P1X31/32	17
MB108X1-3/16	39	MBL69	44	MVL40X3/4	50	P2X1	17
MB108X1-7/16	39	MBL72	44	MVL40X5/8	50	P2X1-1/2	17
MB108X3/4	39	MBL74	44	MVL40X7/8	50	P2X1-1/4	17
MB110	38, 39	MBL77	44	MVL44	50	P2X1-1/8	17
MB110X1	39	MBL82	44	MVL44X1/2	50	P2X1-1/16	17
MB110X1-7/16	39	MBL87	44	MVL44X3/4	50	P2X1-3/4	17
MB113	38, 39	MBL92	44	MVL44X5/8	50	P2X1-3/8	17
MB113X1	39	MBL97	44	MVL44X7/8	50	P2X1-3/8KW3/8	17
MB113X1-7/16	39	MBL102	44	MVL44X14MM	50	P2X1-3/16	17
MB113X3/4	39	MBL107	44	MVL44X19MM	50	P2X1-5/8	17
MB118	38, 39	MBL112	44	MVS130	56	P2X1-5/16	17
MB118X1	39	MBL117	44	MVS130X1-1/8	56	P2X1-7/16	17
MB118X1-1/4	39	MBL127	44	MVS130X1-3/8	56	P2X1-9/16	17
MB118X1-3/16	39	MBL137	44	MVS150	56	P2X1-11/16	17
MB118X1-7/16	39	MBL147	44	MVS150X1-1/8	56	P2X3/4	17
MB118X3/4	39	MBL157	44	MVS150X1-3/8	56	P2X7/8	17
MB120	38, 39	MBL187	44	MVS150X1-5/8	56	P2X13/16	17
MB120X1	39	MFAL54	47	MVS170	56	P2X15/16	17
MB120X1-3/16	39	MFAL54X1	47	MVS170X1-1/8	56	Q1X1	17
MB120X1-7/16	39	MFAL54X3/4	47	MVS170X1-3/8	56	Q1X1-1/2	18
MB128	38, 39	MFAL54X5/8	47	MVS170X1-5/8	56	Q1X1-1/4	17
MB128X1	39	MFAL64	47	MVS190	56	Q1X1-1/8	17
MB128X1-1/4	39	MFAL64X1	47	MVS190X1-3/8	56	Q1X1-1/16	17
MB128X1-1/8	39	MFAL64X3/4	47	MVS190X1-5/8	56	Q1X1-3/4	18
MB128X1-3/16	39	MFAL64X5/8	47	MVS190X1-7/8	56	Q1X1-3/8	18
MB128X1-7/16	39	MFAL74	47	MVS210	56	Q1X1-3/8KW3/8	18
MB128X3/4	39	MFAL74X1	47	MVS210X1-3/8	56	Q1X1-3/16	17
MB138	38, 39	MFAL74X3/4	47	MVS210X1-5/8	56	Q1X1-5/8	18
MB138X1	39	MFAL74X5/8	47	MVS210X1-7/8	56	Q1X1-5/16	18
MB138X1-1/8	39	MFAL84	47	MVS210X2-1/8	56	Q1X1-7/8	18
MB138X1-3/16	39	MFAL84X1	47	MVS230	56	Q1X1-7/16	18
MB138X1-7/16	39	MFAL84X3/4	47	MVS230X1-3/8	56	Q1X1-9/16	18
MB138X3/4	39	MFAL84X5/8	47	MVS230X1-5/8	56	Q1X1-11/16	18
MB158	38, 39	MFAL94	47	MVS230X1-7/8	56	Q1X1-13/16	18
MB158X1	39	MFAL94X1	47	MVS230X2-1/8	56	Q1X1-15/16	18
MB158X1-1/4	39	MFAL94X3/4	47	P1X1	17	Q1X2	18
MB158X1-1/8	39	MFAL94X7/8	47	P1X1-1/2	17	Q1X2-1/2	18
MB158X1-3/16	39	MFAL104	47	P1X1-1/4	17	Q1X2-1/4	18
MB158X1-7/16	39	MFAL104X1	47	P1X1-1/8	17	Q1X2-1/8	18
MB188	38, 39	MFAL104X3/4	47	P1X1-1/16	17	Q1X2-1/16	18
MB188X1	39	MFAL114	47	P1X1/2	17	Q1X2-3/8	18
MB188X1-1/4	39	MFAL114X1	47	P1X1-3/4	17	Q1X2-3/16	18
MB188X1-3/16	39	MFAL114X3/4	47	P1X1-3/8	17	Q1X2-5/8	18
MB188X1-7/16	39	MFAL124	47	P1X1-3/8KW3/8	17	Q1X2-5/16	18
MBL31	44	MFAL124X1	47	P1X1-3/16	17	Q1X2-7/16	18
MBL33	44	MFAL124X3/4	47	P1X1-5/8	17	Q1X2-9/16	18

BUSHINGS & HUBS

SHEAVES

SYNCHRONOUS DRIVES

COUPLINGS

PART NUMBER INDEX

# PART NUMBER INDEX



BUSHINGS & HUBS

SHEAVES

SYNCHRONOUS DRIVES

COUPLINGS

PART NUMBER INDEX

Part Number	Page	Part Number	Page	Part Number	Page	Part Number	Page
Q1X2-11/16	18	R1X2-7/16	18				
Q1X3/4	17	R1X2-9/16	18				
Q1X5/8	17	R1X2-11/16	18				
Q1X7/8	17	R1X2-13/16	18				
Q1X13/16	17	R1X2-15/16	18				
Q1X15/16	17	R1X3	18				
Q2X1	18	R1X3-1/2	18				
Q2X1-1/2	18	R1X3-1/4	18				
Q2X1-1/4	18	R1X3-1/8	18				
Q2X1-1/8	18	R1X3-1/16	18				
Q2X1-1/16	18	R1X3-3/4	18				
Q2X1-3/4	18	R1X3-3/8	18				
Q2X1-3/8	18	R1X3-3/16	18				
Q2X1-3/8KW3/8	18	R1X3-5/8	18				
Q2X1-3/16	18	R1X3-7/16	18				
Q2X1-5/8	18	R1X3-11/16	18				
Q2X1-5/16	18	R2X1-1/2	18				
Q2X1-7/8	18	R2X1-3/4	18				
Q2X1-7/16	18	R2X1-3/8	18				
Q2X1-9/16	18	R2X1-5/8	18				
Q2X1-11/16	18	R2X1-7/8	18				
Q2X1-13/16	18	R2X1-7/16	18				
Q2X1-15/16	18	R2X1-9/16	18				
Q2X2	18	R2X1-11/16	18				
Q2X2-1/2	18	R2X1-13/16	18				
Q2X2-1/4	18	R2X1-15/16	18				
Q2X2-1/8	18	R2X2	18				
Q2X2-1/16	18	R2X2-1/2	18				
Q2X2-3/8	18	R2X2-1/4	18				
Q2X2-3/16	18	R2X2-1/8	18				
Q2X2-5/8	18	R2X2-1/16	18				
Q2X2-5/16	18	R2X2-3/4	18				
Q2X2-7/16	18	R2X2-3/8	18				
Q2X2-9/16	18	R2X2-3/16	18				
R1X1-1/2	18	R2X2-5/8	18				
R1X1-1/4	18	R2X2-5/16	18				
R1X1-1/8	18	R2X2-7/8	18				
R1X1-3/4	18	R2X2-7/16	18				
R1X1-3/8	18	R2X2-9/16	18				
R1X1-3/8KW3/8	18	R2X2-11/16	18				
R1X1-3/16	18	R2X2-13/16	18				
R1X1-5/8	18	R2X2-15/16	18				
R1X1-5/16	18	R2X3	18				
R1X1-7/8	18	R2X3-1/2	18				
R1X1-7/16	18	R2X3-1/4	18				
R1X1-9/16	18	R2X3-1/8	18				
R1X1-11/16	18	R2X3-3/8	18				
R1X1-13/16	18	R2X3-3/16	18				
R1X1-15/16	18	R2X3-5/8	18				
R1X2	18	R2X3-7/16	18				
R1X2-1/2	18	VP68	54				
R1X2-1/4	18						
R1X2-1/8	18						
R1X2-1/16	18						
R1X2-3/4	18						
R1X2-3/8	18						
R1X2-3/16	18						
R1X2-5/8	18						
R1X2-5/16	18						
R1X2-7/8	18						

For Additional information and Dodge® Product Manuals on  
Dodge PT Components:

- > contact your local authorized Dodge Distributor
- > contact us at [864.297.4800](tel:864.297.4800)
- > visit us on the web at [www.baldor.com](http://www.baldor.com)

# MISSION

---

Our mission is to be the best (as determined by our customers) marketers, designers and manufacturers of industrial electric motors, drives and mechanical power transmission products

*Taking care of our customers safely*

---



---

P.O. Box 2400, Fort Smith, AR 72902-2400 U.S.A., Ph: (1) 479.646.4711, Fax (1) 479.648.5792, International Fax (1) 479.648.5895

**Baldor•Dodge®**  
6040 Ponders Court, Greenville, SC 29615-4617 U.S.A., Ph: (1) 864.297.4800, Fax: (1) 864.281.2433

[www.baldor.com](http://www.baldor.com)