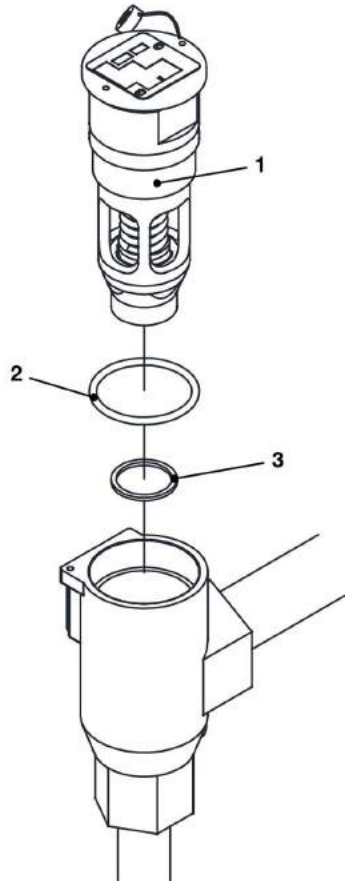


Parts Kit Reference



| CSR & CSRH Parts Kit Reference | | | | | | | | | | | | |
|--------------------------------|--------------------|--------------------|--------|--------|--------|--------|--------|--------|--------|--------|--------|--|
| Item | Description | Kit Description | Kit | | | | | | | | | |
| | | | CSR1 | CSR2 | CSR3 | CSR4 | CSRH1 | CSRH2 | CSRH3 | CSRH4 | CSRH5 | |
| 1 | Cartridge Assembly | Cartridge Assembly | | | | | | | | | | |
| | | 150 psig | 209801 | 209807 | 210193 | 210199 | 209783 | 209789 | 209795 | 210205 | 210210 | |
| | | 200 psig | 209802 | 209808 | 210194 | 210200 | 209784 | 209790 | 209796 | 210206 | 210211 | |
| | | 250 psig | 209803 | 209809 | 210195 | 210201 | 209785 | 209791 | 209797 | 210207 | 210212 | |
| | | 300 psig | 209804 | 209810 | 210196 | 210202 | 209786 | 209792 | 209798 | 210208 | 210213 | |
| 2 | O-Ring | 350 psig | 209805 | 209811 | 210197 | 210203 | 209787 | 209793 | 209799 | 210209 | 210214 | |
| | | 400 psig | 209806 | 209812 | 210198 | 210204 | 209788 | 209794 | 209800 | — | — | |
| 3 | Gasket, Cartridge | | | | | | | | | | | |

For non-standard setting please consult factory for cartridge kit.