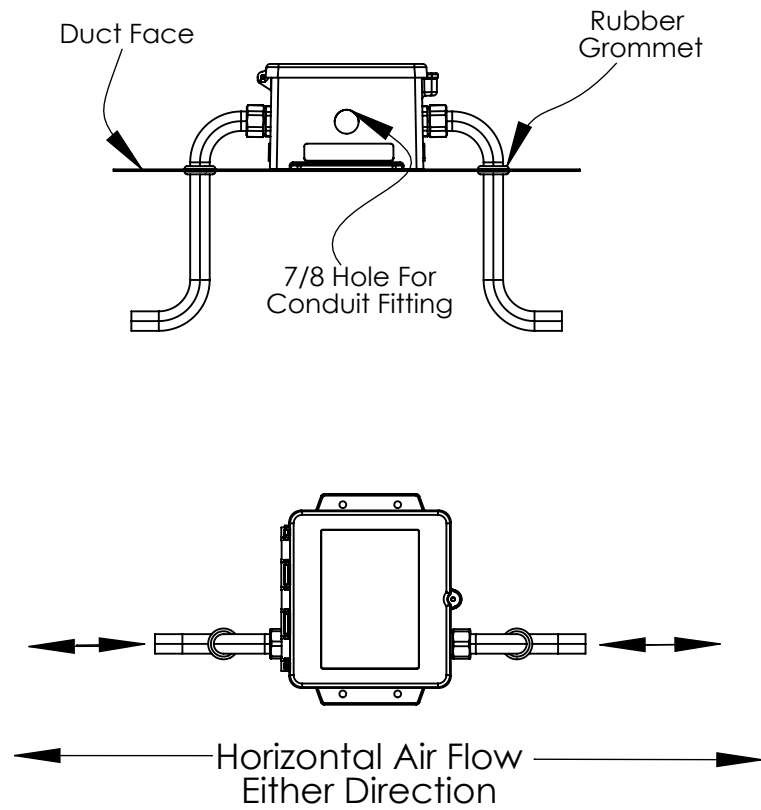
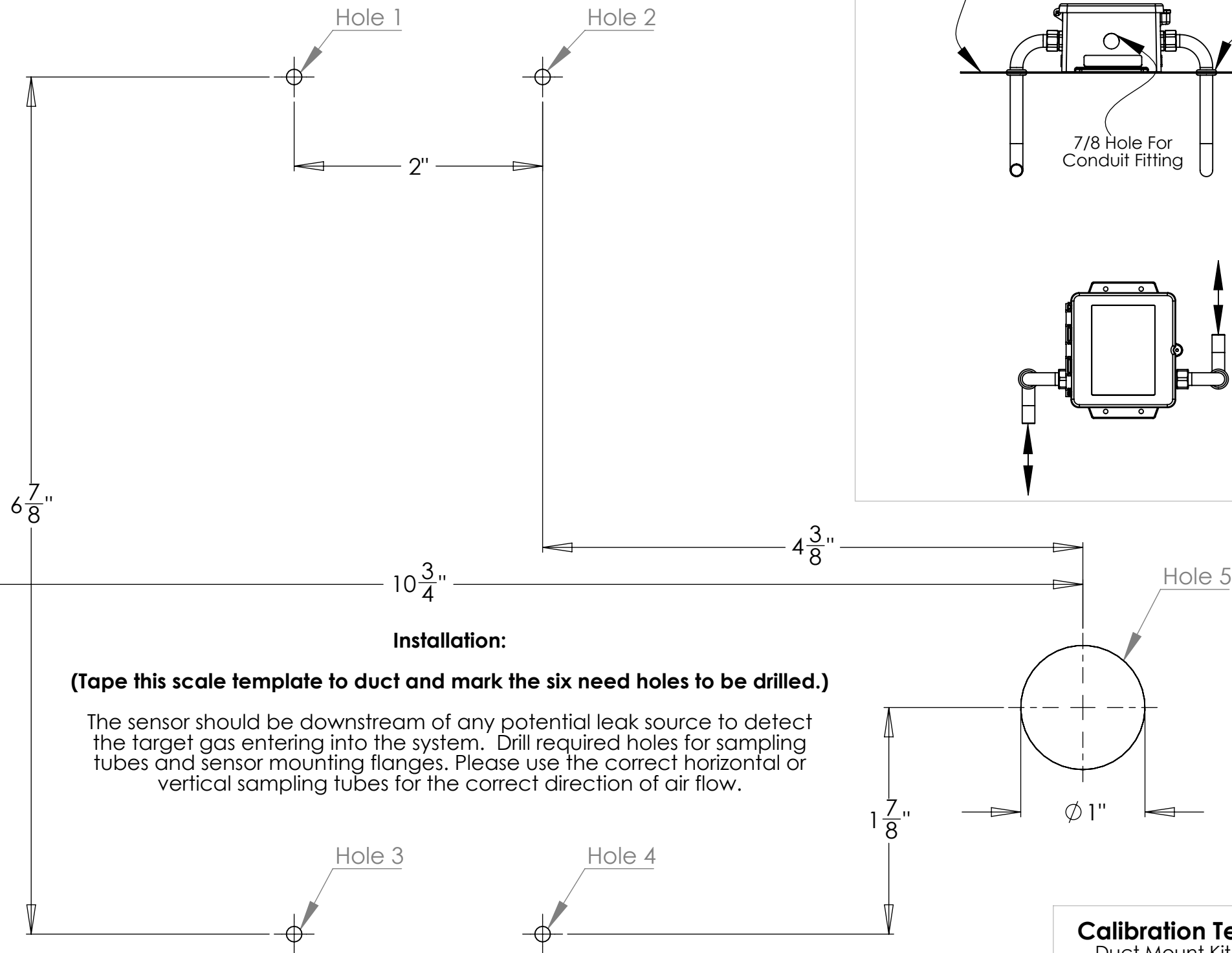
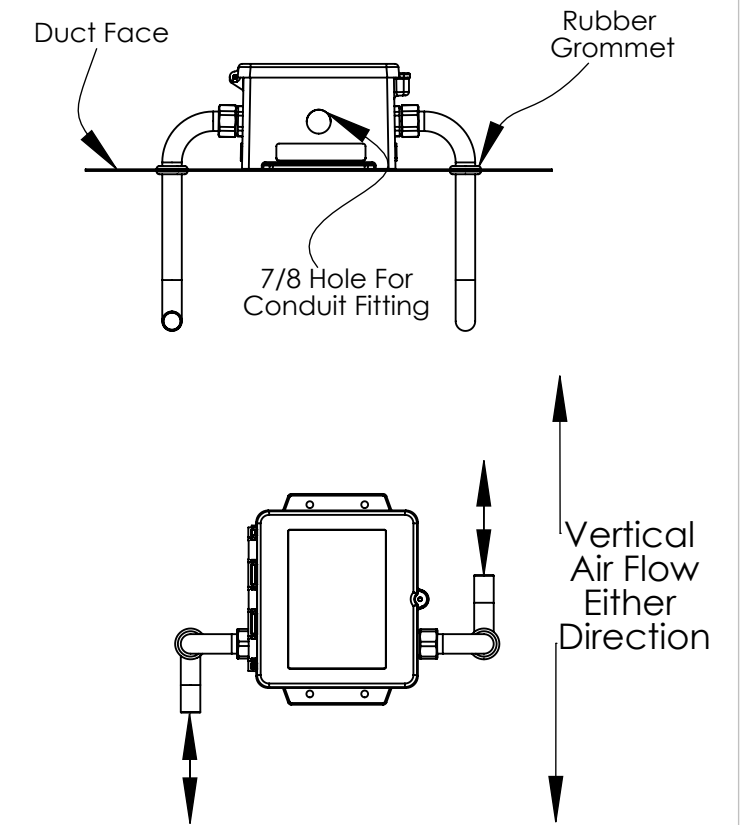


Horizontal Tube Air Flow



Vertical Tube Air Flow



Installation:

(Tape this scale template to duct and mark the six need holes to be drilled.)

The sensor should be downstream of any potential leak source to detect the target gas entering into the system. Drill required holes for sampling tubes and sensor mounting flanges. Please use the correct horizontal or vertical sampling tubes for the correct direction of air flow.

Calibration Technologies Duct Mount Kit Hole Pattern

The GG sensor Duct Mount Kit is designed to detect the presence of the target gas in the airstream of ductwork sections of the HVAC air handling systems

Drawing#:	DMK-DOC1-1	
SCALE 1:1	2016-12-27	SHEET 1 OF 1