



Form S70-400 SPL (JUL 2006)

SERVICE PARTS LIST

File: SERVICE MANUAL - Section 70
Replaces: S70-400 SPL (AUG 2002)
Dist: 3, 3a, 3b, 3c

Service Parts List

RXF

ROTARY SCREW COMPRESSOR UNITS

WITH

QUANTUM™ LX CONTROL

MODELS: RXF 12 through 101



HOW TO USE SERVICE PARTS LIST

This Service Parts List is for standard Frick RFX, Rotary Screw Compressor Units, Models 12—101. Units built with special options, modifications, or conversions are not taken into consideration.

This Service Parts List provides identification for detail parts by Figure and Index Number, Item Number and Description. To determine correct replacement item, locate item on Figure 1, 2, etc., note index number, refer to corresponding index number in parts list for item number and description. Quantity per assembly is located in QTY. column. Unit of measure is always “each” unless specified otherwise in Quantity column. When Ref. is in QTY. column, this means that the Item Number is for information only and is not necessarily a service replacement part. Contact Baltimore Parts Center for more information. REV. (Revision) column tells the level of the engineering drawing used here. The P & I REF. column gives the number of the item as shown on the Piping and Instrumentation drawing.

The Numerical Parts List can be used to locate a specific item in the Service Parts List. Look for the part by Frick Item Number and it will refer you to the Figure and Index Number where it is located.

Abbreviations found in this manual include:

A/R	As Required	SW	Socket Weld
HW	Hand Wheel	TSOC	Thermosyphon Oil Cooler
Ref.....	Reference	WIL	Weld-In-Line
SC	Seal Cap	WCOC	Water Cooled Oil Cooler

The **Unit Data Plate** listing model/serial number etc., is attached to the rear motor mounting bracket, when facing the motor end opposite the coupling.

NOTE: PLEASE PROVIDE FRICK ORDER NUMBER, UNIT MODEL NUMBER, AND UNIT SERIAL NUMBER WHEN REQUESTING A QUOTATION OR PLACING AN ORDER. FAILURE TO INCLUDE THIS INFORMATION MAY DELAY PROCESSING OF YOUR REQUEST.

TABLE OF CONTENTS

HOW TO USE SERVICE PARTS LIST	2
RECOMMENDED SPARE PARTS - CURRENT STANDARD DESIGN.....	3
Figure 1. General Arrangement, Typical, RFX 12—50.....	4
Figure 2. General Arrangement, Typical, RFX 58—101.....	6
Figure 3. Compressor, XJF 95 & 120, RFX 12—50 (XJF 95 Shown).....	8
Figure 4. Compressor, Typical, XJF 151, RFX 58—101.....	10
Figure 5. Oil Separator, Typical, RFX 12—50.....	12
Figure 6. Oil Separator, Typical, RFX 58—101.....	14
Figure 7. Oil Cooler Piping, Typical, RFX 12—50, WCOC Shown.....	18
Figure 8. Plate Oil Cooler Piping, Typical, RFX 12—50.....	22
Figure 9. Plate Oil Cooler Piping, RFX 58—101.....	24
Figure 10. Oil Pump and Piping, Typical, RFX 12—50.....	28
Figure 11. Liquid Injection Piping, Typical.....	32
Figure 12. Piping, Pump & Liquid Injection, RFX 58—101.....	36
Figure 13. Oil Filter, Standard, RFX 58—101.....	38
Figure 14. Dual Oil Filter, Typical, RFX 58—101.....	39
Figure 15. Economizer Kit, Typical.....	40
Figure 16. Transducer Piping Assembly.....	41
Figure 17. Drive Coupling.....	41
Figure 18. 2-1/2—4" Discharge Stop/Check Valve, Current (Danfoss).....	42
Figure 19. Wiring Harness Assembly, RFX 58 — 101.....	44
FRICK FLANGE GASKETS.....	46
FRICK COMPRESSOR OILS.....	46
FRICK BLUE PAINT	46
ADAPTERS - STRAIGHT THREAD TO NPTF	47
Figure 20. Piping and Instrumentation w/o Oil Pump, RFX 12—50.....	48
Figure 21. Piping and Instrumentation w/o Oil Pump, RFX 58—101.....	50
Figure 20. RFX 12—19, XJF 95 Port Locations.....	52
Figure 21. RFX 24—50, XJF 120 Port Locations.....	53
Figure 22. RFX 58—101, XJF 151 Port Locations & O-rings.....	54
Numerical Parts List	55



RECOMMENDED SPARE PARTS - CURRENT STANDARD DESIGN

DESCRIPTION	QTY.	MODEL	ITEM NUMBER
UNIT:			
Sensor, Temperature Probe	1	ALL	639A0151H01
Transducer, Pressure, 0—200 PSIA	1	ALL	913A0124H01
Transducer, Pressure, 0—500 PSIA	1	ALL	913A0124H02
Valve, Solenoid, Yuken 120/60 & 110/50	1	ALL	951A0114H01
Coil For 951A0114H01 Above	2	ALL	951A0114H05
Seal Kit for 951A0114H01 Above	1	ALL	951A0113H20
Valve, Solenoid, 120VAC, w/DIN Connector	1	12—50	951A0095G01
Coil For 951A0095G01	1	12—50	951A0095H01
Coil, Solenoid Valve, 120VAC	1	58—101	951A0054H01
Solenoid Valve	1	ALL	111Q0993344
Linear Transmitter, Short Stroke (Slide Valve Indicator)	1	ALL	534C1552H01
Heater, Oil, 500W, 120VAC	1	12—50	913A0047H01
Heater, Oil, 500W, 120VAC	1	58—101	913A0092G01
Switch, Liquid Level w/2" Reducing Bushing (See Fig. 5)	1	12—50	536A1419H01
Oil Level Sensor	1	58—101	913A0123H11
Filter, Coalescing	1	12—19	531B0065H06
Filter, Demistifier™, Coalescing	1	24—50	531B0099H02
Filter, Demistifier™, Coalescing	1	58—68	531B0099H01
Filter, Demistifier™, Coalescing	2	58—101	531B0099H01
Gasket, Separator Access Cover	1	12—19	959A0090H04
Gasket, Separator Access Cover	1	24—50	959A0090H05
Gasket, Separator Manway	1	58 & 68	531A0105H03
Gasket, Separator Manway	1	85 & 101	531A0105H04
Cartridge, Oil Filter, SuperFilter™ II (Required for 1-2-3 Warranty)	1	12—50	535A0354H02
Element, Filter, Oil, SuperFilter™ II (Required for 1-2-3 Warranty)	1	58—101	531A0224H02
Gasket, for 531A0224H01 above	1	58—101	959A0082H02
Kit, Shaft Seal, XJF 95	1	12—19	111Q0043229
Kit, Shaft Seal, XJF 120	1	24—50	111Q0043231
Kit, Shaft Seal, XJF 151	1	58—101	534M0602G02

Note: This list is based on one unit. When stocking for more than one unit, the quantity should be adjusted to meet your individual requirements.

For help in identifying valves, see Shutoff Valve Identification Guide S160-800 SPL.

For Control Center parts, see Quantum™ LX Maintenance S90-020 M, Recommended Spare Parts List.

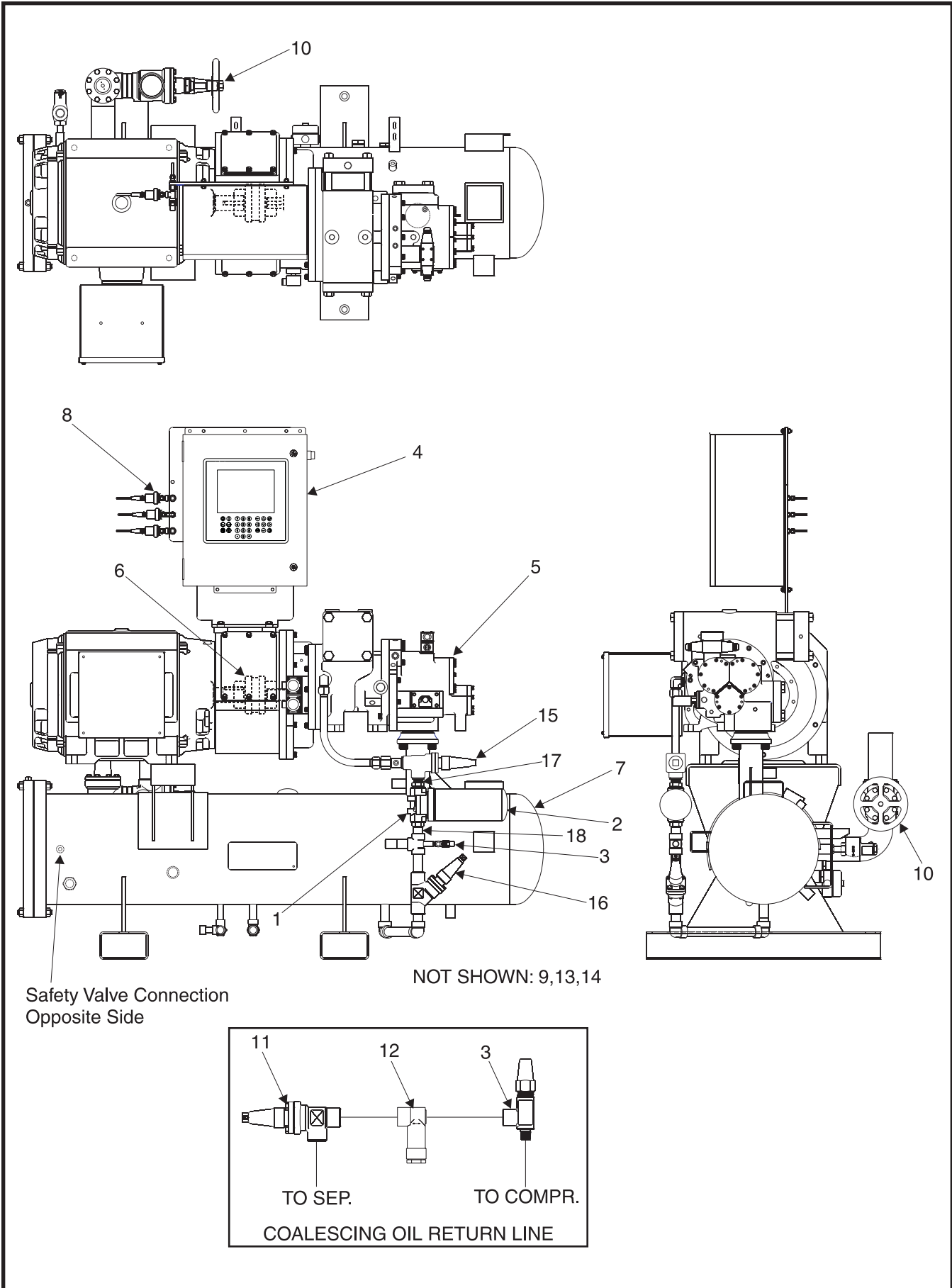


Figure 1. General Arrangement, Typical, RXF 12—50.

FIG. & INDEX	ITEM NUMBER	DESCRIPTION	QTY.	REV.	P & I REF.
1—	535D0316	RXF 12, R-22 & R-717, Screw Compressor Unit	Ref.	M	
	535D0315	RXF 15 & 19, R-22 & R-717, Screw Compressor Unit	Ref.	K	
	535D0246	RXF 24, R-22 & R-717, Screw Compressor Unit	Ref.	Y	
	535D0247	RXF 30 & 39, R-22 & R-717, Screw Compressor Unit	Ref.	W	
	535D0233	RXF 50, R-22 & R-717, Screw Compressor Unit	Ref.	X	
—1	535A0509H01	Head, Oil Filter, 1 5/16-12 UN-2B, Straight Thread, O-ring	1		
—2	535A0354H02	Cartridge, Oil Filter, 4-5/8 x 11-5/8", SuperFilter™ II ⁽¹⁾	1		
—3	950A0292H01	Valve, Angle, Needle, Seal Cap, 1/4" MPT x 1/4" FPT	2		NV
—4	—	Quantum™ LX Control Center ⁽²⁾	1		
—5	—	Screw Compressor (See Figure 3)	1		
—6	—	Drive Coupling (See Figure 17)	1		
—7	—	Oil Separator and Safety Relief Valve (See Figure 5)	Ref.		
—8	—	Transducer Assembly (See Figure 16)	Ref.		
—9	—	Oil Pump Piping (See Figure 10)	Ref.		
—10	—	Valve, Discharge Stop/Check (See Figure 18)	Ref.		
—11	950A0233H01	Valve, Angle, SW, SC, 1/2"	1		
	950A0232H21	Spare Parts Kit, Complete, 1/2"	1		
	950A0232H41	Spare Parts Kit, Cone, 1/2"	1		
	950A0232H31	Spare Parts Kit, Packing Gland, 1/2"	1		
	950A0233H51	Spare Parts Kit, Cap & Bonnet, 1/2"	1		
	950A0233H61	Spare Parts Kit, Seal Cap & Gasket, 1/2"	1		
—12	950A0019H01	Strainer, 1/2" FPT	1		STR
	950A0019H02	Gasket, Flange	1		
	950A0019H03	Gasket, Screen	1		
	950A0019H04	Kit, Screen w/Gasket	1		
—13	639A0151G01	Assembly, Sensor, Temperature ⁽³⁾	1		TE
	639A0151H01	Sensor, Temperature, less Well & DIN	1		
	913A0098H01	Well only	1		
	649A0890H01	DIN Connector (with M3 connection for shielded cable)	1		
	649A0890H11	DIN Gasket	1		
	913A0100H01	Thermal Compound	A/R		
—14	950A0241H07	Valve, WIL, Angle, SC, 2-1/2" Danfoss (See Figure 18)	1		
	950A0241H08	Valve, WIL, Angle, SC, 3" Danfoss (See Figure 18)	1		
	950A0241H09	Valve, WIL, Angle, SC, 4" Danfoss (See Figure 18)	1		
—15	950A0237H02	Valve, Angle, THD, SC, 3/4", Danfoss	1		
	950A0232H21	Spare Parts Kit, Complete, 3/4"	1		
	950A0232H41	Spare Parts Kit, Cone, 3/4"	1		
	950A0232H31	Spare Parts Kit, Packing Gland, 3/4"	1		
	950A0233H51	Spare Parts Kit, Cap & Bonnet, 3/4"	1		
	950A0233H61	Spare Parts Kit, Seal Cap & Gasket, 3/4"	1		
	950A0237H03	Valve, Angle, THD, SC, 1", Danfoss	1		
	950A0232H22	Spare Parts Kit, Complete, 1"	1		
	950A0232H42	Spare Parts Kit, Cone, 1"	1		
	950A0232H32	Spare Parts Kit, Packing Gland, 1"	1		
	950A0233H52	Spare Parts Kit, Cap & Bonnet, 1"	1		
	950A0233H62	Spare Parts Kit, Seal Cap & Gasket, 1"	1		
—16	950A0245H03	Valve, Globe, SW, SC, 1", Danfoss ⁽⁴⁾	1		
	950A0232H22	Spare Parts Kit, Complete, 1"	1		
	950A0232H42	Spare Parts Kit, Cone, 1"	1		
	950A0232H32	Spare Parts Kit, Packing Gland, 1"	1		
	950A0233H52	Spare Parts Kit, Cap & Bonnet, 1"	1		
	950A0233H62	Spare Parts Kit, Seal Cap & Gasket, 1"	1		
—17	944A0246H15	Adapter, 1" FPT x 1" SAE	1		
	980A0012K69	O-ring only	1		
—18	535A0356H01	Bushing, Orifice, O-ring	1		
	980A0012K69	O-ring only	1		

(1) Required for 1-2-3 Warranty

(2) See Quantum LX Maintenance S90-020 M, Recommended Spare Parts

(3) See Figure 5.

(4) Optional Oil Filter Isolation Valve

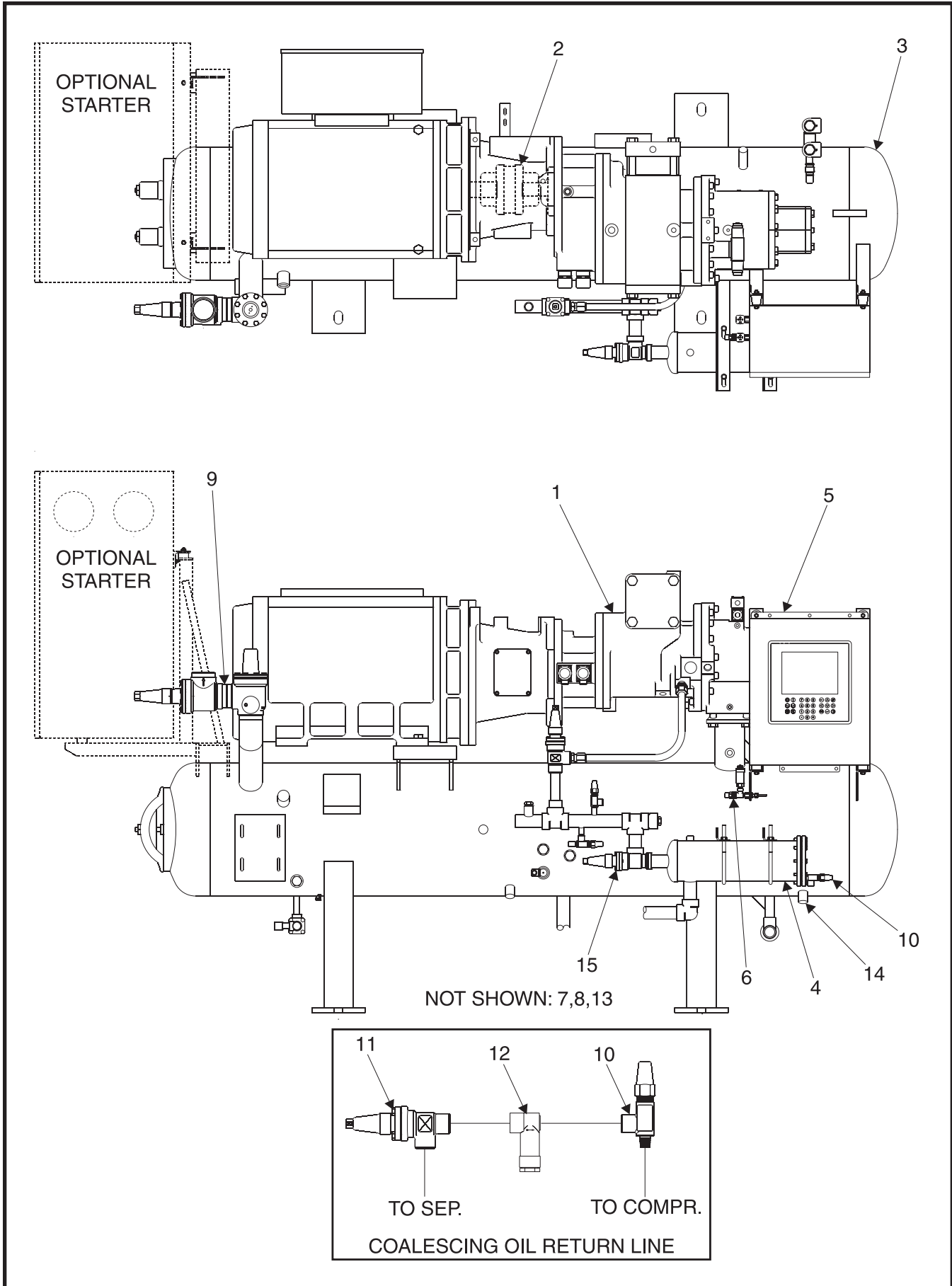
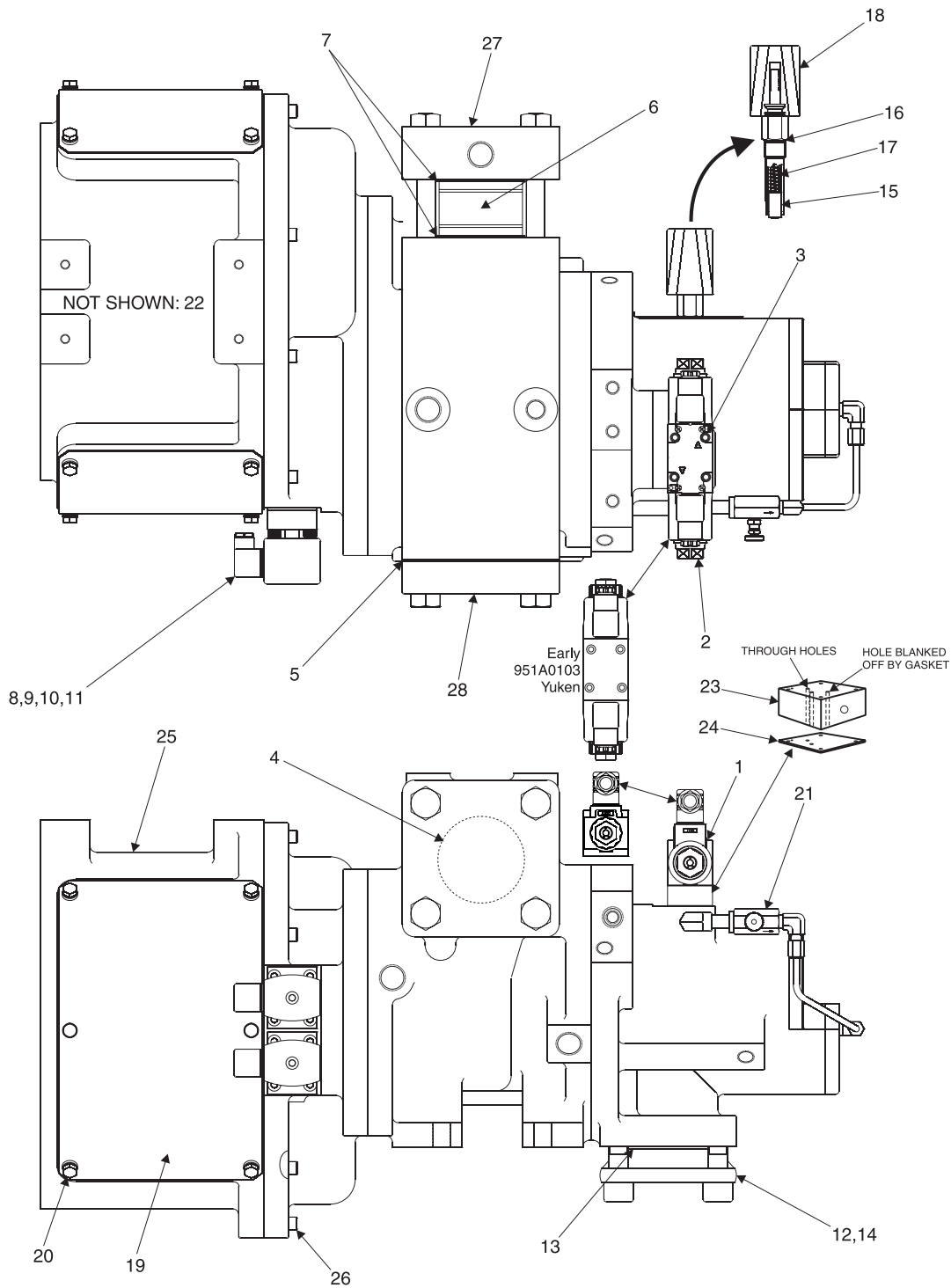


FIG. & INDEX	ITEM NUMBER	DESCRIPTION	QTY.	REV.	P & I REF.
2—	720E0092 720E0091	RXF 58 & 68, R-22 & R-717, Screw Compressor Unit RXF 85 & 101, R-22 & R-717, Screw Compressor Unit	Ref. Ref.	K L	
—1	—	Screw Compressor (See Figure 4)	1		
—2	—	Coupling, Drive (See Figure 17)	1		
—3	—	Oil Separator and Safety Valve (See Figure 6)	1		
—4	—	Oil Filter (See Figure 13)	1		
—5	—	Quantum™ LX Control Center ⁽¹⁾	1		
—6	—	Transducer Assembly (See Figure 16)	Ref.		
—7	—	Oil Pump Piping (See Figure 9)	Ref.		
—8	—	Oil Cooler Piping (See Figure 9)	Ref.		
—9	—	Valve, Discharge Stop/Check (See Figure 18)	1		
—10	950A0292H01	Valve, Angle, Needle, Seal Cap, 1/4" MPT x 1/4" FPT	2		NV
—11	950A0233H03	Valve, Angle, Seal Cap, 1" Danfoss	2		
	950A0232H22	Spare Parts Kit, Complete, 1"	1		
	950A0232H42	Spare Parts Kit, Cone, 1"	1		
	950A0232H32	Spare Parts Kit, Packing Gland, 1"	1		
	950A0233H52	Spare Parts Kit, Cap & Bonnet, 1"	1		
	950A0233H62	Spare Parts Kit, Seal Cap & Gasket, 1"	1		
—12	950A0019H01	Strainer, 1/2" FPT	1		STR
	950A0019H02	Gasket, Flange	1		
	950A0019H03	Gasket, Screen	1		
	950A0019H04	Kit, Screen w/Gasket	1		
—13	950A0241H09	Valve, WIL, Angle, SC, 4", Danfoss (See Fig. 18) ⁽²⁾	1		
	950A0241H10	Valve, WIL, Angle, SC, 5", Danfoss (See Fig. 18) ⁽²⁾	1		
—14	639A0151G01	Assembly, Temperature Sensor	4		TE
	639A0151H01	Sensor, Temperature, less Well	4		
	913A0098H01	Well only	4		
	649A0890H01	DIN Connector	4		
	649A0890H11	DIN Gasket	4		
	913A0100H01	Thermal Compound	A/R		
—15	950A0233H04	Valve, Angle, Seal Cap, 1-1/4", Danfoss	1		
	950A0233H05	Valve, Angle, Seal Cap, 1-1/2", Danfoss	1		
	950A0232H22	Spare Parts Kit, Complete, 1-1/4 & 1-1/2"	1		
	950A0232H42	Spare Parts Kit, Cone, 1-1/4 & 1-1/2"	1		
	950A0232H32	Spare Parts Kit, Packing Gland, 1-1/4 & 1-1/2"	1		
	950A0233H52	Spare Parts Kit, Cap & Bonnet, 1-1/4 & 1-1/2"	1		
	950A0233H62	Spare Parts Kit, Seal Cap & Gasket, 1-1/4 & 1-1/2"	1		

(1) See Quantum LX Maintenance S90-020 M, Recommended Spare Parts

(2) Not shown, shipped loose.



COMPRESSOR PART NUMBERS		
MODEL	NEW	REMANUFACTURED
XJF95S	534E0452G01	534E0452S01
XJF95M	534E0452G02	534E0452S02
XJF95L	534E0452G03	534E0452S03
XJF120S*	534E0305G01	534E0305S01
XJF120M	534E0305G02	534E0305S02
XJF120L	534E0305G03	534E0305S03
XJF120S*	534E0305G04	534E0305S04

* 534E0305G01 is 1800 RPM. 534E0305G04 is 3600 RPM.

Figure 3. Compressor, XJF 95 & 120, RXF 12—50 (XJF 95 Shown).

FIG. & INDEX	ITEM NUMBER	DESCRIPTION	QTY.	REV.	P & I REF.
3—	534E0452	Compressor, XJF95S, M, L, RXF 12—19	Ref.	R	
	534E0305	Compressor, XJF120S, M, L, RXF 24—50	Ref.	AB	
—1	951A0114H01	Valve, Solenoid, 110/50, 120/60, Yuken ⁽¹⁾⁽²⁾	1		
	951A0114H02	Valve, Solenoid, 220/50, 240/60, 240/50, Yuken ⁽¹⁾⁽²⁾	1		
	951A0113H20	Seal Kit, Solenoid Valve, Yuken	1		
—2	951A0114H05	Coil, 120-60, 110-50 ⁽¹⁾⁽²⁾	2		
	951A0114H06	Coil, 240-60, 220-50, 240-50 ⁽¹⁾⁽²⁾	2		
—3	901A0234H20	Capscrew, Socket Head, M5 x 80mm ⁽¹⁾⁽²⁾	4		
—4	534C0428G01	Strainer, Suction, RXF 12—19	1		
	534C0408G01	Strainer, Suction, RXF 24—50	1		
—5	959A0054H08	Gasket, Flange, RXF 12—19	1		
	959A0054H10	Gasket, Flange, RXF 24—50	1		
—6	956A0051H01	Valve, Check, 2 1/2, ANSI Class 125, RXF 12 ⁽¹⁾	1		
	956A0051H02	Valve, Check, 3, ANSI Class 125, RXF 15—24 ⁽¹⁾	1		
	956A0051H03	Valve, Check, 4, ANSI Class 125, RXF 30—50 ⁽¹⁾	1		
—7	959A0054H07	Gasket, Flange, RXF 12—15	2		
	959A0054H08	Gasket, Flange, RXF 19—24	2		
	959A0054H10	Gasket, Flange, RXF 30—50	2		
—8	951A0095G01	Solenoid Valve, 110-120VAC w/DIN Connector	2		
	951A0095G02	Solenoid Valve, 208-240VAC w/DIN Connector	2		
	951A0095H01	Coil, Solenoid Valve, 110-120VAC	2		
	951A0095H02	Coil, Solenoid Valve, 208-240VAC	2		
	649A0890H01	DIN Connector (Gasket 649A0890H11)	2		
—9	111Q0993344	Valve, Solenoid	2		
—10	534A0171H01	Gasket, Solenoid Valve, 12—19	2		
	534A0154H01	Gasket, Solenoid Valve, 24—50	2		
—11	901A0085H19	Capscrew, Socket Head, M8 x 30mm	8		
—12	944A0358H04	Flange, Socket Weld, RXF 12—19	1		
	944A0358H05	Flange, Socket Weld, RXF 24—50	1		
—13	959A0057H06	Gasket, Flange, RXF 12—19	1		
	959A0057H18	Gasket, Flange, RXF 24—50	1		
—14	111Q0740772	Capscrew, Socket Head, (M20 x 2.5) x 75mm, RXF 12—19	4		
	111Q0740741	Capscrew, Socket Head, (M20 x 2.5) x 60mm, RXF 24—50	4		
—15	534B0986H01	Rod, Indicator, RXF 12—19	1		
	534B0987H01	Rod, Indicator, RXF 24—50	1		
—16	980A0012K62	O-ring	1		
—17	534A0883H01	Spring, Compression	1		
—18	534C1552H01	Linear Transmitter, Short Stroke (Slide Valve Indicator)	1		
—19	534C1011H01	Cover, Access, RXF 12—19	2		
	534C0660H01	Cover, Access, RXF 24—50	2		
	534C0709H01	Gasket, Cover Plate, RXF 24—50	2		
—20	901A0085H04	Capscrew, Socket Head, (M8x1.25) x 20mm, RXF 12—19	12		
	333Q0000738	Washer, Flat, RXF 12—19	12		
	534A0506H01	Grommet, RXF 12—19	12		
	111Q0740740	Capscrew, Socket Head, (M12x1.75) x 30mm, RXF 24—50	12		
—21	950A0292H01	Valve, Angle, Needle, Seal Cap, 1/4" MPT x 1/4" FPT	1		NV
—22	111Q0043229	Kit, Shaft Seal, XJF 95 (Contains Shaft Seal Tool)	1		
	111Q0043231	Kit, Shaft Seal, XJF 120 (Contains Shaft Seal Tool)	1		
—23	534B1088H01	Subplate, Yuken Valve	1		
—24	534B1092H01	Gasket, Subplate	1		
—25	534E0437C01	Support, Motor, 95 (tunnel), RXF 12—19	1		
	534E0273C01	Support, Motor, 120 (tunnel), RXF 24—50	1		
—26	901A0089H01	Capscrew, Socket Head, (M12x1.75) x 45mm, RXF 12—50	6		
—27	534C1868H01	Flange, Suction, 2-1/2", RXF 12—15 (XJF 95S & 95M)	1		
	534C1872H01	Flange, Suction, 3", RXF 19 (XJF 95L)	1		
	534C1870H01	Flange, Suction, 3", RXF 24 (XJF 120S)	1		
	534C1874H01	Flange, Suction, 4", RXF 30—50 (XJF 120 M & 120L)	1		
—28	534D0349C01	Flange, Blank	1		

(1) Index numbers 1, 2, 3, and 6 are not supplied with replacement compressors.

(2) 951A0114 Yuken Valve replaces earlier 951A0103 Yuken Valve for service. Coils do not interchange and Seal Kit is different.

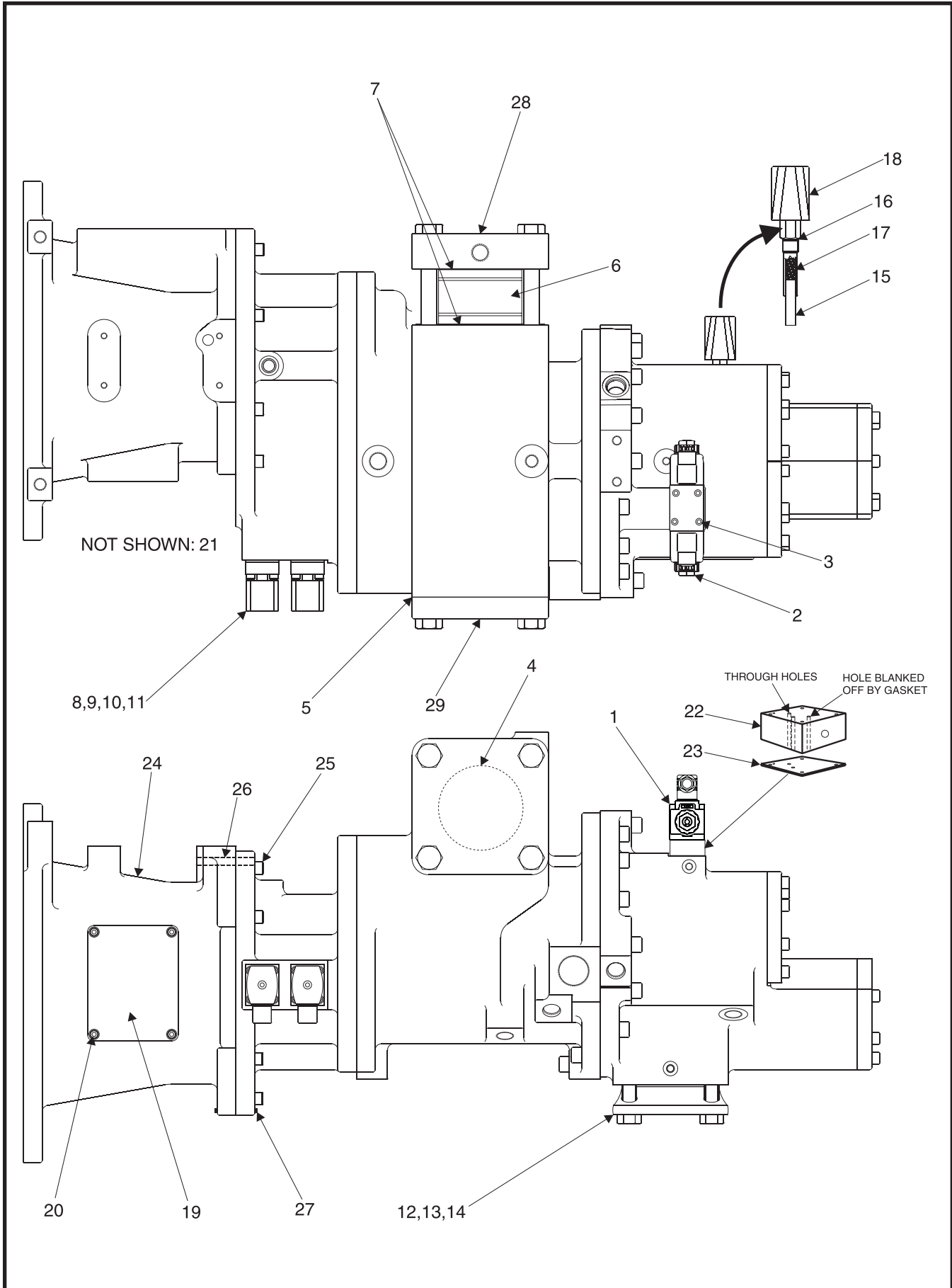


Figure 4. Compressor, Typical, XJF 151, RFX 58—101.

FIG. & INDEX	ITEM NUMBER	DESCRIPTION	QTY.	REV.	P & I REF.
4—	534E0533G01	Compressor, New, XJF 151A, RXF 58	Ref.	AA	
	534E0533S01	Compressor, Remanufactured, XJF 151A, RXF 58	Ref.		
	534E0533G02	Compressor, New, XJF 151M, RXF 68	Ref.	AA	
	534E0533S02	Compressor, Remanufactured, XJF 151M, RXF 68	Ref.		
	534E0533G03	Compressor, New, XJF 151L, RXF 85	Ref.	AA	
	534E0533S03	Compressor, Remanufactured, XJF 151L, RXF 85	Ref.		
	534E0533G04	Compressor, New, XJF 151N, RXF 101	Ref.	AA	
	534E0533S04	Compressor, Remanufactured, XJF 151N, RXF 101	Ref.		
—1	951A0103H01	Valve, Solenoid, 110/50, 120/60, Yuken ⁽¹⁾	1		
	951A0103H02	Valve, Solenoid, 220/50, 240/60, 240/50, Yuken ⁽¹⁾	1		
	951A0102H20	Seal Kit, Solenoid Valve, Yuken	1		
—2	951A0103H05	Coil, 120-60, 110-50 ⁽¹⁾	2		
	951A0103H06	Coil, 240-60, 220-50, 240-50 ⁽¹⁾	2		
—3	901A0234H20	Capscrew, Socket Head, M5 x 80mm ⁽¹⁾	4		
—4	534B0527H01	Strainer, Suction	1		
—5	980A0012B91	O-ring, Suction Flange	1		
—6	956A0051H04	Valve, Check, 5", ANSI Class 125, RXF 58—101 ⁽¹⁾	1		
—7	959A0044H11	Gasket, Check Valve and Suction Flange	2		
—8	951A0054H01	Coil, Solenoid Valve, 110-120 VAC	2		
	951A0054H03	Coil, Solenoid Valve, 220-240 VAC	2		
	649A0890H01	DIN Connector (Gasket 649A0890H11)	2		
—9	111Q0993344	Valve, Solenoid	2		
—10	534A0565H01	Gasket, Solenoid Valve	2		
—11	901A0085H19	Capscrew, Socket Head, M8 x 30	8		
—12	959A0057H09	Gasket	1		
—13	944A0296H08	Flange, Socket Weld, 4"	1		
—14	111Q0740781	Capscrew, Hex Head, M22 x 60mm	4		
—15	534B1023H01	Rod, Indicator	1		
—16	980A0012K62	O-ring	1		
—17	534A0883H01	Spring, Compression	1		
—18	534C1552H01	Linear Transmitter, Short Stroke (Slide Valve Indicator)	1		
—19	534A0566H01	Plate, Cover, Near Side	1		
	534A0567H01	Plate, Cover, Far Side	1		
—20	901A0085H04	Capscrew, Socket Head, (M8x1.25) x 20mm	8		
	534A0506H01	Grommet	8		
	333Q0000738	Washer, Flat, M8	8		
—21	534M0602G02	Kit, Shaft Seal	1		
—22	534B1088H01	Subplate, Yuken Valve	1		
—23	534B1092H01	Gasket, Subplate	1		
—24	534E0521C01	Support, Motor (tunnel), 151, RXF 58—101	1		
—25	111Q0740737	Capscrew, (M16x2.0) x 50mm	8		
—26	534B0149H01	Pin, Dowel	1		
—27	534B0151H01	Pin, Dowel	1		
—28	534C1875H01	Flange, Suction, 5"	1		
—29	534C1062C01	Flange, Blank	1		

(1) Replacement solenoid valves include coils. Index numbers 1, 2, 3, and 6 are not supplied with replacement compressors.

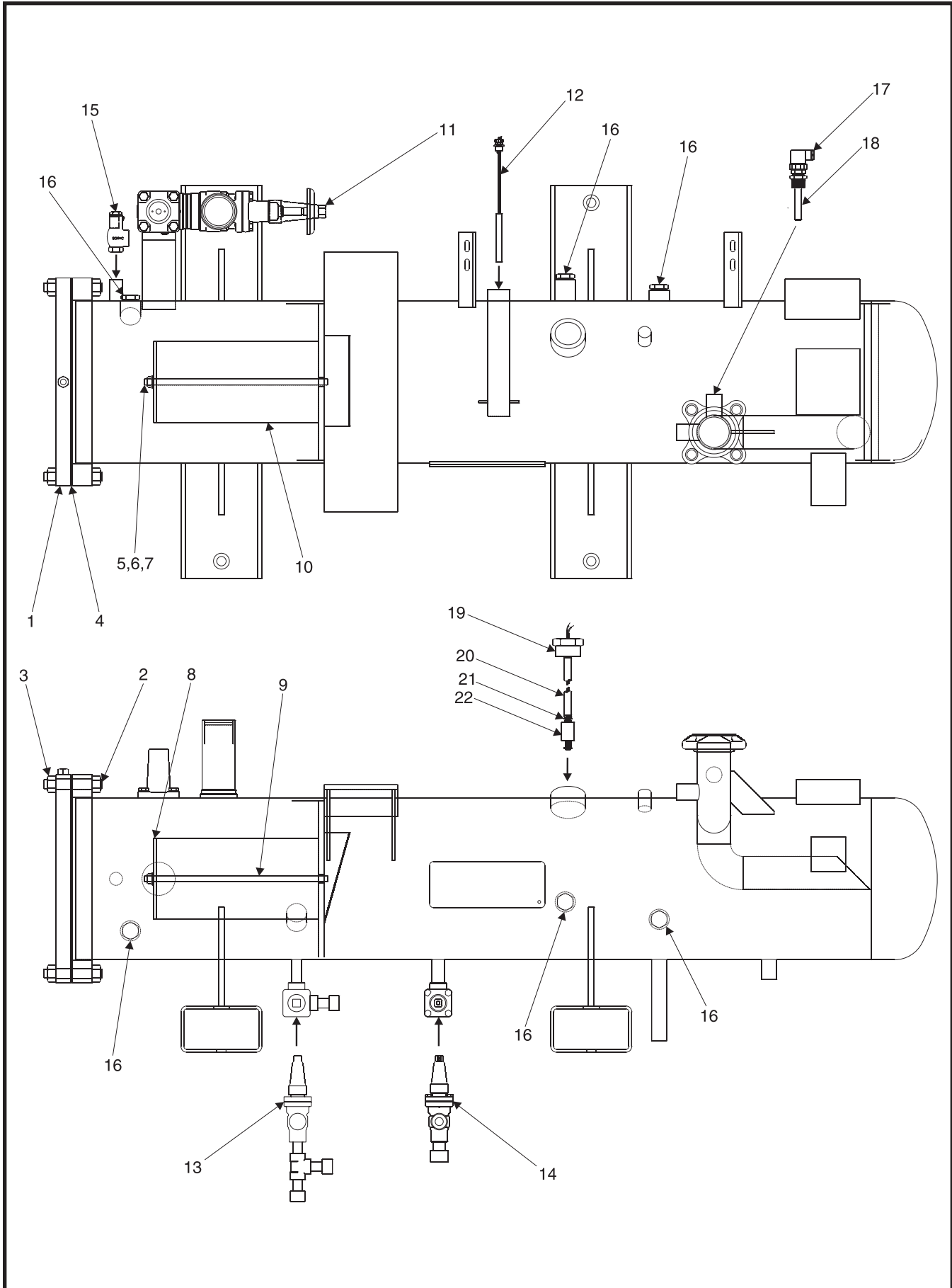


Figure 5. Oil Separator, Typical, RFX 12—50.

FIG. & INDEX	ITEM NUMBER	DESCRIPTION	QTY.	REV.	P & I REF.
5—	548E0378	Oil Separator, 14 x 76-1/4", RXF 12—19	Ref.	D	
	548E0379	Oil Separator, 16 x 76-11/16", RXF 24—39	Ref.	D	
	548E0380	Oil Separator, 16 x 76-11/16", RXF 50	Ref.	D	
—1	548C0509H04	Cover, 14", RXF 12—19	1		
	548C0509H05	Cover, 16", RXF 24—50	1		
—2	901A0099H07	Stud, 14", Cover, 3/4NC x 5-1/2"	12		
—3	902A0021H02	Nut, Hi-Tensile, 3/4" UNC	24		
—4	959A0090H04	Gasket, 14" Cover, RXF 12—19	1		
	959A0090H05	Gasket, 16" Cover, RXF 24—50	1		
—5	902A0021H01	Nut, High Tensile, 1/2" UNC	2		
—6	905A0012H05	Washer, 1/2"	1		
—7	540D0217H06	Seal	1		
—8	548C0150G02	Plate, End, RXF 12—19	1		
	540D0217G02	Plate, End, RXF 24—50	1		
—9	548C0147G02	Stud, Filter, RXF 12—19	1		
	548A0068G01	Stud, Filter, RXF 24—50	1		
—10	531B0065H06	Element, RXF 12—19	1		
	531B0099H02	Element, Demistifier™, RXF 24—50	1		
—11	—	Valve, Discharge Stop/Check, 2.5", 12—19 (See Fig. 18)	1		
	—	Valve, Discharge Stop/Check, 3", 24—50 (See Fig. 18)	1		
—12	913A0047H01	Heater, Oil, 500W, 120VAC	1		HTR
	913A0047H02	Heater, Oil, 1000W, 120VAC	1		HTR
	913A0047H03	Heater, Oil, 500W, 240VAC	1		HTR
	913A0047H04	Heater, Oil, 1000W, 240VAC	1		HTR
—13	950A0233H01	Valve, Angle, SW, SC, 1/2"	1		
	950A0232H21	Spare Parts Kit, Complete, 1/2"	1		
	950A0232H41	Spare Parts Kit, Cone, 1/2"	1		
	950A0232H31	Spare Parts Kit, Packing Gland, 1/2"	1		
	950A0233H51	Spare Parts Kit, Cap & Bonnet, 1/2"	1		
	950A0233H61	Spare Parts Kit, Seal Cap & Gasket, 1/2"	1		
—14	950A0233H02	Valve, Angle, SW, SC, 3/4"	1		
	950A0232H21	Spare Parts Kit, Complete, 3/4"	1		
	950A0232H41	Spare Parts Kit, Cone, 3/4"	1		
	950A0232H31	Spare Parts Kit, Packing Gland, 3/4"	1		
	950A0233H51	Spare Parts Kit, Cap & Bonnet, 3/4"	1		
	950A0233H61	Spare Parts Kit, Seal Cap & Gasket, 3/4"	1		
—15	952A0051H10	Valve, Safety, 1/2" 300#	1		PSV
	952A0052H10	Valve, Safety, 3/4" 300#	1		PSV
—16	947A0003H04	Sight Glass, 1"	3		
—17	639A0151G01	Assembly, Sensor, Temperature	4		TE
	639A0151H01	Sensor, Temperature (Less DIN Connector)	4		
	649A0890H01	Connector, DIN (with M3 connection for shielded cable)	4		
	649A0890H11	Gasket, DIN	4		
	913A0100H01	Thermal Compound, Temperature Sensor	A/R		
—18	913A0098H01	Well, Temperature Sensor	4		
	720A0013	Liquid Level Float Switch Assembly	Ref.		
—19	535A0015H01	Bushing, Reducing, 2" NPT x 3/8-18 ⁽¹⁾	1		
—20	535A0181H09	Rod, Extension, RXF 12—19	1		
	535A0181H10	Rod, Extension, RXF 24—50	1		
—21	944A0010H01	Bushing	1		
—22	536A1419H01	Switch, Liquid Level Float ⁽¹⁾	1		

1. If item 5-19 is the earlier 535A0123H01-1" NPT, then 5-22 will be switch 913A0086H02 w/splash shield.

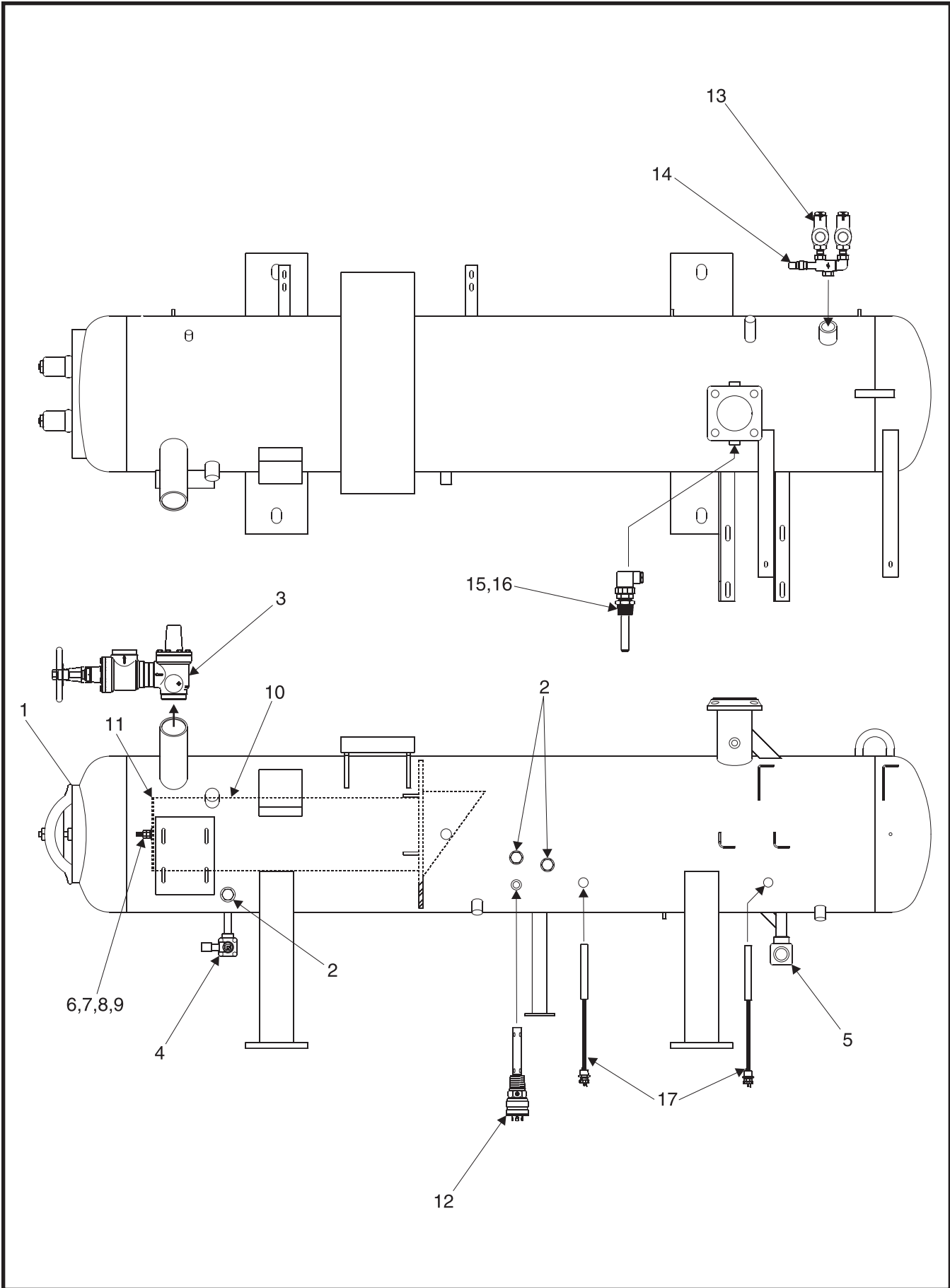


Figure 6. Oil Separator, Typical, RFX 58—101.

FIG. & INDEX	ITEM NUMBER	DESCRIPTION	QTY.	REV.	P & I REF.
6—	548E0373 548E0372	Oil Separator, 20 x 107-11/16", RXF 58 & 68 Oil Separator, 24 x 112-15/16", RXF 85 & 101	Ref. Ref.	L L	
—1	531A0105H03 531A0105H04	Gasket, Manway, RXF 58 & 68 Gasket, Manway, RXF 85 & 101	1 1		
—2	947A0003H04	Sight Glass, 1"	3		
—3	582C0029 582C0030	Valve, Disch., Stop/Check, 3", RXF 58 & 68 (Fig. 18) Valve, Disch., Stop/Check, 4", RXF 85 & 101 (Fig. 18)	Ref. Ref.		
—4	950A0233H01 950A0232H21 950A0232H41 950A0232H31 950A0233H51 950A0233H61	Valve, Angle, SW, SC, 1/2", Danfoss Spare Parts Kit, Complete, 1/2" Spare Parts Kit, Cone, 1/2" Spare Parts Kit, Packing Gland, 1/2" Spare Parts Kit, Cap & Bonnet, 1/2" Spare Parts Kit, Seal Cap & Gasket, 1/2"	1 1 1 1 1 1		
—5	950A0233H03 950A0232H22 950A0232H42 950A0232H32 950A0233H52 950A0233H62	Valve, Angle, SW, SC, 1", Danfoss Spare Parts Kit, Complete, 1" Spare Parts Kit, Cone, 1" Spare Parts Kit, Packing Gland, 1" Spare Parts Kit, Cap & Bonnet, 1" Spare Parts Kit, Seal Cap & Gasket, 1"	1 1 1 1 1 1		
—6	905A0012H05 905A0012H05	Washer, 1/2", RXF 58 & 68 Washer, 1/2", RXF 85 & 101	1 2		
—7	540D0217H06 540D0217H06	Seal Washer, RXF 58 & 68 Seal Washer, RXF 85 & 101	1 2		
—8	902A0021H01 902A0021H01	Nut, Hi-Tensile, 1/2", RXF 58 & 68 Nut, Hi-Tensile, 1/2", RXF 85 & 101	2 4		
—9	540D0217G03 540D0217G03	Rod, Threaded, 1/2-13NC x 42-3/4", RXF 58 & 68 Rod, Threaded, 1/2-13NC x 42-3/4", RXF 85 & 101	1 2		
—10	531B0099H01 531B0099H01	Element, Demistifier™, RXF 58 & 68 Element, Demistifier™, RXF 85 & 101	1 2		
—11	540D0217G02 540D0217G02	Plate, End Assembly, RXF 58 & 68 Plate, End Assembly, RXF 85 & 101	1 2		
—12	913A0123H01 913A0123H11 649A0890H01 649A0890H11 580C0424 580C0425 580C0426 580C0404	Assembly, Oil Level Sensor (less DIN Connector) Sensor, Oil Level, less probe Connector, DIN (not shown) Gasket, DIN Assembly, Dual Safety Valve 813, 1/2", 300 PSIG Assembly, Dual Safety Valve 814, 3/4", 300 PSIG Assembly, Dual Safety Valve 815, 1", 300 PSIG Assembly, Dual Safety Valve 851, 300 PSIG	1 1 1 1 Ref. Ref. Ref. Ref.		PSV PSV PSV PSV
—13	952A0051H10 952A0052H10 952A0053H09 952A0055H07	Valve, Safety Relief 813, 1/2" FPT in x 1" FPT out Valve, Safety Relief 814, 3/4" FPT in x 1 1/4" FPT out Valve, Safety Relief 815, 1" FPT in x 1 1/2" FPT out Valve, Safety Relief 851, 1" MPT in x 2" MPT out	2 2 2 2		
—14	955B0005H01 955B0005H02 955B0005H03	Valve, Shutoff, Three-way, 1/2" Valve, Shutoff, Three-way, 3/4" Valve, Shutoff, Three-way, 1"	1 1 1		
—15	639A0151H01 649A0890H01 649A0890H11 913A0100H01	Sensor, Temperature (Less DIN Connector) Connector, DIN Gasket, DIN Thermal Compound, Temperature Sensor	4 4 4 A/R		TE

RXF ROTARY SCREW COMPRESSOR UNIT
SERVICE PARTS LIST



FIG. & INDEX	ITEM NUMBER	DESCRIPTION	QTY.	REV.	P & I REF.
6—	—	Oil Separator, RXF 58 — 101 Continued	Ref.		
—16	913A0098H01	Well, Temperature Sensor	4		
—17	913A0092G01	Heater, Oil, 500W, 120VAC, w/DIN	2		HTR
	913A0092G02	Heater, Oil, 1000W, 120VAC, w/DIN	2		HTR
	913A0092G03	Heater, Oil, 500W, 240VAC, w/DIN	2		HTR
	913A0092G04	Heater, Oil, 1000W, 240VAC, w/DIN	2		HTR



This page left blank intentionally.

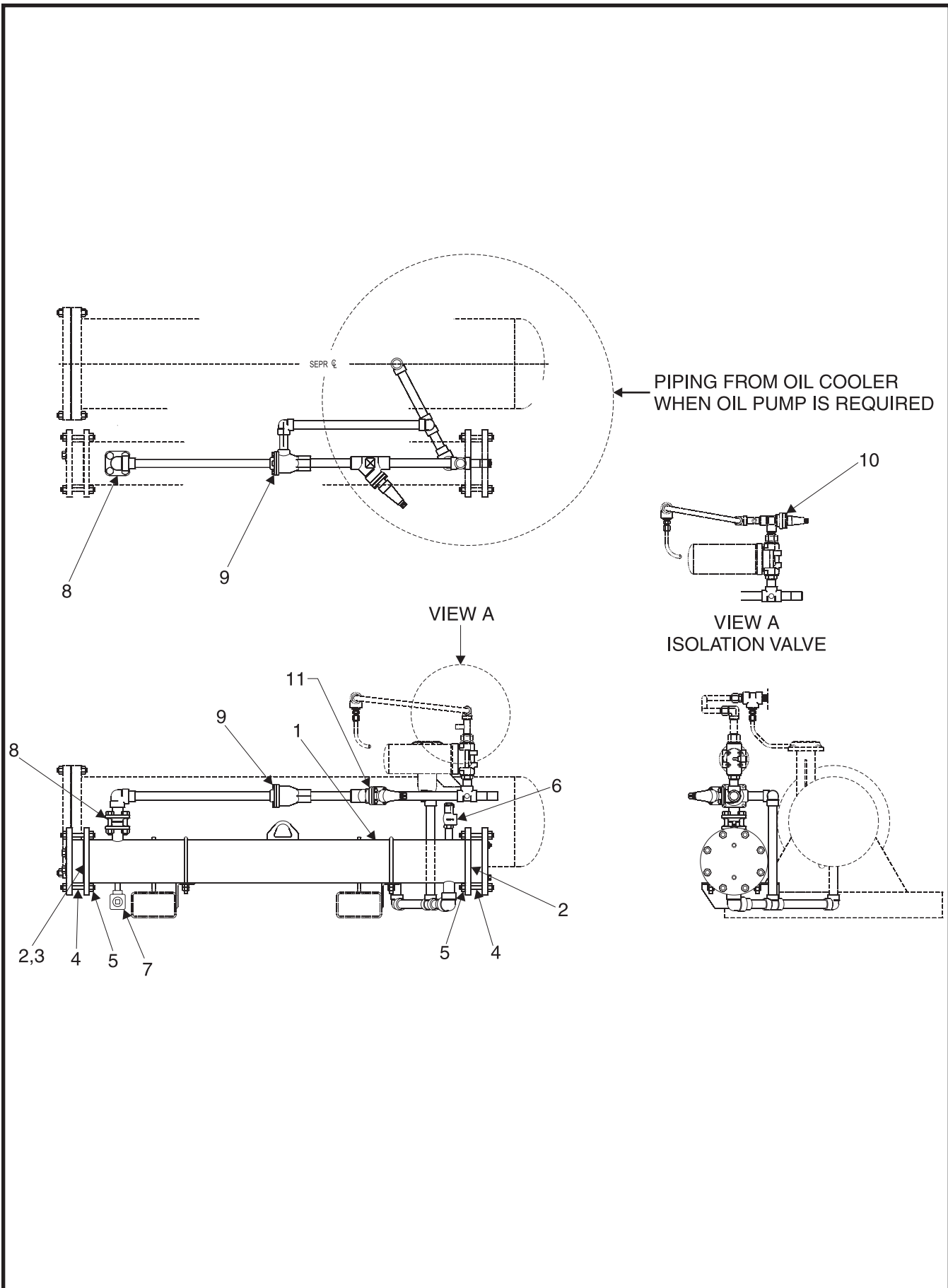


Figure 7. Oil Cooler Piping, Typical, RXF 12—50, WCOG Shown.

FIG. & INDEX	ITEM NUMBER	DESCRIPTION	QTY.	REV.	P & I REF.	
7—	535D0317	Thermosyphon Oil Cooler, 6" x 5' (12—19)	Ref.	E		
	535D0318	Thermosyphon Oil Cooler w/Amot, 6" x 5' (12—19)	Ref.	E		
	535D0319	Water Cooled Oil Cooler, (4 Pass) 6" x 5' (12—19)	Ref.	F		
	535D0320	Water Cooled Oil Cooler (4 Pass) w/Amot, 6" x 5' (12—19)	Ref.	F		
	535D0348	Water Cooled Oil Cooler (2 Pass) w/Amot, 6" x 5' (24—50)	Ref.	E		
	535D0349	Water Cooled Oil Cooler, (2 Pass) 6" x 5' (24—50)	Ref.	E		
	535D0350	Water Cooled Oil Cooler (4 Pass) w/Amot, 6" x 5' (24—50)	Ref.	E		
	535D0351	Water Cooled Oil Cooler, (4 Pass) 6" x 5' (24—50)	Ref.	E		
	535D0352	Water Cooled Oil Cooler (2 Pass) w/Amot, 8" x 5' (24—50)	Ref.	E		
	535D0353	Water Cooled Oil Cooler, (2 Pass) 8" x 5' (24—50)	Ref.	E		
	535D0354	Water Cooled Oil Cooler (4 Pass) w/Amot, 8" x 5' (24—50)	Ref.	E		
	535D0355	Water Cooled Oil Cooler, (4 Pass) 8" x 5' (24—50)	Ref.	E		
	535D0536	Thermosyphon Oil Cooler w/Amot, 10" x 5' (24—50)	Ref.	B		
	535D0537	Thermosyphon Oil Cooler, 10" x 5' (24—50)	Ref.	B		
	535D0271	Thermosyphon Oil Cooler, 6" x 5' (24—50)	Ref.	L		
	535D0275	Thermosyphon Oil Cooler w/Amot, 6" x 5' (24—50)	Ref.	L		
	535D0282	Thermosyphon Oil Cooler w/Amot, 8" x 5' (24—50)	Ref.	K		
	535D0283	Thermosyphon Oil Cooler, 8" x 5' (24—50)	Ref.	K		
	—1	547D0485G01	Oil Cooler, Thermosyphon, 6-5/8 x 60", 400 PSIG, 1 Pass	1		
		547D0486G01	Oil Cooler, Thermosyphon, 8-5/8 x 60", 400 PSIG, 1 Pass	1		
547D0487G01		Oil Cooler, Thermosyphon, 10-3/4 x 60", 400 PSIG, 1 Pass	1			
547D0714G01		Oil Cooler, Thermosyphon, 6-5/8" x 8', 400 PSIG, 1 Pass	1			
547D0715G01		Oil Cooler, Thermosyphon, 8-5/8" x 8', 400 PSIG, 1 Pass	1			
547D0493G01		Oil Cooler, Water Cooled, 6-5/8 x 60", 400 PSIG, 2 Pass	1			
547D0500G01		Oil Cooler, Water Cooled, 6-5/8 x 60", 400 PSIG, 4 Pass	1			
547D0494G01		Oil Cooler, Water Cooled, 8-5/8 x 60", 400 PSIG, 2 Pass	1			
547D0501G01		Oil Cooler, Water Cooled, 8-5/8 x 60", 400 PSIG, 4 Pass	1			
547D0691G01		Oil Cooler, Water Cooled, 10-3/4 x 60", 400 PSIG, 2 Pass	1			
547D0504G01		Oil Cooler, Water Cooled, 10-3/4 x 60", 400 PSIG, 4 Pass	1			
—2		959A0040H16	Gasket, Head, 6-5/8"	2		
		959A0040H15	Gasket, Head, 8-5/8"	2		
	959A0040H17	Gasket, Head, 10-3/4"	2			
—3	959A0040H50	Gasket, Strip (Front Only)	1			
—4	901A0098H16	Stud, 5/8 x 5-1/4 NC, 6-5/8"	16			
	901A0098H19	Stud, 5/8 x 6 NC (2 Pass), 8-5/8"	16			
	901A0098H21	Stud, 5/8 x 6-1/2 NC (4 Pass), 8-5/8" & (2 Pass) 10-3/4"	16			
	901A0098H22	Stud, 5/8 x 6-3/4 NC (4 Pass), 10-3/4"	16			
—5	902A0021H03	Nut, 5/8 NC	32			
—6	952A0025H01	Valve, Safety, 1/2" Shank, 300 PSIG, Vent to Separator	1			
—7	950A0233H01	Valve, Angle, Seal Cap, SW, 1/2", Danfoss	1			
—8	944A0360G10	Kit, Flange, SW, 1-1/4"	1			
	959A0057H04	Gasket	2			
	944A0360G11	Kit, Flange, SW, 1-1/2"	1			
	959A0057H05	Gasket	2			
—9	950A0282H01	Valve, Temperature Regulating, 1" SW, 120°F, Hansen	1			
	950A0282H11	Kit, Service, consisting of Thermostat and Gasket	1			

RXF ROTARY SCREW COMPRESSOR UNIT
SERVICE PARTS LIST



FIG. & INDEX	ITEM NUMBER	DESCRIPTION	QTY.	REV.	P & I REF.
7—	—	Thermosyphon Oil Cooler, Continued	Ref.		
—10	950A0237H02	Valve, Angle, Seal Cap, 3/4" Threaded, Danfoss*	1		
	950A0232H21	Spare Parts Kit, Complete, 3/4"	1		
	950A0232H41	Spare Parts Kit, Cone, 3/4"	1		
	950A0232H31	Spare Parts Kit, Packing Gland, 3/4"	1		
	950A0233H51	Spare Parts Kit, Cap & Bonnet, 3/4"	1		
	950A0233H61	Spare Parts Kit, Seal Cap & Gasket, 3/4"	1		
	950A0237H03	Valve, Angle, Seal Cap, 1" Threaded, Danfoss*	1		
	950A0232H22	Spare Parts Kit, Complete, 1"	1		
	950A0232H42	Spare Parts Kit, Cone, 1"	1		
	950A0232H32	Spare Parts Kit, Packing Gland, 1"	1		
	950A0233H52	Spare Parts Kit, Cap & Bonnet, 1"	1		
	950A0233H62	Spare Parts Kit, Seal Cap & Gasket, 1"	1		
—11	950A0245H03	Valve, Globe, Seal Cap, SW, 1" Danfoss*	1		
	950A0232H22	Spare Parts Kit, Complete, 1"	1		
	950A0232H42	Spare Parts Kit, Cone, 1"	1		
	950A0232H32	Packing Gland Assembly, 1"	1		
	950A0233H52	Cap & Bonnet Spare Parts Kit, 1"	1		
	950A0233H62	Seal Cap & Gasket Spare Parts Kit, 1"	1		
	* Optional Oil Filter Isolation Valve				



RXF ROTARY SCREW COMPRESSOR UNIT
SERVICE PARTS LIST

S70-400 SPL (JUL 2006)
Page 21

This page left blank intentionally.

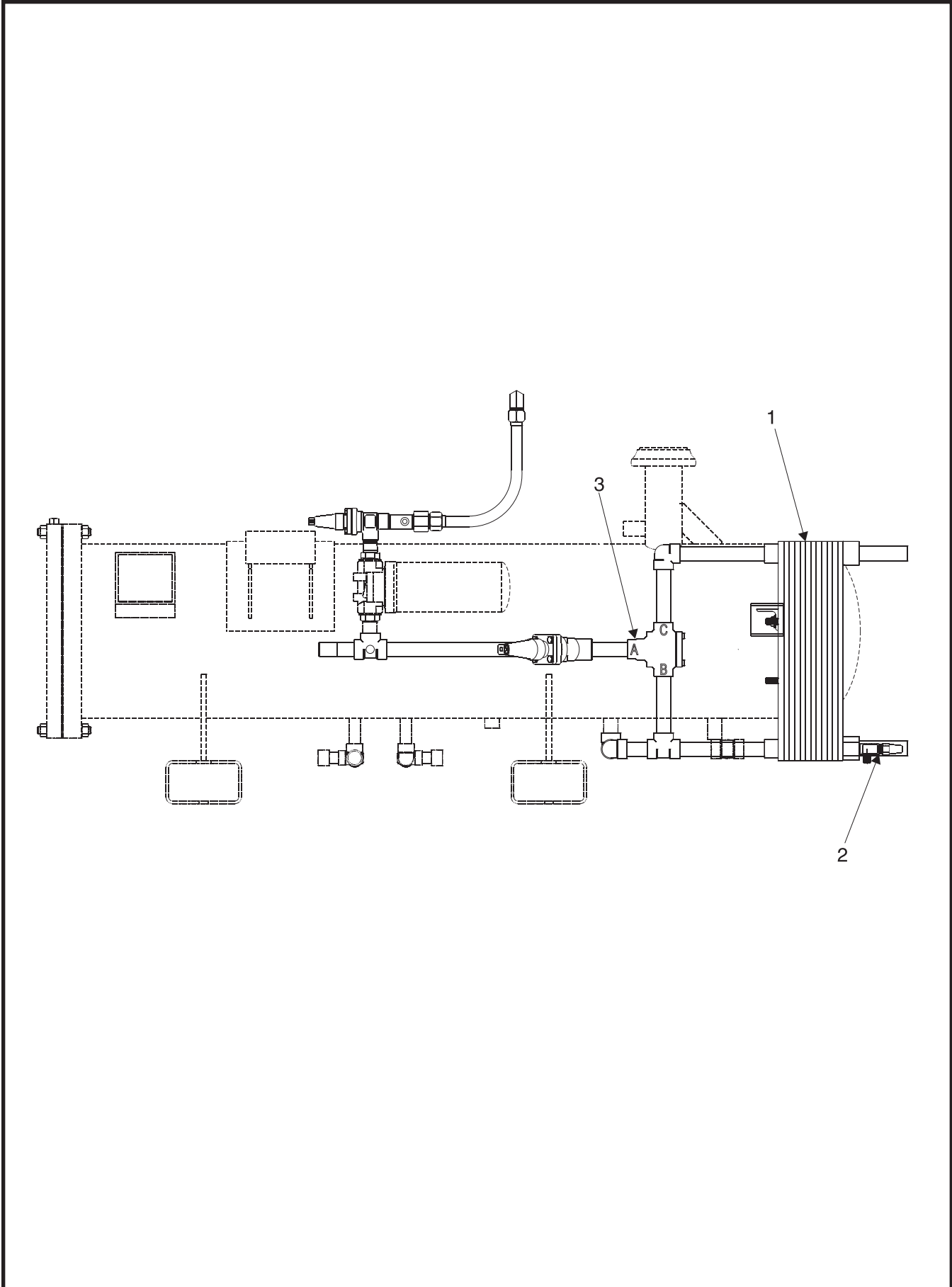


Figure 8. Plate Oil Cooler Piping, Typical, RXF 12—50.

FIG. & INDEX	ITEM NUMBER	DESCRIPTION	QTY.	REV.	P & I REF.
8—	535D0525	Thermosyphon Oil Cooler, Plate Cooler (12—19)	Ref.	C	
	535D0526	Thermosyphon Oil Cooler, Plate Cooler w/Amot (12—19)	Ref.	C	
	535D0466	Thermosyphon Oil Cooler, Plate Cooler (24—50)	Ref.	F	
	535D0467	Thermosyphon Oil Cooler, Plate Cooler w/Amot (24—50)	Ref.	F	
—1	990A0082H01	Oil Cooler, Flat Plate, 5 x 20-20, 300 PSIG	1		
	990A0082H02	Oil Cooler, Flat Plate, 5 x 20-30, 300 PSIG	1		
	990A0082H03	Oil Cooler, Flat Plate, 5 x 20-40, 300 PSIG	1		
	990A0082H04	Oil Cooler, Flat Plate, 5 x 20-50, 300 PSIG	1		
	990A0082H05	Oil Cooler, Flat Plate, 5 x 20-60, 300 PSIG	1		
	990A0082H06	Oil Cooler, Flat Plate, 5 x 20-70, 300 PSIG	1		
	990A0082H07	Oil Cooler, Flat Plate, 5 x 20-80, 300 PSIG	1		
	990A0082H08	Oil Cooler, Flat Plate, 5 x 20-90, 300 PSIG	1		
	990A0082H09	Oil Cooler, Flat Plate, 5 x 20-100, 300 PSIG	1		
	—2	950A0292H03	Valve, Angle, S.C., Stop, Needle, 1/2 MPT, Danfoss	1	
—3	950A0282H01	Valve, Temperature Regulating, 1" SW, 120°F, Hansen	1		
	950A0282H11	Kit, Service, consisting of Thermostat and Gasket	1		

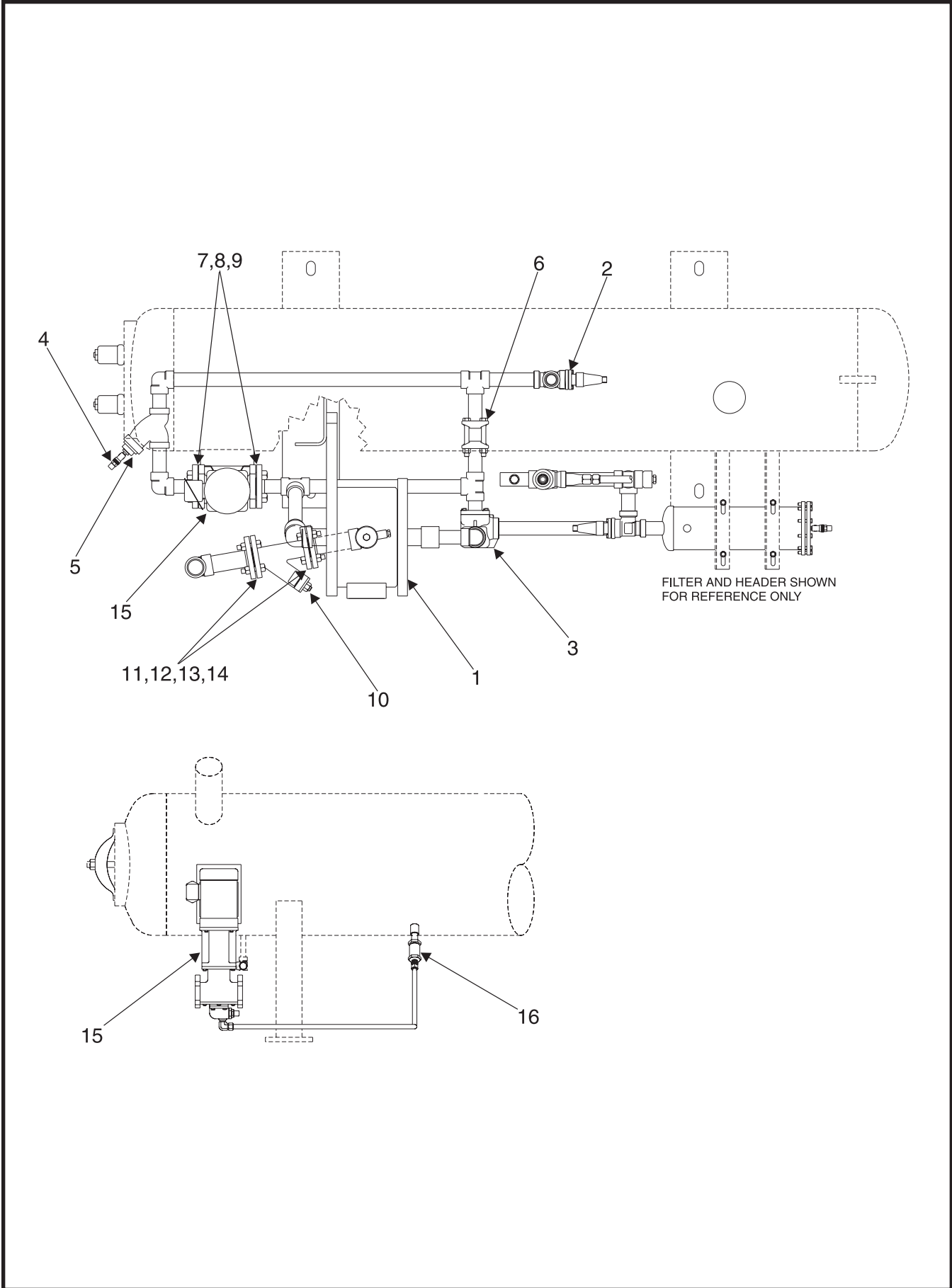


Figure 9. Plate Oil Cooler Piping, RXF 58—101.

FIG. & INDEX	ITEM NUMBER	DESCRIPTION	QTY.	REV.	P & I REF.
9—	720D0400	Piping, Plate WCOC, 58 & 68	Ref.	A	
	720D0401	Piping, Plate WCOC w/Temp. Control Valve	Ref.	A	
	720D0402	Piping, Plate TSOC, 58 & 68	Ref.	A	
	720D0403	Piping, Plate TSCOC w/Temp. Control Valve	Ref.	A	
	720D0404	Piping, Plate WCOC w/Pump, 58 & 68	Ref.	B	
	720D0405	Piping, Plate WCOC w/TCV and Pump, 58 & 68	Ref.	B	
	720D0406	Piping, Plate TSOC w/Pump, 58 & 68	Ref.	B	
	720D0407	Piping, Plate TSOC w/TCV and Pump, 58 & 68	Ref.	B	
	720D0387	Piping, Plate WCOC, 85 & 101	Ref.	B	
	720D0388	Piping, Plate WCOC w/Temp. Control Valve	Ref.	B	
	720D0389	Piping, Plate TSOC, 85 & 101	Ref.	B	
	720D0390	Piping, Plate TSOC w/Temp. Control Valve	Ref.	B	
	720D0391	Piping, Plate WCOC w/Pump, 85 & 101	Ref.	C	
	720D0392	Piping, Plate WCOC w/TCV and Pump, 85 & 101	Ref.	C	
	720D0393	Piping, Plate TSOC w/Pump, 85 & 101	Ref.	C	
	720D0394	Piping, Plate TSOC w/TCV and Pump, 85 & 101	Ref.	C	
	720D0410	Piping, Oil Pump, 58 & 68	Ref.	C	
	720D0397	Piping, Oil Pump, 85 & 101	Ref.	B	
—1	547D0723G01	Assembly, Oil Cooler, 66 Plate, 2 Pass	1		
	547D0724G01	Assembly, Oil Cooler, 116 Plate, 2 Pass	1		
—2	950A0233H05	Valve, Angle, 1-1/2" SW, SC, Danfoss	1		
	950A0232H22	Spare Parts Kit, Complete, 1-1/2"	1		
	950A0232H42	Spare Parts Kit, Cone, 1-1/2"	1		
	950A0232H32	Spare Parts Kit, Packing Gland, 1-1/2"	1		
	950A0233H52	Spare Parts Kit, Cap & Bonnet, 1-1/2"	1		
	950A0233H62	Spare Parts Kit, Seal Cap & Gasket, 1-1/2"	1		
—3	950A0195H01	Valve, Temperature Control, Hansen, 1-1/2" SW	1		TCV
	950A0195H11	Thermostat and Gasket Kit, Hansen	1		
	950A0195H03	Valve, Temperature Control, FPE, 1-1/2" SW	1		
	950A0195H12	Element, Lip Seal, & Housing Seal Kit, FPE	1		
—4	950A0292H01	Valve, Angle, S.C., Stop, Needle, 1/4	1		
—5	950A0069H07	Strainer, Y-type, 1-1/2" SW	1		
	950A0068H25	Gasket, Strainer	1		
	950A0069H37	Screen, Strainer	1		
—6	956A0012G03	Valve, Check, 1-1/2"	1		
—7	944A0108H05	Flange, 1-1/2" 300PSI	2		
—8	959A0054H25	Gasket, 1-1/2" 300PSI	2		
—9	901A0172H03	Flange Bolt Kit, 1-1/2"	2		
—10	950A0075H06	Strainer, Y-type, 2" Flanged	1		
	950A0075H26	Screen, Strainer, 2"	1		
	950A0075H46	Gasket, Strainer, 2"	1		
	950A0075H08	Strainer, Y-type, 3" Flanged	1		
	950A0075H28	Screen, Strainer, 3"	1		
	950A0075H48	Gasket, Strainer, 3"	1		

RXF ROTARY SCREW COMPRESSOR UNIT
SERVICE PARTS LIST



FIG. & INDEX	ITEM NUMBER	DESCRIPTION	QTY.	REV.	P & I REF.
9—	—	Piping, Plate WCOC, Continued	Ref.		
—11	944A0126H06	Flange, 3" - 150#, ANSI, RFSW	2		
	944A0126H08	Flange, 2" - 150#, ANSI, RFSW	2		
—12	959A0054H06	Gasket, 2" - 150#, Flange	2		
	959A0054H08	Gasket, 3" - 150#, Flange	2		
—13	901A0046D08	Capscrew, Hex Head, 5/8 NC x 2-3/4" GR. 5	8		
	901A0046D09	Capscrew, Hex Head, 5/8 NC x 3" GR. 5	8		
—14	902A0021H03	Nut, 5/8-11 NC	8		
—15	960A0082G01	Assbly, Pump, 1HP, 208/230/460-3-60, 190/180-3-50	1		
	960A0082G02	Assbly, Pump, 1HP, 575-3-60	1		
	960A0082G03	Assbly, Pump, 1HP, 415-3-50	1		
	960A0082H01	Pump only	1		
	960A0076H41	Shaft Seal Kit, Pump	1		
	914A0015H01	Motor, 1HP, 208/230/460-3-60, 190/180-3-50	1		
	914A0015H06	Motor, 1HP, 575-3-60	1		
	914A0015H05	Motor, 1HP, 415-3-50	1		
	960A0066H11	Coupling Assembly only	1		
	960A0066H20	C-Face Flange	1		
—16	956A0014H01	Valve, Check, 3/4" NPT	1		



This page left blank intentionally.

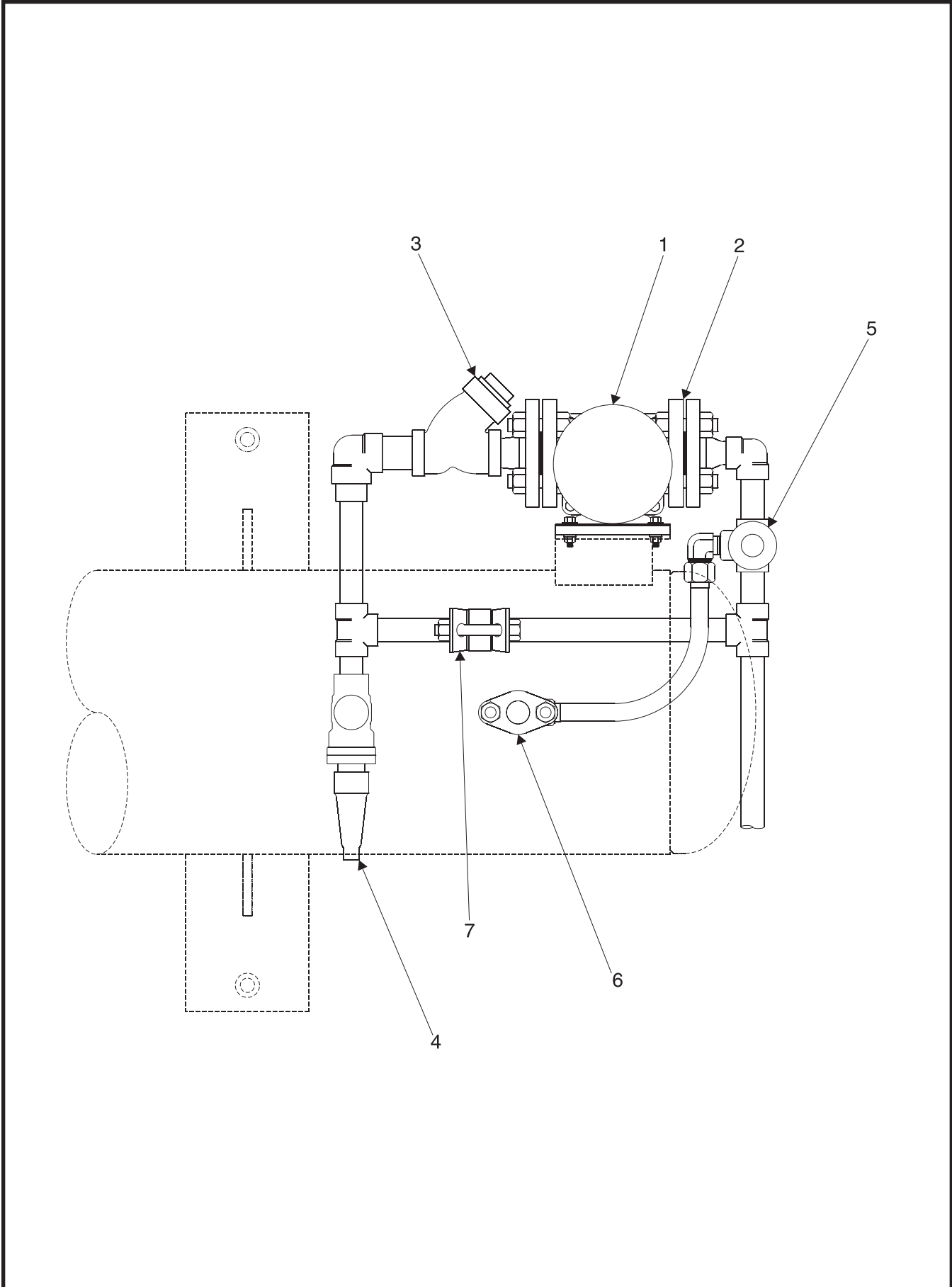


Figure 10. Oil Pump and Piping, Typical, RXF 12—50.

FIG. & INDEX	ITEM NUMBER	DESCRIPTION	QTY.	REV.	P & I REF.
10—	535D0336	19/23 GPM Full Lube Pump, RXF 24—50	Ref.	F	
	535D0337	19/23 GPM Cycling Full Lube, RXF 24—50	Ref.	F	
	535D0338	9/11 GPM Full Lube Pump, RXF 12—50	Ref.	F	
	535D0339	9/11 GPM Cycling Full Lube, RXF 12—50	Ref.	F	
	535D0340	5/6 GPM Full Lube Pump, RXF 12—19	Ref.	F	
	535D0341	5/6 GPM Cycling Full Lube, RXF 12—19	Ref.	F	
—1	960A0043H03	Assembly, Pump & Motor, 220/460VAC, 60 Hz, 5/6 GPM ⁽¹⁾	1		
	914A0057H02	Motor, 220/460VAC, 60 Hz ⁽¹⁾	1		
	960A0043H20	Pump, New, 5/6 GPM	1		
	960A0043H53	Pump, Remanufactured, 5/6 GPM	1		
	960A0043H51	Seal, Shaft	1		
	960A0043H11	Coupling	1		
	960A0043H04	Assembly, Pump & Motor, 575VAC, 60 Hz, 5/6 GPM	1		
	914A0057H01	Motor, 575VAC, 60 Hz	1		
	960A0043H20	Pump, New, 5/6 GPM	1		
	960A0043H53	Pump, Remanufactured, 5/6 GPM	1		
	960A0043H51	Seal, Shaft	1		
	960A0043H11	Coupling	1		
	960A0043H06	Assembly, Pump & Motor, 415VAC, 50 Hz, 5/6 GPM	1		
	914A0057H02	Motor, 415VAC, 50 Hz	1		
	960A0043H20	Pump, New, 5/6 GPM	1		
	960A0043H53	Pump, Remanufactured, 5/6 GPM	1		
	960A0043H51	Seal, Shaft	1		
	960A0043H11	Coupling	1		
	960A0075G01	Assembly, Pump & Motor, 220/460VAC, 60 Hz, 9/11 GPM ⁽²⁾	1		
	914A0015H01	Motor, 220/460VAC, 60 Hz ⁽²⁾	1		
	960A0075H01	Pump, 9/11 GPM	1		
	960A0075H51	Pump, Remanufactured, 9/11 GPM	1		
	960A0075H41	Seal, Shaft	1		
	960A0068H11	Coupling	1		
	960A0075G03	Assembly, Pump & Motor, 415VAC, 50 Hz, 9/11 GPM	1		
	914A0015H05	Motor, 415VAC, 50 Hz	1		
	960A0075H01	Pump, 9/11 GPM	1		
	960A0075H51	Pump, Remanufactured, 9/11 GPM	1		
	960A0075H41	Seal, Shaft	1		
	960A0068H11	Coupling	1		
	960A0075G04	Assembly, Pump & Motor, 575VAC, 60 Hz, 9/11 GPM	1		
	914A0015H06	Motor, 575VAC, 60 Hz	1		
	960A0075H01	Pump, 9/11 GPM	1		
	960A0075H51	Pump, Remanufactured, 9/11 GPM	1		
	960A0075H41	Seal, Shaft	1		
	960A0068H11	Coupling	1		
	960A0076G01	Assembly, Pump & Motor, 220/460VAC, 60 Hz, 23 GPM	1		
	914A0015H02	Motor, 220/460VAC, 60 Hz	1		
	960A0076H01	Pump, 23 GPM	1		
	960A0076H51	Pump, Remanufactured, 23 GPM	1		
	960A0076H41	Seal, Shaft ⁽³⁾	1		
	960A0066H11	Coupling	1		

(1) or 190/380VAC, 50 Hz, 5 GPM.

(2) or 190/380VAC, 50 Hz, 9 GPM.

(3) plus 980A0012B66 O-ring, Head Gasket.

RXF ROTARY SCREW COMPRESSOR UNIT
SERVICE PARTS LIST



FIG. & INDEX	ITEM NUMBER	DESCRIPTION	QTY.	REV.	P & I REF.
	960A0076G05	Assembly, Pump & Motor, 190/380VAC, 50 Hz, 19 GPM	1		
	914A0015H02	Motor, 190/380VAC, 50 Hz	1		
	960A0076H01	Pump, 19 GPM	1		
	960A0076H51	Pump, Remanufactured, 19 GPM	1		
	960A0076H41	Seal, Shaft ⁽³⁾	1		
	960A0066H11	Coupling	1		
	960A0076G07	Assembly, Pump & Motor, 575VAC, 60 Hz, 19 GPM	1		
	914A0015H08	Motor, 575VAC, 60 Hz	1		
	960A0076H01	Pump, 19 GPM	1		
	960A0076H51	Pump, Remanufactured, 19 GPM	1		
	960A0076H41	Seal, Shaft ⁽³⁾	1		
	960A0066H11	Coupling	1		
	960A0076G08	Assembly, Pump & Motor, 415VAC, 50 Hz, 19 GPM	1		
	914A0015H07	Motor, 415VAC, 50 Hz	1		
	960A0076H01	Pump, 19 GPM	1		
	960A0076H51	Pump, Remanufactured, 23 GPM	1		
	960A0076H41	Seal, Shaft ⁽³⁾	1		
	960A0066H11	Coupling	1		
	535M0197G01	Relief Valve Service Kit	1		
—2	959A0054H23	Gasket, Flange, 1 "	2		
	959A0054H25	Gasket, Flange, 1 1/2 "	2		
—3	950A0069H04	Strainer, 3/4 ", 5/6 GPM	1		
	950A0069H22	Gasket, Strainer	1		
	950A0069H34	Screen, Strainer	1		
	950A0069H05	Strainer, 1 ", 9/11 GPM	1		
	950A0069H23	Gasket, Strainer	1		
	950A0069H35	Screen, Strainer	1		
	950A0069H06	Strainer, 1-1/4 ", 19/23 GPM	1		
	950A0069H24	Gasket, Strainer	1		
	950A0069H36	Screen, Strainer	1		
—4	950A0233H03	Valve, Angle, SC, 1 " SW, RXF 24—50 (Danfoss)	1		
	950A0232H22	Spare Parts Kit, Complete, 1 "	1		
	950A0232H42	Spare Parts Kit, Cone, 1 "	1		
	950A0232H32	Spare Parts Kit, Packing Gland, 1 "	1		
	950A0233H52	Spare Parts Kit, Cap & Bonnet, 1 "	1		
	950A0233H62	Spare Parts Kit, Seal Cap & Gasket, 1 "	1		
	950A0237H03	Valve, Angle, SC, 1 " NPT, RXF 24—50 (Danfoss)	1		
	950A0232H22	Spare Parts Kit, Complete, 1 "	1		
	950A0232H42	Spare Parts Kit, Cone, 1 "	1		
	950A0232H32	Spare Parts Kit, Packing Gland, 1 "	1		
	950A0233H52	Spare Parts Kit, Cap & Bonnet, 1 "	1		
	950A0233H62	Spare Parts Kit, Seal Cap & Gasket, 1 "	1		
	950A0237H02	Valve, Angle, SC, 3/4 " NPT, RXF 12—19 (Danfoss)	1		
	950A0232H21	Spare Parts Kit, Complete, 3/4 "	1		
	950A0232H41	Spare Parts Kit, Cone, 3/4 "	1		
	950A0232H31	Spare Parts Kit, Packing Gland, 3/4 "	1		
	950A0233H51	Spare Parts Kit, Cap & Bonnet, 3/4 "	1		
	950A0233H61	Spare Parts Kit, Seal Cap & Gasket, 3/4 "	1		
—5	950A0065H05	Valve, Pressure Regulator	1		



RXF ROTARY SCREW COMPRESSOR UNIT
SERVICE PARTS LIST

S70-400 SPL (JUL 2006)
Page 31

FIG. & INDEX	ITEM NUMBER	DESCRIPTION	QTY.	REV.	P & I REF.
—6	956A0024H03	Valve, Check, 1 "	1		
	959A0057H03	Gasket, Flange, 1 " Check Valve	2		
—7	956A0012G08	Valve, Check, 3/4 ", 5/6 GPM (Optional)	1		
	956A0012G07	Valve, Check, 1 ", 11/23 GPM (Optional)	1		
	959A0057H03	Gasket, Flange, 3/4 " & 1 " Check Valve	2		

(1) or 190/380VAC, 50 Hz, 5 GPM.
(2) or 190/380VAC, 50 Hz, 9 GPM.
(3) plus 980A0012B66 O-ring, Head Gasket.

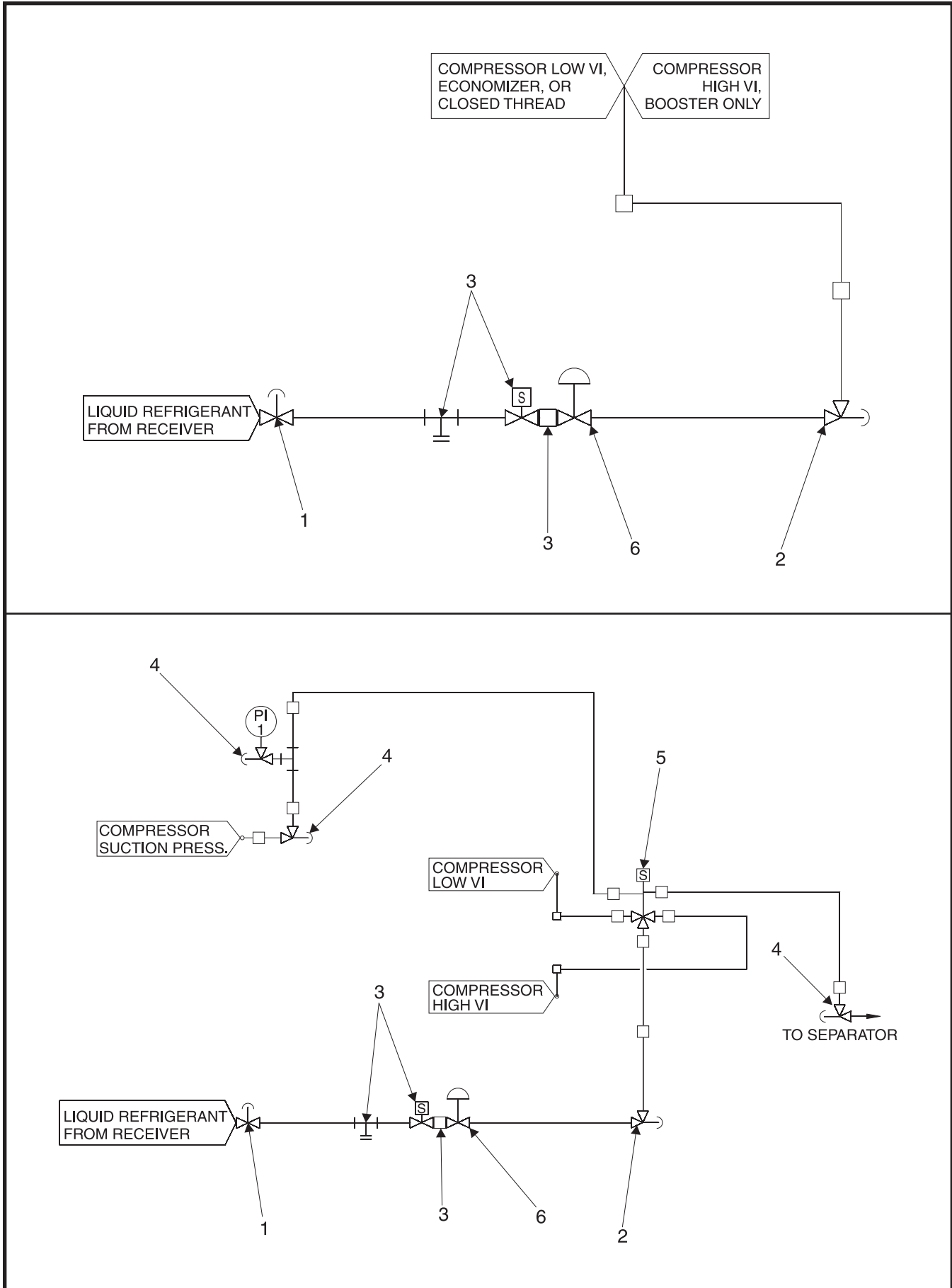


Figure 11. Liquid Injection Piping, Typical.

FIG. & INDEX	ITEM NUMBER	DESCRIPTION	QTY.	REV.	P & I REF.
11—	720M0275	Liquid Injection, Solenoid Valve	Ref.		
	720M0276	Liquid Injection, Single Port, Booster	Ref.		
	720M0277	Liquid Injection, Dual Port	Ref.		
	720M0279	Liquid Injection, Economizer	Ref.		
—1	950A0245H01	Valve, Globe, Seal Cap, 1/2" SW, Danfoss	1		
	950A0245H02	Valve, Globe, Seal Cap, 3/4" SW, Danfoss	1		
	950A0245H03	Valve, Globe, Seal Cap, 1", SW, Danfoss	1		
	950A0245H05	Valve, Globe, Seal Cap, 1 1/2", SW, Danfoss	1		
	950A0232H21	Kit, Complete Spare Parts, 1/2—3/4"	1		
	950A0232H22	Kit, Complete Spare Parts, 1—1 1/2"	1		
	950A0232H41	Kit, Cone Spare Parts, 1/2—3/4"	1		
	950A0232H42	Kit, Cone Spare Parts, 1—1 1/2"	1		
	950A0232H31	Kit, Packing Gland Assbly Spare Parts, 1/2—3/4"	1		
	950A0232H32	Kit, Packing Gland Assbly Spare Parts, 1—1 1/2"	1		
	950A0233H51	Kit, Cap & Bonnet Spare Parts, 1/2—3/4"	1		
	950A0233H52	Kit, Cap & Bonnet Spare Parts, 1—1 1/2"	1		
	950A0233H61	Kit, Seal Cap & Gasket Spare Parts, 1/2—3/4"	1		
	950A0233H62	Kit, Seal Cap & Gasket Spare Parts, 1—2 1/2"	1		
—2	950A0233H02	Valve, Angle, Seal Cap, 3/4" SW, Danfoss	1		
	950A0233H03	Valve, Angle, Seal Cap, 1" SW, Danfoss	1		
	950A0233H04	Valve, Angle, Seal Cap, 1 1/4" SW, Danfoss	1		
	950A0232H21	Kit, Complete Spare Parts, 1/2—3/4"	1		
	950A0232H22	Kit, Complete Spare Parts, 1—1 1/2"	1		
	950A0232H41	Kit, Cone Spare Parts, 1/2—3/4"	1		
	950A0232H42	Kit, Cone Spare Parts, 1—1 1/2"	1		
	950A0232H31	Kit, Packing Gland Assbly Spare Parts, 1/2—3/4"	1		
	950A0232H32	Kit, Packing Gland Assbly Spare Parts, 1—1 1/2"	1		
	950A0233H51	Kit, Cap & Bonnet Spare Parts, 1/2—3/4"	1		
	950A0233H52	Kit, Cap & Bonnet Spare Parts, 1—1 1/2"	1		
	950A0233H61	Kit, Seal Cap & Gasket Spare Parts, 1/2—3/4"	1		
	950A0233H62	Kit, Seal Cap & Gasket Spare Parts, 1—2 1/2"	1		
—3	950A0289G01	Kit, Liquid Injection Solenoid Valve, 1/2"	Ref.		
	950A0289H01	Flange, Male, 1/2" SW (set of 2)	1		
	950A0290H25	Gasket, Flange (set of 2)	1		
	950A0290H01	Strainer	1		
	950A0290H21	Gasket, Strainer	1		
	951A0104H05	Valve, Solenoid, less coil, Danfoss EVRAT10	1		
	950A0293H01	Coil, Solenoid, 240V, 60 Hz	1		
	950A0293H02	Coil, Solenoid, 120V, 60 Hz	1		
	950A0293H03	Coil, Solenoid, 24V, 60 Hz	1		
	950A0289H21	Sight Glass	1		
	950A0289H31	Bolt, Hex Head (set of 4)	1		
	950A0289G02	Kit, Liquid Injection Solenoid Valve, 1/2"	Ref.		
	950A0289H01	Flange, Male, 1/2" SW (set of 2)	1		
	950A0290H25	Gasket, Flange (set of 2)	1		
	950A0290H01	Strainer	1		
	950A0290H21	Gasket, Strainer	1		
	951A0104H01	Valve, Solenoid, less coil, Danfoss EVRA15	1		
	950A0293H01	Coil, Solenoid, 240V, 60 Hz	1		
	950A0293H02	Coil, Solenoid, 120V, 60 Hz	1		
	950A0293H03	Coil, Solenoid, 24V, 60 Hz	1		
	950A0289H21	Sight Glass	1		

RXF ROTARY SCREW COMPRESSOR UNIT
SERVICE PARTS LIST



FIG. & INDEX	ITEM NUMBER	DESCRIPTION	QTY.	REV.	P & I REF.
11—3	—	Kit, Liquid Injection Solenoid Valve (Continued)	Ref.		
	950A0289H31	Bolt, Hex Head (set of 4)	1		
	950A0289G03	Kit, Liquid Injection Solenoid Valve, 3/4"	Ref.		
	950A0289H02	Flange, Male, 3/4" SW (set of 2)	1		
	950A0290H26	Gasket, Flange (set of 2)	1		
	950A0290H02	Strainer	1		
	950A0290H22	Gasket, Strainer	1		
	951A0104H02	Valve, Solenoid, less coil, Danfoss EVRA20	1		
	950A0293H01	Coil, Solenoid, 240V, 60 Hz	1		
	950A0293H02	Coil, Solenoid, 120V, 60 Hz	1		
	950A0293H03	Coil, Solenoid, 24V, 60 Hz	1		
	950A0289H22	Sight Glass	1		
	950A0289H32	Bolt, Hex Head (set of 2)	1		
	950A0289H33	Bolt, Hex Head (set of 2)	1		
	950A0289G04	Kit, Liquid Injection Solenoid Valve, 1"	Ref.		
	950A0291H01	Strainer, 1" SW	1		
	950A0291H21	Screen, 100 Mesh	1		
	950A0289H03	Flange, Male, 1" SW (set of 2)	1		
	950A0290H26	Gasket, Flange (set of 2)	1		
	951A0106H01	Valve, Solenoid less coil, Danfoss EVRA25	1		
	950A0293H01	Coil, Solenoid, 240V, 60 Hz	1		
	950A0293H02	Coil, Solenoid, 120V, 60 Hz	1		
	950A0293H03	Coil, Solenoid, 24V, 60 Hz	1		
	950A0289H22	Sight Glass, 1" SW	1		
	950A0289H32	Bolt, Hex Head (set of 2)	1		
	950A0289H33	Bolt, Hex Head (set of 2)	1		
	950A0289G05	Kit, Liquid Injection, Solenoid Valve, 1 1/2"	Ref.		
	950A0291H02	Strainer, 1 1/2" BW	1		
	950A0291H21	Screen, 100 Mesh	1		
	951A0107H01	Valve, Solenoid, 1 1/2" BW, less coil, Danfoss EVRA32*	1		
	950A0293H01	Coil, Solenoid, 240V, 60 Hz	1		
	950A0293H02	Coil, Solenoid, 120V, 60 Hz	1		
	950A0293H03	Coil, Solenoid, 24V, 60 Hz	1		
	950A0289H23	Sight Glass, 1 1/2" BW	1		
	950A0289H11	Gasket Kit (set of 2)	1		
—4	950A0292H01	Valve, Angle, SC, Stop, Needle, 1/4" MPT x 1/4" FPT	1		
—5	951A0053H01	Valve, 3-Way, Solenoid	1		
	951A0054H01	Coil, 120V, 60 Hz (AP100-1-17-31)	1		
	951A0054H02	Coil, 120V, 60 Hz (AP100-1-17-31EP)	1		
	951A0054H03	Coil, 240V, 60 Hz (AP100-1-17-32)	1		
	951A0054H04	Coil, 240V, 60 Hz (AP100-1-17-32EP)	1		
	951A0053G21	Kit, Consisting of valve, less coil, & 944A0117H01 ftgs.	1		
—6	954A0070H01	Assembly, Valve, Motor, Danfoss ICM 20A, 3/4" SW	1		
	954A0070H02	Assembly, Valve, Motor, Danfoss ICM 20B, 3/4" SW	1		
	954A0070H03	Assembly, Valve, Motor, Danfoss ICM 20C, 3/4" SW	1		
	954A0070H11	Valve only, ICM 20A	1		
	954A0070H12	Valve only, ICM 20B	1		
	954A0070H13	Valve only, ICM 20C	1		
	954A0070H14	Top Cover, Function Module ICM 20A	1		
	954A0070H15	Top Cover, Function Module ICM 20B	1		

FIG. & INDEX	ITEM NUMBER	DESCRIPTION	QTY.	REV.	P & I REF.
	954A0070H16	Top Cover, Function Module ICM 20C	1		
	954A0070H17	Disassembly Kit	1		
	954A0070H18	Calibration Tool	1		
	954A0070H19	Motor, Actuator ICAD 600	1		
	954A0071H01	Assembly, Valve, Motor, Danfoss ICM 25A, 1" SW	1		
	954A0071H11	Valve only, ICM 25A	1		
	954A0071H12	Top Cover, Function Module ICM 25A	1		
	954A0071H13	Disassembly Kit	1		
	954A0070H18	Calibration Tool	1		
	954A0070H19	Motor, Actuator ICAD 600	1		
	954A0072H01	Assembly, Valve, Motor, Danfoss ICM 32A, 1 1/4" SW	1		
	954A0072H11	Valve only, ICM 32A	1		
	954A0072H12	Top Cover, Function Module ICM 32A	1		
	954A0072H13	Disassembly Kit	1		
	954A0070H18	Calibration Tool	1		
	954A0070H19	Motor, Actuator ICAD 600	1		
	954A0064H01	Assembly, Valve, Motor, Hansen HMXV/A, 1/2" SW	1		
	954A0064H11	Gasket, 1/2"	2		
	954A0064H12	Flange, 1/2"	2		
	954A0065H01	Assembly, Valve, Motor, Hansen HMMR, 3/4" SW	1		
	954A0065H11	Gasket, 3/4"	2		
	954A0065H12	Flange, 3/4"	2		
	954A0066H01	Assembly, Valve, Motor, Hansen HMMR, 1" SW	1		
	954A0065H11	Gasket, 1"	2		
	954A0066H11	Flange, 1"	2		
	954A0067H01	Assembly, Valve, Motor, Hansen HMMR, 1 1/4" SW	1		
	954A0065H11	Gasket, 1 1/4"	2		
	954A0067H11	Flange, 1 1/4"	2		
	954A0068H01	Assembly, Valve, Motor, Hansen HMMR, 1 1/2" SW	1		
	954A0068H11	Gasket, 1 1/2"	2		
	954A0068H12	Flange, 1 1/2"	2		

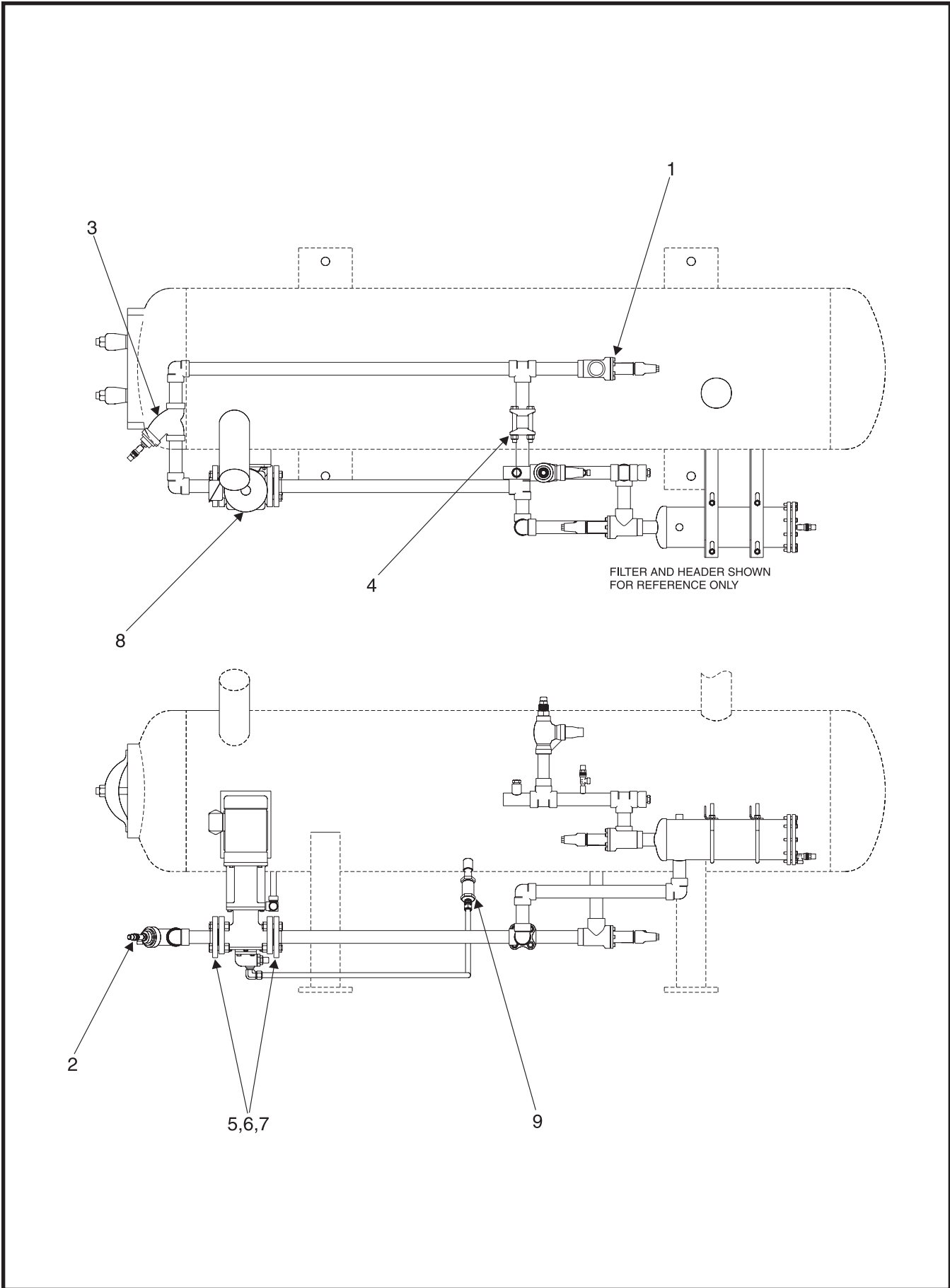


Figure 12. Piping, Pump & Liquid Injection, RXF 58—101.

FIG. & INDEX	ITEM NUMBER	DESCRIPTION	QTY.	REV.	P & I REF.
12—	720D0411	Liquid Injection, 58 & 68	Ref.	A	
	720D0412	Liquid Injection w/Pump, 58 & 68	Ref.	B	
	720D0398	Liquid Injection, 85 & 101	Ref.	B	
	720D0399	Liquid Injection w/Pump, 85 & 101	Ref.	C	
—1	950A0233H05	Valve, Angle, SC, 1-1/2" SW, Danfoss	1		
	950A0232H22	Spare Parts Kit, Complete, 1-1/2"	1		
	950A0232H42	Spare Parts Kit, Cone, 1-1/2"	1		
	950A0232H32	Spare Parts Kit, Packing Gland, 1-1/2"	1		
	950A0233H52	Spare Parts Kit, Cap & Bonnet, 1-1/2"	1		
	950A0233H62	Spare Parts Kit, Seal Cap & Gasket, 1-1/2"	1		
—2	950A0292H01	Valve, Angle, S.C., Stop, Needle, 1/4	1		
—3	950A0069H07	Strainer, Y-type, 1-1/2" SW	1		
	950A0069H25	Gasket, Strainer, 1-1/2"	1		
	950A0069H37	Screen, Strainer, 1-1/2"	1		
—4	956A0012G03	Valve, Check, 1-1/2" SW	1		
—5	944A0108H05	Flange, 1-1/2" SW ANSI, 300#	2		
—6	959A0054H25	Gasket, 1-1/2" - 300# Flange	2		
—7	901A0172H03	Flange Bolt Kit, 1-1/2" - 300# ANSI	2		
—8	960A0082G01	Assbly, Pump, 1HP, 208/230/460-3-60, 190/180-3-50	1		
	960A0082G02	Assbly, Pump, 1HP, 575-3-60	1		
	960A0082G03	Assbly, Pump, 1HP, 415-3-50	1		
	960A0082H01	Pump only	1		
	960A0076H41	Shaft Seal Kit, Pump	1		
	914A0015H01	Motor, 1HP, 208/230/460-3-60, 190/180-3-50	1		
	914A0015H06	Motor, 1HP, 575-3-60	1		
	914A0015H05	Motor, 1HP, 415-3-50	1		
	960A0066H11	Coupling Assembly only	1		
	960A0066H20	C-Face Flange	1		
—9	956A0014H01	Valve, Check, 3/4" NPT	1		

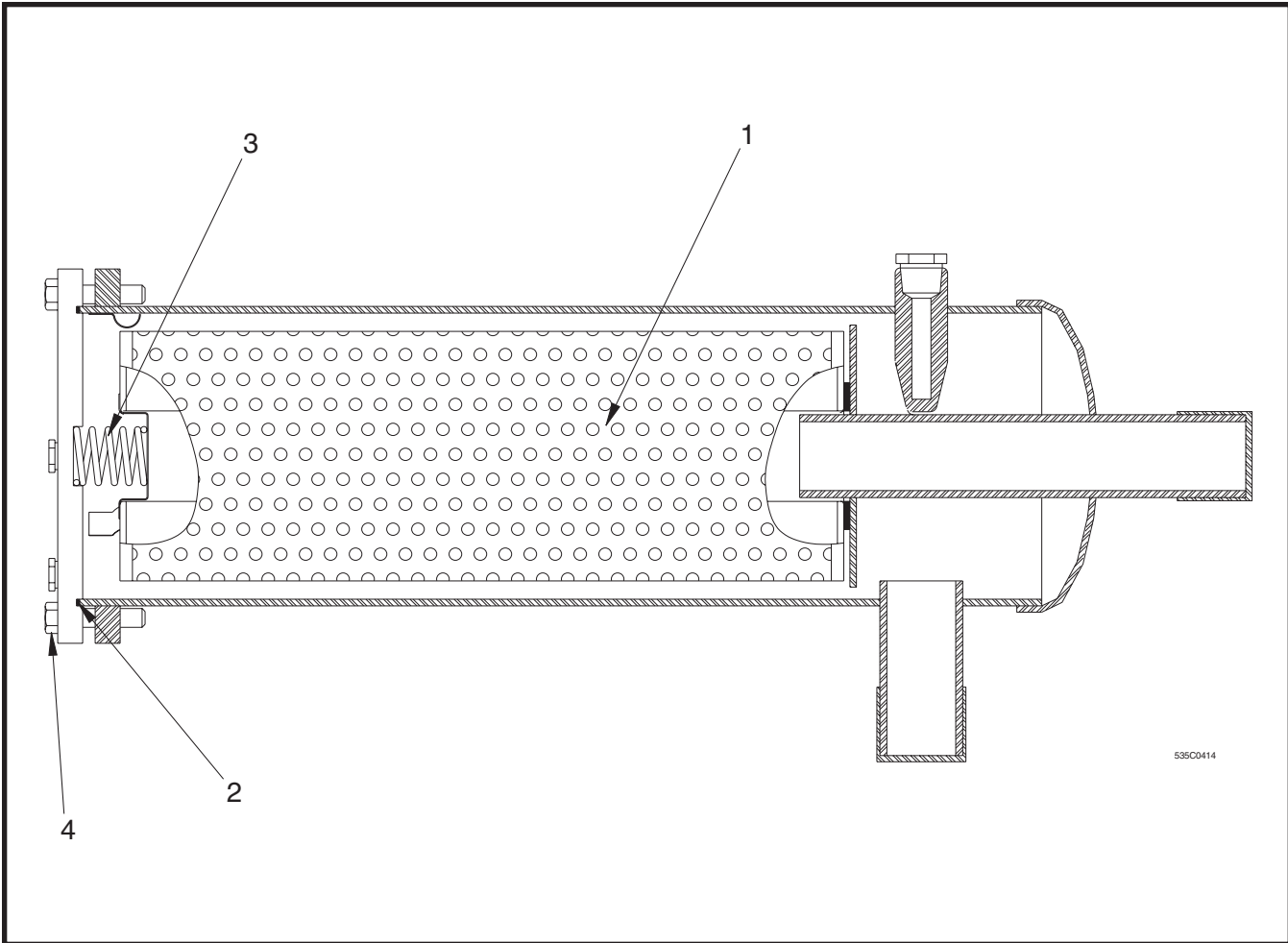
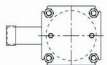


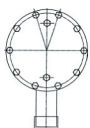
Figure 13. Oil Filter, Standard, RXF 58—101.

FIG. & INDEX	ITEM NUMBER	DESCRIPTION	QTY.	REV.	P & I REF.
13—	535C0513H01	Oil Filter Assembly ⁽³⁾	Ref.	F	F-1
—1	531A0224H02	Element, Oil Filter, SuperFilter™ II ⁽¹⁾	1		
—2	959A0082H02	Gasket	1		
—3	535A0378H01	Spring	1		
—4	—	Capscrew, 3/8 x 1-3/4 UNC ⁽²⁾	10		

1. Required for 1-2-3 Warranty
 2. Torque Filter Cover Bolts in sequence to: fingertight; 17 ft lb; 35 ft lb
 3. There are **two types** of oil filter canisters used on Frick RXF 58 – 101 units. The **most common type**, shown above, has a round ten bolt cover plate which is sealed with a gasket. The oil filter part number is 531A0224H02 and the gasket part number is 959A0082H02. The **second type**, below left, has a square four bolt cover plate that is sealed with an O-ring. The part number for the oil filter is the same as above, 531A0224H02. The O-ring part number is DEE039100545T. This part number has been entered at Baltimore Parts. It is always a good idea to have a new gasket when changing the oil filter, the same goes for the O-ring. The gasket and O-ring must be ordered separately.



Oil Filter w/O-ring



Oil Filter w/Gasket

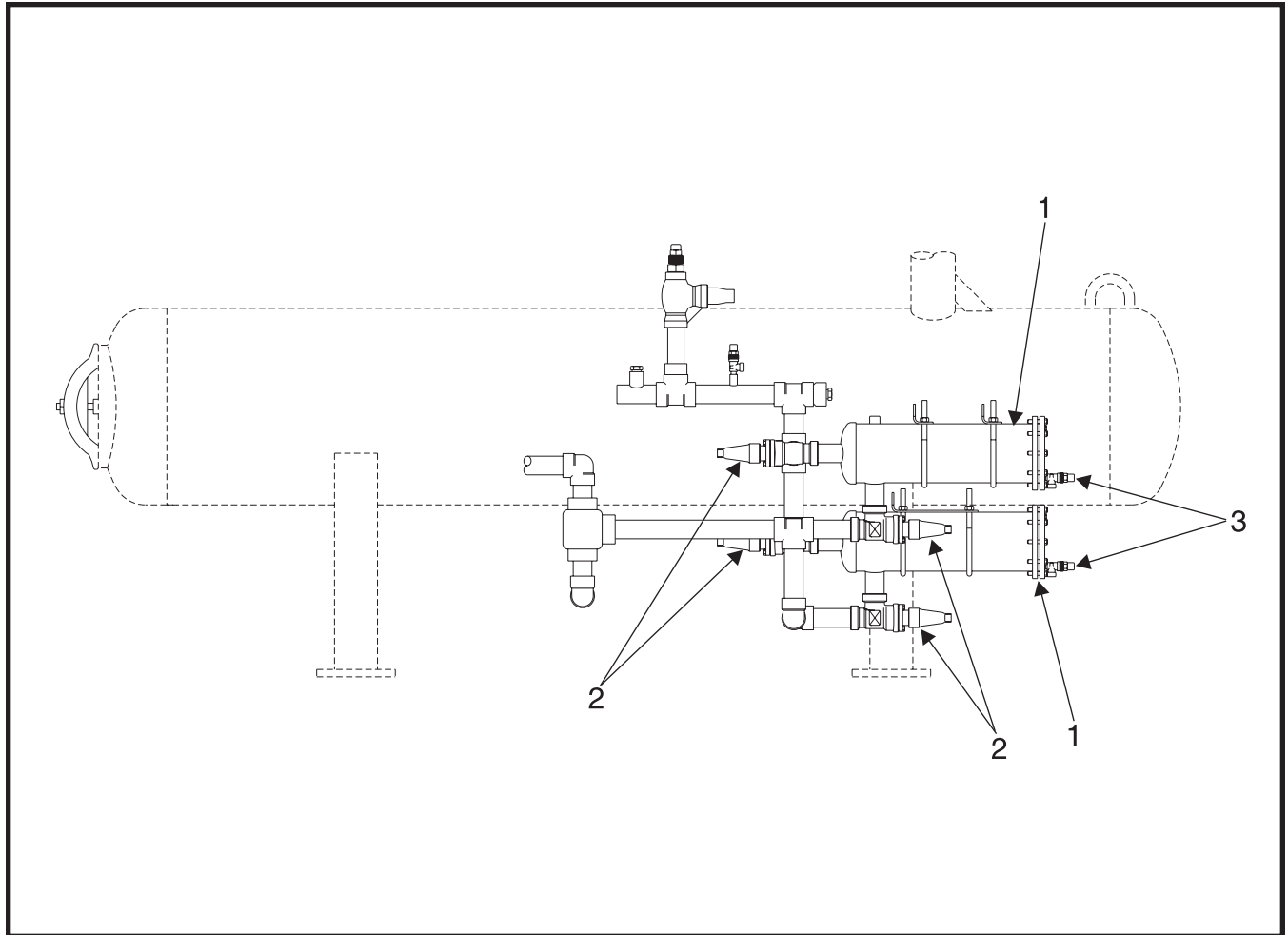


Figure 14. Dual Oil Filter, Typical, RXF 58—101.

FIG. & INDEX	ITEM NUMBER	DESCRIPTION	QTY.	REV.	P & I REF.
14—	720D0408 720D0395	Piping, Dual Oil Filter, 58 & 68 Piping, Dual Oil Filter, 85 & 101	Ref. Ref.	E F	
—1	535C0513H01	Filter Assembly, 6" (See Figure 13)	2		
—2	950A0233H05 950A0232H22 950A0232H42 950A0232H32 950A0233H52 950A0233H62	Valve, Angle, SC, 1-1/2" SW, Danfoss Spare Parts Kit, Complete, 1-1/2" Spare Parts Kit, Cone, 1-1/2" Spare Parts Kit, Packing Gland, 1-1/2" Spare Parts Kit, Cap & Bonnet, 1-1/2" Spare Parts Kit, Seal Cap & Gasket, 1-1/2"	4 1 1 1 1 1		
—3	950A0292H01	Valve, Angle, S.C., Stop, Needle, 1/4"	3		

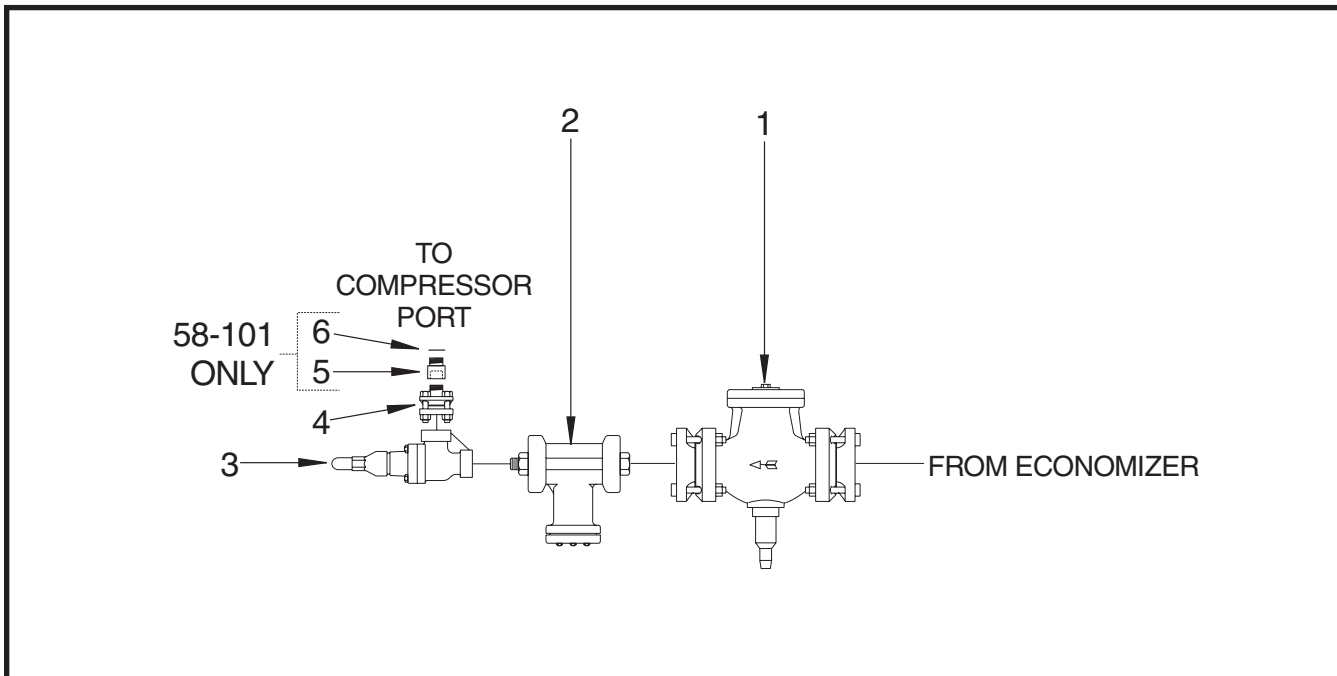


Figure 15. Economizer Kit, Typical.

FIG. & INDEX	ITEM NUMBER	DESCRIPTION	QTY.	REV.	P & I REF.
15—	535B0056	Economizer Details	Ref.	F	
—1	956A0025H22	Valve, Check, 1-1/4", RXF 12—68, R-22	1		
	959A0057H04	Gasket, Flange, 1-1/4"	2		
	956A0025H28	Valve, Check, Modified, 1-1/4", RXF 12—68, R-717	1		
	959A0057H04	Gasket, Flange, 1-1/4"	2		
	956A0025H23	Valve, Check, Modified, 1-5/8", RXF 85 & 101	1		
	959A0057H05	Gasket, Flange, 1-1/2"	2		
—2	950A0001H05	Strainer, 1-1/4", RXF 12—68	1		
	959A0057H04	Gasket, Flange, 1-1/4"	2		
	950A0001H06	Strainer, 2", RXF 85 & 101	1		
	959A0057H07	Gasket, Flange, 2"	2		
	950A0001H08	Strainer, 1-1/2", RXF 85 & 101	1		
	959A0057H05	Gasket, Flange, 1-1/2"	2		
—3	950A0233H04	Valve, Angle, SC, SW, 1-1/4", Danfoss	1		
	950A0233H05	Valve, Angle, SC, SW, 1-1/2", Danfoss	1		
	950A0232H22	Spare Parts Kit, Complete, 1-1/4 & 1-1/2"	1		
	950A0232H42	Spare Parts Kit, Cone, 1-1/4 & 1-1/2"	1		
	950A0232H32	Spare Parts Kit, Packing Gland, 1-1/4 & 1-1/2"	1		
	950A0233H52	Spare Parts Kit, Cap & Bonnet, 1-1/4 & 1-1/2"	1		
	950A0233H62	Spare Parts Kit, Seal Cap & Gasket, 1-1/4 & 1-1/2"	1		
—4	944A0360G10	Flange, Union, SW, 1-1/4"	1		
	959A0057H04	Gasket, 1-1/4"	2		
	944A0360G11	Flange, Union, SW, 1-1/2"	1		
	959A0057H05	Gasket, 1-1/2"	2		
—5	944A0246H19	Adapter, 1-1/2 NPTF to 1-7/8 UNF	1		
—6	980A0012K72	O-Ring	1		

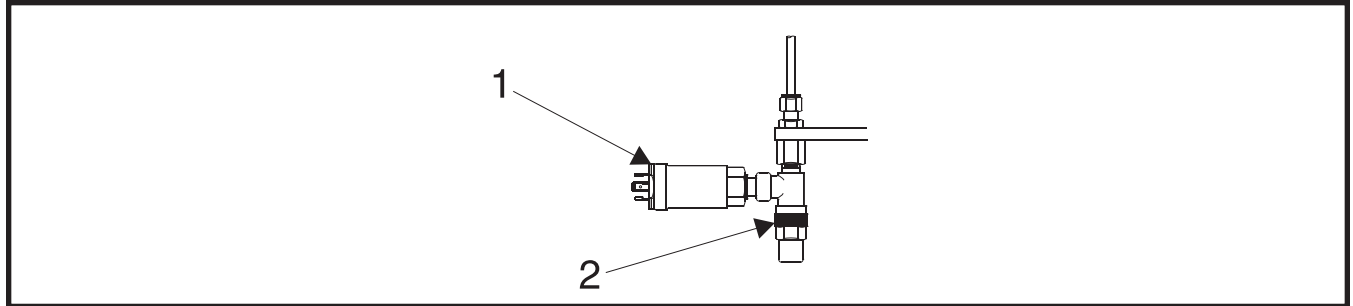
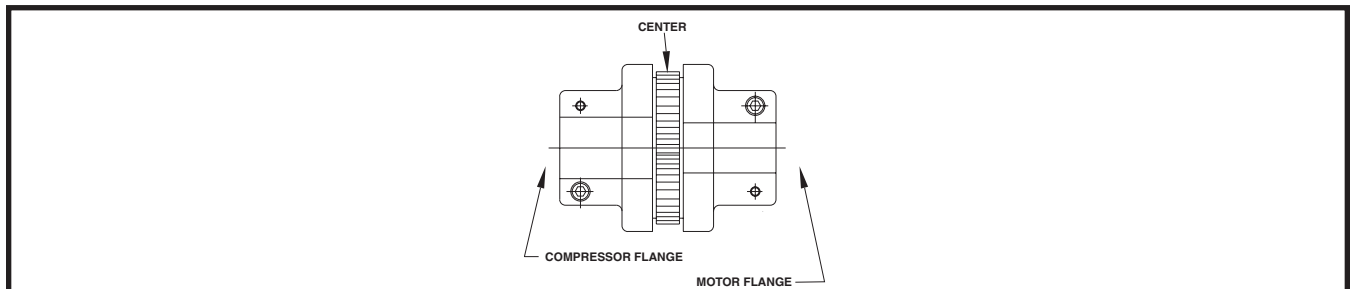


Figure 16. Transducer Piping Assembly.

FIG. & INDEX	ITEM NUMBER	DESCRIPTION	QTY.	REV.	P & I REF.
16—	—	Transducer Piping Assembly	Ref.		
—1	913A0124H01 913A0124H02	Transducer, 0 - 200 PSIA Transducer, 0 - 500 PSIA	3 3		
—2	950A0292H01	Valve, Angle, S.C., Stop, Needle, 1/4	3		



MODEL	SIZE	COMPRESSOR FLANGE		CENTER	MOTOR FLANGE	
		PART NO.	BORE		PART NO.	BORE
12—19	6C	930A0093H73	1.378	930A0093H61	930A0093H80	1.375
12—19	6C	930A0093H73	1.378	930A0093H61	930A0093H72	1.625
12—19	6C	930A0093H73	1.378	930A0093H61	930A0093H63	1.875
12—19	7C	930A0093H67	1.378	930A0093H58	930A0093H60	1.875
12—19	7C	930A0093H67	1.378	930A0093H58	930A0093H96	1.625
12—19	8C	930A0093H69	1.378	930A0093H01	930A0093H53	2.375
12—19	8C	930A0093H69	1.378	930A0093H01	930A0093H03	1.875
12—19	8C	930A0093H69	1.378	930A0093H01	930A0093H04	2.125
24—50	6C	930A0093H62	1.575	930A0093H61	930A0093H63	1.875
24—50	6C	930A0093H62	1.575	930A0093H61	930A0093H72	1.625
24—50	6C	930A0093H62	1.575	930A0093H61	930A0093H83	1.125
24—50	7C	930A0093H59	1.575	930A0093H58	930A0093H60	1.875
24—50	7C	930A0093H59	1.575	930A0093H58	930A0093H82	1.375
24—50	8C	930A0093H54	1.575	930A0093H01	930A0093H03	1.875
24—50	8C	930A0093H54	1.575	930A0093H01	930A0093H04	2.125
24—50	8C	930A0093H54	1.575	930A0093H01	930A0093H53	2.375
24—50	8C	930A0093H54	1.575	930A0093H01	930A0093H77	2.165
24—50	8C	930A0093H54	1.575	930A0093H01	930A0093H92	2.362
58—101	8C	930A0093H39	2.000	930A0093H01	930A0093H03	1.875
58—101	8C	930A0093H39	2.000	930A0093H01	930A0093H04	2.125
58—101	8C	930A0093H39	2.000	930A0093H01	930A0093H53	2.375
58—101	9C	930A0093H37	2.000	930A0093H05	930A0093H09	2.375
58—101	10C	930A0120H01	2.000	930A0093H11	930A0120H02	2.375

Figure 17. Drive Coupling.

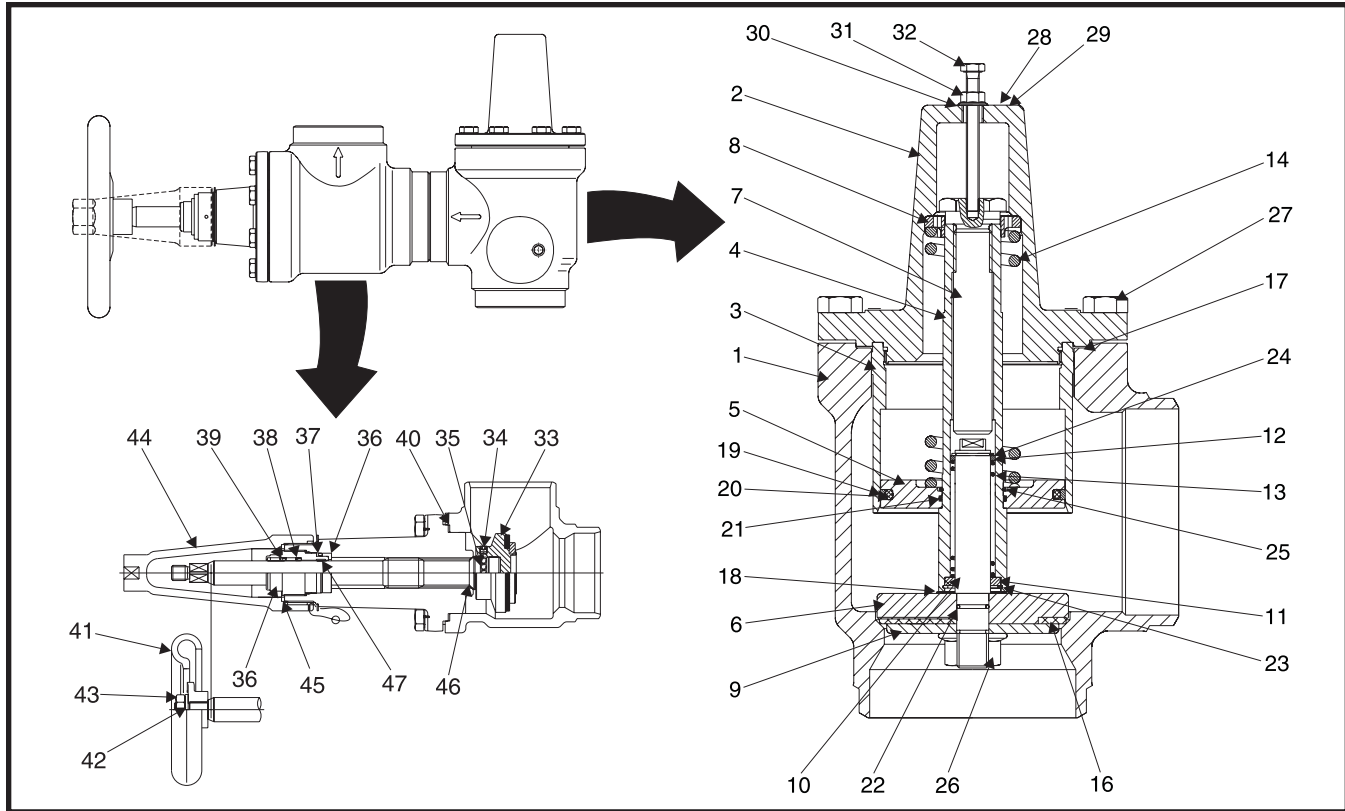


Figure 18. 2-1/2—4" Discharge Stop/Check Valve, Current (Danfoss).

Figure 18. DISCHARGE STOP-CHECK VALVE ASSEMBLY				
ASSEMBLY	APPLICATION	SIZE	STOP VALVE	CHECK VALVE
582C0028G01	HIGH STAGE HW	2-1/2	950A0240H07	956A0043H01
582C0028G02	HIGH STAGE SC	2-1/2	950A0241H07	956A0043H01
582C0028G03	BOOSTER HW	2-1/2	950A0240H07	956A0043H02
582C0028G04	BOOSTER SC	2-1/2	950A0241H07	956A0043H02
582C0029G01	HIGH STAGE HW	3	950A0240H08	956A0044H01
582C0029G02	HIGH STAGE SC	3	950A0241H08	956A0044H01
582C0029G03	BOOSTER HW	3	950A0240H08	956A0044H02
582C0029G04	BOOSTER SC	3	950A0241H08	956A0044H02
582C0030G01	HIGH STAGE HW	4	950A0240H09	956A0045H01
582C0030G02	HIGH STAGE SC	4	950A0241H09	956A0045H01
582C0030G03	BOOSTER HW	4	950A0240H09	956A0045H02
582C0030G04	BOOSTER SC	4	950A0241H09	956A0045H02

Fig. 18. STOP VALVE REPAIR KITS (See index next page)							
VALVE	DESCR.	SIZE	● COMPLETE SPARES KIT ⁽¹⁾	✦ PACKING GLAND KIT ⁽²⁾	◆ CONE KIT ⁽³⁾	◆ HW/SC KIT ⁽⁴⁾	■ CAP & BONNET KIT ⁽⁵⁾
950A0240H07	BW - HW	2-1/2	950A0240H24	950A0232H33	950A0240H44	950A0232H53	N/A
950A0240H08	BW - HW	3	950A0240H25	950A0240H34	950A0240H45	950A0240H54	N/A
950A0240H09	BW - HW	4	950A0240H26	950A0240H34	950A0240H46	950A0240H55	N/A
950A0240H10	BW - HW	5	950A0240H27	950A0240H35	950A0240H47	950A0240H56	N/A
950A0241H07	BW - SC	2-1/2	950A0240H24	950A0232H33	950A0240H44	950A0233H62	950A0241H54
950A0241H08	BW - SC	3	950A0240H25	950A0240H34	950A0240H45	950A0241H63	950A0241H55
950A0241H09	BW - SC	4	950A0240H26	950A0240H34	950A0240H46	950A0241H63	950A0241H56
950A0241H10	BW - SC	5	950A0240H27	950A0240H35	950A0240H47	950A0241H64	950A0241H57

- (1) Consists of Cone, Setscrew, Steel Balls, O-ring, Cap Gasket, Soft Backseat.
- (2) Consists of Packing Gland and Washer, O-rings, Wear Ring, and U-sleeves (where applicable).
- (3) Consists of Cone, Setscrew, Steel Balls, O-ring.
- (4) Consists of Handwheel, Washer, Screw/Nut or Seal Cap and Gasket.
- (5) Consists of O-ring and Cap Gasket (plus Soft Backseat for 3 and 4").

FIG. & INDEX	ITEM NUMBER	DESCRIPTION	QTY.	REV.	P & I REF.
18—	—	Discharge Stop Check Valve Assembly	Ref.		
	—	Check Valve (For P/N, see chart previous page)	Ref.		
—1	—	Housing	1		
—2	—	Bonnet	1		
—3	—	Piston Cylinder	1		
—4	—	Piston Rod	1		
—5	—	Piston	1		
—6	—	Cone	1		
—7	—	Spring Screw	1		
—8	—	Spring Bushing	1		
—9	—	Cone Plate	1		
—10	—	Cone Rod	1		
—11	—	Rear Bushing	1		
—12	—	Front Bushing	1		
—13	—	Spring	1		
—14	Spring Kit*	Spring	1		
—15	—	Plug (not shown)	1		
—16	Seal Kit*	Teflon Ring	1		
—17	Seal Kit*	Bonnet Gasket	1		
—18	Seal Kit*	Nylon Washer	1		
—19	Seal Kit*	Glyde Ring	1		
—20	Seal Kit*	O-Ring	1		
—21	Seal Kit*	O-Ring	1		
—22	Seal Kit*	O-Ring	1		
—23	—	Spring Ring	1		
—24	—	Spring Ring	1		
—25	—	Spring Ring	1		
—26	—	Nut	1		
—27	—	Set Screw	A/R		
—28	Spring Kit*	Marking Plate	1		
—29	Spring Kit*	Rivet	1		
—30	—	Washer	1		
—31	—	Nut	1		
—32	—	Screw	1		
	—	Stop Valve (For P/N, see charts previous page)	Ref.		
—33	●◆	Cone & Cone Seal	1		
—34	●◆	Setscrew	1		
—35	●◆	Balls, Steel	A/R		
—36	✻	Gland, Packing	1		
—37	✻	Washer, Packing	1		
—38	✻	O-ring	1		
—39	✻	O-ring	1		
—40	●◆■	O-ring	1		
—41	◆	Handwheel	1		
—42	◆	Washer	1		
—43	◆	Screw/Nut	1		
—44	◆	Cap	1		
—45	●◆■	Gasket, Cap	1		
—46	●■	Baskseat, Soft	1		
—47	✻	Ring, Wear	1		

* See Check Valve Repair Kits Chart, below.

Figure 18. CHECK VALVE REPAIR KITS (See index above)						
VALVE	APPLICATION	SIZE	BONNET GASKET	SEAL KIT	14.5 PSI SPRING KIT	29 PSI SPRING KIT
956A0043H01	HIGH STAGE	2-1/2	956A0043H11	956A0043H12	956A0043H13	956A0043H14
956A0043H02	BOOSTER	2-1/2	956A0043H11	956A0043H12	956A0043H13	956A0043H14
956A0044H01	HIGH STAGE	3	956A0044H11	956A0044H12	956A0044H13	956A0044H14
956A0044H02	BOOSTER	3	956A0044H11	956A0044H12	956A0044H13	956A0044H14
956A0045H01	HIGH STAGE	4	956A0045H11	956A0045H12	956A0045H13	956A0045H14
956A0045H02	BOOSTER	4	956A0045H11	956A0045H12	956A0045H13	956A0045H14

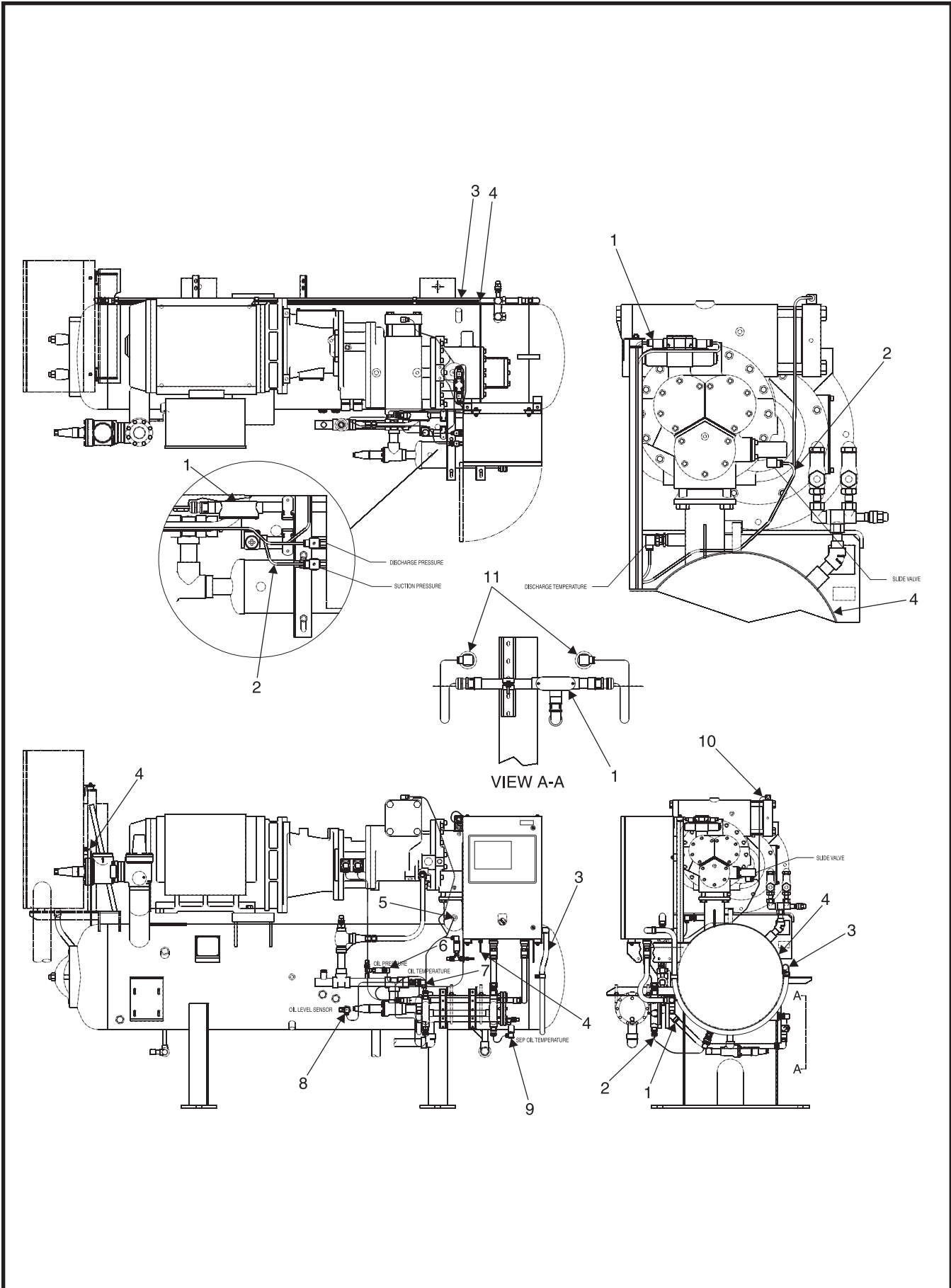


Figure 19. Wiring Harness Assembly, RXF 58 — 101.

FIG. & INDEX	ITEM NUMBER	DESCRIPTION	QTY.	REV.	P & I REF.
19—	649D4828	Assembly, Wire Harness, RXF 58—101	Ref.	—	
—1	649D4821H01	Wire Harness, AC to Heaters & Valves (external)	1		
—2	649D4823H01	Wire Harness, Analog Devices (external)	1		
—3	649D4820H02	Wire Harness, DBS to Quantum™ LX (RXF 58-101)	1		
—4	649A0893H01	Cable Assembly, DBS Communications to Quantum™ LX	1		
—5	639A0151H01	Sensor, Discharge Temperature*	1		
—6	913A0124H01	Transducer, 0—200 PSIA, Quantum™ LX*	1		
	913A0124H02	Transducer, 0—500 PSIA, Quantum™ LX*	1		
—7	639A0151H01	Sensor, Oil Temperature*	1		
—8	536A1419H01	Sensor, Oil Level*	1		
—9	639A0151H01	Sensor, Separator Oil Temperature*	1		
—10	639A0151H01	Sensor, Suction Temperature*	1		
—11	913A0092G01	Heater, Oil, 500W, 120VAC*	1		HTR
	913A0092G02	Heater, Oil, 1000W, 120VAC*	1		HTR
	913A0092G03	Heater, Oil, 500W, 240VAC*	1		HTR
	913A0092G04	Heater, Oil, 1000W, 240VAC*	1		HTR
* DIN Connector part number 649A0890H01					



FRICK COMPRESSOR OILS			
Number	5 Gallon	55 Gallon	330 Gallon
2A	111Q0550019	111Q0550020	333Q0001866
3	111Q0550001	111Q0550010	333Q0001861
4	—	111Q0550005	—
5	111Q0550008	111Q0550009	—
6	333Q0000940	333Q0000941	—
7	111Q0550024	111Q0550025	—
9	333Q0000850	333Q0000849	333Q0001862
9ST	333Q0001905	333Q0001904	—
10	333Q0000740	333Q0000739	—
11	333Q0000852	333Q0000851	333Q0001863
11ST	333Q0001907	333Q0001906	—
12	333Q0001141	333Q0001142	—
12B	333Q0001883	333Q0001884	—
13	333Q0001253	333Q0001254	—
14	333Q0001144	333Q0001145	—
18	—	333Q0001892	—
19	333Q0001899	333Q0001900	—
20	333Q0001902	333Q0001903	—
NG 1	—	333Q0001850	—
NG 2	—	333Q0001851	—
NG 3	—	333Q0001852	—

Oil Analysis Kit - 333Q0001853
Tube of Motor Grease - 333Q0001860

FRICK BLUE PAINT	
Size Each	Item Number
1 PT.	993A0001H01*
1 GAL.	333Q0000404
2 GAL.	333Q0000724**

* Spray Can

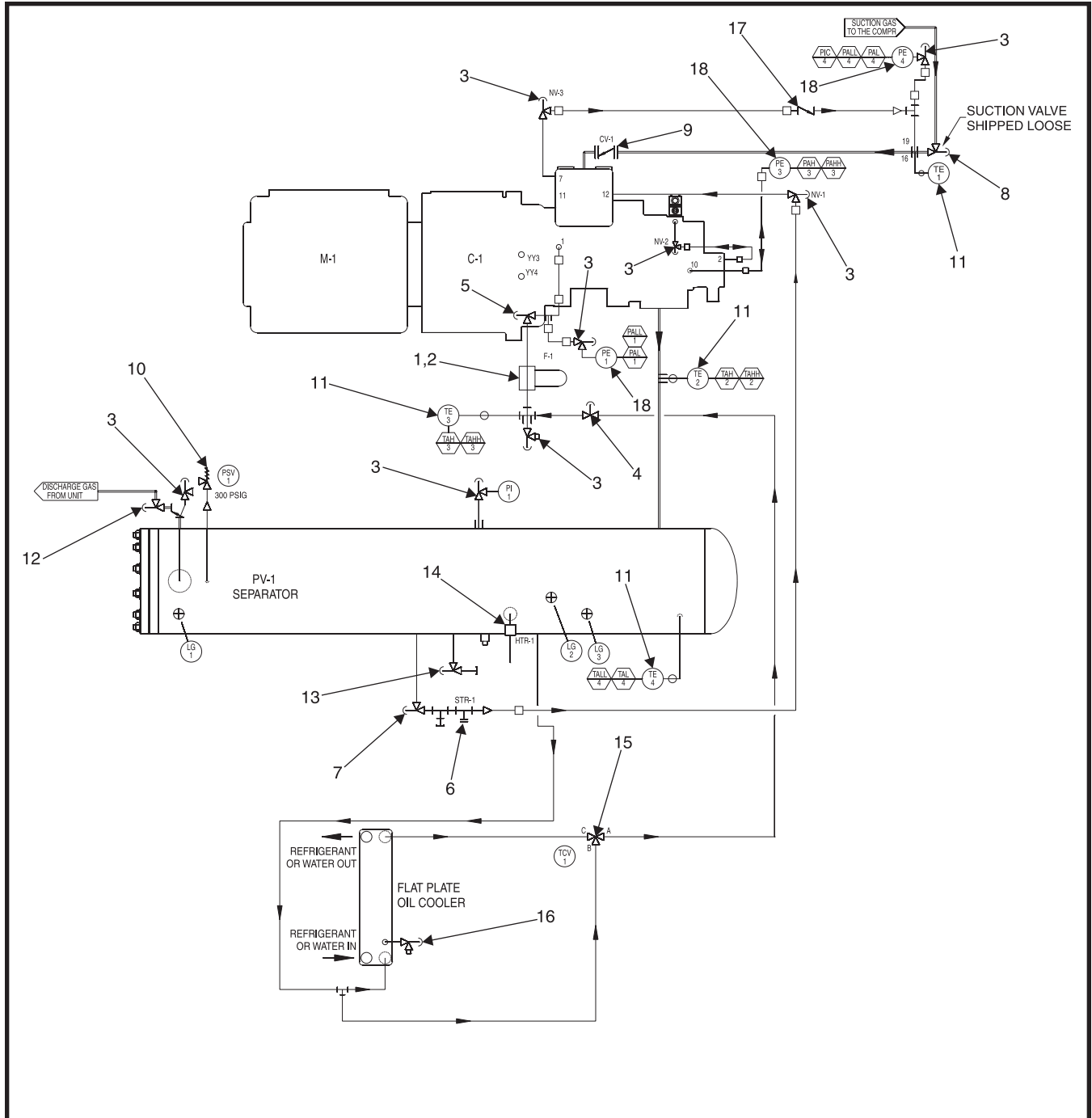
** Matte finish epoxy paint. One gallon each of resin and cure which require mixing.

FRICK FLANGE GASKETS ⁽¹⁾			
GASKET NO.	FLANGE SIZE	ID	OD
959A0057H01	1/4	29/32	1-11/32
959A0057H02	3/8 & 1/2	1-9/32	1-23/32
959A0057H03	3/4 & 1	1-21/32	2-3/32
959A0057H04	1-1/4	1-27/32	2-9/32
959A0057H05	1-1/2	2-1/8	2-3/4
959A0057H06	2-1/2	3	3-3/4
959A0057H07	2	2-1/2	3-1/4
959A0057H08	3-1/2	4-1/8	4-7/8
959A0057H09	4	4-3/4	5-1/2
959A0057H10	5	6-1/4	7
959A0057H11	6	7-3/8	8-1/8
959A0057H12	8	9-9/16	10-1/2
959A0057H13	10	11-7/8	12-15/16
959A0057H14	12	13-1/4	14-1/4
959A0057H15	14	14-3/4	16-1/32
959A0057H16	3/4	1-5/16	1-13/16
959A0057H18	3	3-5/8	4-3/8

1. Measurements in inches.

ADAPTERS - STRAIGHT THREAD TO NPTF⁽¹⁾		
Straight Thread Size	NPTF Size	Frick Part Number
9/16-18	1/4-18	944A0246H01
3/4-16	1/4-18	944A0246H02
3/4-16	3/8-18	944A0246H03
3/4-16	1/2-14	944A0246H04
7/8-14	1/4-18	944A0246H05
7/8-14	3/8-18	944A0246H06
7/8-14	1/2-14	944A0246H07
7/8-14	3/4-14	944A0246H08
1 1/16-12	1/2-14	944A0246H09
1 1/16-12	3/4-14	944A0246H10
1 3/16-12	1/2-14	944A0246H11
1 3/16-12	3/4-14	944A0246H12
1 5/16-12	1/2-14	944A0246H13
1 5/16-12	3/4-14	944A0246H14
1 5/16-12	1-11 1/2	944A0246H15
1 5/8-12	1-11 1/2	944A0246H16
1 5/8-12	1 1/4-11 1/2	944A0246H17
1 7/8-12	1-11 1/2	944A0246H18
1 7/8-12	1 1/2-11 1/2	944A0246H19
7/16-20	1/4-18	944A0246H20

1. Measurements in inches.

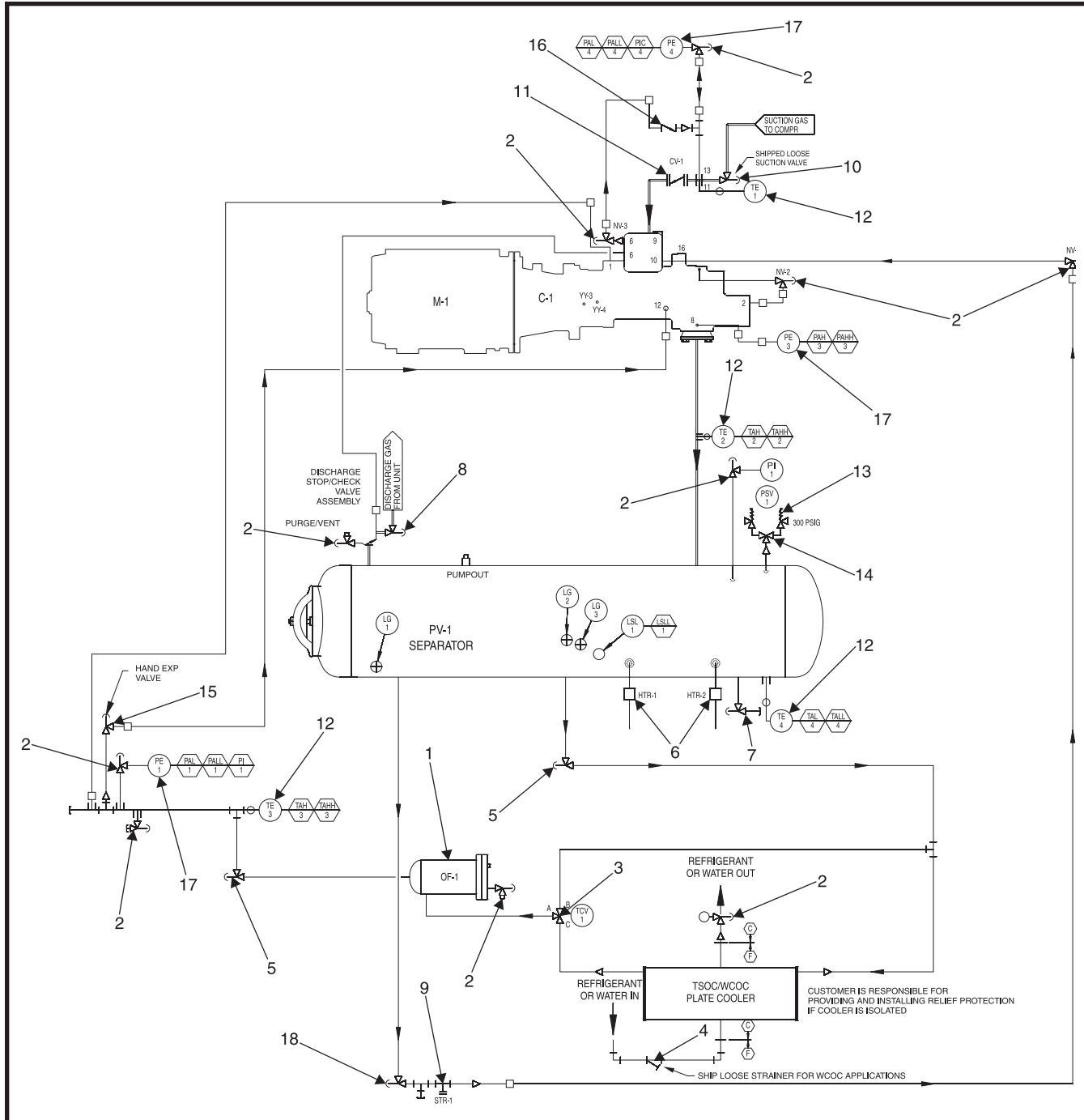


LEGEND

AS	AIR SUPPLY	PCV	PRESSURE CONTROL VALVE	TW	THERMOWELL
C	COMPRESSOR	PDSL	LOW DIFFERENTIAL PRESS. SHUTDOWN	VI	VI CONTROL
CV	CHECK VALVE	PE	PRESSURE ELEMENT	WS	WATER SUPPLY
DP	DISCHARGE PRESSURE	PI	PRESSURE INDICATOR	WV	SOLENOID VALVE/EVENT VALVE
F	FILTER OR FILTER DRIER	PIC/TIC	PRESS./TEMP. INDICATING CONTROLLER	1	MAIN OIL SUPPLY
FG	FLOW GLASS	PM	PUMP MOTOR	2	SLIDE VALVE PISTON
HTR	HEATER	PS	AUTO CYCLE/PRESSURE SWITCH	3	LOW VI LIQUID INJECTION
HV	HAND ACTUATED VALVE	PSV	PRESSURE SAFETY VALVE	4	HIGH VI LIQUID INJECTION
LG	SIGHT OR LEVEL GLASS	SP	SUCTION PRESSURE	5	ECONOMIZER
LSL	OIL LEVEL SWITCH LOW	STR	STRAINER	6	OIL DRAIN
LSLL	LOW OIL LEVEL SHUTDOWN	TAH	HIGH TEMPERATURE ALARM	7	SUCTION PRESSURE
M	MOTOR	TAHH	HIGH TEMP. SHUTDOWN	8	CLOSED THREAD
1MC	MOTOR CONTROL CENTER	TAL	LOW TEMPERATURE ALARM	10	DISCHARGE PRESSURE
2MC	MOTOR CONTROL CENTER	TALL	LOW TEMPERATURE SHUTDOWN	11	LIQ. INJ. BLEED LINE
OP	OIL PRESSURE	TCV	TEMPERATURE CONTROL VALVE	12	COALESCER BLEED LINE
P	PUMP	TE	TEMPERATURE ELEMENT	15	VENT - UNLOADING
PAH	HIGH PRESSURE ALARM	TI	TEMPERATURE INDICATOR	16	THERMOWELL
PAHH	HIGH PRESSURE SHUTDOWN	TS	TEMPERATURE SWITCH	19	SUCTION PRESSURE
PAL	LOW PRESSURE ALARM	TSH	TEMP. SWITCH HIGH ALARM		
PALL	LOW PRESSURE SHUTDOWN	TSLL	LIQUID INJECTION SHUTOFF		

Figure 20. Piping and Instrumentation w/o Oil Pump, RXF 12 — 50.

FIG. & INDEX	ITEM NUMBER	DESCRIPTION	QTY.	REV.	P & I REF.
20—	—	Piping & Instrumentation, RXF 12—50	Ref.	—	
—1	535A0509H01	Head, Oil Filter	1		
—2	535A0354H02	Cartridge, Oil Filter, SuperFilter™ II	1		
—3	950A0292H01	Valve, Angle, Needle, SC, 1/4" MPT x 1/4" FPT	8		
—4	950A0245H03	Valve, Globe, SW, SC, 1", Danfoss ⁽⁴⁾	1		
	950A0232H22	Spare Parts Kit, Complete, 1"	1		
	950A0232H42	Spare Parts Kit, Cone, 1"	1		
	950A0232H32	Spare Parts Kit, Packing Gland, 1"	1		
	950A0233H52	Spare Parts Kit, Cap & Bonnet, 1"	1		
	950A0233H62	Spare Parts Kit, Seal Cap & Gasket, 1"	1		
—5	950A0237H02	Valve, Angle, THD, SC, 3/4", Danfoss	1		
	950A0232H21	Spare Parts Kit, Complete, 3/4"	1		
	950A0232H41	Spare Parts Kit, Cone, 3/4"	1		
	950A0232H31	Spare Parts Kit, Packing Gland, 3/4"	1		
	950A0233H51	Spare Parts Kit, Cap & Bonnet, 3/4"	1		
	950A0233H61	Spare Parts Kit, Seal Cap & Gasket, 3/4"	1		
	950A0237H03	Valve, Angle, THD, SC, 1", Danfoss	1		
	950A0232H22	Spare Parts Kit, Complete, 1"	1		
	950A0232H42	Spare Parts Kit, Cone, 1"	1		
	950A0232H32	Spare Parts Kit, Packing Gland, 1"	1		
	950A0233H52	Spare Parts Kit, Cap & Bonnet, 1"	1		
	950A0233H62	Spare Parts Kit, Seal Cap & Gasket, 1"	1		
—6	950A0019H01	Strainer, 1/2" FPT	1		STR
	950A0019H02	Gasket, Flange	1		
	950A0019H03	Gasket, Screen	1		
	950A0019H04	Kit, Screen w/Gasket	1		
—7	950A0233H01	Valve, Angle, SW, SC, 1/2"	1		
	950A0232H21	Spare Parts Kit, Complete, 1/2"	1		
	950A0232H41	Spare Parts Kit, Cone, 1/2"	1		
	950A0232H31	Spare Parts Kit, Packing Gland, 1/2"	1		
	950A0233H51	Spare Parts Kit, Cap & Bonnet, 1/2"	1		
	950A0233H61	Spare Parts Kit, Seal Cap & Gasket, 1/2"	1		
—8	950A0241H07	Valve, WIL, Angle, SC, 2-1/2" Danfoss (See Figure 18)	1		
	950A0241H08	Valve, WIL, Angle, SC, 3" Danfoss (See Figure 18)	1		
	950A0241H09	Valve, WIL, Angle, SC, 4" Danfoss (See Figure 18)	1		
—9	956A0051H01	Valve, Check, 2 1/2, ANSI Class 125, RXF 12 ⁽¹⁾	1		
	956A0051H02	Valve, Check, 3, ANSI Class 125, RXF 15—24 ⁽¹⁾	1		
	956A0051H03	Valve, Check, 4, ANSI Class 125, RXF 30—50 ⁽¹⁾	1		
—10	952A0051H10	Valve, Safety, 1/2" 300#	1		PSV
	952A0052H10	Valve, Safety, 3/4" 300#	1		PSV
—11	639A0151G01	Assembly, Sensor, Temperature	4		TE
	639A0151H01	Sensor, Temperature (Less DIN Connector)	4		
	649A0890H01	Connector, DIN (with M3 connection for shielded cable)	4		
	649A0890H11	Gasket, DIN	4		
	913A0100H01	Thermal Compound, Temperature Sensor	A/R		
—12	—	Valve, Discharge Stop/Check (See Figure 18)	1		
—13	950A0233H02	Valve, Angle, SW, SC, 3/4"	1		
	950A0232H21	Spare Parts Kit, Complete, 3/4"	1		
	950A0232H41	Spare Parts Kit, Cone, 3/4"	1		
	950A0232H31	Spare Parts Kit, Packing Gland, 3/4"	1		
	950A0233H51	Spare Parts Kit, Cap & Bonnet, 3/4"	1		
	950A0233H61	Spare Parts Kit, Seal Cap & Gasket, 3/4"	1		
—14	913A0047H01	Heater, Oil, 500W, 120VAC, w/DIN	1		HTR
	913A0047H02	Heater, Oil, 1000W, 120VAC, w/DIN	1		HTR
	913A0047H03	Heater, Oil, 500W, 240VAC, w/DIN	1		HTR
	913A0047H04	Heater, Oil, 1000W, 240VAC, w/DIN	1		HTR
—15	950A0282H01	Valve, Temperature Regulating, 1" SW, 120°F, Hansen	1		
	950A0282H11	Kit, Service, consisting of Thermostat and Gasket	1		
—16	950A0292H03	Valve, Angle, S.C., Stop, Needle, 1/2 MPT, Danfoss	1		
—17	956A0052H01	Valve, Check, 20 PSI, 3/8 NPTF	1		
	956A0052H02	Valve, Check, 45 PSI, 3/8 NPTF	1		
	956A0053H01	Valve, Check, 20 PSI, 1/2 NPTF	1		
	956A0053H01	Valve, Check, 45 PSI, 1/2 NPTF	1		
—18	913A0124H01	Transducer, Pressure, 0—200 PSIA	2		PE
	913A0124H02	Transducer, Pressure, 0—500 PSIA	2		PE



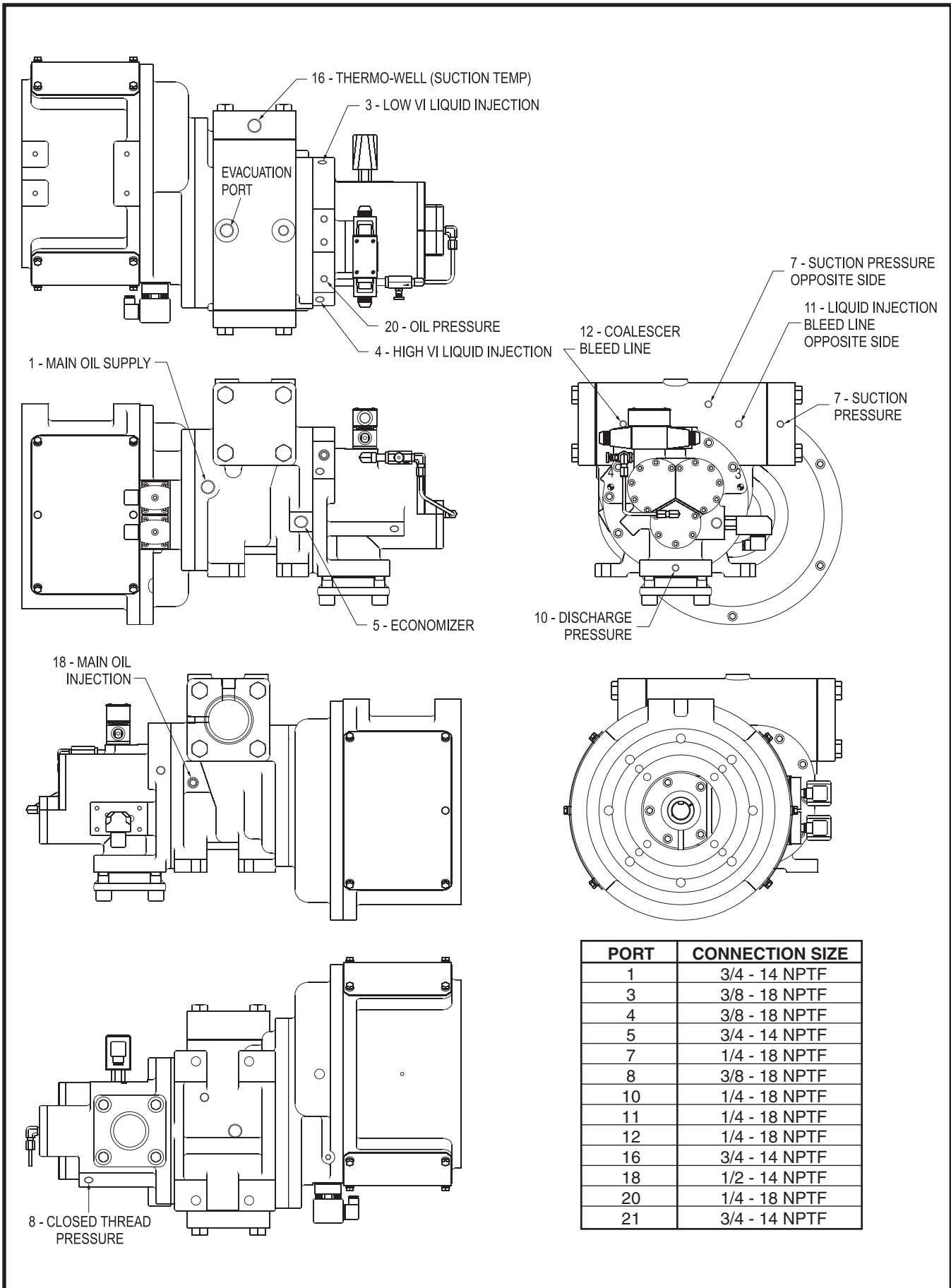
LEGEND

AS	AIR SUPPLY	PCV	PRESSURE CONTROL VALVE	TW	THERMOWELL
C	COMPRESSOR	PDSLL	LOW DIFFERENTIAL PRESS. SHUTDOWN	VI	VI CONTROL
CV	CHECK VALVE	PE	PRESSURE ELEMENT	WS	WATER SUPPLY
DP	DISCHARGE PRESSURE	PI	PRESSURE INDICATOR	YY	SOLENOID VALVE/EVENT VALVE
F	FILTER OR FILTER DRIER	PIC/TIC	PRESS./TEMP. INDICATING CONTROLLER	1	MAIN OIL SUPPLY
FG	FLOW GLASS	PM	PUMP MOTOR	2	SLIDE VALVE PISTON
HTR	HEATER	PS	AUTO CYCLE/PRESSURE SWITCH	3	LOW VI LIQUID INJECTION
HV	HAND ACTUATED VALVE	PSV	PRESSURE SAFETY VALVE	4	HIGH VI LIQUID INJECTION
LG	SIGHT OR LEVEL GLASS	SP	SUCTION SAFETY VALVE	5	ECONOMIZER
LSL	OIL LEVEL SWITCH LOW	STR	STRAINER	6	SUCTION PRESSURE
LSLL	LOW OIL LEVEL SHUTDOWN	TAH	HIGH TEMPERATURE ALARM	7	CLOSED THREAD
M	MOTOR	TAHH	HIGH TEMP. SHUTDOWN	8	DISCHARGE PRESSURE
1MC	MOTOR CONTROL CENTER	TAL	LOW TEMPERATURE ALARM	9	LIQ. INJ. BLEED LINE
2MC	MOTOR CONTROL CENTER	TALL	LOW TEMPERATURE SHUTDOWN	10	COALESCER BLEED LINE
OP	OIL PRESSURE	TCV	TEMPERATURE CONTROL VALVE	11	THERMOWELL (SUCT. TEMP.)
P	PUMP	TE	TEMPERATURE ELEMENT	12	MAIN OIL INJECTION
PAH	HIGH PRESSURE ALARM	TI	TEMPERATURE INDICATOR	13	SUCTION PRESSURE
PAHH	HIGH PRESSURE SHUTDOWN	TS	TEMPERATURE SWITCH	14	SEAL WEEPAGE
PAL	LOW PRESSURE ALARM	TSH	TEMP. SWITCH HIGH ALARM	15	ELECTRICAL CONNECTION
PALL	LOW PRESSURE SHUTDOWN	TSLL	LIQUID INJECTION SHUTOFF	16	OIL PRESSURE

Figure 21. Piping and Instrumentation w/o Oil Pump, RXF 58 — 101.

FIG. & INDEX	ITEM NUMBER	DESCRIPTION	QTY.	REV.	P & I REF.
21—	—	Piping & Instrumentation, RXF 58—101	Ref.	—	
—1	—	Oil Filter (See Figure 13)	1		
—2	950A0292H01	Valve, Angle, Needle, SC, 1/4" MPT x 1/4" FPT	8		
—3	950A0195H01	Valve, Temperature Control, Hansen, 1-1/2" SW	1		TCV
	950A0195H11	Thermostat and Gasket Kit, Hansen	1		
	950A0195H03	Valve, Temperature Control, FPE, 1-1/2" SW	1		
	950A0195H12	Element, Lip Seal, & Housing Seal Kit, FPE	1		
—4	950A0075H06	Strainer, Y-type, 2" Flanged	1		
	950A0075H26	Screen, Strainer, 2"	1		
	950A0075H46	Gasket, Strainer, 2"	1		
	950A0075H08	Strainer, Y-type, 3" Flanged	1		
	950A0075H28	Screen, Strainer, 3"	1		
	950A0075H48	Gasket, Strainer, 3"	1		
—5	950A0233H04	Valve, Angle, Seal Cap, 1-1/4", Danfoss	1		
	950A0233H05	Valve, Angle, Seal Cap, 1-1/2", Danfoss	1		
	950A0232H22	Spare Parts Kit, Complete, 1-1/4 & 1-1/2"	1		
	950A0232H42	Spare Parts Kit, Cone, 1-1/4 & 1-1/2"	1		
	950A0232H32	Spare Parts Kit, Packing Gland, 1-1/4 & 1-1/2"	1		
	950A0233H52	Spare Parts Kit, Cap & Bonnet, 1-1/4 & 1-1/2"	1		
	950A0233H62	Spare Parts Kit, Seal Cap & Gasket, 1-1/4 & 1-1/2"	1		
—6	913A0092G01	Heater, Oil, 500W, 120VAC, w/DIN	1		HTR
	913A0092G02	Heater, Oil, 1000W, 120VAC, w/DIN	1		HTR
	913A0092G03	Heater, Oil, 500W, 240VAC, w/DIN	1		HTR
	913A0092G04	Heater, Oil, 1000W, 240VAC, w/DIN	1		HTR
—7	950A0233H03	Valve, Angle, SW, SC, 1", Danfoss	1		
	950A0232H22	Spare Parts Kit, Complete, 1"	1		
	950A0232H42	Spare Parts Kit, Cone, 1"	1		
	950A0232H32	Spare Parts Kit, Packing Gland, 1"	1		
	950A0233H52	Spare Parts Kit, Cap & Bonnet, 1"	1		
	950A0233H62	Spare Parts Kit, Seal Cap & Gasket, 1"	1		
—8	—	Valve, Discharge Stop/Check (See Figure 18)	1		
—9	950A0019H01	Strainer, 1/2" FPT	1		STR
	950A0019H02	Gasket, Flange	1		
	950A0019H03	Gasket, Screen	1		
	950A0019H04	Kit, Screen w/Gasket	1		
—10	950A0241H09	Valve, WIL, Angle, SC, 4", Danfoss (See Fig. 18)	1		
	950A0241H10	Valve, WIL, Angle, SC, 5", Danfoss (See Fig. 18)	1		
—11	956A0051H04	Valve, Check, 5", ANSI Class 125, RXF 58—101	1		
—12	639A0151G01	Assembly, Temperature Sensor	4		TE
	639A0151H01	Sensor, Temperature, less Well	4		
	913A0098H01	Well only	4		
	649A0890H01	DIN Connector	4		
	649A0890H11	DIN Gasket	4		
	913A0100H01	Thermal Compound	A/R		
—13	952A0051H10	Valve, Safety Relief 813, 1/2" FPT in x 1" FPT out	2		
	952A0052H10	Valve, Safety Relief 814, 3/4" FPT in x 1 1/4" FPT out	2		
	952A0053H09	Valve, Safety Relief 815, 1" FPT in x 1 1/2" FPT out	2		
	952A0055H07	Valve, Safety Relief 851, 1" MPT in x 2" MPT out	2		
—14	955B0005H01	Valve, Shutoff, Three-way, 1/2"	1		
	955B0005H02	Valve, Shutoff, Three-way, 3/4"	1		
	955B0005H03	Valve, Shutoff, Three-way, 1"	1		
—15	954A0062H03	Valve, Hand Expansion, 1" SW/FPT	1		
	954A0062H23	Kit, Bonnet O-ring & Cap Gasket	1		
	954A0062H28	Kit, Gaskets Complete*	1		
	954A0062H33	Kit, Packing Gland, Gaskets, O-rings	1		
	954A0062H38	Kit, Cap & Gasket	1		
—16	956A0052H01	Valve, Check, 20 PSI, 3/8 NPTF	1		
	956A0052H02	Valve, Check, 45 PSI, 3/8 NPTF	1		
	956A0053H01	Valve, Check, 20 PSI, 1/2 NPTF	1		
	956A0053H01	Valve, Check, 45 PSI, 1/2 NPTF	1		
—17	913A0124H01	Transducer, Pressure, 0—200 PSIA	2		PE
	913A0124H02	Transducer, Pressure, 0—500 PSIA	2		PE
—18	950A0233H01	Valve, Angle, SW, SC, 1/2" (For repair kits see item 20-7)	1		

* Includes Cone complete w/steel balls & allen screw, gaskets complete for packing gland, O-ring for housing/bonnet, gasket for cap, distance ring, & allen key.



PORT	CONNECTION SIZE
1	3/4 - 14 NPTF
3	3/8 - 18 NPTF
4	3/8 - 18 NPTF
5	3/4 - 14 NPTF
7	1/4 - 18 NPTF
8	3/8 - 18 NPTF
10	1/4 - 18 NPTF
11	1/4 - 18 NPTF
12	1/4 - 18 NPTF
16	3/4 - 14 NPTF
18	1/2 - 14 NPTF
20	1/4 - 18 NPTF
21	3/4 - 14 NPTF

Figure 20. RXF 12—19, XJF 95 Port Locations.

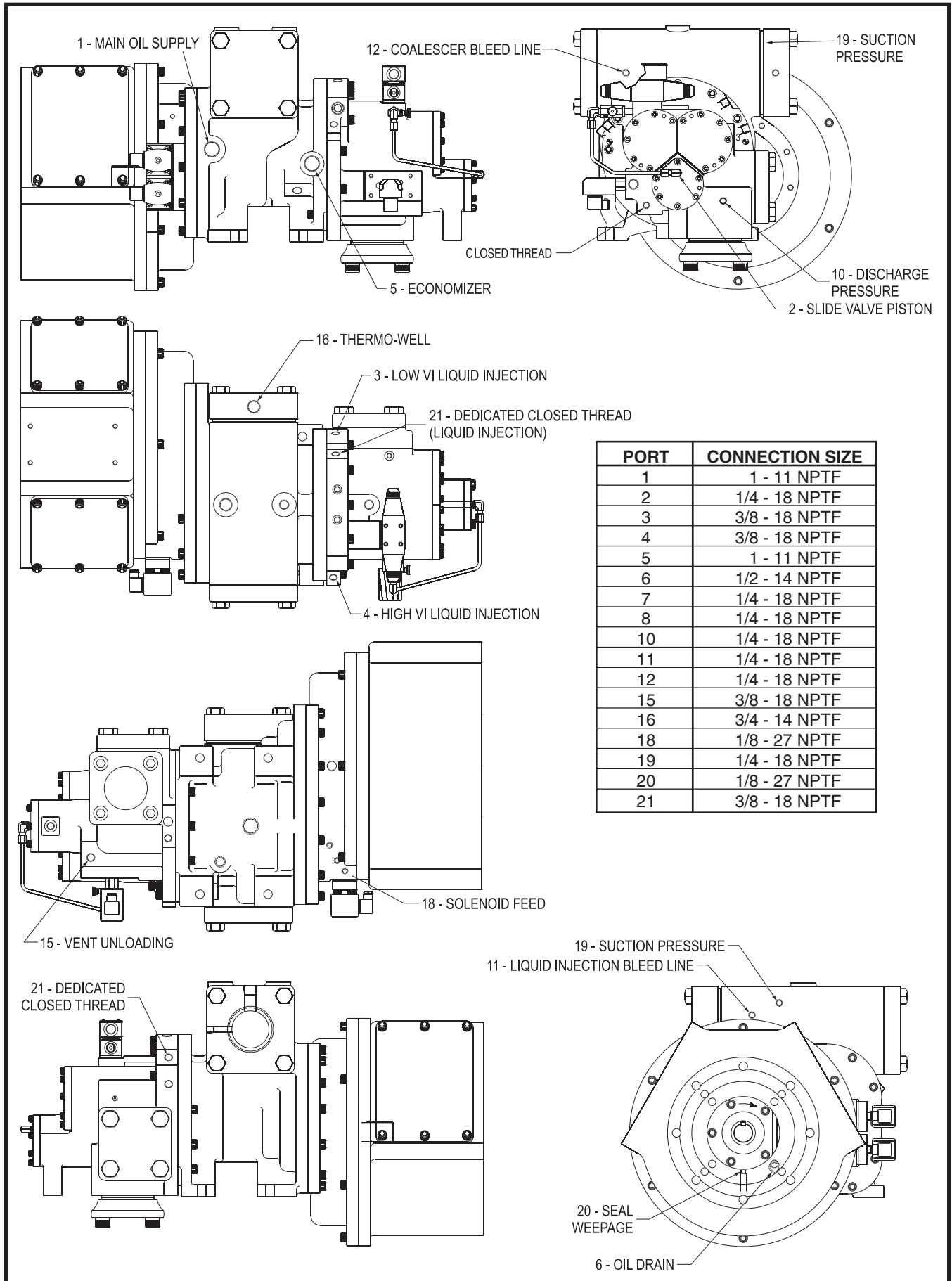


Figure 21. RXF 24—50, XJF 120 Port Locations.

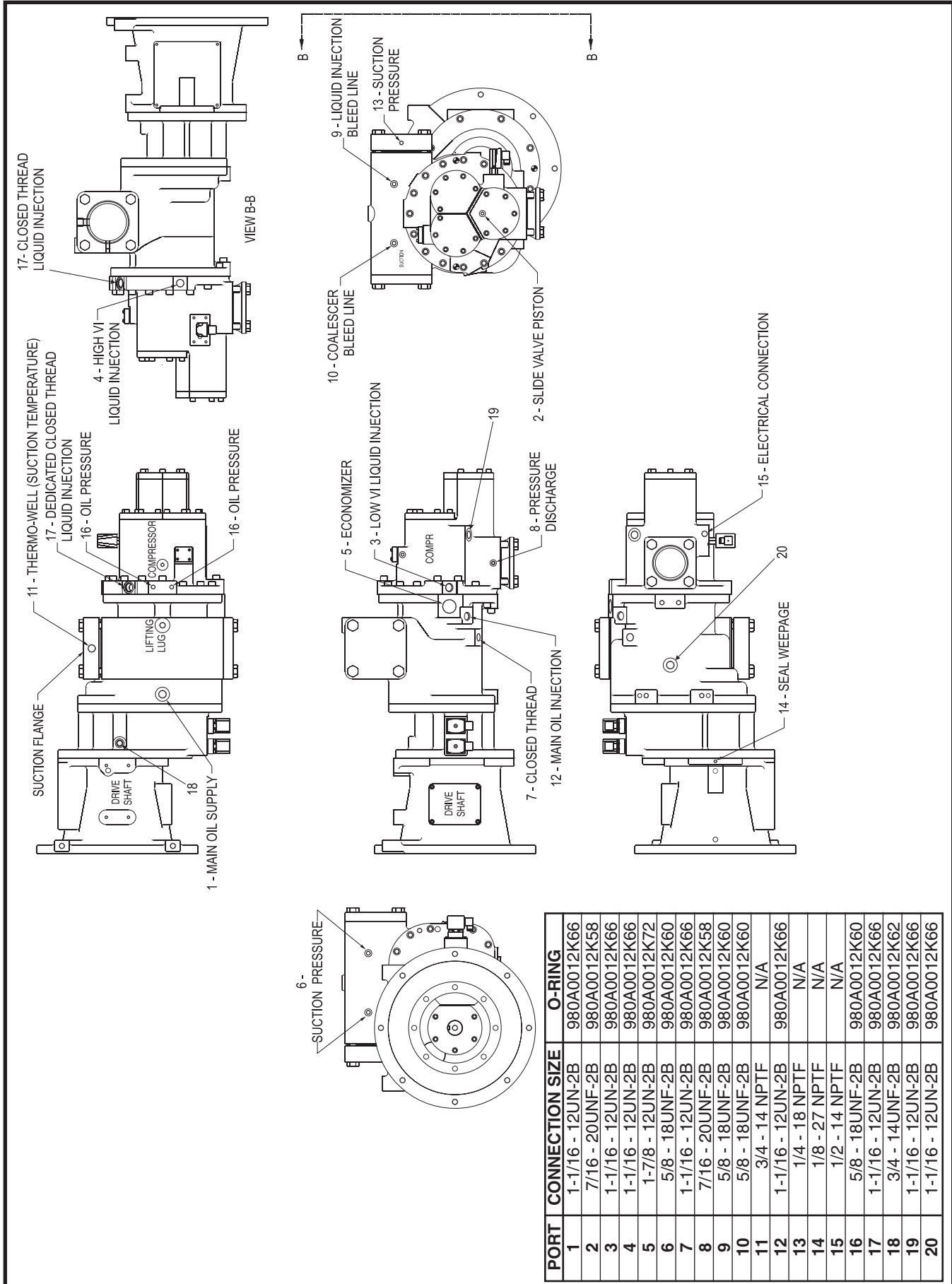


Figure 22. RXF 58—101, XJF 151 Port Locations & O-rings.

ITEM NUMBER	FIG. & INDEX NO.	ITEM NUMBER	FIG. & INDEX NO.	ITEM NUMBER	FIG. & INDEX NO.
111Q0043229	3—22	535A0354H02	1—2	649A0890H01	3—8
111Q0043231	3—22	535A0354H02	20—2	649A0890H01	4—8
111Q0740737	4—25	535A0356H01	1—18	649A0890H01	5—17
111Q0740740	3—20	535A0378H01	13—3	649A0890H01	6—12
111Q0740741	3—14	535A0509H01	1—1	649A0890H01	6—15
111Q0740772	3—14	535A0509H01	20—1	649A0890H01	20—11
111Q0740781	4—14	535M0197G01	10—1	649A0890H01	21—12
111Q0993344	3—9	536A1419H01	5—22	649A0890H11	1—13
111Q0993344	4—9	536A1419H01	19—8	649A0890H11	2—14
333Q0000738	3—20	540D0217G02	5—8	649A0890H11	5—17
333Q0000738	4—20	540D0217G02	6—11	649A0890H11	6—12
531A0105H03	6—1	540D0217G02	6—11	649A0890H11	6—15
531A0105H04	6—1	540D0217G03	6—9	649A0890H11	20—11
531A0224H02	13—1	540D0217G03	6—9	649A0890H11	21—12
531B0065H06	5—10	540D0217H06	5—7	649A0893H01	19—4
531B0099H01	6—10	540D0217H06	6—7	649D4820H02	19—3
531B0099H01	6—10	540D0217H06	6—7	649D4821H01	19—1
531B0099H02	5—10	547D0485G01	7—1	649D4823H01	19—2
534A0154H01	3—10	547D0486G01	7—1	720A0013	5—18
534A0171H01	3—10	547D0487G01	7—1	901A0046D08	9—13
534A0506H01	3—20	547D0493G01	7—1	901A0046D09	9—13
534A0506H01	4—20	547D0494G01	7—1	901A0085H04	3—20
534A0565H01	4—10	547D0500G01	7—1	901A0085H04	4—20
534A0566H01	4—19	547D0501G01	7—1	901A0085H19	3—11
534A0567H01	4—19	547D0504G01	7—1	901A0085H19	4—11
534A0883H01	3—17	547D0691G01	7—1	901A0089H01	3—26
534A0883H01	4—17	547D0714G01	7—1	901A0098H16	7—4
534B0149H01	4—26	547D0715G01	7—1	901A0098H19	7—4
534B0151H01	4—27	547D0723G01	9—1	901A0098H21	7—4
534B0527H01	4—4	547D0724G01	9—1	901A0098H22	7—4
534B0986H01	3—15	548A0068G01	5—9	901A0099H07	5—2
534B0987H01	3—15	548C0147G02	5—9	901A0172H03	9—9
534B1023H01	4—15	548C0150G02	5—8	901A0172H03	12—7
534B1088H01	3—23	548C0509H04	5—1	901A0234H20	3—3
534B1088H01	4—22	548C0509H05	5—1	901A0234H20	4—3
534B1092H01	3—24	580C0404	6—12	902A0021H01	5—5
534B1092H01	4—23	580C0424	6—12	902A0021H01	6—8
534C0408G01	3—4	580C0425	6—12	902A0021H01	6—8
534C0428G01	3—4	580C0426	6—12	902A0021H02	5—3
534C0660H01	3—19	582C0029	6—3	902A0021H03	7—5
534C0709H01	3—19	582C0030	6—3	902A0021H03	9—14
534C1011H01	3—19	639A0151G01	1—13	905A0012H05	5—6
534C1062C01	4—29	639A0151G01	2—14	905A0012H05	6—6
534C1552H01	3—18	639A0151G01	5—17	905A0012H05	6—6
534C1552H01	4—18	639A0151G01	20—11	913A0047H01	5—12
534C1868H01	3—27	639A0151G01	21—12	913A0047H01	20—14
534C1870H01	3—27	639A0151H01	1—13	913A0047H02	5—12
534C1872H01	3—27	639A0151H01	2—14	913A0047H02	20—14
534C1874H01	3—27	639A0151H01	5—17	913A0047H03	5—12
534C1875H01	4—28	639A0151H01	6—15	913A0047H03	20—14
534D0349C01	3—28	639A0151H01	19—5	913A0047H04	5—12
534E0273C01	3—25	639A0151H01	19—7	913A0047H04	20—14
534E0437C01	3—25	639A0151H01	19—9	913A0092G01	6—17
534E0521C01	4—24	639A0151H01	19—10	913A0092G01	19—11
534M0602G02	4—21	639A0151H01	20—11	913A0092G01	21—6
535A0015H01	5—19	639A0151H01	21—12	913A0092G02	6—17
535A0181H09	5—20	649A0890H01	1—13	913A0092G02	19—11
535A0181H10	5—20	649A0890H01	2—14	913A0092G02	21—6

RXF ROTARY SCREW COMPRESSOR UNIT
NUMERICAL PARTS LIST



ITEM NUMBER	FIG. & INDEX NO.	ITEM NUMBER	FIG. & INDEX NO.	ITEM NUMBER	FIG. & INDEX NO.
913A0092G03	6—17	947A0003H04	6—2	950A0232H21	5—13
913A0092G03	19—11	950A0001H05	15—2	950A0232H21	5—14
913A0092G03	21—6	950A0001H06	15—2	950A0232H21	6—4
913A0092G04	6—17	950A0001H08	15—2	950A0232H21	7—10
913A0092G04	19—11	950A0019H01	1—12	950A0232H21	10—4
913A0092G04	21—6	950A0019H01	2—12	950A0232H21	11—1
913A0098H01	1—13	950A0019H01	20—6	950A0232H21	11—2
913A0098H01	2—14	950A0019H01	21—9	950A0232H21	20—5
913A0098H01	5—18	950A0019H02	1—12	950A0232H21	20—7
913A0098H01	6—16	950A0019H02	2—12	950A0232H21	20—13
913A0098H01	21—12	950A0019H02	20—6	950A0232H22	1—15
913A0100H01	1—13	950A0019H02	21—9	950A0232H22	1—16
913A0100H01	2—14	950A0019H03	1—12	950A0232H22	2—11
913A0100H01	5—17	950A0019H03	2—12	950A0232H22	2—15
913A0100H01	6—15	950A0019H03	20—6	950A0232H22	6—5
913A0100H01	20—11	950A0019H03	21—9	950A0232H22	7—10
913A0100H01	21—12	950A0019H04	1—12	950A0232H22	7—11
913A0123H01	6—12	950A0019H04	2—12	950A0232H22	9—2
913A0123H11	6—12	950A0019H04	20—6	950A0232H22	10—4
913A0124H01	16—1	950A0019H04	21—9	950A0232H22	10—4
913A0124H01	19—6	950A0065H05	10—5	950A0232H22	11—1
913A0124H01	20—18	950A0068H25	9—5	950A0232H22	11—2
913A0124H01	21—17	950A0069H04	10—3	950A0232H22	12—1
913A0124H02	16—1	950A0069H05	10—3	950A0232H22	14—2
913A0124H02	19—6	950A0069H06	10—3	950A0232H22	15—3
913A0124H02	20—18	950A0069H07	9—5	950A0232H22	20—4
913A0124H02	21—17	950A0069H07	12—3	950A0232H22	20—5
914A0015H01	9—15	950A0069H22	10—3	950A0232H22	21—5
914A0015H01	10—1	950A0069H23	10—3	950A0232H22	21—7
914A0015H01	12—8	950A0069H24	10—3	950A0232H31	1—11
914A0015H02	10—1	950A0069H25	12—3	950A0232H31	1—15
914A0015H02	10—1	950A0069H34	10—3	950A0232H31	5—13
914A0015H05	9—15	950A0069H35	10—3	950A0232H31	5—14
914A0015H05	10—1	950A0069H36	10—3	950A0232H31	6—4
914A0015H05	12—8	950A0069H37	9—5	950A0232H31	7—10
914A0015H06	9—15	950A0069H37	12—3	950A0232H31	10—4
914A0015H06	10—1	950A0075H06	9—10	950A0232H31	11—1
914A0015H06	12—8	950A0075H06	21—4	950A0232H31	11—2
914A0015H07	10—1	950A0075H08	9—10	950A0232H31	20—5
914A0015H08	10—1	950A0075H08	21—4	950A0232H31	20—7
914A0057H01	10—1	950A0075H26	9—10	950A0232H31	20—13
914A0057H02	10—1	950A0075H26	21—4	950A0232H32	1—15
914A0057H02	10—1	950A0075H28	9—10	950A0232H32	1—16
944A0010H01	5—21	950A0075H28	21—4	950A0232H32	2—11
944A0108H05	9—7	950A0075H46	9—10	950A0232H32	2—15
944A0108H05	12—5	950A0075H46	21—4	950A0232H32	6—5
944A0126H06	9—11	950A0075H48	9—10	950A0232H32	7—10
944A0126H08	9—11	950A0075H48	21—4	950A0232H32	7—11
944A0246H15	1—17	950A0195H01	9—3	950A0232H32	9—2
944A0246H19	15—5	950A0195H01	21—3	950A0232H32	10—4
944A0296H08	4—13	950A0195H03	9—3	950A0232H32	10—4
944A0358H04	3—12	950A0195H03	21—3	950A0232H32	11—1
944A0358H05	3—12	950A0195H11	9—3	950A0232H32	11—2
944A0360G10	7—8	950A0195H11	21—3	950A0232H32	12—1
944A0360G10	15—4	950A0195H12	9—3	950A0232H32	14—2
944A0360G11	7—8	950A0195H12	21—3	950A0232H32	15—3
944A0360G11	15—4	950A0232H21	1—11	950A0232H32	20—4
947A0003H04	5—16	950A0232H21	1—15	950A0232H32	20—5

ITEM NUMBER	FIG. & INDEX NO.	ITEM NUMBER	FIG. & INDEX NO.	ITEM NUMBER	FIG. & INDEX NO.
950A0232H32	21—5	950A0233H51	1—15	950A0233H62	20—5
950A0232H32	21—7	950A0233H51	5—13	950A0233H62	21—5
950A0232H41	1—11	950A0233H51	5—14	950A0233H62	21—7
950A0232H41	1—15	950A0233H51	6—4	950A0237H02	1—15
950A0232H41	5—13	950A0233H51	7—10	950A0237H02	7—10
950A0232H41	5—14	950A0233H51	10—4	950A0237H02	10—4
950A0232H41	6—4	950A0233H51	11—1	950A0237H02	20—5
950A0232H41	7—10	950A0233H51	11—2	950A0237H03	1—15
950A0232H41	10—4	950A0233H51	20—5	950A0237H03	7—10
950A0232H41	11—1	950A0233H51	20—7	950A0237H03	10—4
950A0232H41	11—2	950A0233H51	20—13	950A0237H03	20—5
950A0232H41	20—5	950A0233H52	1—15	950A0241H07	1—14
950A0232H41	20—7	950A0233H52	1—16	950A0241H07	20—8
950A0232H41	20—13	950A0233H52	2—11	950A0241H08	1—14
950A0232H42	1—15	950A0233H52	2—15	950A0241H08	20—8
950A0232H42	1—16	950A0233H52	6—5	950A0241H09	1—14
950A0232H42	2—11	950A0233H52	7—10	950A0241H09	2—13
950A0232H42	2—15	950A0233H52	7—11	950A0241H09	20—8
950A0232H42	6—5	950A0233H52	9—2	950A0241H09	21—10
950A0232H42	7—10	950A0233H52	10—4	950A0241H10	2—13
950A0232H42	7—11	950A0233H52	10—4	950A0241H10	21—10
950A0232H42	9—2	950A0233H52	11—1	950A0245H01	11—1
950A0232H42	10—4	950A0233H52	11—2	950A0245H02	11—1
950A0232H42	10—4	950A0233H52	12—1	950A0245H03	1—16
950A0232H42	11—1	950A0233H52	14—2	950A0245H03	7—11
950A0232H42	11—2	950A0233H52	15—3	950A0245H03	11—1
950A0232H42	12—1	950A0233H52	20—4	950A0245H03	20—4
950A0232H42	14—2	950A0233H52	20—5	950A0245H05	11—1
950A0232H42	15—3	950A0233H52	21—5	950A0282H01	7—9
950A0232H42	20—4	950A0233H52	21—7	950A0282H01	8—3
950A0232H42	20—5	950A0233H61	1—11	950A0282H01	20—15
950A0232H42	21—5	950A0233H61	1—15	950A0282H11	7—9
950A0232H42	21—7	950A0233H61	5—13	950A0282H11	8—3
950A0233H01	1—11	950A0233H61	5—14	950A0282H11	20—15
950A0233H01	5—13	950A0233H61	6—4	950A0289G01	11—3
950A0233H01	6—4	950A0233H61	7—10	950A0289G02	11—3
950A0233H01	7—7	950A0233H61	10—4	950A0289G03	11—3
950A0233H01	20—7	950A0233H61	11—1	950A0289G04	11—3
950A0233H01	21—18	950A0233H61	11—2	950A0289G05	11—3
950A0233H02	5—14	950A0233H61	20—5	950A0289H01	11—3
950A0233H02	11—2	950A0233H61	20—7	950A0289H02	11—3
950A0233H02	20—13	950A0233H61	20—13	950A0289H11	11—3
950A0233H03	2—11	950A0233H62	1—15	950A0289H21	11—3
950A0233H03	6—5	950A0233H62	1—16	950A0289H22	11—3
950A0233H03	10—4	950A0233H62	2—11	950A0289H23	11—3
950A0233H03	11—2	950A0233H62	2—15	950A0289H31	11—3
950A0233H03	21—7	950A0233H62	6—5	950A0289H32	11—3
950A0233H04	2—15	950A0233H62	7—10	950A0289H33	11—3
950A0233H04	11—2	950A0233H62	7—11	950A0290H01	11—3
950A0233H04	15—3	950A0233H62	9—2	950A0290H02	11—3
950A0233H04	21—5	950A0233H62	10—4	950A0290H21	11—3
950A0233H05	2—15	950A0233H62	10—4	950A0290H22	11—3
950A0233H05	9—2	950A0233H62	11—1	950A0290H25	11—3
950A0233H05	12—1	950A0233H62	11—2	950A0290H25	11—3
950A0233H05	14—2	950A0233H62	12—1	950A0290H26	11—3
950A0233H05	15—3	950A0233H62	14—2	950A0290H26	11—3
950A0233H05	21—5	950A0233H62	15—3	950A0291H01	11—3
950A0233H51	1—11	950A0233H62	20—4	950A0291H02	11—3

RXF ROTARY SCREW COMPRESSOR UNIT
NUMERICAL PARTS LIST



ITEM NUMBER	FIG. & INDEX NO.	ITEM NUMBER	FIG. & INDEX NO.	ITEM NUMBER	FIG. & INDEX NO.
950A0291H21	11—3	954A0062H23	21—15	956A0025H28	15—1
950A0291H21	11—3	954A0062H28	21—15	956A0051H01	3—6
950A0292H01	1—3	954A0062H33	21—15	956A0051H01	20—9
950A0292H01	2—10	954A0062H38	21—15	956A0051H02	3—6
950A0292H01	3—21	954A0064H01	11—6	956A0051H02	20—9
950A0292H01	9—4	954A0064H11	11—6	956A0051H03	3—6
950A0292H01	11—4	954A0064H12	11—6	956A0051H03	20—9
950A0292H01	12—2	954A0065H01	11—6	956A0051H04	4—6
950A0292H01	14—3	954A0065H11	11—6	956A0051H04	21—11
950A0292H01	16—2	954A0065H11	11—6	956A0052H01	20—17
950A0292H01	20—3	954A0065H11	11—6	956A0052H01	21—16
950A0292H01	21—2	954A0065H12	11—6	956A0052H02	20—17
950A0292H03	8—2	954A0066H01	11—6	956A0052H02	21—16
950A0292H03	20—16	954A0066H11	11—6	956A0053H01	20—17
950A0293H01	11—3	954A0067H01	11—6	956A0053H01	20—17
950A0293H02	11—3	954A0067H11	11—6	956A0053H01	21—16
950A0293H03	11—3	954A0068H01	11—6	956A0053H01	21—16
951A0053G21	11—5	954A0068H11	11—6	959A0040H15	7—2
951A0053H01	11—5	954A0068H12	11—6	959A0040H16	7—2
951A0054H01	4—8	954A0070H01	11—6	959A0040H17	7—2
951A0054H01	11—5	954A0070H02	11—6	959A0040H50	7—3
951A0054H02	11—5	954A0070H03	11—6	959A0044H11	4—7
951A0054H03	4—8	954A0070H11	11—6	959A0054H06	9—12
951A0054H03	11—5	954A0070H12	11—6	959A0054H07	3—7
951A0054H04	11—5	954A0070H13	11—6	959A0054H08	3—5
951A0095G01	3—8	954A0070H14	11—6	959A0054H08	3—7
951A0095G02	3—8	954A0070H15	11—6	959A0054H08	9—12
951A0095H01	3—8	954A0070H16	11—6	959A0054H10	3—5
951A0095H02	3—8	954A0070H17	11—6	959A0054H10	3—7
951A0102H20	4—1	954A0070H18	11—6	959A0054H23	10—2
951A0103H01	4—1	954A0070H18	11—6	959A0054H25	9—8
951A0103H02	4—1	954A0070H18	11—6	959A0054H25	10—2
951A0103H05	4—2	954A0070H19	11—6	959A0054H25	12—6
951A0103H06	4—2	954A0070H19	11—6	959A0057H03	10—6
951A0104H01	11—3	954A0070H19	11—6	959A0057H03	10—7
951A0104H02	11—3	954A0071H01	11—6	959A0057H04	7—8
951A0104H05	11—3	954A0071H11	11—6	959A0057H04	15—1
951A0106H01	11—3	954A0071H12	11—6	959A0057H04	15—2
951A0107H01	11—3	954A0071H13	11—6	959A0057H04	15—4
951A0113H20	3—1	954A0072H01	11—6	959A0057H05	7—8
951A0114H01	3—1	954A0072H11	11—6	959A0057H05	15—1
951A0114H02	3—1	954A0072H12	11—6	959A0057H05	15—2
951A0114H05	3—2	954A0072H13	11—6	959A0057H05	15—4
951A0114H06	3—2	955B0005H01	6—14	959A0057H06	3—13
952A0025H01	7—6	955B0005H01	21—14	959A0057H07	15—2
952A0051H10	5—15	955B0005H02	6—14	959A0057H09	4—12
952A0051H10	6—13	955B0005H02	21—14	959A0057H18	3—13
952A0051H10	20—10	955B0005H03	6—14	959A0082H02	13—2
952A0051H10	21—13	955B0005H03	21—14	959A0090H04	5—4
952A0052H10	5—15	956A0012G03	9—6	959A0090H05	5—4
952A0052H10	6—13	956A0012G03	12—4	960A0043H03	10—1
952A0052H10	20—10	956A0012G07	10—7	960A0043H04	10—1
952A0052H10	21—13	956A0012G08	10—7	960A0043H06	10—1
952A0053H09	6—13	956A0014H01	9—16	960A0043H11	10—1
952A0053H09	21—13	956A0014H01	12—9	960A0043H20	10—1
952A0055H07	6—13	956A0024H03	10—6	960A0043H51	10—1
952A0055H07	21—13	956A0025H22	15—1	960A0043H51	10—1
954A0062H03	21—15	956A0025H23	15—1	960A0043H53	10—1

ITEM NUMBER	FIG. & INDEX NO.	ITEM NUMBER	FIG. & INDEX NO.	ITEM NUMBER	FIG. & INDEX NO.
960A0043H53	10—1				
960A0043H53	10—1				
960A0066H11	9—15				
960A0066H11	10—1				
960A0066H11	12—8				
960A0066H20	9—15				
960A0066H20	12—8				
960A0068H11	10—1				
960A0075G01	10—1				
960A0075G03	10—1				
960A0075G04	10—1				
960A0075H01	10—1				
960A0075H41	10—1				
960A0075H51	10—1				
960A0076G01	10—1				
960A0076G05	10—1				
960A0076G07	10—1				
960A0076G08	10—1				
960A0076H01	10—1				
960A0076H41	9—15				
960A0076H41	10—1				
960A0076H41	10—1				
960A0076H41	12—8				
960A0076H51	10—1				
960A0076H51	10—1				
960A0082G01	9—15				
960A0082G01	12—8				
960A0082G02	9—15				
960A0082G02	12—8				
960A0082G03	9—15				
960A0082G03	12—8				
960A0082H01	9—15				
960A0082H01	12—8				
980A0012B91	4—5				
980A0012K62	3—16				
980A0012K62	4—16				
980A0012K69	1—17				
980A0012K69	1—18				
980A0012K72	15—6				
990A0082H01	8—1				
990A0082H02	8—1				
990A0082H03	8—1				
990A0082H04	8—1				
990A0082H05	8—1				
990A0082H06	8—1				
990A0082H07	8—1				
990A0082H08	8—1				
990A0082H09	8—1				

