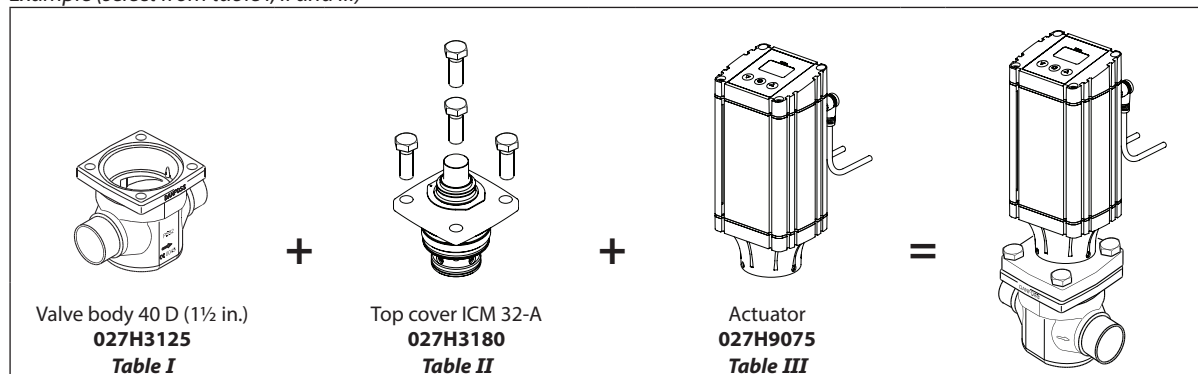



ICM 32 / ICAD 600A

Ordering from the parts programme

Example (select from table I, II and III)



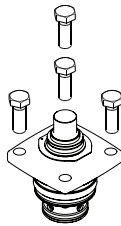
ICV 32 valve body w/different connections **Table I**



32 D (1 1/4 in.)	40 D (1 1/2 in.)	42 SA (1 3/8 in.)	42 SD (1 3/8 in.)
027H3120	027H3125	027H3127	027H3128
35 SD (1 3/8 in. SA)	32 A (1 1/4 in.)	32 SOC (1 1/4 in.)	40 A (1 1/2 in.)
027H3123	027H3121	027H3122	027H3126

Table I

ICM 32 Function module / top cover **Table II**

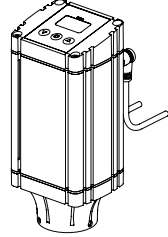


Description	Code Number
ICM 32-A	027H3180 *
ICM 32-B	027H3181 *

*) Including gasket and O-rings

Table II

Actuator ICAD 600A **Table III**



Description	Code Number
ICAD 600A with 1.5 m. / 60 in. cables	027H9075
ICAD 600A without cables	027H9120

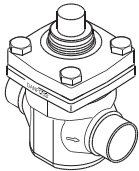
Table III

D = Butt-weld DIN ; A = Butt-weld ANSI ; J = Butt-weld JIS ;
SOC = Socket weld ANSI ; SD = Solder DIN ; SA = Solder ANSI ;
FPT = Female Pipe Thread

Ordering complete factory assembled valve without actuator

(body, function module / top cover)

Table A



Available connections								
	32 D (1 1/4 in.)	40 D (1 1/2 in.)	42 SA (1 3/8 in.)	42 SD (1 3/8 in.)	35 SD (1 3/8 in. SA)	32 A (1 1/4 in.)	32 SOC (1 1/4 in.)	40 A (1 1/2 in.)
ICM 32-A	027H3000	027H3012	027H3008		027H3006	027H3002	027H3004	
ICM 32-B	027H3001				027H3007	027H3003	027H3005	

Select from parts programme