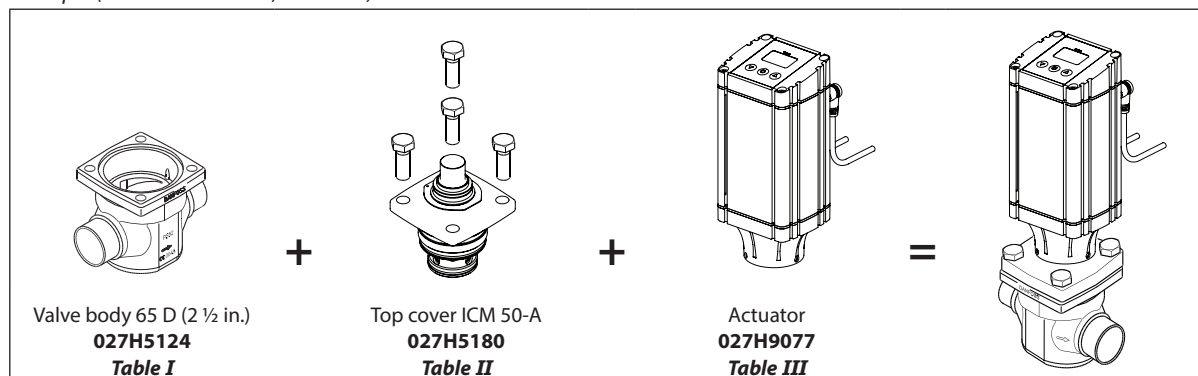


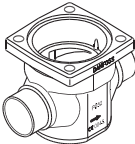
# ICM 50 / ICAD 1200A

## Ordering from the parts programme

Example (select from table I, II and III)



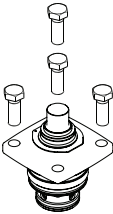
ICV 50 valve body w/different connections *Table I*



50 D (2 in.)	65 D (2 1/2 in.)	54 SD (2 1/8 in. SA)	50 A (2 in.)
<b>027H5120</b>	<b>027H5124</b>	<b>027H5123</b>	<b>027H5121</b>
50 SOC (2 in.)	65 A (2 1/2 in.)		
<b>027H5122</b>	<b>027H5125</b>		

D = Butt-weld DIN ; A = Butt-weld ANSI ; J = Butt-weld JIS ;  
SOC = Socket weld ANSI ; SD = Solder DIN ; SA = Solder ANSI ;  
FPT = Female Pipe Thread

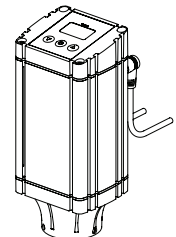
ICM 50 Function module / top cover *Table II*



Description	Code Number
ICM 50-A	<b>027H5180</b> *)
ICM 50-B	<b>027H5181</b> *)

\*) Including gasket and O-rings

Actuator ICAD 1200A *Table III*

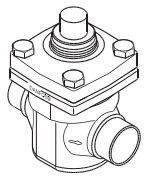


Description	Code Number
ICAD 1200A with 1.5 m. / 60 in. cables	<b>027H9077</b>
ICAD 1200A without cables	<b>027H9122</b>

## Ordering complete factory assembled valve without actuator

(body, function module / top cover)

*Table A*



	Available connections					
	50 D (2 in.)	65 D (2 1/2 in.)	54 SD (2 1/8 in. SA)	50 A (2 in.)	50 SOC (2 in.)	65 A (2 1/2 in.)
ICM 50-A	<b>027H5000</b>	<b>027H5008</b>	<b>027H5006</b>	<b>027H5002</b>	<b>027H5004</b>	
ICM 50-B	<b>027H5001</b>		<b>027H5007</b>	<b>027H5003</b>	<b>027H5005</b>	

Select from parts programme