

Electronic Controllers

Type	Description	Part No.	List Price
EKC 315A	Evaporator Controller (superheat)	084B7086	\$1,128
EKE 347	Electronic Liquid Level Control.	080G5000	\$968
EKC 361	Electronic Media Temperature Controller for stand alone control	084B7060	\$842
EKC 366	Interface Module that allows communication with customer supplied PLC	084B7076	\$491



EKC accessory for panel mounting

Description	Part No.	List Price
EKC front panel mounting kit is used for mounting an EKC controller into an existing electrical panel box so the EKC display can easily be viewed through its transparent flip up door. This door also allows easy access to change EKC settings without opening the main electrical panel box.	027F0309	\$161

AKS - Pressure Transmitters

AKS 33 (4 to 20 mA output) & AKS 32 (1 - 5 V output)

Type	Output Signal	Pressure Range	Part No.	List Price
MBS 3000	4 to 20 mA	0 to 14.5 psig	060G1563	\$315
AKS 33	4 to 20 mA	0 to 100 psia	060G3802	\$315
AKS 33	4 to 20 mA	0 to 200 psia	060G1711	\$315
AKS 33	4 to 20 mA	0 to 500 psig	060G1712	\$315
AKS 3000	4 to 20 mA	0 to 870 psig	060G1083	\$315
AKS 32	1 to 5 Vd.c.	0 to 100 psia	060G3803	\$315
AKS 32	1 to 5 Vd.c.	0 to 200 psia	060G3804	\$315
AKS 32	1 to 5 Vd.c.	0 to 500 psig	060G3805	\$315
Accessory for pressure transmitters				
Pulse snubber, 1/4 in. FPT x 1/4 in. MPT			060G0250	\$79

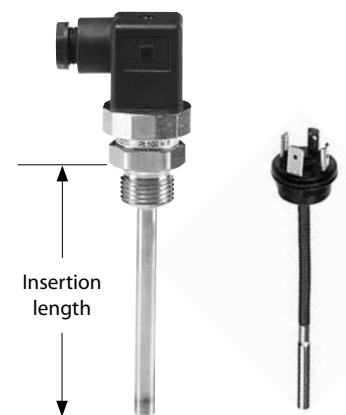
Features

- 1/4 in. male NPT connection
- DIN connector
- Stainless steel body and material in contact with medium
- Suitable for all refrigerants, including ammonia
- UL recognized for Class I, Group A, B, C, and D, Division 2
- Built-in voltage stabilizer for varying voltage supply



Temperature Sensors, PT 1000 ohm (For use with Danfoss controllers)

Type	Temperature Range	Description	Electrical connection	Part No.	List Price
AKS 21M	-94 to +356 °F	Surface/Air temperature sensor	8.2 ft. cable	084N2003	\$51
MBT 5250	-58 to +392 °F	Immersion temp. sensor with 1/2 in. NPT well, 2 in. insertion length	DIN connector	084Z3031	\$165
MBT 5250	-58 to +392 °F	Immersion temp. sensor with 1/2 in. NPT well, 4 in. insertion length	DIN connector	084Z2188	\$196
MBT 5250	-58 to +392 °F	Immersion temp. sensor with 1/2 in. NPT well, 6 in. insertion length	DIN connector	084Z2189	\$208
MBT 5250	-58 to +392 °F	Immersion temp. sensor with 1/2 in. NPT well, 8 in. insertion length	DIN connector	084Z2190	\$225



MBT 5250

Interchangeable measuring insert for MBT 5250