

Data sheet

Solenoid coils for electric expansion and solenoid valves with UL approval

Type BJ, BX, BT and BU



BJ and BX are a series of coils with UL approval. The coils are designed to be used with Danfoss electric expansion and solenoid valves.

BT and BU are dual-voltage versions with UL approval, designed to be used with Danfoss solenoid valves.

Features

- High reliability and long lifetime
- Easy mounting and dismounting
- UL approved coil range
- Covering standard voltage and frequency
- Two electrical connection versions

Approval

 us Listed

Data sheet | Solenoid coils, Type BJ, BX, BT and BU
Technical data

Design
In accordance with UL 429

Power supply
Alternating current (AC)

Permissible voltage variation
Alternating current (AC):
50 Hz and 60 Hz: -15% to +10%
50/60 Hz: ± 10%

Insulation of coil wire
Class H according to IEC 85

Connection
Junction box or Conduit boss

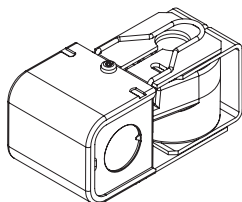
Enclosure, IEC 60529
Junction box NEMA 2 ~ IP 12-32
Conduit boss NEMA 4 ~ IP 54

Ambient temperature
-40 – 122 °F (-40 – 50 °C)

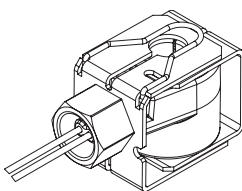
Humidity
0 – 97% non-condensation condition

Ordering

BJ and BX Coils



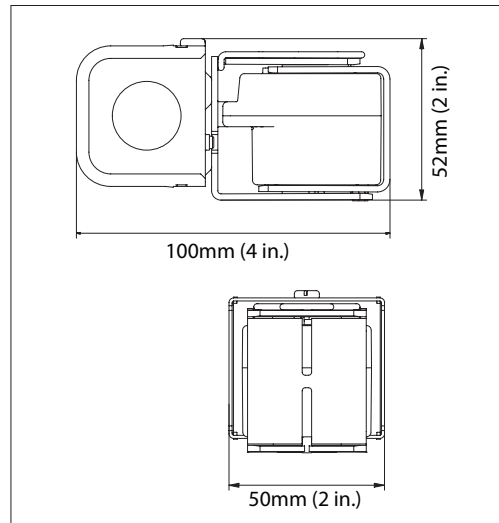
Valve type	Coil type	Wire length		Voltage [V AC]	Frequency [Hz]	Power consumption [W]	Code no.
		[in.]	[cm]				
Junction box NEMA 2							
AKV / EVR EVRH / EVRA EVRAT / EVRS EVRST / EVM EV220B 6-50 EV210B EV215B EV225B EV250B	BJ024CS	7	18	24	50 / 60	14	018F4100
	BJ120CS	7	18	110 120	50 / 60 60	16 15	018F4110
	BJ240CS	7	18	208 – 240 230	60 50	14 17	018F4120
AKVH / EVRH	BJ120BS	7	18	120	60	16	018F4130
	BJ208BS	7	18	208	60	16	018F4132
	BJ240BS	7	18	240	60	16	018F4134
Conduit boss NEMA 4							
AKV / EVR EVRH / EVRA EVRAT / EVRS EVRST / EVM EV220B 6-50 EV210B EV215B EV225B EV250B	BX024CS	18	46	24	50 / 60	14	018F4102
	BX024CS	71	180	24	50 / 60	14	018F4103
	BX024CS	98	250	24	50 / 60	14	018F4104
	BX120CS	18	46	110 120	50 / 60 60	16 15	018F4112
	BX120CS	36	91				018F4113
	BX120CS	71	180				018F4114
	BX120CS	98	250				018F4115
	BX240CS	18	46	208 – 240	60	14	018F4122
	BX240CS	98	250	230	50	17	018F4123
	AKVH / EVRH	BX120BS	98	250	120	60	16
BX208BS		98	250	208	60	16	018F4133
BX240BS		98	250	240	60	16	018F4135


Ordering

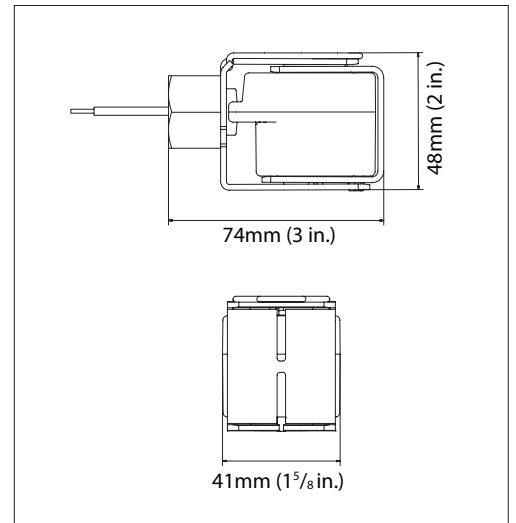
BT and BU Coils

Valve type	Coil type	Wire length		Voltage [V AC]	Frequency [Hz]	Power consumption [W]	Code no.
		[in.]	[mm]				
Junction box NEMA 2							
EVR	BT240C	7	18	110	50	12	018F4180
	BT240C	7	18	110 – 120	60	12	
	BT240C	7	18	230	50	12	
	BT240C	7	18	208 – 240	60	12	
Conduit boss NEMA 4							
EVR	BU240C	7	18	110	50	12	018F4181
	BU240C	7	18	110 – 120	60	12	
	BU240C	7	18	230	50	12	
	BU240C	7	18	208 – 240	60	12	

Dimensions and weight



Junction box
Weight 0.860 lbs / 0.39 kg



Conduit boss
Weight 0.717 lbs / 0.33 kg